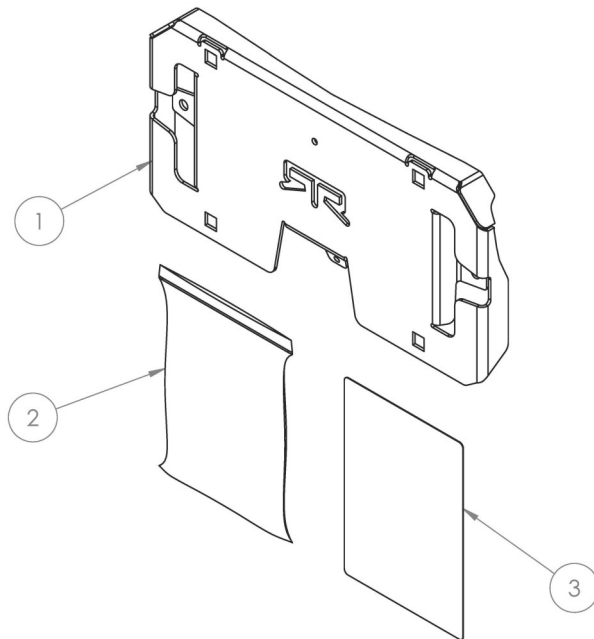




**2024 Ford Mustang  
Plate Mount for RTR Grille  
U.S. and Canada  
Part Number 11011.0012.12.A**

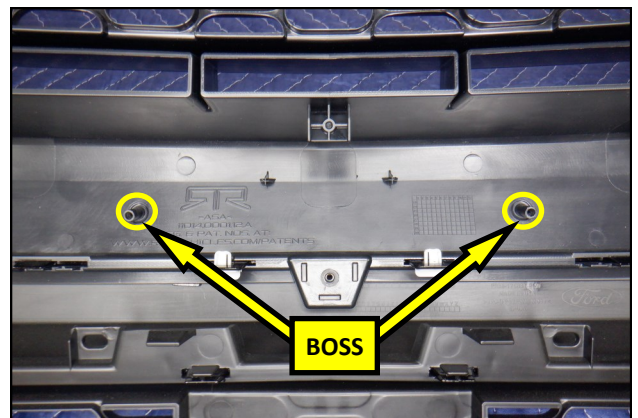


**Components Included**

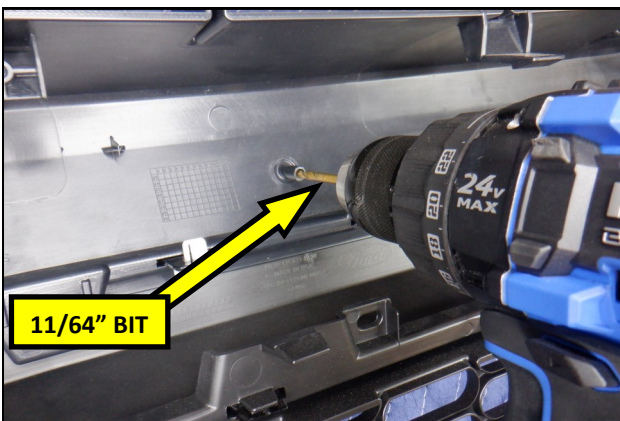
1.	Plate Mount	1
2.	Hardware Pack	1
3.	Instruction Scan Card	1



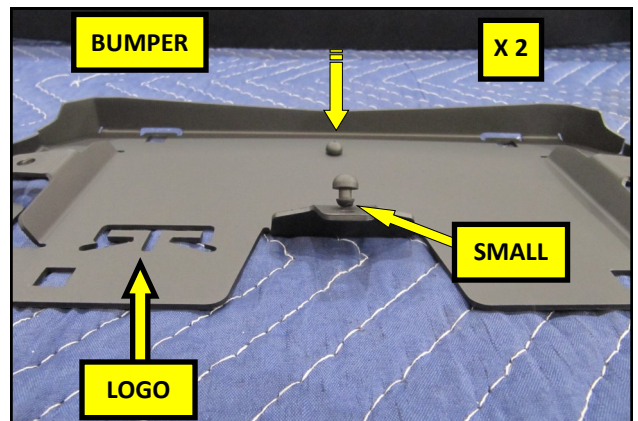
**1.** Place the bumper cover with the RTR Grille installed face down onto a padded work surface.



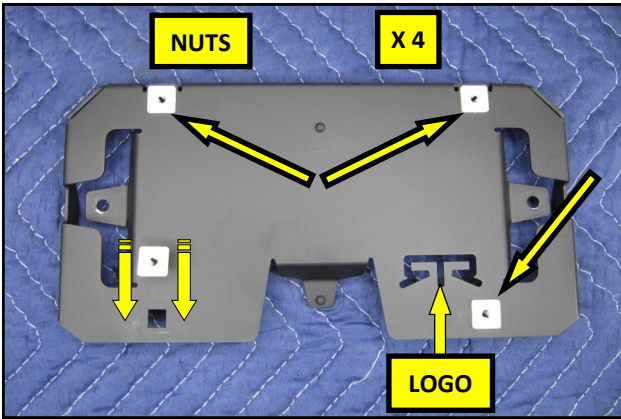
**2.** Locate the two Screw Bosses in the center of the RTR Grille.



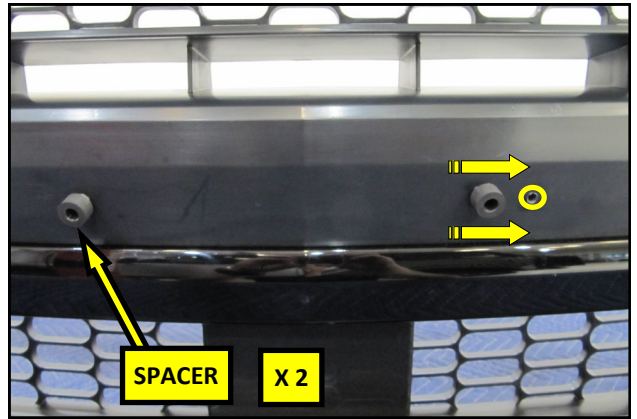
**3.** Using the Screw Bosses as guides, drill through the RTR Grille using an 11/64" bit.



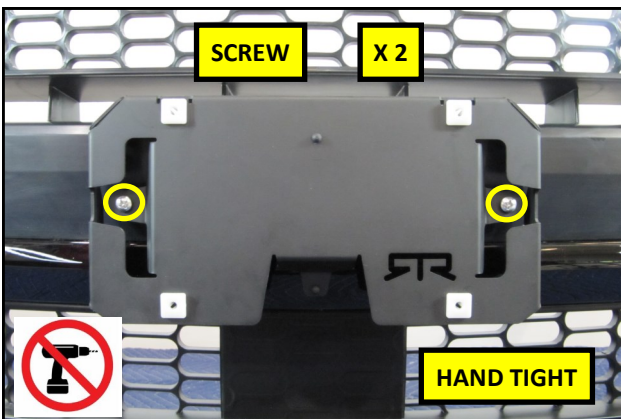
**4.** Place the RTR Mount on a padded work surface as shown, with the logo on the left-hand side. Carefully insert the Rubber Bumpers into the Mount, small side first.



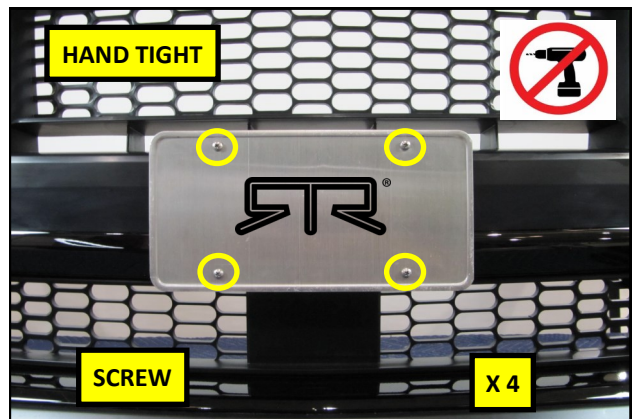
5. Turn the Mount over, with the logo on the right hand side. Insert the Snap-In Nuts into the square holes in the mount.



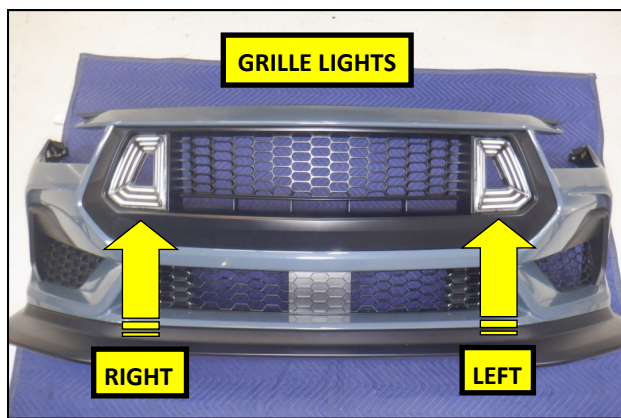
6. Place the rubber Spacers over the holes in the front of the bumper cover made in step 3 and align the holes.



7. Using the Large Phillips head Screws, secure the mount to the bumper cover, as shown. Tighten the screws until the Bumpers from step 4 come in contact with the bumper cover. Tighten by hand to avoid damaging the cover.



8. Using the 4 short Phillips head screws, secure the plate to the Mount as shown. Tighten by hand to avoid damaging the cover.  
Continue on to step 26 in the Upper Grille install Manual.



26. Inspect the lights for any damage or cosmetic flaws that may have occurred in shipping. Verify that the wiring grommets are fully seated in the housings and that the connector pins are straight. Following inspection, snap the Lights into the Grille as shown.