

Ceramic Lamp.

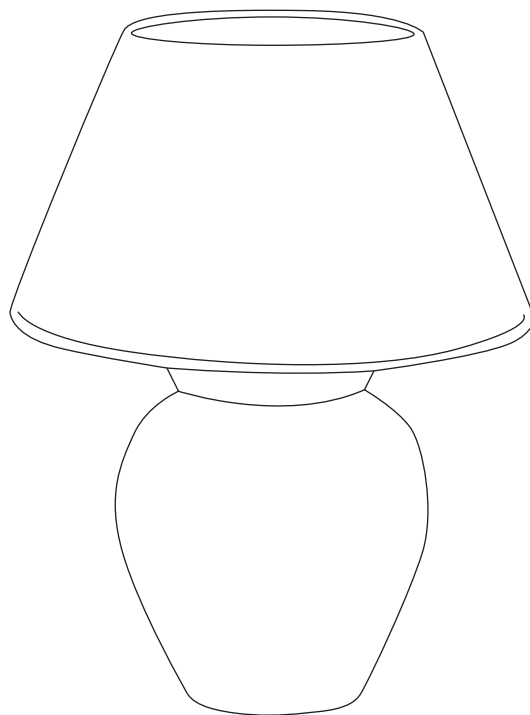
Ceramic & Linen Shade.

Warranty

Bed Threads Furniture is covered by a 24-month warranty on all defects. The warranty period expires two years from the purchase date. Please retain proof of purchase for any warranty claims.

Customer Service

For customer service please contact hello@bedthreads.com.au



All our packaging is made from fully recyclable cardboard. Please dispose of it responsibly.



All our homewares are thoughtfully designed and skillfully crafted. We hope you treasure yours for years to come

Ceramic Lamp.

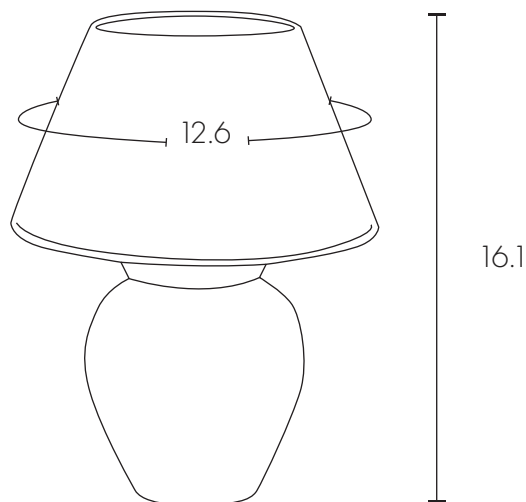
Ceramic & Linen Shade.

Dimensions (in)

Product Size | 12.6 (w) x 16.1 (h) x 12.6 (d)

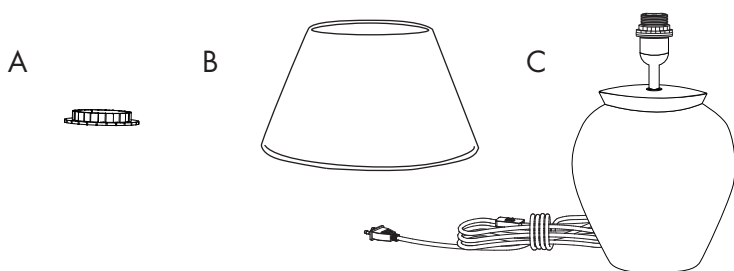
Carton Size | 13.4 (w) x 18.1 (h) x 13.8 (d)

Weight | 5.5lbs



Assembly Instructions

Parts Included



- A** Fastening Ring
- B** Lamp Shade
- C** Ceramic Base

Tools needed
Bulb type E27
(not included)

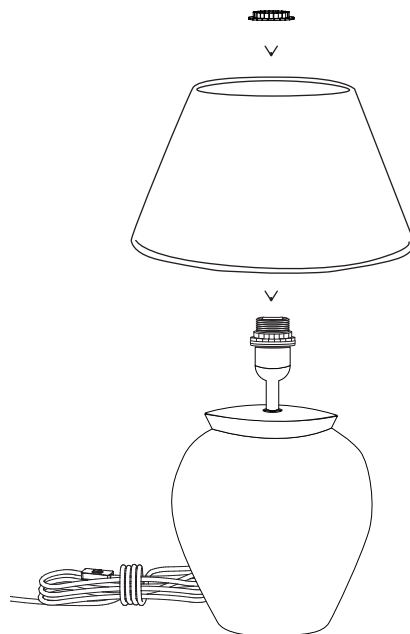
Ceramic Lamp.

Ceramic & Linen Shade.

Assembly Instructions

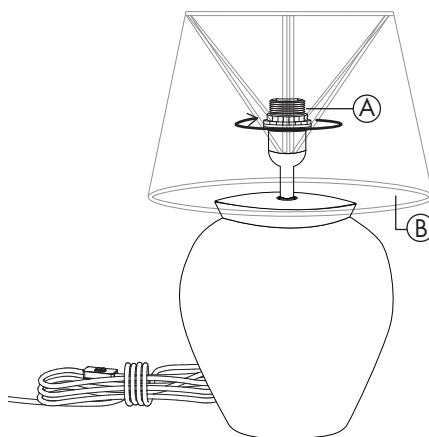
Step 1.

Place the lampshade on top of the lightbulb socket.



Step 2.

Use the fastening ring to rotate clockwise, tighten and connect the lampshade to the base.



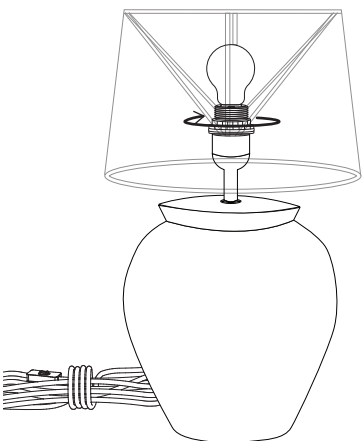
Ceramic Lamp.

Ceramic & Linen Shade.

Assembly Instructions

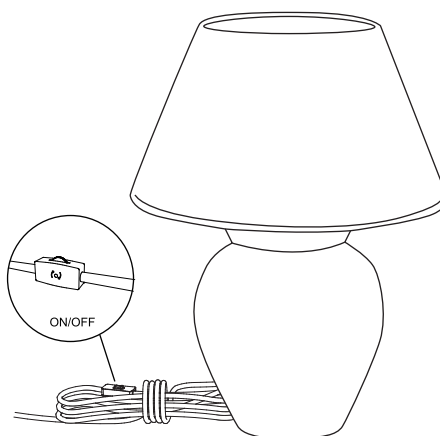
Step 3.

Insert an E27 Bulb into the socket Max. 40w and turn clockwise to tighten.



Step 4.

Connect the lamp to an electrical socket 220-240V and use switch control to turn on/off.



Safety Precautions

Keep out of reach of children.
Intended for interior use only.
Consult a qualified electrician if any issues occur.
Ensure cables are secured out of reach of children and don't pose as a tripping hazard.
If the external cable or cord is damaged, it must be replaced by the manufacturer or a similarly qualified professional in order to avoid a hazard.

Cleaning Instructions

Wipe the surface with a soft, damp sponge or cloth, and follow immediately with a dry cloth.

Do not use any abrasive cleaning tools such as steel wool, scouring sponges, or stiff brushes.
Never use strong cleaning agents such as white spirit, turpentine, household glass cleaner, or cellulose thinners.
Only wipe the inside of the shade with a soft, damp cloth or feather duster.

Disposal

Once your item reaches the end of its useful life, please dispose responsibly so valuable raw materials can be salvaged and recycled. If you are unsure about the best way to dispose of your goods, contact your local disposal or recycling center for advice.