

Rattan Nightstand.

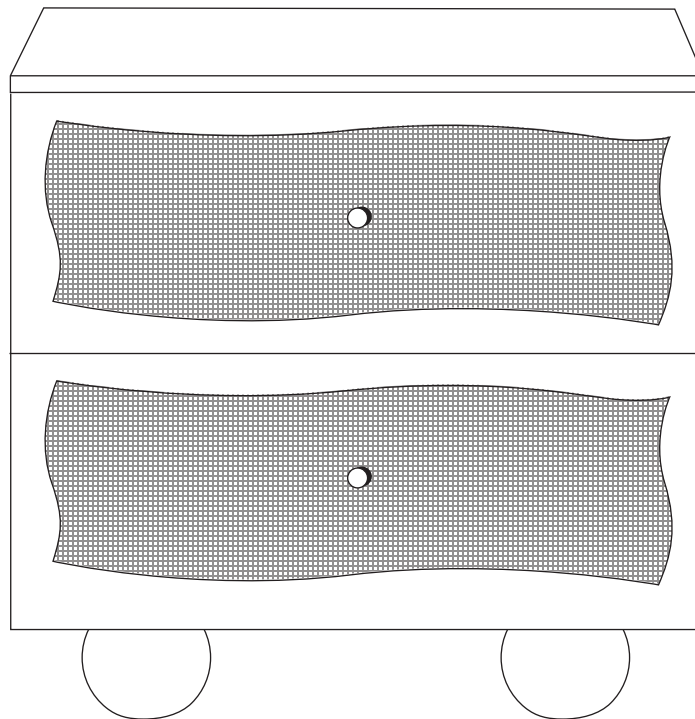
Mango Wood, MDF, Rattan Cane.

Warranty

Bed Threads Furniture is covered by a 24-month warranty on all defects. The warranty period expires two years from the purchase date. Please retain proof of purchase for any warranty claims.

Customer Service

For customer service please contact hello@bedthreads.com.au



All our packaging is made from fully recyclable cardboard. Please dispose of it responsibly.



Our handcrafted furniture features slight variations, making your Bed Threads piece uniquely yours.

Rattan Nightstand.

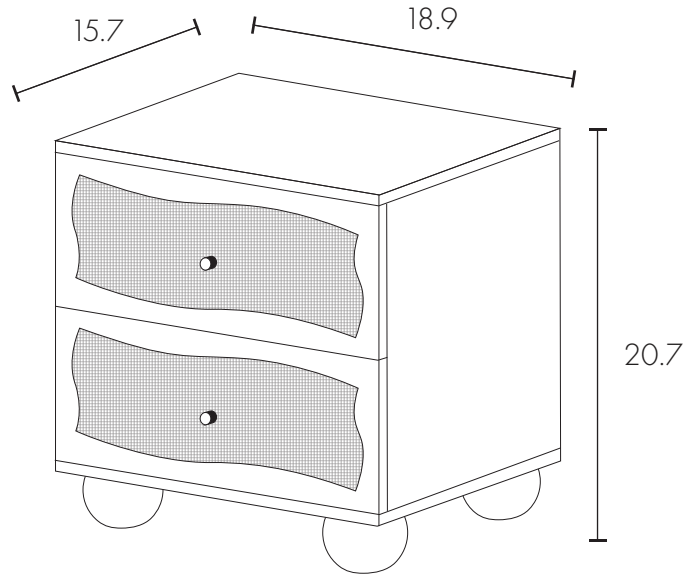
Mango Wood, MDF, Rattan Cane.

Dimensions (in)

Product Size | 18.9 (w) x 20.7 (h) x 15.7 (d)

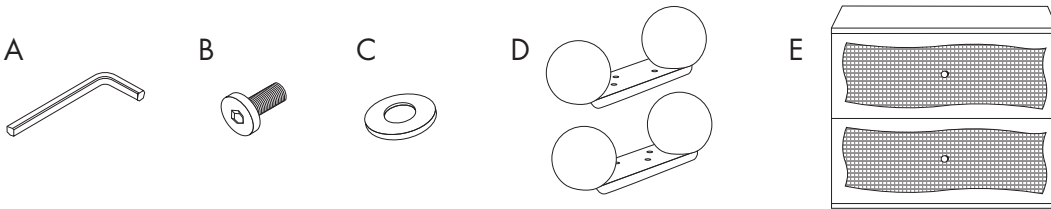
Carton Size | 22.6 (w) x 20.5 (h) x 19.7 (d)

Weight | 36.4lbs



Assembly Instructions

Parts Included



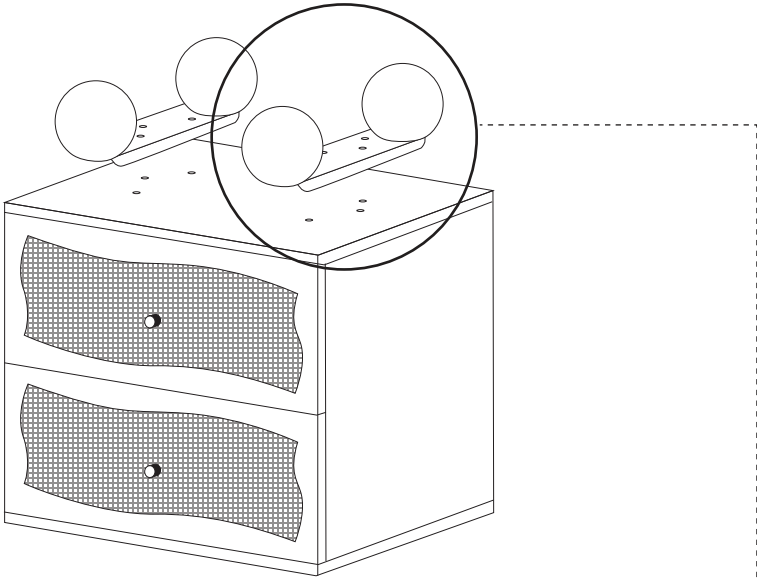
- A Allen Key x 1
- B Allen Bolt x 6
- C Washer x 6
- D Legs x 2
- E Cabinet x 1

Rattan Nightstand.

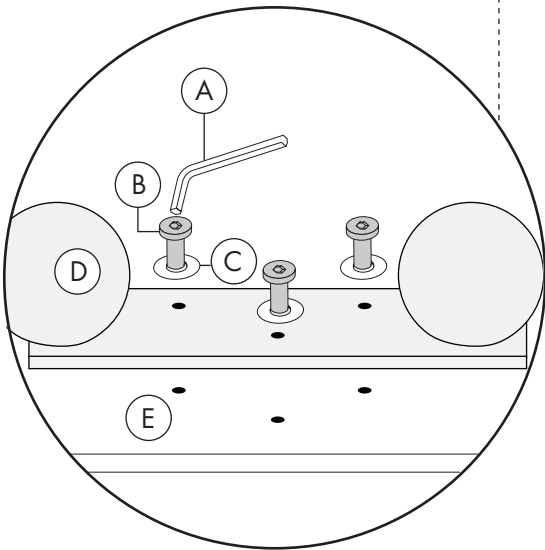
Mango Wood, MDF, Rattan Cane.

Assembly Instructions

Step 1.



Step 2.

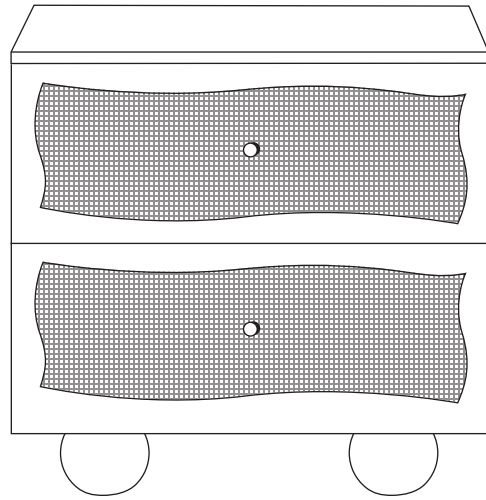
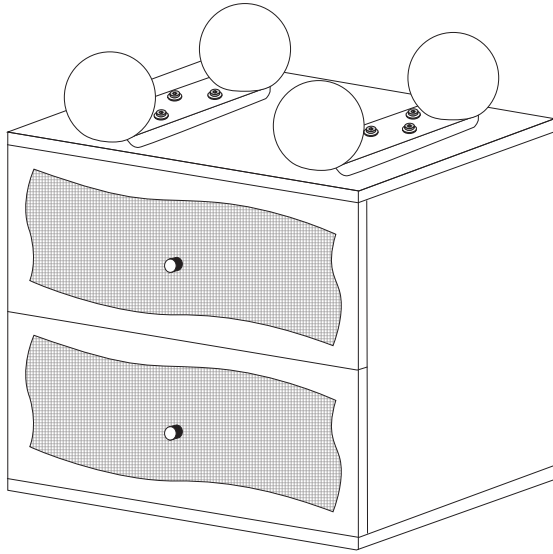


Rattan Nightstand.

100% Mango Wood, Rattan & MDF

Assembly Instructions

Step 3.



Caring for Timber

At Bed Threads, we believe product care should be simple. With a few easy steps, your furniture will continue to look its best and serve you for years to come. Regularly dust your timber furniture with a soft cloth (microfiber is best). Dust will not only dull the look of the lacquer, but can also leave fine scratches if left to accumulate.

When you first receive your furniture, and every three to four months thereafter, treat your new pieces to a quality polish. This helps maintain their luster and provides some protection as well. Always dust before polishing to avoid rubbing dust or dirt into the finish. Use only timber-safe cleaning agents. Harsh chemicals and cleaners may discolor or damage the finish. Blot up spills immediately with a soft, slightly damp cloth. Dry the area thoroughly after cleaning. Use coasters, placemats and tablecloths when dining to protect your furniture.