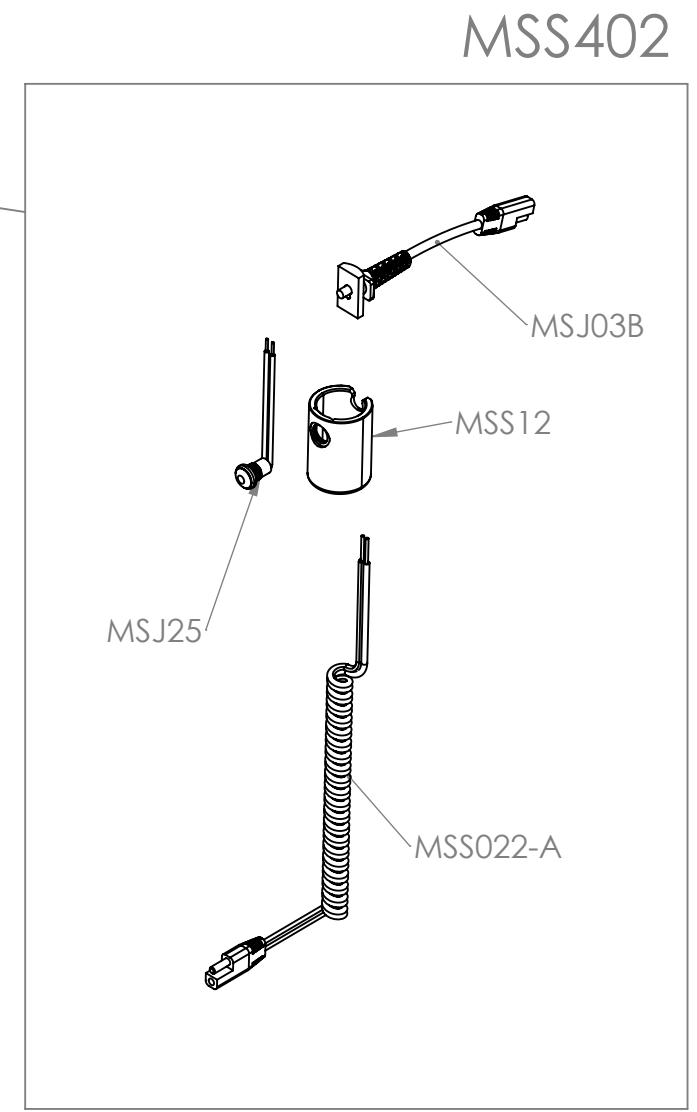
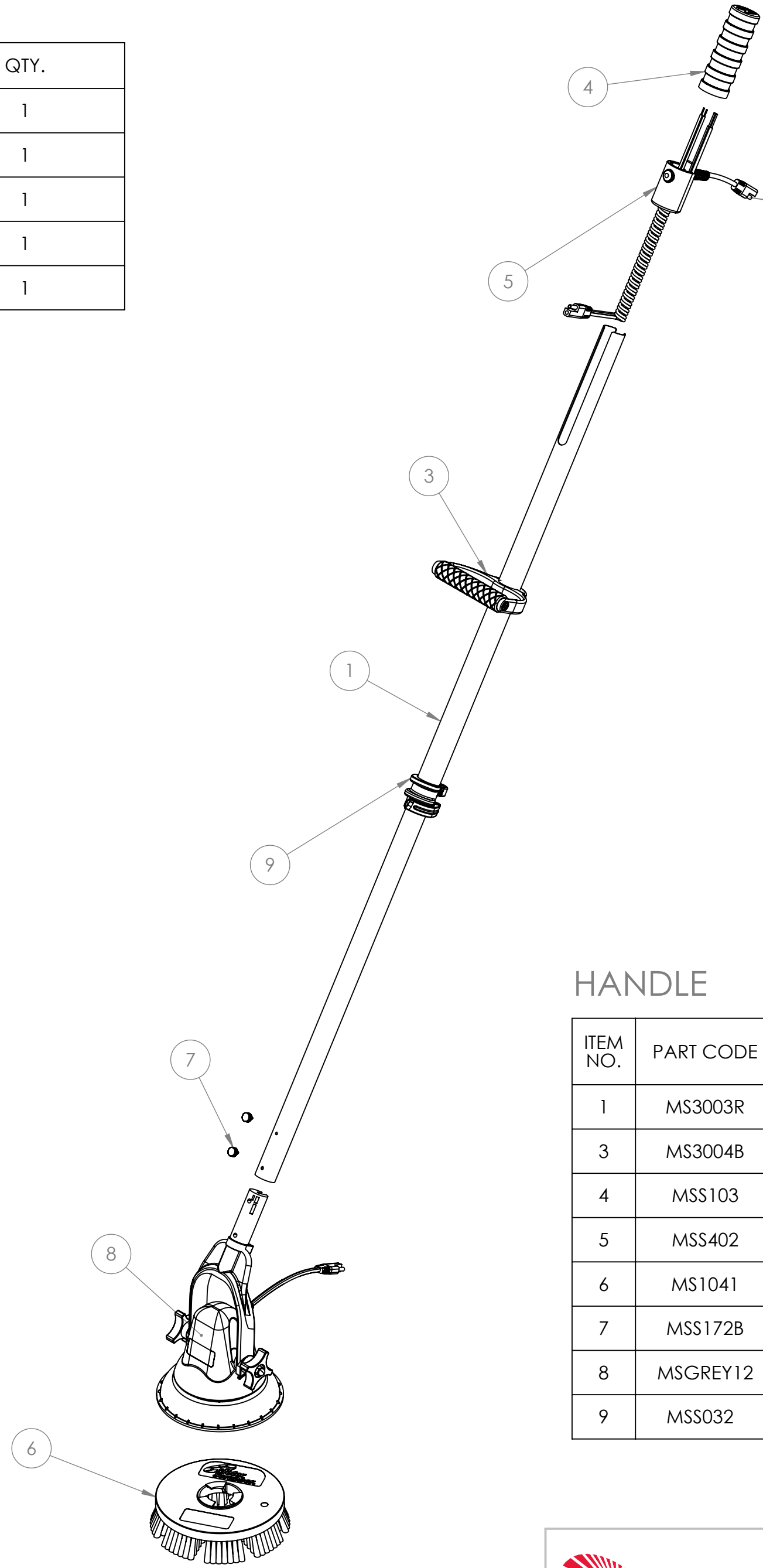
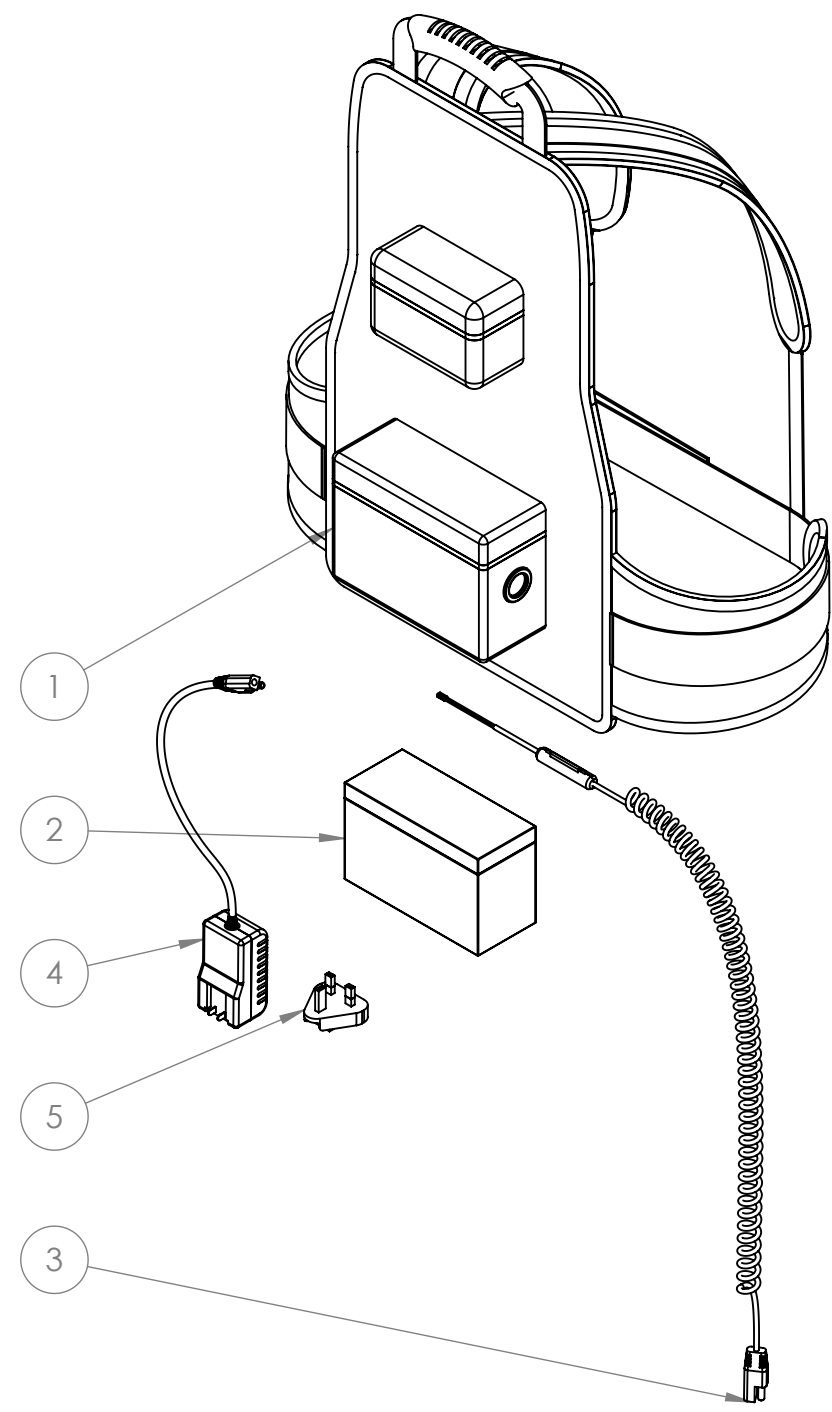


BACKPACK


ITEM NO.	PART CODE	DESCRIPTION	QTY.
1	MS3114	NEW BACK PACK 2016 VERSION MOTORSCRUBBER LOGO	1
2	12V7A	BATTERY ONLY	1
3	MS3009	BATTERY COILED LEAD FITS MS2000 BACKPACK	1
4	MSCHARGB	MOTORSCRUBBER CHARGER BODY ONLY	1
5	MSPAUK	UK PLUG ADAPTOR FOR CHARGER	1



HANDLE

ITEM NO.	PART CODE	DESCRIPTION	QTY.
1	MS3003R	ALUMINIUM TUBE 32mm + 29mm	1
3	MS3004B	NEW GRAB HANDLE	1
4	MSS103	NEW RUBBER GRIP FOR 32mm HANDLE WITH LOGO	1
5	MSS402	2019 SWITCH HOUSING COMPLETE FOR MS2000	1
6	MS1041	MEDIUM DUTY BRUSH	1
7	MSS172B	2019 GREY THUMB SCREW 1 PIECE FITS THE HEAD TO HANDLE	2
8	MSGREY12	2019 MOTORSCRUBBER MOTORHEAD COMPLETE GREY WITH 2019 YOKE	1
9	MSS032	HANDLE FLIP CLIP 32mm	1

REVISION	CHANGE NOTES
REV.	Initial Release
STATUS In Work	



8c Orgreave Road, Sheffield
United Kingdom, S13 9LQ
T. (+44) 114 478 8710

PROPRIETARY AND CONFIDENTIAL
The data and information disclosed on this drawing are the exclusive property of Motor Scrubber and may be subject of U.K. and foreign patents and/or applications. Reproduction, copying, disclosure or use of this drawing, data and information without the written permission of Motor Scrubber is strictly Prohibited. Copyrighted.

Part Code M3-M	Drawn by: Frankie Römer	Date: 23/09/2020
	Approved By:	Date:
Description M3 Medium Starter Kit UK		
Weight (g): 1808.78		

All dimensions in mm unless otherwise specified SHEET SIZE: A2 SCALE: 1:6 SHEET 1 OF 1