

**NBV 190 NX**

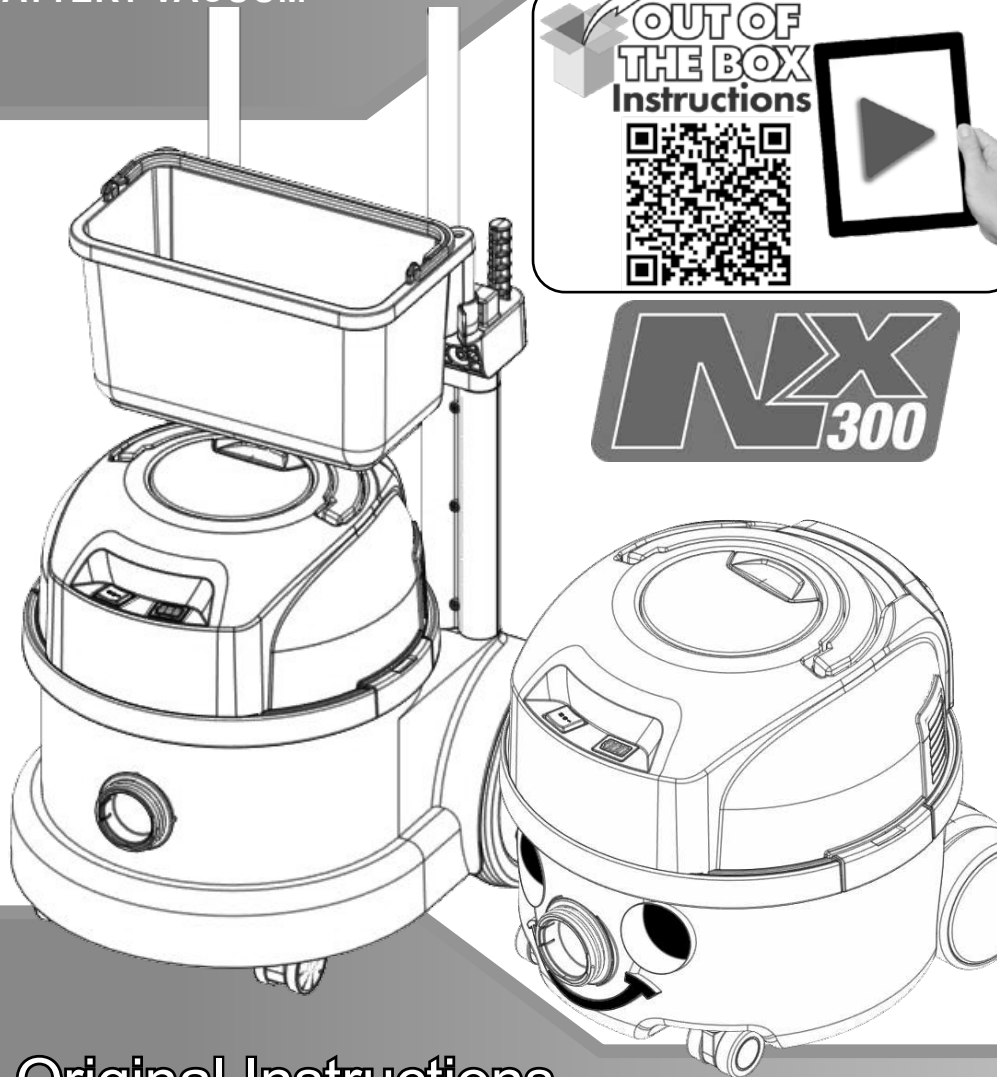
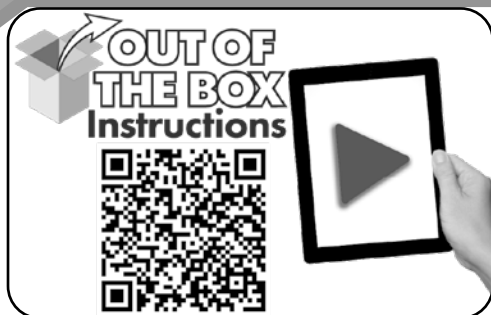
**NBV 240 NX**

**PBT 230 NX**

**NUMATIC LITHIUM-ION  
BATTERY VACUUM**

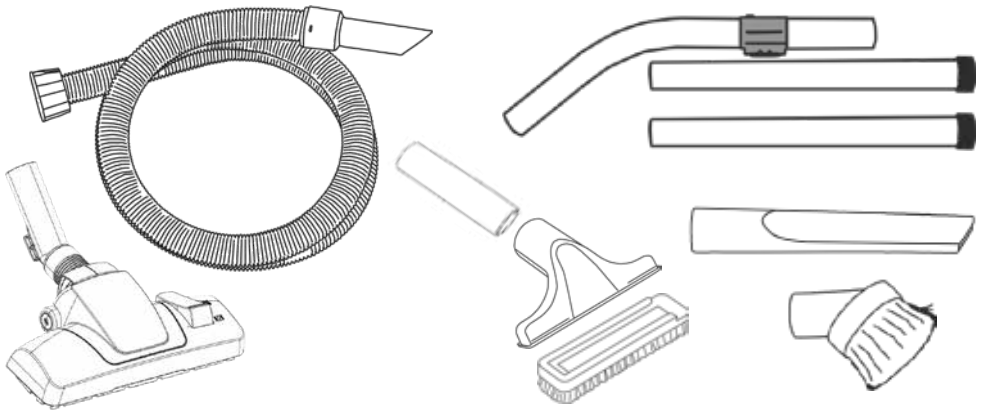
**Numatic**

numatic.com

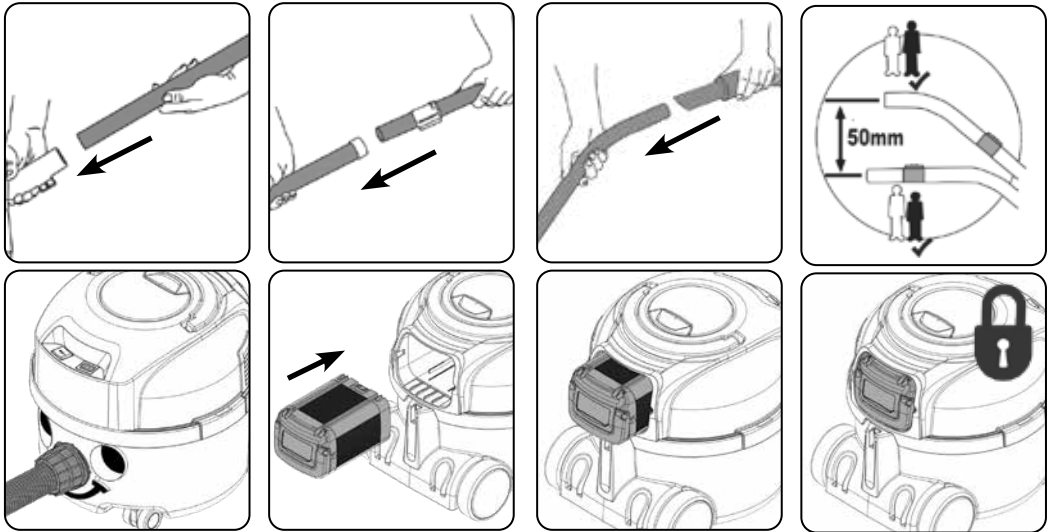


**Original Instructions**

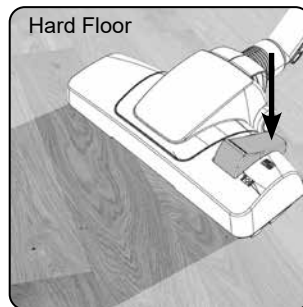
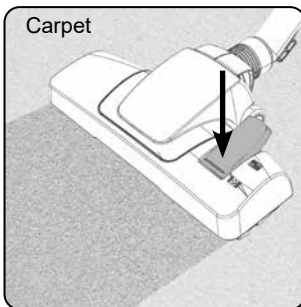
CAUTION, Read the Instructions before using the machine.



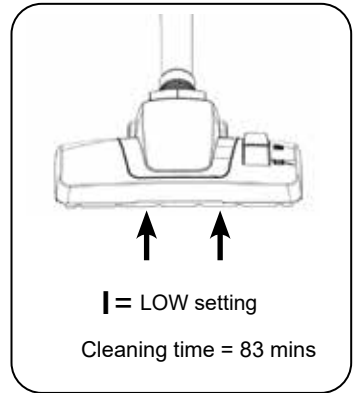
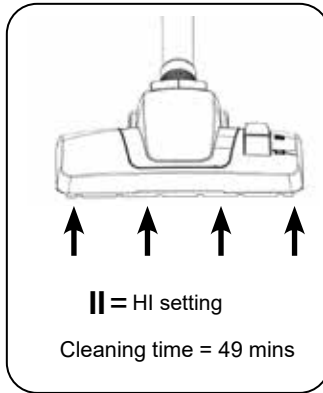
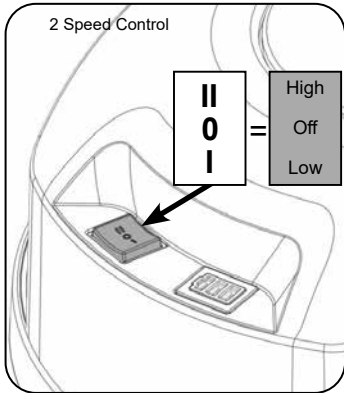
**Assembly**



**Floortool adjustment**

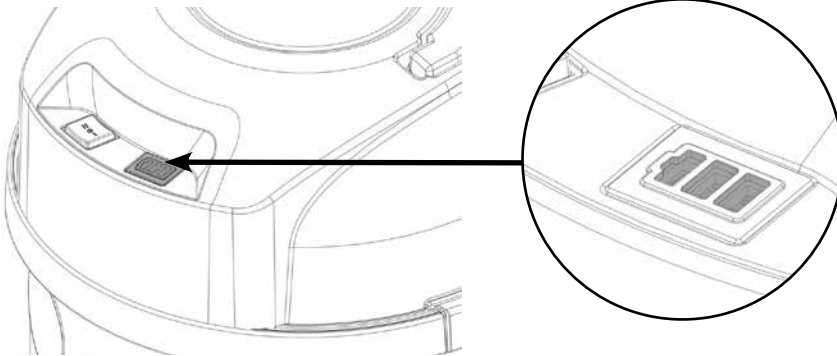


## Using the machine

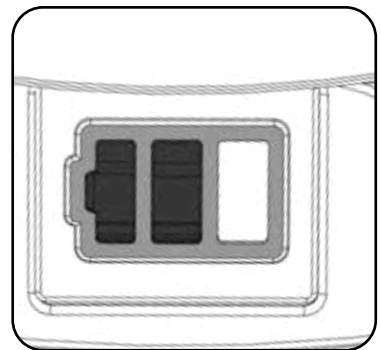
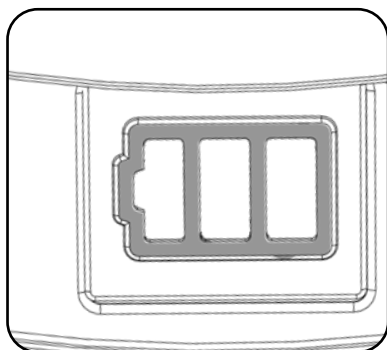


## Charging your battery

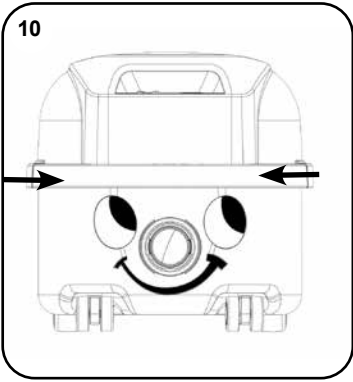
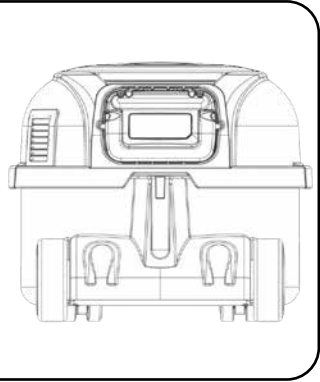
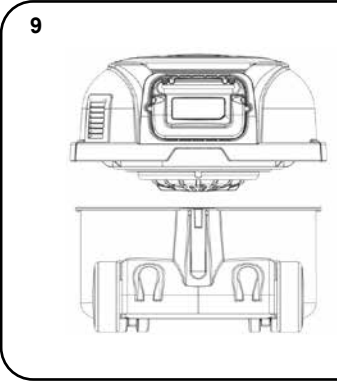
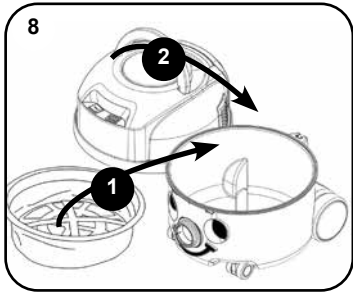
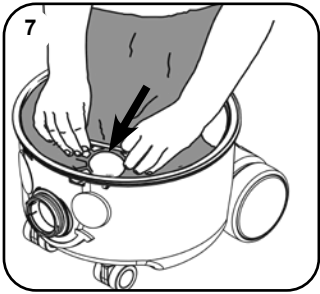
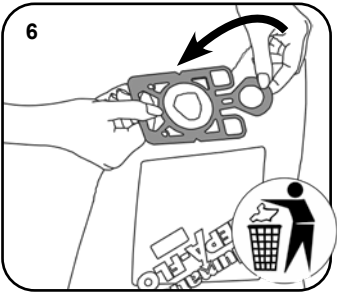
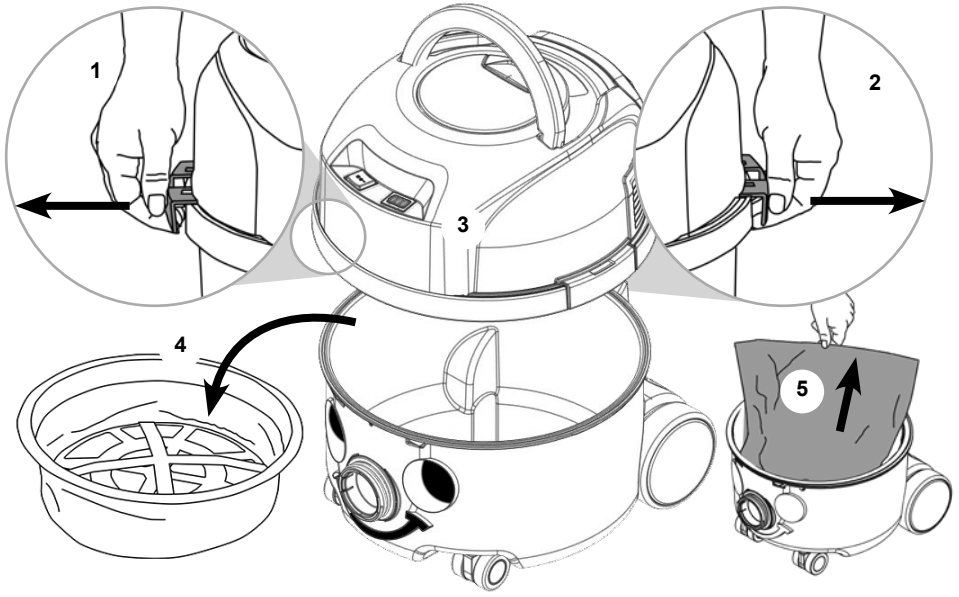
For information relating to the operation and charging of your battery please refer to the battery and charger original operating instructions

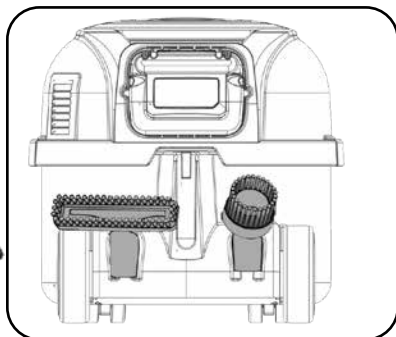
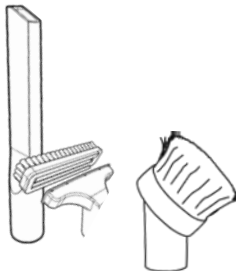
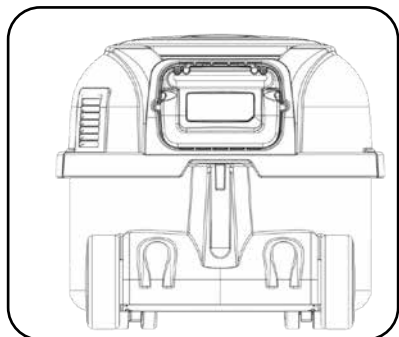


## Battery Status

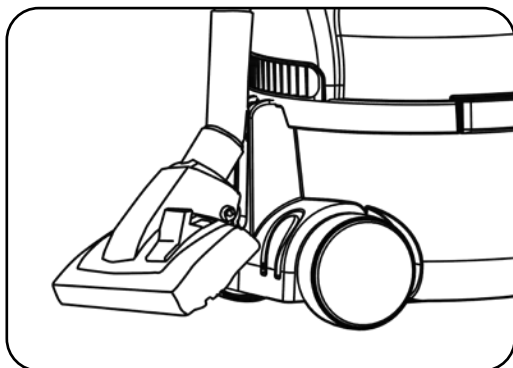
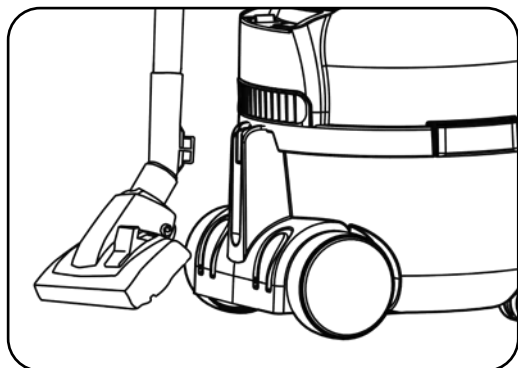


# Cleaning your machine

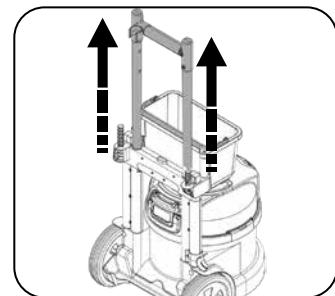
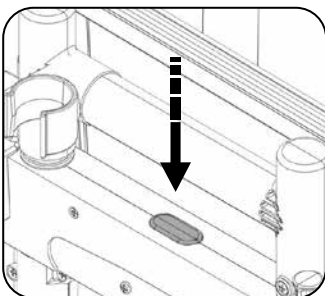
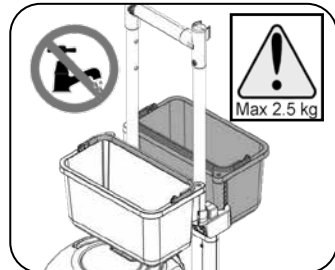
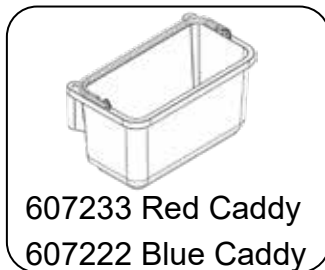
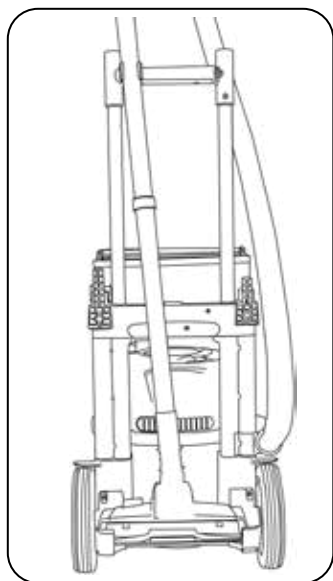


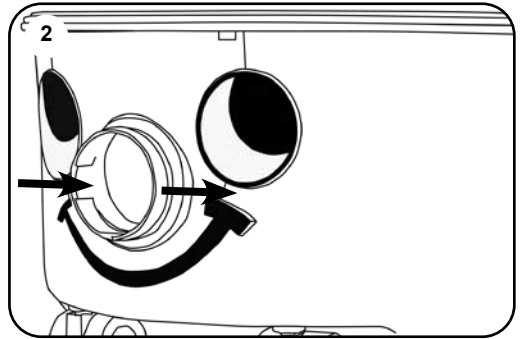
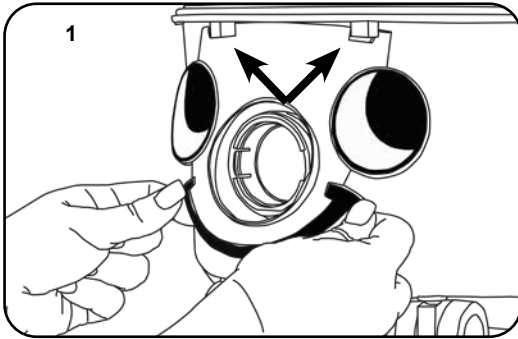


NBV Wand Docking

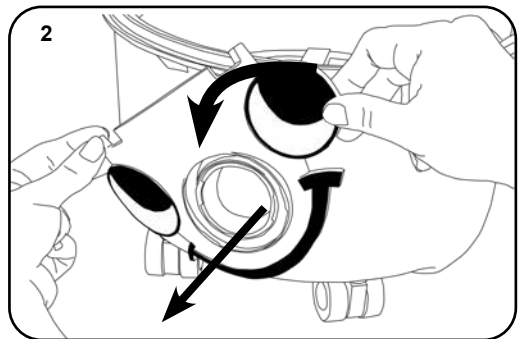
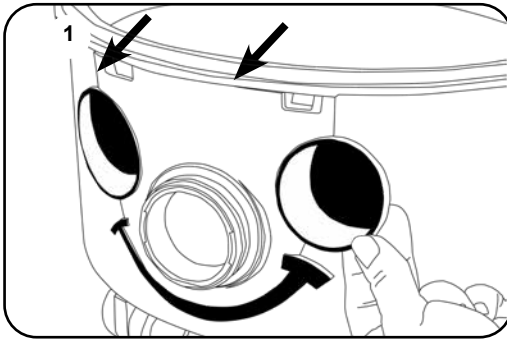


PBT 230





Removing the Face



Data

	Voltage	Power Rating	Airflow	*Run time	Size
NBV190	36 V (DC)	350 W / 200 W	HI = 22.0 L/sec LO = 17.0 L/sec	*HI = 49 Mins *LO = 83 Mins	340 mm x 340 mm x 340 mm
NBV240					360 mm x 370 mm x 415 mm
PBT 230					400 mm x 450 mm x 615 mm
	Weight	Dust bag	Capacity	*Charge time	
NBV190	7.7 kg	NVM-1CH	8 L	*1hr to 80% charge – fast charger *2hrs to 100% charge – fast charger 4.5hrs to 100% charge – slow charger	
NBV240	8.1 kg		9 L		
PBT 230	10.5 kg		9 L		
Sound Pressure			*Run and Recharge times may vary dependent on ambient temperature.		
LpA ≤ 70 dB(A)					

1	Voltage / Direct Current
2	Rated input power
3	Weight (ready to work)
4	Company name & address
5	Model
6	Machine yr/wk Serial number
7	Approval Mark
8	WEEE Logo
9	Use Lithium-Ion Battery Only

Rating Label



**WEEE Legislation (Waste, Electrical and Electronic Equipment)**

Vacuum cleaner, accessories and packaging should be sorted for environmentally - friendly recycling.

**(Only for EU Countries)** Do not dispose of vacuum cleaner into household waste! According to the European Directive 2012/19/EU on waste electrical and electronic equipment and its incorporation into national law.

Vacuum cleaners that are no longer suitable for use must be separately collected and sent for recovery in an environmentally - friendly manner.



**PPE (personal protective equipment) That may be required for certain operations.**

Ear Protection	Safety Footwear	Head Protection	Safety Gloves	
Eye Protection	Protective Clothing	Dust / Allergens Protection	Hi Viz Jacket	

Note: A risk assessment should be conducted to determine which PPE should be worn.

Failure to rectify the problem or in the event of a breakdown contact your Numatic dealer or the Numatic Technical helpline +44 (0)1460 269268

**Daily**

- Keep the machine clean, including hoses and tubes.
- Ensure the bag and filter are fitted.
- Regularly examine the charger.
- Check dust bag frequently.
- Check filters are clean.

**Weekly - as daily and:-**

- Check for any worn or damaged parts and replace immediately.
- Do not steam clean or pressure wash.

**Batteries**

Always recharge the batteries after use.



Safety Critical Components

Multi-Regional Charger (100-240V ~ 50/60 Hz)

Lithium- Ion Battery 8.1 Ah

# Information for Dry use Battery Vacuum cleaners

Original Instructions. Read Manual before use.



## Warning

Read the instruction manual before using the machine.

Operators shall be adequately instructed on the use of these machines, as with all electrical equipment, care and attention must be exercised at all times during use, you must also make certain that routine and preventative maintenance is carried out periodically to ensure safe operation.

Failure to carry out maintenance as necessary, including the replacement of parts to the correct standard could render this equipment unsafe and the manufacturer can accept no responsibility in this respect.

This machine is for DRY USE only.

You must remove the battery from the machine BEFORE cleaning or maintenance and when replacing parts or converting the machine to another function.

This appliance is intended to be assembled, cleaned and maintained by an adult.

This machine is not suitable for the collection of biological hazards, hazardous or explosive dusts.

Contact your local distributor if you require a machine capable of performing these tasks.

This machine is not intended for use by persons (including children) with reduced physical, sensory or mental capabilities, or lack of experience and knowledge.

Children should be supervised to ensure that they do not play with the appliance.

This machine is not a toy; children shall not play with this machine.

## Caution

This machine must not be stored outside, or used in wet environments, or to collect wet materials.

The vacuum cleaner should be stored in a dry place and is for indoor use only.

You must ensure that the filtration system fitted to the machine is suitable for the material being collected.

## Note:

The primary use for this machine is commercial, for example in hotels, schools, hospitals, factories, shops and offices.

This product complies with the requirements of clause 20 of EN/IEC 60335-2-69 Stability and Mechanical Hazards.

This vacuum cleaner is fitted with a thermal protection device.

If the vacuum cleaner has a blockage, remove the battery and inspect the floor tool, tubes and hose for debris.

If the floor tool, tubes and hose are clear, replace the dust bag and clean the filter.

The vacuum cleaner should be inspected after use for damage.

The vacuum cleaner should be stored in a dry place.

## Do

- Keep your machine clean including hoses and tubes.
- Change dust bag frequently.
- Keep filters clean.
- Keep diffuser filter (where fitted) clean.
- Use filter bags, they will enhance performance and help keep machine clean.
- Use a Numatic Original filter bag under fine dust conditions.
- Keep hoses and tubes clear.
- Replace any worn or damaged parts immediately.

## Don't

- Use to suck up hot ashes or lighted cigarette ends.
- Use steam cleaners or pressure washers to clean the machine or use in the rain.
- Immerse in water for cleaning.
- Attempt machine maintenance or cleaning unless battery has been removed from the machine.
- Do not use in wet environments or to collect wet materials.

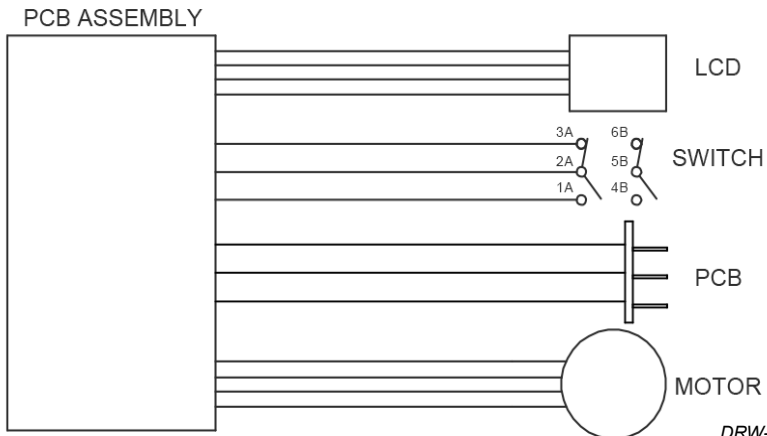
Under any circumstances place foreign objects including (but not limited to) air fresheners, air freshener capsules or scented beads of any type into the top filter of the machine. Doing so can be dangerous and risk damage to the machine and may invalidate the machine warranty.



# Replacement parts

Filter	
909559	Tritex filter (Boxed)
HepaFlo dust bags	
907075	NVM-1CH Dust bags (Pack of 10)
907076	NVM-1CH Dust bags (Pack of 5)
909291	NVM-1CH Dust bags (Pack of 3)
Battery	
913686	37 V Battery
Charger	
607846	Standard battery charger dock & mains lead (UK)
Fast charger	
911334	Fast battery charger dock (UK)
912365	Mains charge lead (UK)
PBT Caddy	
607233	Red Caddy
607222	Blue Caddy

## Schematic diagram



## Lithium-Ion Battery Warranty

- a. Batteries are warranted (3 Years) providing all battery care rules are followed
  - b. To claim warranty the following details must be supplied
    - i. Serial number of the machine
    - ii. Battery date code
    - iii. Date purchased
    - iv. Proof of Purchase
    - v. Maintenance history and charging regime
- Failure to use the correct Numatic charger will void your warranty.

# Numatic International Warranty

Numatic International Limited warrant to the original purchaser that its products are free of defects in both material or workmanship for the period shown below:-

Homecare and Cleancare Vacuum cleaners.....	2 Years
Rotary Floor Machines.....	2 Years
Twintec Auto Scrubber Dryer.....	1 Year
Vario Ride-On Scrubber Dryer.....	1 Year / 1500 hours
Mopping, Compacts, Combi and Servocare Products.....	1 Year
Individual Accessories and Spare Parts.....	6 Months

*Note: This warranty expressly excludes consumable parts such as carbon brushes, floor brushes, mops, batteries etc, that are considered replaceable from time to time during the normal working life of the machine.*

*Using non Numatic dustbags can be detrimental to both machine performance and life and may invalidate the Warranty.*

- A. The warranty period commences from the date the goods are purchased.*
- B. All warranty claims must be processed through the Dealer from whom the equipment was purchased. The Dealer will co-operate with the purchaser throughout the warranty claims procedure and will arrange any necessary repairs using genuine Numatic parts.*
- C. If the original Dealer is no longer able to fulfil his obligations please contact Numatic International Limited with full details of the claim and proof of purchase so that this may be processed without delay.*
- D. Any warranty claim can only relate to the specific part that is proven to be at fault and for which a replacement will be supplied but cannot be extended to constitute a claim against the complete machine.*
- E. Numatic International will supply the Dealer with any warranty parts required, subject to the claim being validated, after return of the faulty items in accordance with Numatic International Limited's General Conditions of Sale.*
- F. Claims will not be accepted if they are the result of fair wear and tear, misuse or abuse of any kind.*
- G. No replacement will be given unless the appropriate evidence of the validity of the claim has been provided to the satisfaction of Numatic International Limited.*
- H. Numatic International Limited reserve the right to charge for any unnecessary work carried out as a result of an invalid claim.*
- I. No variation to this warranty may be made or implied by any member of Numatic International Limited or its Dealers unless such variation is in writing and authorised by the Company*

# Numatic

Numatic International Limited. Chard, Somerset, TA20 2GB

Telephone: 01460 68600 Fax: 01460 68458

© Numatic International Limited

UKCA Declaration of Conformity

<b>Manufacturer:</b>	Numatic International Limited Chard Somerset TA20 2GB www.numatic.co.uk
<b>Product:</b>	NBV, PBT
<b>Description:</b>	Vacuum Cleaner – Commercial – Dry - Battery

We, Numatic hereby declare under our sole responsibility, that the above-mentioned product(s) is/are in conformity with the following directives and standards.

S.I. 2008: 1597	Supply of Machinery Regulations	EN60335-1:2012 + AC:2014 + A11:2014 + A13:2017 + A15:2021 EN60335-2-69:2012 EN62233:2008
S.I. 2016: 1091	EMC Regulations	EN55014-1:2017 + A11:2020 EN55014-2:1997 + A1:2001 + A2:2008
S.I. 2012: 3032	RoHS Regulations	

Authorised Signatory: Mr. Matthew Coles  
Position: Head of Technology  
Numatic International Limited,  
Chard,  
Somerset, TA20 2GB, UK

Signed: *Mr. Coles* Date: 5<sup>th</sup> February 2024

EU, EC, EL, UE, ES: Declaration of Conformity	Декларация за съответствие	Declaración de conformidad	Declaracja zgodności
Problemas e incompatibilidades	Могат да възникнат проблеми с компатibilitет	Problemas e incompatibilidades	Проблеми са несовместимост
Konformitátskerítelyezés	Declaración de conformidad	Konformitátskerítelyezés	Изъявление о соответствии
Overensstemmelseserklæring	Declaración de conformidad	Overensstemmelseserklæring	Изъявление о соответствии
Declaração de conformidade	Declaración de conformidad	Declaração de conformidade	Изъявление о соответствии
Manufacturer: Virobceč / Hersteller / Fabricant / Fabricante / Toollja / Fabricant / производелец / Κατασκευαστής / Gyártó / Fabricante / Gaminiojas / Fabrikant / Producteur / Fabricante / Producteur / Productor / Производител / Тillsverkare / Proizvođača / Valmistaja	Numatic International Limited Chard Somerset TA20 2GB www.numatic.co.uk	Numatic International Limited Chard Somerset TA20 2GB www.numatic.co.uk	Numatic International Limited Chard Somerset TA20 2GB www.numatic.co.uk
Product: / Produkty / Termek / Prodotto / Produkta / Artikel / Produkt / Προϊόν / Produits / Produkts / Товар / Produkt / Izdelka / Tovar: Kirjaluts / La description / Ovkazanie / Περιγραφή / Terveis / Ovkazanie / Beschreibung / Оvkazanie / Beskrivelse / Description / Opis / Descrere / Ovkazanie / Beskrivning / Opis / Ovkazanie	Продукт / Produkty / Termek / Prodotto / Produkta / Artikel / Produkt / Προϊόν / Produits / Produkts / Товар / Produkt / Izdelka / Tovar:	Produkt / Produkty / Termek / Prodotto / Produkta / Artikel / Produkt / Προϊόν / Produits / Produkts / Товар / Produkt / Izdelka / Tovar:	Produkt / Produkty / Termek / Prodotto / Produkta / Artikel / Produkt / Προϊόν / Produits / Produkts / Товар / Produkt / Izdelka / Tovar:
EN Ms, Numatic hereby declare under our sole responsibility, that the above mentioned product(s) is/are in conformity with the following directives and standards.	EN Ms, Numatic hereby declare under our sole responsibility, that the above mentioned product(s) is/are in conformity with the following directives and standards.	EN Ms, Numatic hereby declare under our sole responsibility, that the above mentioned product(s) is/are in conformity with the following directives and standards.	EN Ms, Numatic hereby declare under our sole responsibility, that the above mentioned product(s) is/are in conformity with the following directives and standards.
CS Ms, Numatic prohlašujeme na svou výlučnou odpovědnost, že výše uvedený výrobek odpovídá následujícím směrnici a normám.	CS Ms, Numatic prohlašujeme na svou výlučnou odpovědnost, že výše uvedený výrobek odpovídá následujícím směrnici a normám.	CS Ms, Numatic prohlašujeme na svou výlučnou odpovědnost, že výše uvedený výrobek odpovídá následujícím směrnici a normám.	CS Ms, Numatic prohlašujeme na svou výlučnou odpovědnost, že výše uvedený výrobek odpovídá následujícím směrnici a normám.
DE Wir, Numatic erklären in aller Eigen Verantwortung, dass das oben genannte Produkt den folgenden Richtlinien und Normen entspricht.	DE Wir, Numatic erklären in aller Eigen Verantwortung, dass das oben genannte Produkt den folgenden Richtlinien und Normen entspricht.	DE Wir, Numatic erklären in aller Eigen Verantwortung, dass das oben genannte Produkt den folgenden Richtlinien und Normen entspricht.	DE Wir, Numatic erklären in aller Eigen Verantwortung, dass das oben genannte Produkt den folgenden Richtlinien und Normen entspricht.
DA Vi, Numatic erklærer hermed under eget ansvar at ovennævnte produkt(er) i overensstemmelse med følgende direktiver og standarder.	DA Vi, Numatic erklærer hermed under eget ansvar at ovennævnte produkt(er) i overensstemmelse med følgende direktiver og standarder.	DA Vi, Numatic erklærer hermed under eget ansvar at ovennævnte produkt(er) i overensstemmelse med følgende direktiver og standarder.	DA Vi, Numatic erklærer hermed under eget ansvar at ovennævnte produkt(er) i overensstemmelse med følgende direktiver og standarder.
ES Nosotras, Numatic declaramos bajo nuestra única responsabilidad que el producto antes mencionado está en conformidad con las siguientes directivas y normas.	ES Nosotras, Numatic declaramos bajo nuestra única responsabilidad que el producto antes mencionado está en conformidad con las siguientes directivas y normas.	ES Nosotras, Numatic declaramos bajo nuestra única responsabilidad que el producto antes mencionado está en conformidad con las siguientes directivas y normas.	ES Nosotras, Numatic declaramos bajo nuestra única responsabilidad que el producto antes mencionado está en conformidad con las siguientes directivas y normas.
ET Meie, Numatic väidame, et eelnevat toote vastavalt järgmistele direktiividele ja standarditele.	ET Meie, Numatic väidame, et eelnevat toote vastavalt järgmistele direktiividele ja standarditele.	ET Meie, Numatic väidame, et eelnevat toote vastavalt järgmistele direktiividele ja standarditele.	ET Meie, Numatic väidame, et eelnevat toote vastavalt järgmistele direktiividele ja standarditele.
FR Numatic déclare sous notre seule responsabilité que le produit mentionné ci-dessus est conforme aux directives et normes suivantes.	FR Numatic déclare sous notre seule responsabilité que le produit mentionné ci-dessus est conforme aux directives et normes suivantes.	FR Numatic déclare sous notre seule responsabilité que le produit mentionné ci-dessus est conforme aux directives et normes suivantes.	FR Numatic déclare sous notre seule responsabilité que le produit mentionné ci-dessus est conforme aux directives et normes suivantes.
2006/42/EC	Machinery Directive	EN60335-1:2012 + AC:2014 + A11:2014 + A13:2017 + A15:2021 EN60335-2-69:2012 EN62233:2008	EN60335-1:2012 + AC:2014 + A11:2014 + A13:2017 + A15:2021 EN60335-2-69:2012 EN62233:2008
2014/30/EEU	EMC Directive	EN55014-1:2017 + A11:2020 EN55014-2:1997 + A1:2001 + A2:2008	EN55014-1:2017 + A11:2020 EN55014-2:1997 + A1:2001 + A2:2008
2011/65/EU	RoHS Directive		

PL My, Numatic oświadczam, że powyższe urządzenie jest zgodne z następującymi dyrektywami i normami.	PL My, Numatic oświadczam, że powyższe urządzenie jest zgodne z następującymi dyrektywami i normami.	PL My, Numatic oświadczam, że powyższe urządzenie jest zgodne z następującymi dyrektywami i normami.	PL My, Numatic oświadczam, że powyższe urządzenie jest zgodne z następującymi dyrektywami i normami.
RO Noi, Numatic Pro prezenta declaratióne afirmám că produsul este în conformitate cu standardele și normele aplicabile.	RO Noi, Numatic Pro prezenta declaratióne afirmám că produsul este în conformitate cu standardele și normele aplicabile.	RO Noi, Numatic Pro prezenta declaratióne afirmám că produsul este în conformitate cu standardele și normele aplicabile.	RO Noi, Numatic Pro prezenta declaratióne afirmám că produsul este în conformitate cu standardele și normele aplicabile.
RU Мы, Numatic подтверждаем, что данное устройство соответствует следующим директивам и стандартам.	RU Мы, Numatic подтверждаем, что данное устройство соответствует следующим директивам и стандартам.	RU Мы, Numatic подтверждаем, что данное устройство соответствует следующим директивам и стандартам.	RU Мы, Numatic подтверждаем, что данное устройство соответствует следующим директивам и стандартам.
SV Vi, Numatic förklarar härmed under eget ansvar att ovan nämnda produkt överensstämmer med följande direktiv och normer.	SV Vi, Numatic förklarar härmed under eget ansvar att ovan nämnda produkt överensstämmer med följande direktiv och normer.	SV Vi, Numatic förklarar härmed under eget ansvar att ovan nämnda produkt överensstämmer med följande direktiv och normer.	SV Vi, Numatic förklarar härmed under eget ansvar att ovan nämnda produkt överensstämmer med följande direktiv och normer.
SL Mi, Numatic izjavljam s polno odgovornostjo, da našo napravo ustreja naslednjim direktivam in standardom.	SL Mi, Numatic izjavljam s polno odgovornostjo, da našo napravo ustreja naslednjim direktivam in standardom.	SL Mi, Numatic izjavljam s polno odgovornostjo, da našo napravo ustreja naslednjim direktivam in standardom.	SL Mi, Numatic izjavljam s polno odgovornostjo, da našo napravo ustreja naslednjim direktivam in standardom.
FI Me, Numatic ilertän vakuutamme omalla vastuullamme, että edellä mainittu tuote on yhdenmukainen seuraavien direktiivien ja standardien mukaisesti.	FI Me, Numatic ilertän vakuutamme omalla vastuullamme, että edellä mainittu tuote on yhdenmukainen seuraavien direktiivien ja standardien mukaisesti.	FI Me, Numatic ilertän vakuutamme omalla vastuullamme, että edellä mainittu tuote on yhdenmukainen seuraavien direktiivien ja standardien mukaisesti.	FI Me, Numatic ilertän vakuutamme omalla vastuullamme, että edellä mainittu tuote on yhdenmukainen seuraavien direktiivien ja standardien mukaisesti.

Authorised Signatory: Mr. Matthew Coles  
Position: Head of Technology  
Numatic International Limited  
Chard,  
Somerset, TA20 2GB, UK



numatic.com

**Numatic International Limited (Head Office)**

Chard, Somerset TA20 2GB, UNITED KINGDOM

Tel: 01460 68600 numatic.com

**Numatic International GmbH**

Fränkische Straße 15-19, 30455 Hannover, DEUTSCHLAND

Tel: +49 (0) 511 984 2160 numatic.de

**Numatic International Denmark**

Fränkische Straße 15-19, 30455 Hannover, DEUTSCHLAND

Tel: +45 (0) 316 40808 numatic-online.dk

**Numatic International S.A.S**

13/17 rue du Valengelier, EAE la Tuilerie, 77500 Chelles, FRANCE

Tel: +33 (0) 164 726 161 numatic.fr

**Numatic International BV**

Vennootsweg 15, 2404 CG, Alphen aan den Rijn, NEDERLAND

Tel: +31 (0) 172 467 999 numatic.nl

**Numatic International Schweiz AG.**

Sihlbruggstrasse 3A, 6340 Baar, SCHWEIZ

Tel: +41 (0) 41 768 0760 numatic.ch

**Numatic International (PTY) Ltd.**

Cnr. 16th & Pharmaceutical Road, Randjes Park, Midrand 1685, SOUTH AFRICA

Tel: +27 (0) 861 686 284 numatic.co.za

**Numatic International ULDA**

Rua Francisco da Silva Duarte, nº79,

4475-269 Santa Maria de Avioso, Castelo da Maia, PORTUGAL

Tel: +351 220 047 700 numatic.pt

**NUMATIC INTERNATIONAL SPAIN, S.L.U.**

Av. Baix Llobregat, 5-7, Oficina bajos 1 (Parc Negocis Mas Blau II),

08820 El Prat de Llobregat (Barcelona) SPAIN

Tel: +34 93 647 22 22 numatic.es

**Numatic International Italy S.R.L**

Via Luigi Galvani, 2, Z.I. Talponedo, 33080 Porcia (PN), ITALY

Tel: +39 (0) 434 046 211 numatic.it

Specification subject to change without prior notice  
numatic.com © Numatic International Limited