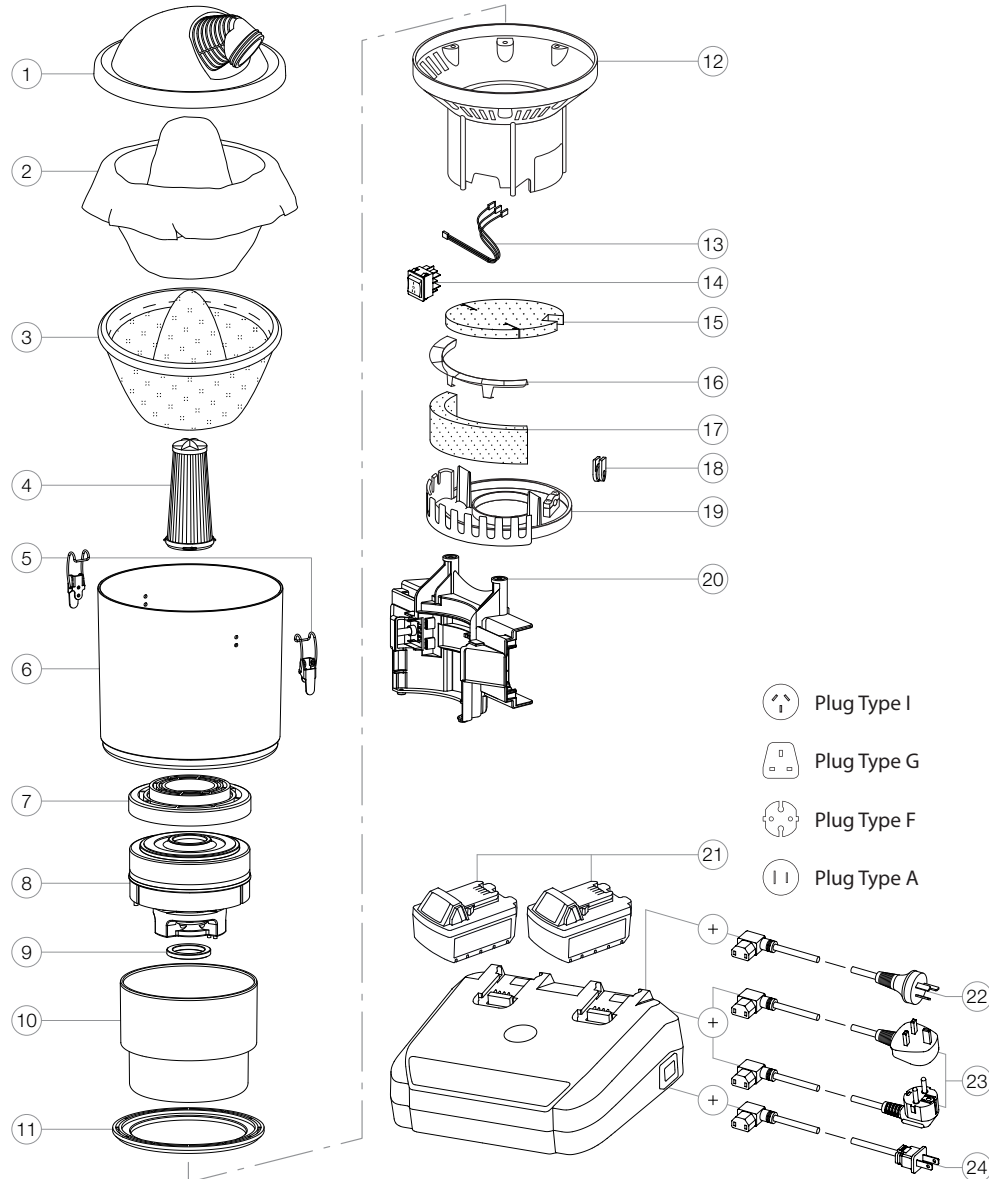


Parts Profile

Superpro Go - 01SG002VB



*Technical specifications, part numbers and part designs are subject to change without notice.

Spare Parts

Quote these part numbers when ordering spare parts.

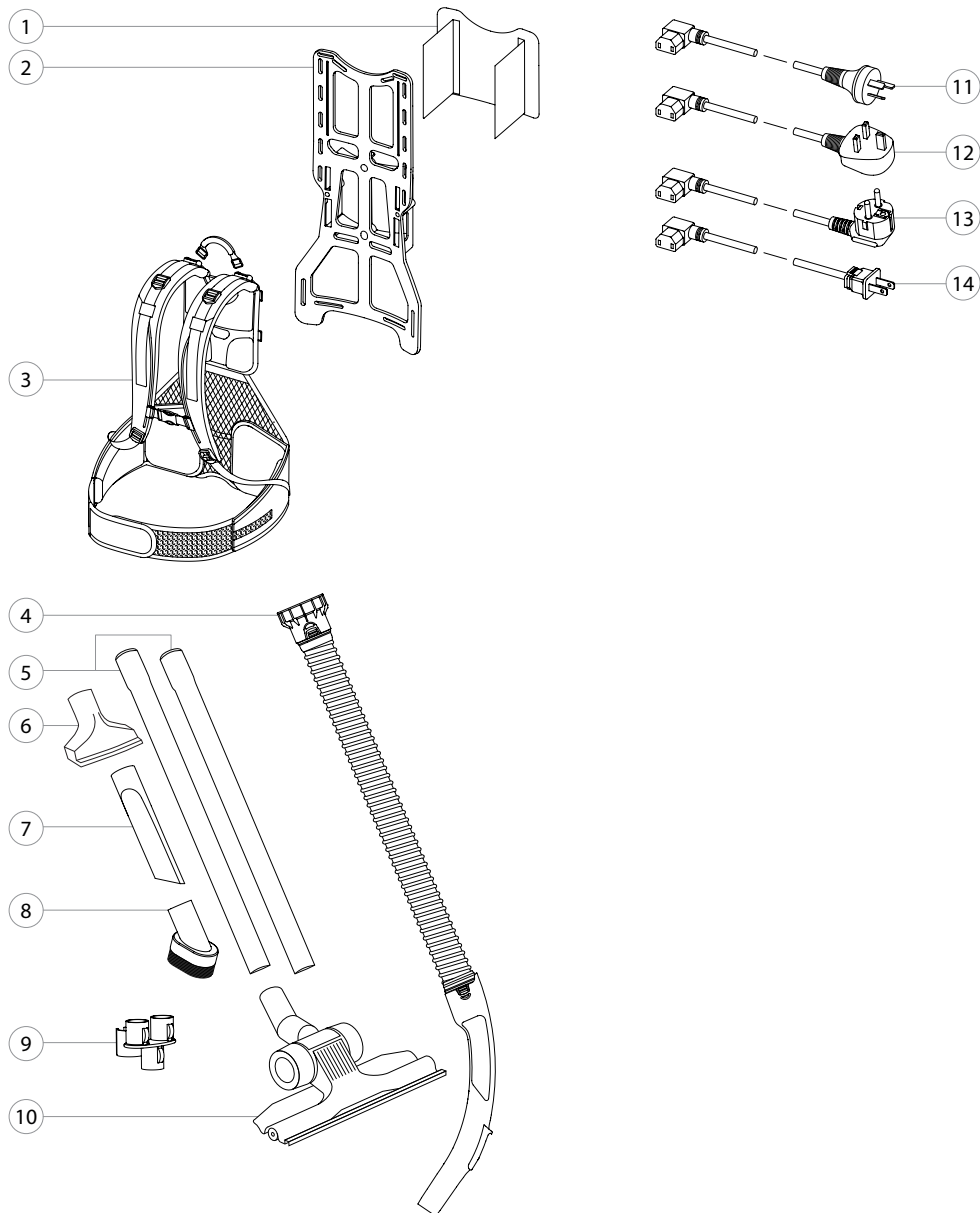
No.	Part Name	Part No.
1.	Clear lid 5L	LID001
2.	Disposable paper dust bag 5L (10pk)	DUB019
3.	Reusable SMS cone dust bag 5L (grey)	DUB003
4.	Pre-motor cone filter 196mm	FIL001
5.	Aluminium latch	LAT001
6.	Superpro go canister	CAN019
7.	Rubber motor gasket 152mm	GAS011
8.	300W/450W Single-stage brushless DC motor	MOT019
9.	Rubber gasket motor 45mm	GAS012
10.	Motor cover	COV016
11.	Motor gasket 160mm	GAS013
12.	Intermediate housing (blue - blank insert)	INH003
13.	Wiring motor terminal 230mm	WIR013
14.	Hi-low-off switch	SWI002
15.	Insulation foam 154mm	INS011
16.	Front motor filter cage (black)	CAG001
17.	Exhaust foam filter	FIL004
18.	Rubber grommet 17mm	GRO003
19.	Bottom cap 175mm	BOT001
20.	Battery holder assembly	HOL019A
21.	Rechargeable lithium-ion battery 18V	BP001BP01A01
22.	Battery charger (plug type I)	BC001BC01A02
23.	Battery charger (plug type G and F)	BC001BC01A03
24.	Battery charger (plug type A)	BC001BC02A02

Specifications

Model	Superpro Go
Model No	01SG002VB (AU, UK and EU)
Volts/Frequency	36V DC
Motor	300W/450W single-stage BLDC
Max Suction Power	102.6W, 154.2W (boost mode)
Noise Level (at ear)	<73.9dB(A)
Filtration	4 stage; Hypercone™ filter
Volumetric Airflow (Max.)	22.1L/s, 25.4L/s (boost mode)
Max Pressure	16.7kPa, 21.6kPa (boost mode)
Capacity	5L
Weight	5.7kg (inc. battery packs, ex. hose assembly)
Power Source	Rechargeable lithium-ion battery packs - 2 x 18V DC
Vibration Level	≤2.5m/s ²

Parts Profile

Superpro Go - 015G002VB



Spare Parts

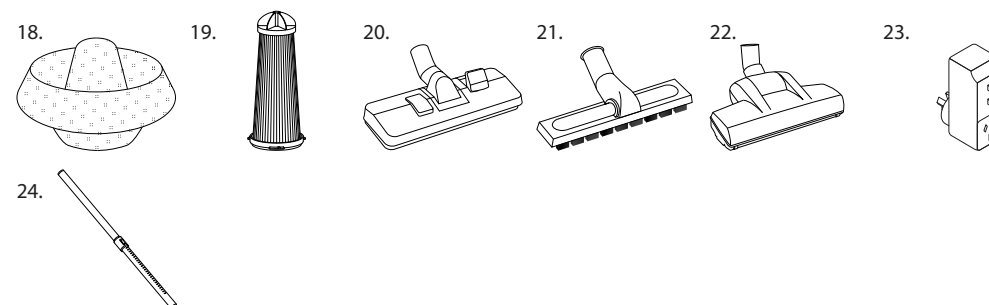
Quote these part numbers when ordering spare parts.

No.	Part Name	Part No.
1.	Frame pad	ACC011
2.	Frame	FRA005
3.	Harness & handle kit	HRT004
4.	Screw fit hose 1.2m	HOA014
5.	Chrome two piece wand	WND002
6.	Upholstery tool 32mm	ACC003
7.	Crevice tool 32mm	ACC002
8.	Dusting brush 32mm	ACC001
9.	Wand tool holder	CLI007
10.	All purpose floor tool 285mm	FLT001
11.	Power cord with horizontal right angle C17 (plug type I)	PWC026
12.	Power cord with horizontal right angle C17 (plug type G)	PWC027
13.	Power cord with horizontal right angle C17 (plug type F)	PWC028
14.	Power cord with horizontal right angle C17 (plug type I)	PWC026

Optional Extras

Quote the following part numbers when ordering spare parts for all models.

No.	Part Name	Part No.
18.	Disposable SMS dust bag 5L (10pk)	DUB028
19.	H13 HEPA Pre-motor cone filter 196mm	FIL028
20.	Combination floor tool 270mm	FLT003
21.	Hard surface floor tool 300mm	FLT005
22.	Turbo head floor tool 280mm	FLT007
23.	Plug-in RCD	RCD003
24.	Chrome telescopic wand 950mm	WND001



*Technical specifications, part numbers and part designs are subject to change without notice.