

CONTACT

480-616-2299
info@utvstereo.com

UTV stereo

FLEX SERIES



10" ELITE SUBWOOFER



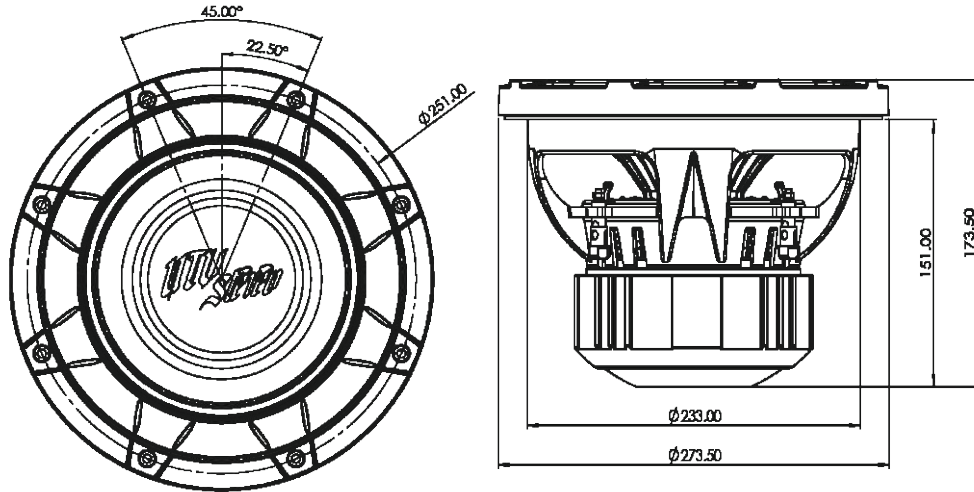
UTV stereo

FLEX SERIES

Manual for Models:
UTVS-F10E1 AND UTVS-F10E2

UTVS-F10E

DIMENSIONS



SPECIFICATIONS

Speaker Size: 10 inch subwoofer
 Amplifier Power Handling Minimum (RMS): 500W
 Amplifier Power Handling Maximum (RMS): 1200W
 System Efficiency: 85dB±3dB @ 1W/1m
 Mounting Diameter: 233mm
 Mounting Depth: 151mm
 Options: Dual 1 ohm or Dual 2 ohm
 Sealed Enclosure Air Space: Minimum .6 cu. ft. Maximum 1.3 cu. ft.
 Ported Enclosure Air Space: Minimum 1.3 cu. ft. Maximum 1.8 cu. ft.

INSTRUCTIONS

Step 1: Pre-drill desired subwoofer enclosure.
 Step 2: Connect wires per ohm load wire diagram.
 Step 3: Place the subwoofer into the enclosure and mount subwoofer using provided hardware. (For sealed enclosures, make sure enclosure is air tight)
 Step 4: Tune stereo system.

WIRE DIAGRAM (PER OHM LOAD)

