

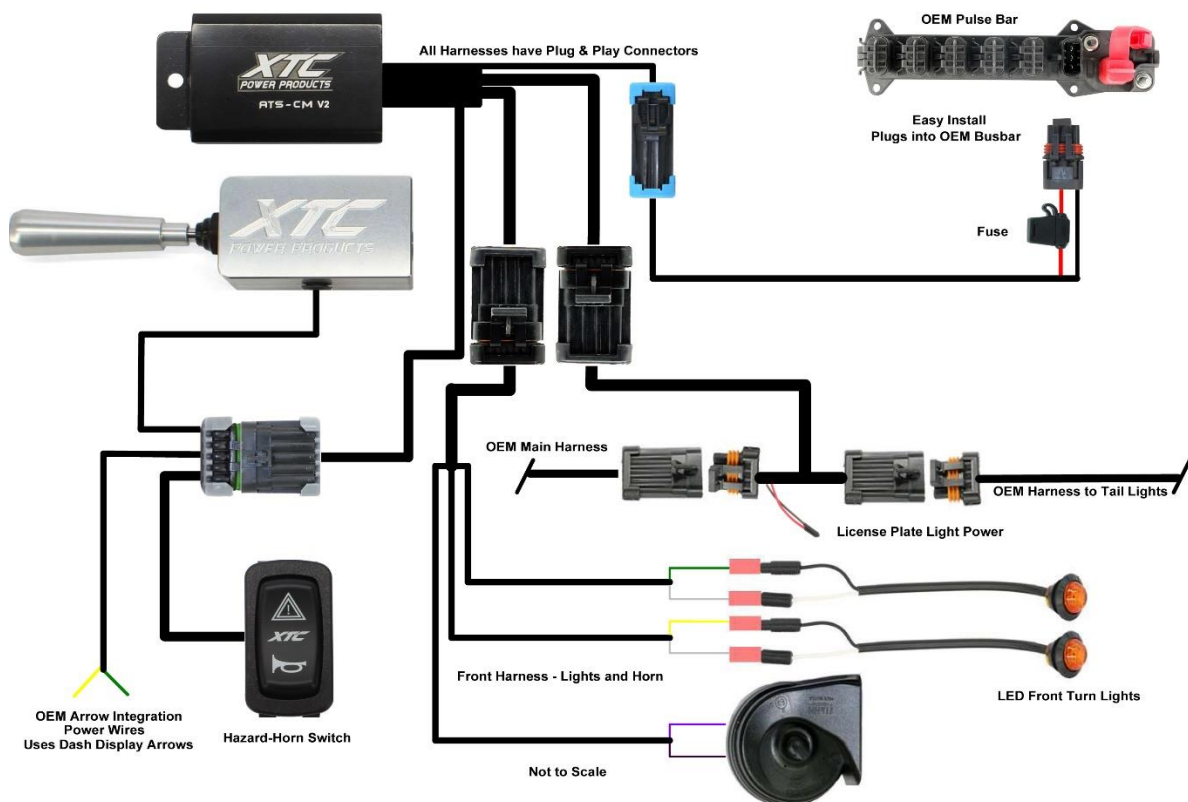


Polaris Ranger RBU Self-Canceling Turn Signal System

Thank you for purchasing XTC Power Products Automatic Self-Canceling Turn Signal System. Our Easy Install Turn Signal System is unique from the other kits on the market. This kit is from our Plug & Play™ product line, no wires to cut, no crimping with only power, ground and plugs into the OEM Tail Light Harness, utilizing the brake lights as Brake and Turn Signals.

Please remember that the Control Module and switches can be mounted in many places, we only give suggestions. We only interface with the OEM wiring at the Rear Light Harness and the Power Busbar Plugs in under the hood.

Please read the instructions fully and familiarize yourself with the components before starting the install. The diagram below shows the overall system layout.

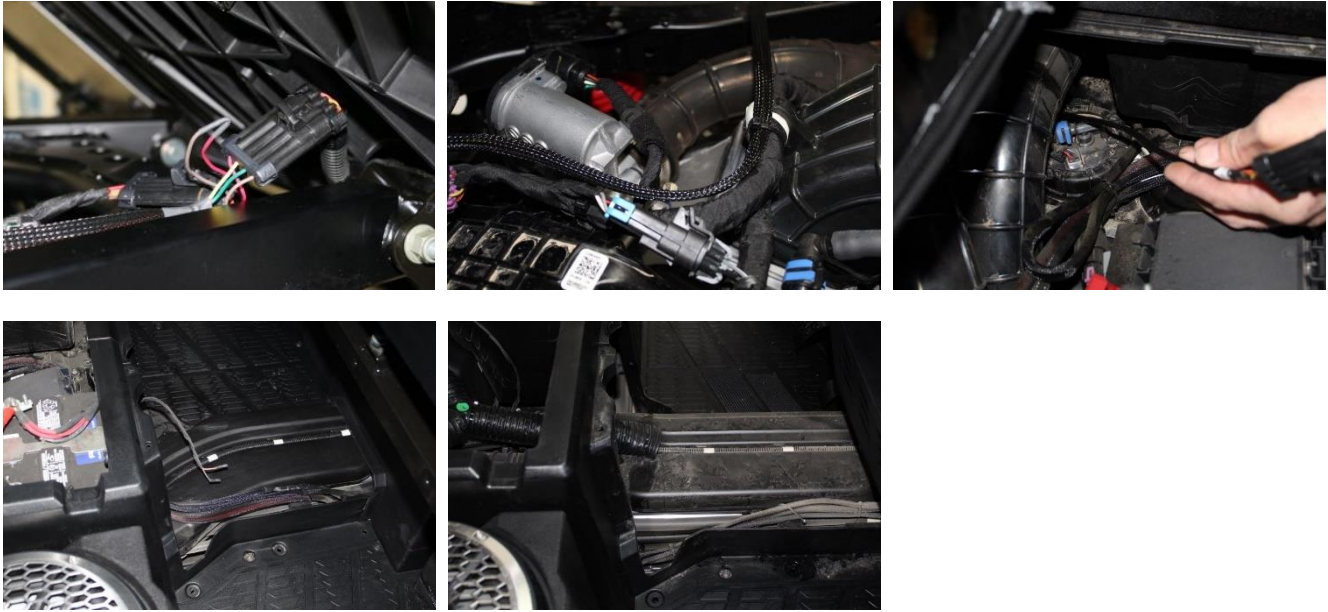


1. Remove the Hood and part of the dash cover. Mount the Control Module using the self-tapping screw provided.



WARNING! Make sure to keep the harness away from any hot or moving parts

2. Under the rear bed is the OEM rear taillight harness, unplug the rear taillight connector and plug our long harness inline. Run the other side with the 4 Pin connector, through the center by removing various covers leading up into the dash, through fire wall to the control module. Insert this connector into the mating module connector.



WARNING! Verify that there is clearance where you want to mount the front LED lights before drilling the holes.

3. Front LED Turn Lights – The front LED Turn Indicators can be mounted with the rubber grommet or without. If the grommet is **not** being used drill 5/8” holes. If the grommet is being used drill 3/4” holes. Remove and install the rubber grommet from the LED into the hole if being used. Insert LED into the hole with the Top marking up. NOTE: the TOP marking is on the front of the LED lens. The Lights may be mounted anywhere on the front of the car, for the sample we chose the corner of the trim because it can be seen from both the front and side of the car



4. Plug the short Front Harness into the Control Module. The Violet and Black go to the horn, the green and white wire go to the right side of the car and the yellow and white go to the left side, connect the green wire to right black wire and yellow wire to left black wire and white to white on both. **NOTE: The Black LED wire is positive and goes to the yellow and green wires, they will not work if reversed, white is ground. Secure the Harness using the provided cable ties.**
5. The Switch Harness has a 10-pin connector on it. Run the connector from inside the dash to the ATS control module and plug in.
6. Mount Billet Turn Handle – Run the billet handle wire from inside the dash to the steering wheel, remove the screw that holds the steering wheel tilt lever, discard the hardware removed, install the lever bolt through the removed bolt hole,

make sure to put the new bushing in the center and secure with the included nut. Line switch housing up and tighten mounting nut. Secure wire harness with included cable ties.



7. Install the Horn/Hazard Switch. On Pre 2021 models, use a new sharp razor, cut switch rectangles out. Do not over cut, try inserting switch and trim as necessary. It helps to rock the razor to cut. On newer models, remove one switch plug. Run the Horn wire connector through the rectangle switch cutout and use included grease on terminals, connect to switch and slide switch into dash.



Connect to OEM Dash Indicators - Note: The OEM Display Connector has power in it, disconnect the battery during installation.

There is a 2-wire harness that has green and yellow wires coming out of it. The Ranger uses the green and yellow wires to light the Arrows in the OEM instrument cluster.

8. Unplug Connector – From the rear of the Instrument Cluster. Using a small screwdriver push in on both sides at the white connector shown below and slide the lock off exposing the pins.

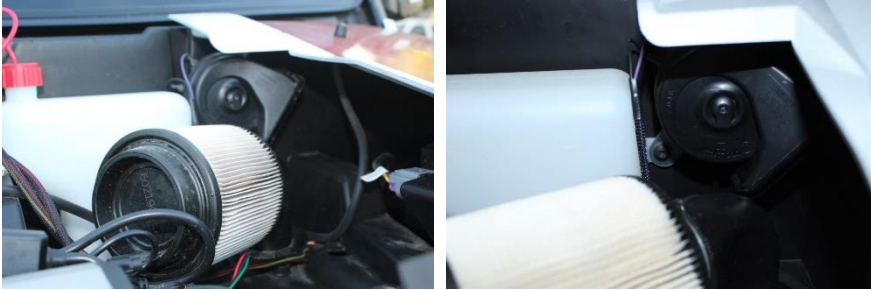


9. Remove Plugs – Using a pair of needle nose pliers remove the plugs from wire port 6 and 7, insert green wire terminal into 6 and yellow wire terminal into port 7.



10. Close Cover – Run ATS wires alongside the OEM harness and snap shut, re-install plastic locking cover and plug back in.

11. Install the Horn. Install the Horn mounting bracket to the horn. Remove the upper right screw that hold the radiator bottle and install horn. Connect the violet wire to one of the horn terminals and the black wire to the other terminal.



12. Plug the Power Harness into the Control Module. Run the power wire to the Busbar, remove one of the blanks and plug into the Busbar.



13. Verify operation. The System uses momentary switches to activate. Push up on the Lever for Right or down for Left accordingly. You can cancel the signal at any time by pushing the activated Lever a second time or it will cancel as follows:

Push 1 Second for Lane Change, will stay on approx. 8 Seconds / 10 Flashes

Push 2 Seconds for Slowing to Turn Corners, will stay on approx. 20 Seconds / 30 Flashes

Push 5 Seconds for Traffic Lights when stopping and waiting, will stay on approx. 75 Seconds /110 flashes

The Systems Automatic Self-Cancelling may be overridden/Shut Off at any time by pushing the activated switch.
Hazard Lights - press to activate and press again to deactivate, it does not self-cancel.

14. Using the provided Cable Tie's secure the harness completely. Reinstall removed parts and reconnect battery.
We can be reached by email at support@xtcpowerproducts.com

XTC Power Products
A Division of XTC Motorsports LLC
380 E Comstock Dr
Chandler AZ 85225
480-558-8588
www.xtcpowerproducts.com