

UTV Stereo



PRO Series 6.5" Performance Speakers

GENERAL FEATURES

Designed to Fit OEM & Aftermarket Enclosures

100% UV Protected

Removable RGB LED Grille

Dynamic, Crisp Highs & Balanced Mids

Neodymium Magnet

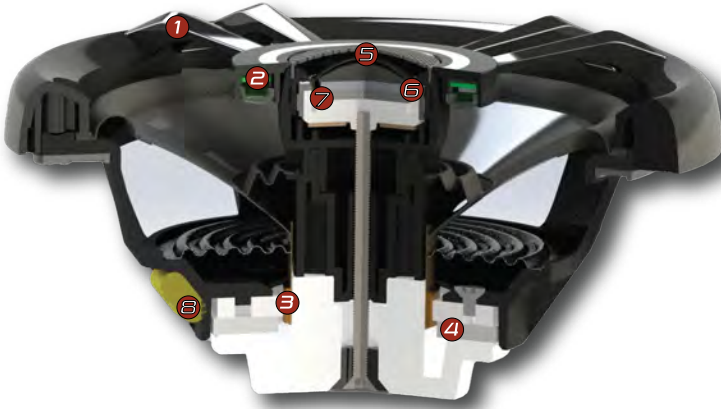
IP65 Rated - Dustproof & Splash Resistant

Built-In Crossover

PRO Series

6.5" Performance Speakers

SPEAKER BREAKDOWN



- ❶ REMOVABLE LED RGB GRILLE
- ❷ LED RING CHAMBER
- ❸ 35MM FOUR LAYER VOICE COIL (WOOFER)
- ❹ 75MM NEODYMIUM MAGNET (WOOFER)
- ❺ PREMIUM TETOLON DOME (TWEETER)
- ❻ 22MM VOICE COIL (TWEETER)
- ❼ 24MM NEODYMIUM MAGNET (TWEETER)
- ❽ BUILT-IN CROSSOVER

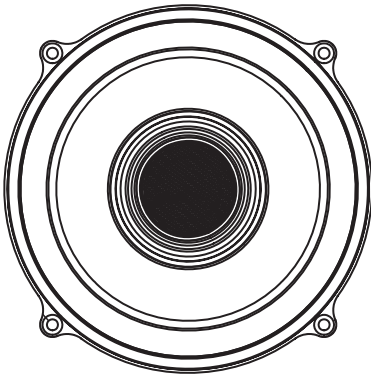
SPECIFICATIONS

Frequency Response: **45Hz-20KHz**
 Nominal Impedance: **4 Ohm**
 Sensitivity: **90dB @ 1W/1m**
 Continuous Power: **80W**
 Peak Power: **500W**

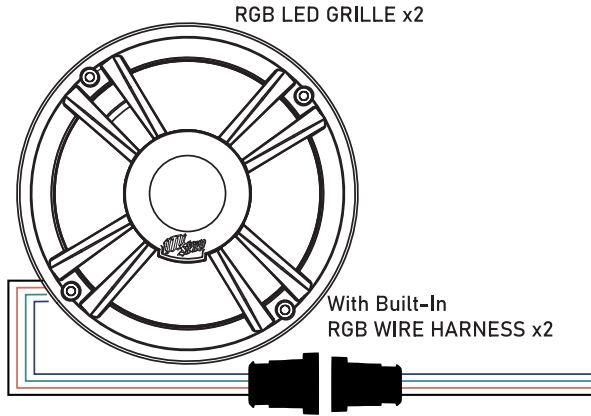
PRO Series

6.5" Performance Speakers

INCLUDED PARTS LIST



PRO-SERIES 6.5"
PERFORMANCE SPEAKER x2



RGB LED GRILLE x2

With Built-In
RGB WIRE HARNESS x2



REQUIRED FOR
NON-GRILLE INSTALLATION

SMALL GASKET x2



OEM HARNESS x2



REQUIRED FOR
GRILLE INSTALLATION

LARGE GASKET x2



3X35mm
PHILLIPS HEAD
BUTTON SCREWS
X8



3X10mm
PHILLIPS HEAD
COUNTERSUNK SCREWS
X8



M4-.7X21mm
PANHEAD
MACHINE SCREWS
X8



FEMALE TERMINAL CONNECTORS
X4



M4-.7X12mm
COUNTERSUNK
MACHINE SCREWS
X8

THANK YOU FOR CHOOSING UTV STEREO PRODUCTS

Thank you for choosing UTV Stereo products. Your purchase of this UTV Stereo product for use in your UTV indicates your desire for reliability and performance audio that only comes from UTV Stereo.

UTV Stereo is your premier audio manufacturer. We offer the highest quality products designed for your SXS. Stay one step ahead when you purchase UTV Stereo products.

To take full advantage of the UTV Stereo Pro-Series 6.5" Speakers, please read and follow the instructions in this manual.

Designed for high performance audio systems, these speakers are built rugged to withstand the elements with an IP65 dustproof and water-resistant rating. These Pro-Series 6.5" Performance Speakers have been designed specifically for use in SxS's!

INSTALLATION

Professional installation by an authorized UTV STEREO dealer is highly recommended! Otherwise, the performance of your new gear may not be satisfactory. In the event that you decide to do your own installation, please read and follow this manual very carefully. Failure to do so may compromise the integrity of this product or your vehicle, and possibly void this product's warranty.

PLEASE NOTE

PLEASE NOTE



THERE ARE THREE OPTIONS FOR INSTALLATION



PLEASE NOTE

PLEASE NOTE

Option #1 - OEM DASH INSTALLATION: We have designed this speaker with a removable RGB LED Grille to fit into the OEM dash speaker housing on RZR® Pro Series Models. OEM Housing mount does not allow for use of included Pro Series RGB LED Grille.

Option #2 - UNIVERSAL INSTALLATION: Follow these instructions (beginning on (Page 08) to install Pro Series 6.5" speaker using the RGB LED Speaker Grille on universal 6.5" speaker enclosures.

Option #3 - OEM REAR INSTALLATION: Combine techniques of Option #1 and #2 to mount into Rear OEM Enclosure.

Option #1: OEM DASH INSTALLATION

Option #1:
OEM INSTALLATION

Designed to fit RZR® Pro Series Models
OEM Instructions begin on **Page 04**.

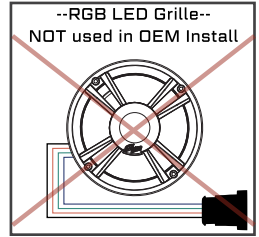
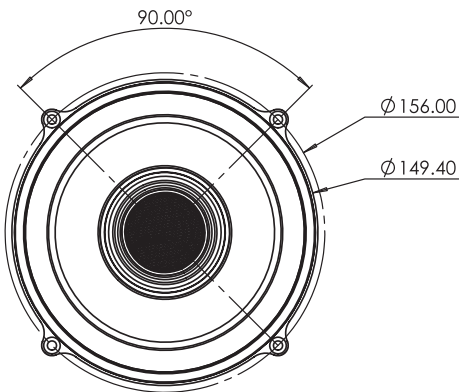
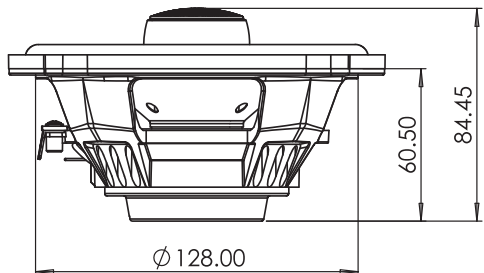


FIGURE A

DIMENSIONS FOR OEM INSTALL



--RGB LED Grille--
NOT used in OEM Install



Option #1: OEM DASH INSTALLATION

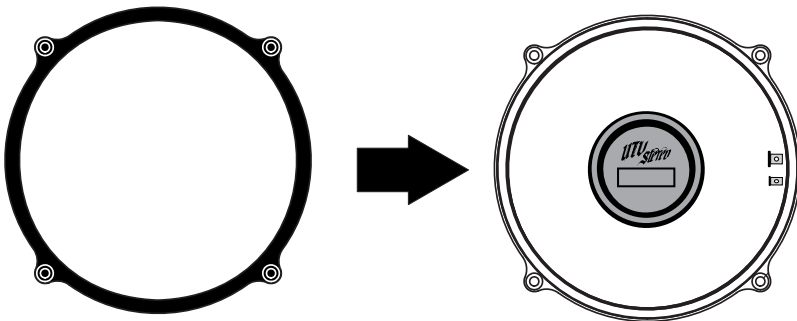
**REQUIRED PARTS
FOR OEM DASH INSTALL**

PRO-SERIES 6.5"
Performance Speaker
x2

Small Gasket
x2

OEM Harness **(REQUIRED- Incl. In Box)**
x2

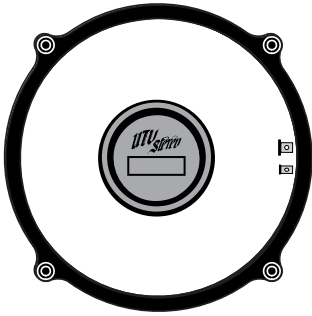
M4-7X12mm
COUNTERSUNK
MACHINE SCREWS
x8




STEP 1: Line up holes and apply Small Rubber Gasket (adhesive side down) to the back of the Pro-Series Speaker.

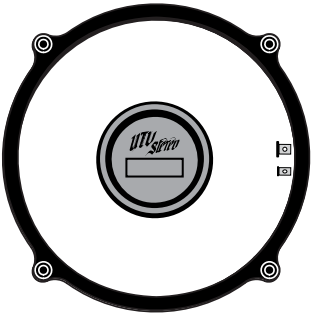
Option #1: OEM DASH INSTALLATION

OEM DASH INSTALLATION CONT.



 Failure to use the included OEM harness **WILL** result in poor sound quality.
PLEASE NOTE

STEP 2: Attach the Female ends of the Included OEM Harness to the (Male) Terminals on the back of the Pro-Series Speaker, respectively.



STEP 3: Attach the Male ends of the OEM harness into the Female ends (Female ends come standard in your OEM speaker housing.)

STEP 4: Mount the speaker to your OEM housing as shown in **Figure A** on **Page 05** using the included **M4-.7x12mm Panhead Machine Screws**.

OEM DASH INSTALLATION COMPLETE

Option #2:

UNIVERSAL INSTALLATION

Designed to fit Standard 6.5" Speaker Enclosures
UNIVERSAL Instructions begin on Page 09.

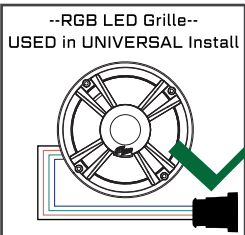
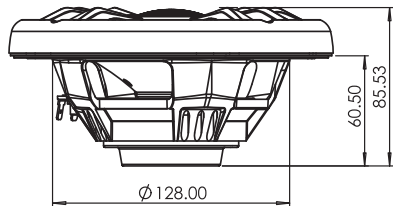
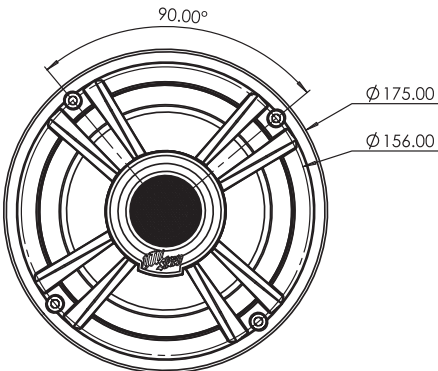


FIGURE B

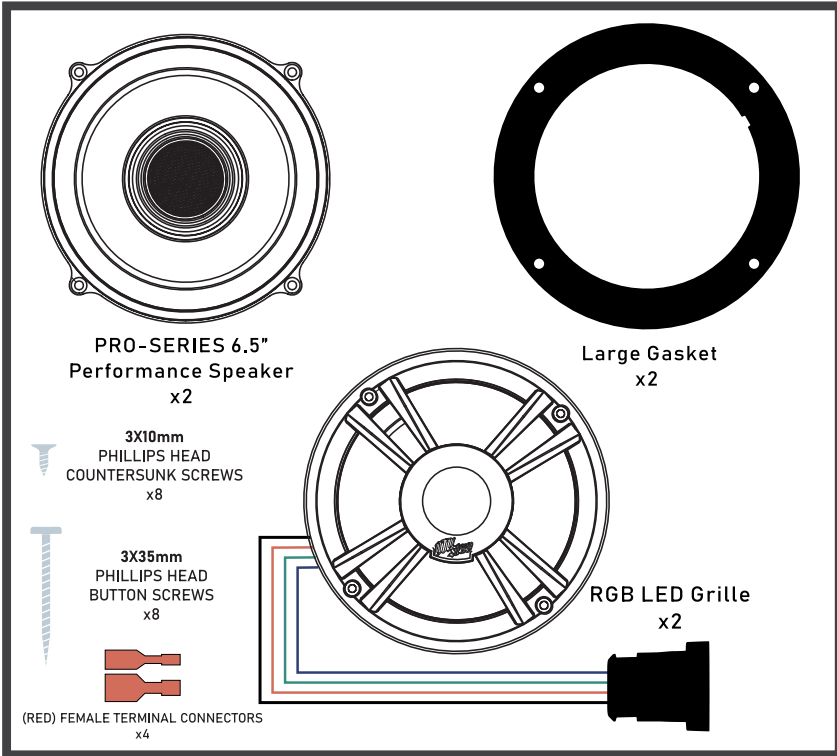
DIMENSIONS FOR UNIVERSAL INSTALL

--RGB LED Grille--
 USED in UNIVERSAL Install

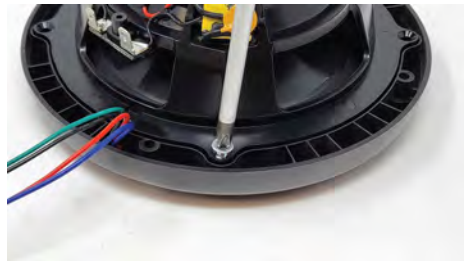


Option #2: UNIVERSAL INSTALLATION

REQUIRED PARTS
FOR UNIVERSAL INSTALL



UNIVERSAL INSTALLATION



STEP 1: Attach the RGB LED Grille to the front of the speaker using 4 of the included Phillips Head 3x10mm countersunk screws per each Speaker & Grille. Make sure the notch in the speaker lines up with the notch in the grille so that RGB wires can pass through without being pinched.

UNIVERSAL INSTALLATION CONT.



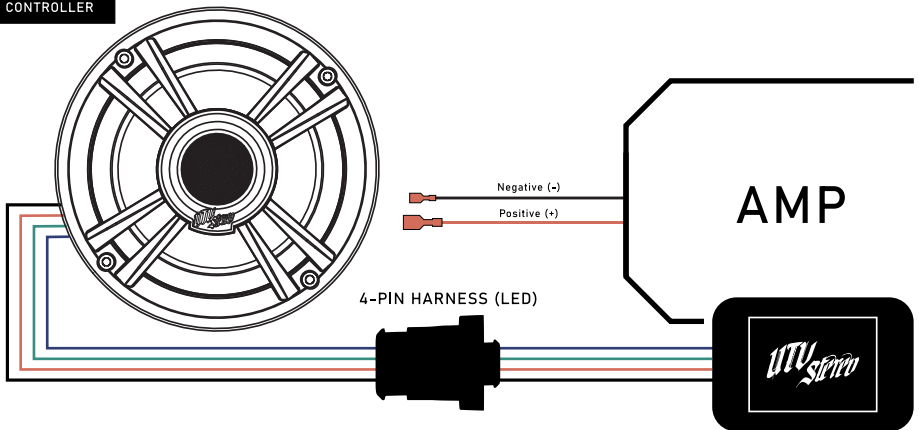
STEP 2: Run the LED RGB Grille Harness wires through the notch in the speaker.



STEP 3: Set the Large Gasket (Adhesive side down) on top of the RGB LED Grille Harness wires, making sure the notch in the gasket lines up with the notch in the speaker.

WIRE ORIENTATION
FOR RGB CONTROLLER

UTVS-P654



STEP 4: Crimp the included (RED) Female Terminal Connectors onto the speaker wires coming from the amplifier, and insert onto terminals of the speaker. If desired you may now add an optional UTV Stereo BT RGB Controller. For complete RGB functionality. Simply plug the UTV Stereo BT RGB Controller into existing Pro-Series RGB LED Harness following instructions included with the UTV Stereo BT RGB Controller.

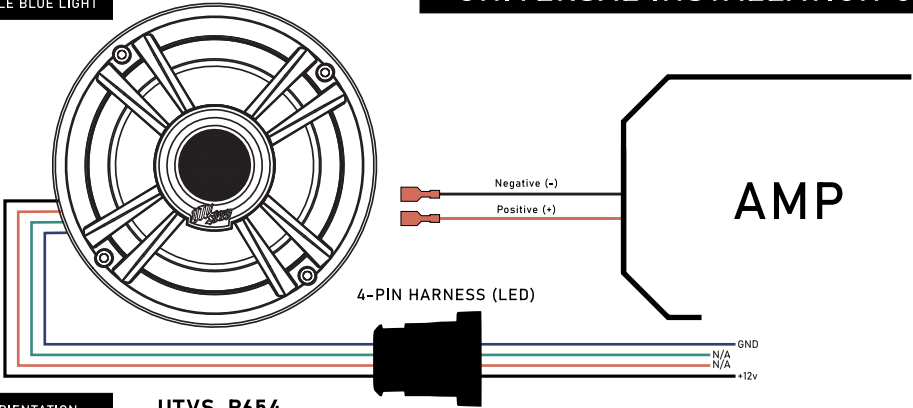
BLUETOOTH RGB
CONTROLLER
(SOLD SEPARATELY)
RGB-BTKIT

Option #2: UNIVERSAL INSTALLATION (RGB ORIENTATION)

UNIVERSAL INSTALLATION CONT.

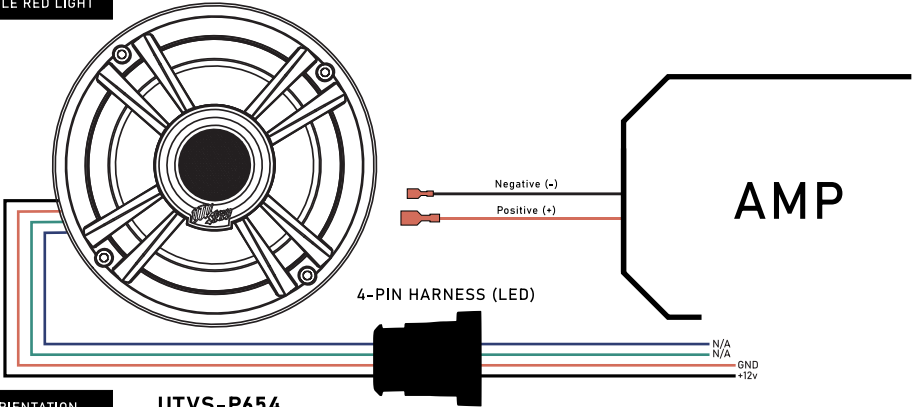
WIRE ORIENTATION
FOR SINGLE BLUE LIGHT

UTVS-P654



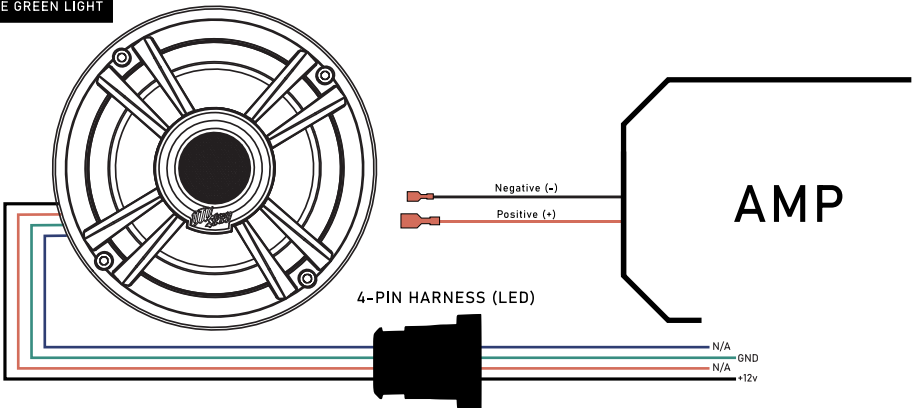
WIRE ORIENTATION
FOR SINGLE RED LIGHT

UTVS-P654



WIRE ORIENTATION
FOR SINGLE GREEN LIGHT

UTVS-P654



UNIVERSAL INSTALLATION COMPLETE

Option #3:

OEM REAR INSTALLATION

Designed to fit Rear OEM RZR® Pro Series Models
6.5" Speaker Enclosures

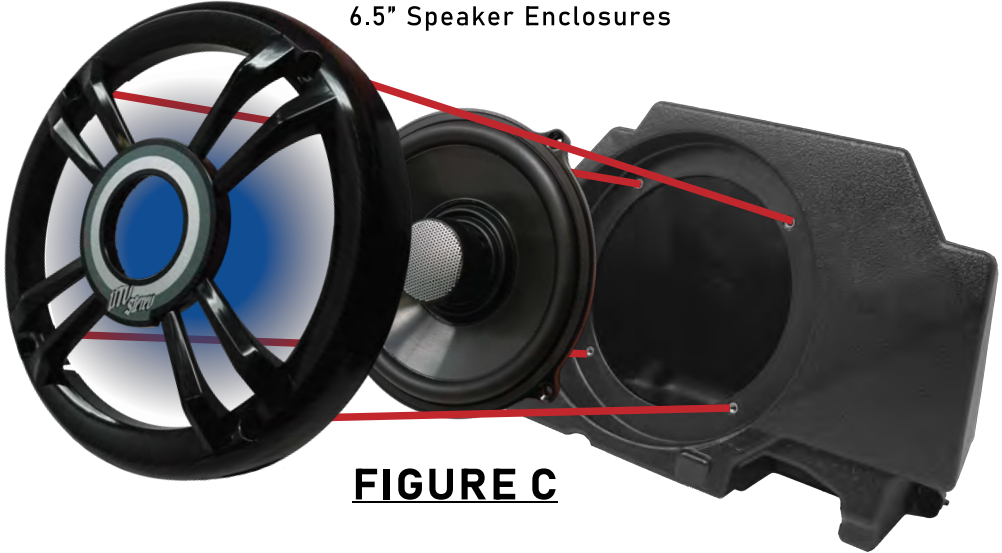
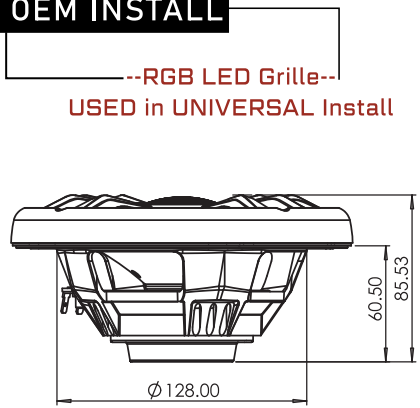
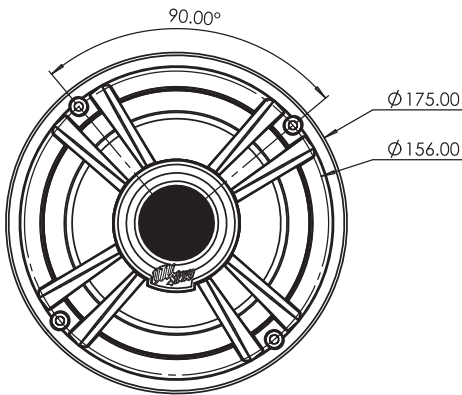


FIGURE C

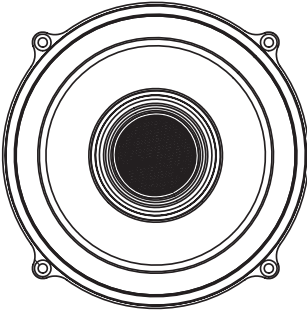
DIMENSIONS FOR REAR OEM INSTALL



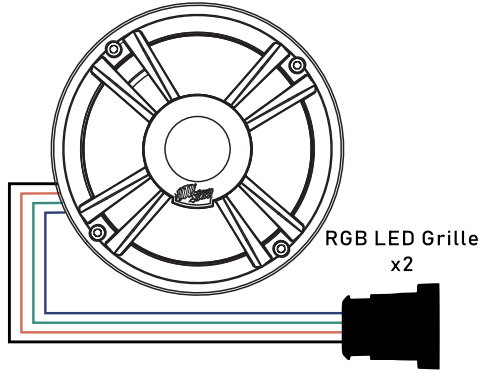
If RGB LED connection is desired additional parts and labor required.
PLEASE NOTE

Option #3: OEM REAR INSTALLATION

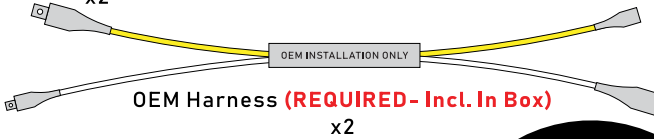
REQUIRED PARTS
FOR OEM REAR INSTALL



PRO-SERIES 6.5"
Performance Speaker
x2



RGB LED Grille
x2



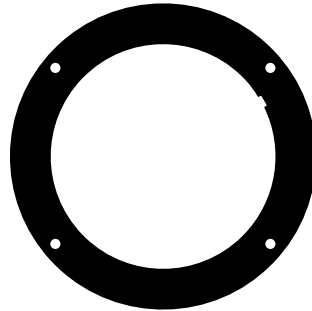
OEM Harness **(REQUIRED - Incl. In Box)**
x2



M4-7X18mm
PANHEAD
MACHINE SCREWS
x8



3X10mm
PHILLIPS HEAD
COUNTERSUNK SCREWS
x8



Large Gasket
x2



BLUETOOTH RGB
CONTROLLER
(SOLD SEPARATELY)
RGB-BTKIT



If RGB LED connection is desired,
additional parts and labor required.

PLEASE NOTE

OEM REAR INSTALLATION



STEP 1: Attach the RGB LED Grille to the front of the speaker using 4 of the included Phillips Head 3x10mm countersunk screws per each Speaker & Grille. Make sure the notch in the speaker lines up with the notch in the grille so that RGB wires can pass through without being pinched.



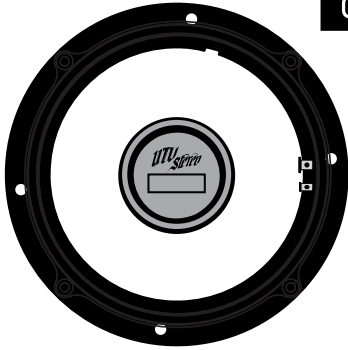
STEP 2: Run the LED RGB Grille Harness wires through the notch in the speaker.



STEP 3: Set the Large Gasket (Adhesive side down) on top of the RGB LED Grille Harness wires making sure the notch in the gasket lines up with the notch in the speaker.

Option #3: OEM REAR INSTALLATION

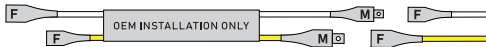
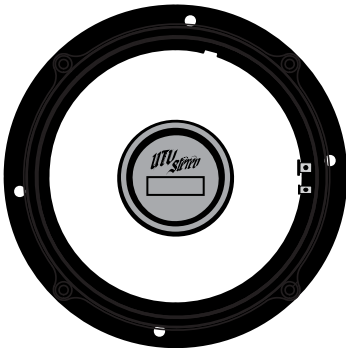
OEM REAR INSTALLATION CONT.



PLEASE NOTE

Failure to use the included OEM harness **WILL** result in poor sound quality.

STEP 4: Attach the Female ends of the included OEM Harness to the (Male) Terminals on the back of the Pro-Series Speaker, respectively.

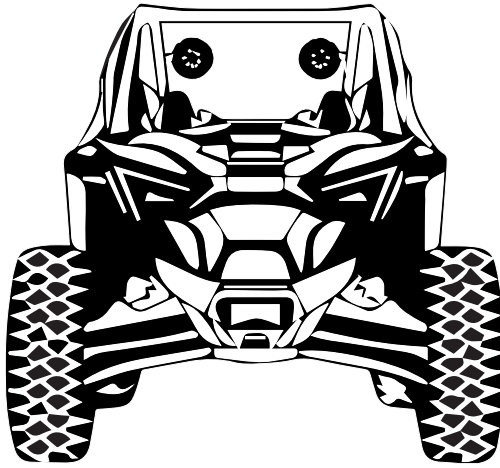


OEM
SPEAKER
HOUSING

STEP 5: Attach the Male ends of the OEM harness into the Female ends (Female ends come standard in your OEM speaker housing.)

STEP 6: Mount the speaker to your OEM housing as shown in **Figure C** on **Page 12** using the included **M4-.7x18mm Panhead Machine Screws**.

OEM REAR INSTALLATION COMPLETE



WARRANTY

Should your product require service, please consult with the dealer from which it was purchased or contact a local UTV STEREO dealer directly. Units received without an accompanying return authorization number will not be processed. Please contact your UTV Stereo dealer or contact UTV Stereo directly to obtain a return authorization number. Additionally, you must include a copy of your purchase receipt from an authorized UTV Stereo dealer for consideration of an in-warranty service. Units received without a receipt will be held for 30 days. Allowing us time to contact you and obtain a copy of the receipt. After 30 days, all units will be returned.



**DO NOT SUBMERGE THIS PRODUCT.
THIS WILL VOID YOUR WARRANTY.**

UTV STEREO and the UTV STEREO logo are registered trademarks.
All other brand names are trademarks or registered trademarks of their respective owners.
These trademark holders are not affiliated with UTV Stereo.
All rights reserved. Designed in USA.

Copyright© 2023 UTV STEREO

Tel, 480-616-2299
Address: 7561 East Baseline Road Mesa, AZ 85209