

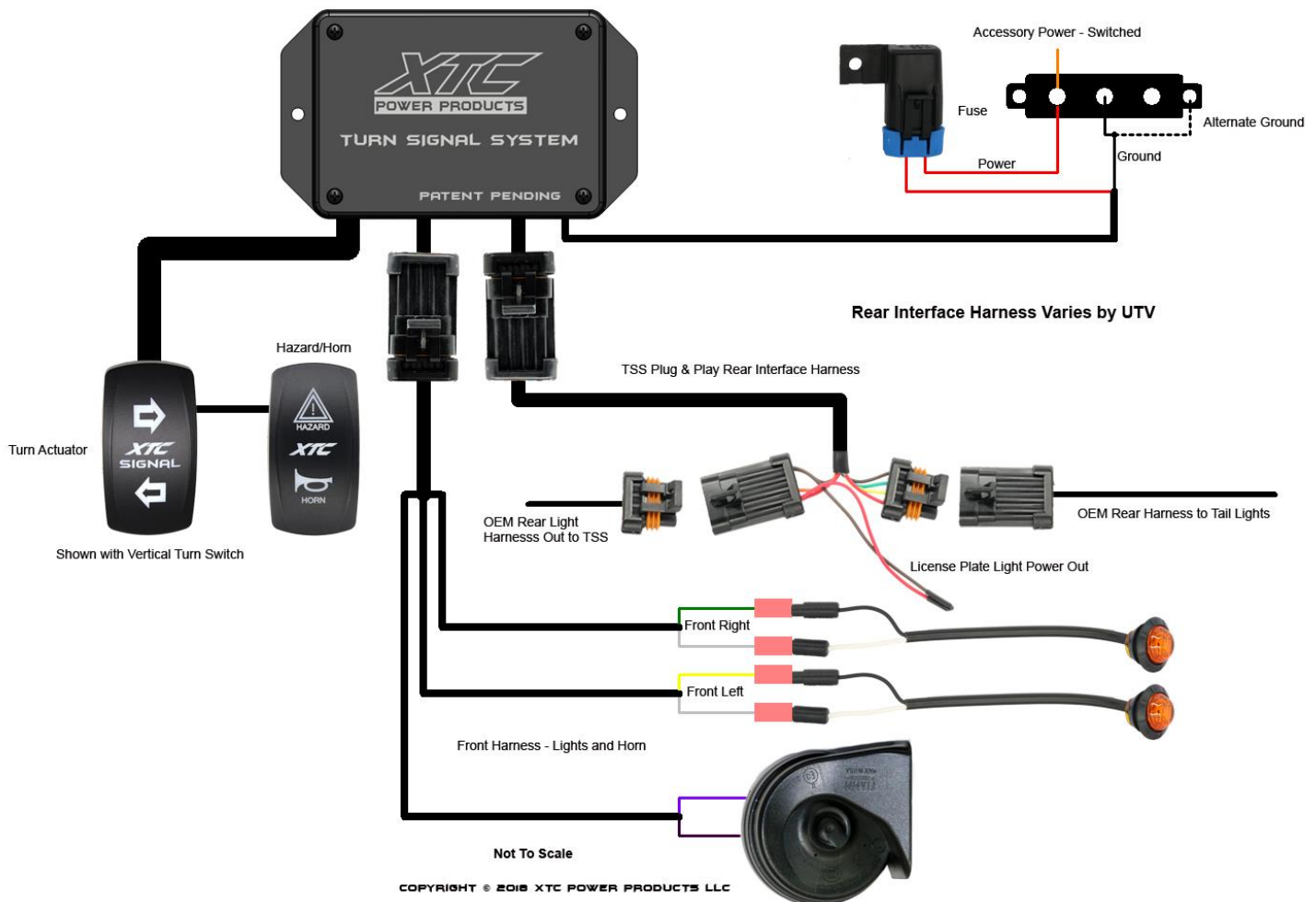


# TSS-XP16 - RZR XP TURN SIGNAL SYSTEM

Thank you for purchasing XTC Power Products Turn Signal System - Patent Pending. Our new Easy Install Turn Indicator Kit is unique from the other kits on the market. This kit is from our Plug & Play™ product line, no wires to cut, no crimping with only power, ground and plug it into the OEM harness. Like many cars on the road today, our kit uses the factory brake lights as turn indicators.

TSS-XP16 Fits 2015+ RZR XP's 2 Seat and 4 seat, both Turbo and Non-Turbo, RZR 900S, 1000S

## TSS RZR XP System Diagram



For more details on installation go to [www.xtcinstall.com](http://www.xtcinstall.com)

Please read the instructions fully and familiarize yourself with the components before starting the install.

1. **Remove the hood** - and remove two Torx screws and remove dash cover.
2. **Mount Control Unit** under dash on the center of cross bar with supplied self-tapping screws.



3. **Run Rear Harness** - There are two ways you can run the harness, under skid plate along the brake line OR inside center hump along seat belt anchors by removing the seats and center plastics. Starting from the Rear of the car at the OEM Rear Light Connector, Run the long harness with the single 4 Pin Connector through the center of the car (either way as stated above) up the outside of the firewall through the rubber grommet to the control box and plug in. **Secure cable using the supplied cable tie's making sure to keep the harness away from any Hot or Moving parts.**



4. **Plug rear Harness into OEM Connector** - Unplug wire harness at rear left side and connect our harness, see photo below. (Note: There is a Red and Brown power wire provided for an optional license plate light).



Stock Connector



XTC Harness connector installed

**WARNING! Verify that there is clearance before drilling holes for the LED's or switches.**

5. **Install Front LED Turn Lights** – The front LED Turn Indicators can be mounted with the rubber grommet or without. If the grommet is **not** being used drill 5/8” holes. If the grommet is being used drill 3/4” holes. Remove and install the rubber grommet from the LED into the hole if being used. Insert LED into the hole with the Top marking up. NOTE: the TOP marking is on the front of the LED lens.



Run the short front harness through rubber grommet to the front right LED. Connect the green wire to the black and the white to white, continue harness to left LED, yellow wire attaches to black wire and the white wire goes to white. NOTE: Black wire is positive and will not work if reversed. White is ground. Secure the Harness using the provided cable ties.

**WARNING! Verify that there is clearance behind dash for switch's.**

6. **Install Turn Switch** - Using the provided switch template, mark the rectangle for the switch and drill a hole in each corner, using a sharp box knife cut out the rectangle. Install the housing, push the switch wires through and apply grease (see Below) attach to switch and install in dash.



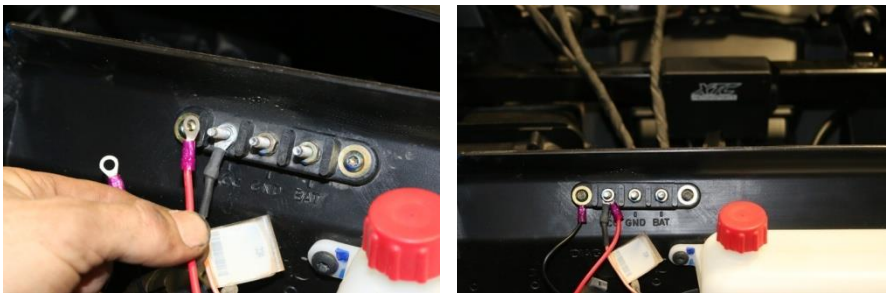
**Dielectric Grease** - LED flashers by design take very little current to activate. When water gets on the dash and lands on the top of the switch, it can trickle to the connector causing it to activate the flasher by using the switches LED indicator, the system will continue to operate and does not hurt the system but will continue clicking until the switch terminals dry. Just like the OEM we recommend using Dielectric Grease on all switch terminals, this keeps the water out and will stop the clicking, it also reduces corrosion and increases reliability! Open the grease and put on the switch terminals and the connector terminals, the more the better, also put some on the Hazard switch terminals. It should also be used on any extra switches that you may have installed.

7. **Install Hazard Horn Switch** - Using the Hazard/Horn switch housing as a template, mark the rectangle for the switch and drill a hole in each corner, using a sharp box knife cut out the rectangle. Install the housing, push the switch wires through and apply grease (see Above) attach to switch and install in dash.

8. Remove the bolt from the radiator support bracket and mount horn and ground wire as shown. Run the purple wire through the grommet on the fire wall and attach to horn. For Turbo's remove the Torx screw holding the body and install bracket between plastics and re install screw.



9. Run power wire to 12vdc accessory stud under the hood and ground the black wire to the Busbar screw. **Note: 2015 and 2016 RZR's do not have a ground hooked on the factory Busbar stud under the hood unless the power up kit was installed.**



10. Verify operation of all lights.
11. Cable tie any extra harness under dash
12. Reinstall dash cover, hood, center tunnel and seats or skid plates if removed.

We can also be reached by email at [support@xtcpowerproducts.com](mailto:support@xtcpowerproducts.com)

**XTC Power Products**  
A Division of XTC Motorsports LLC  
380 E Comstock Dr.  
Chandler AZ 85225  
480-558-8588  
[www.xtcpowerproducts.com](http://www.xtcpowerproducts.com)

\*Disclaimer: This kit is intended for off road use only and XTC Motorsports claims no responsibility for its use. It is up to the purchaser to make sure it complies with all Federal, State and Local laws

