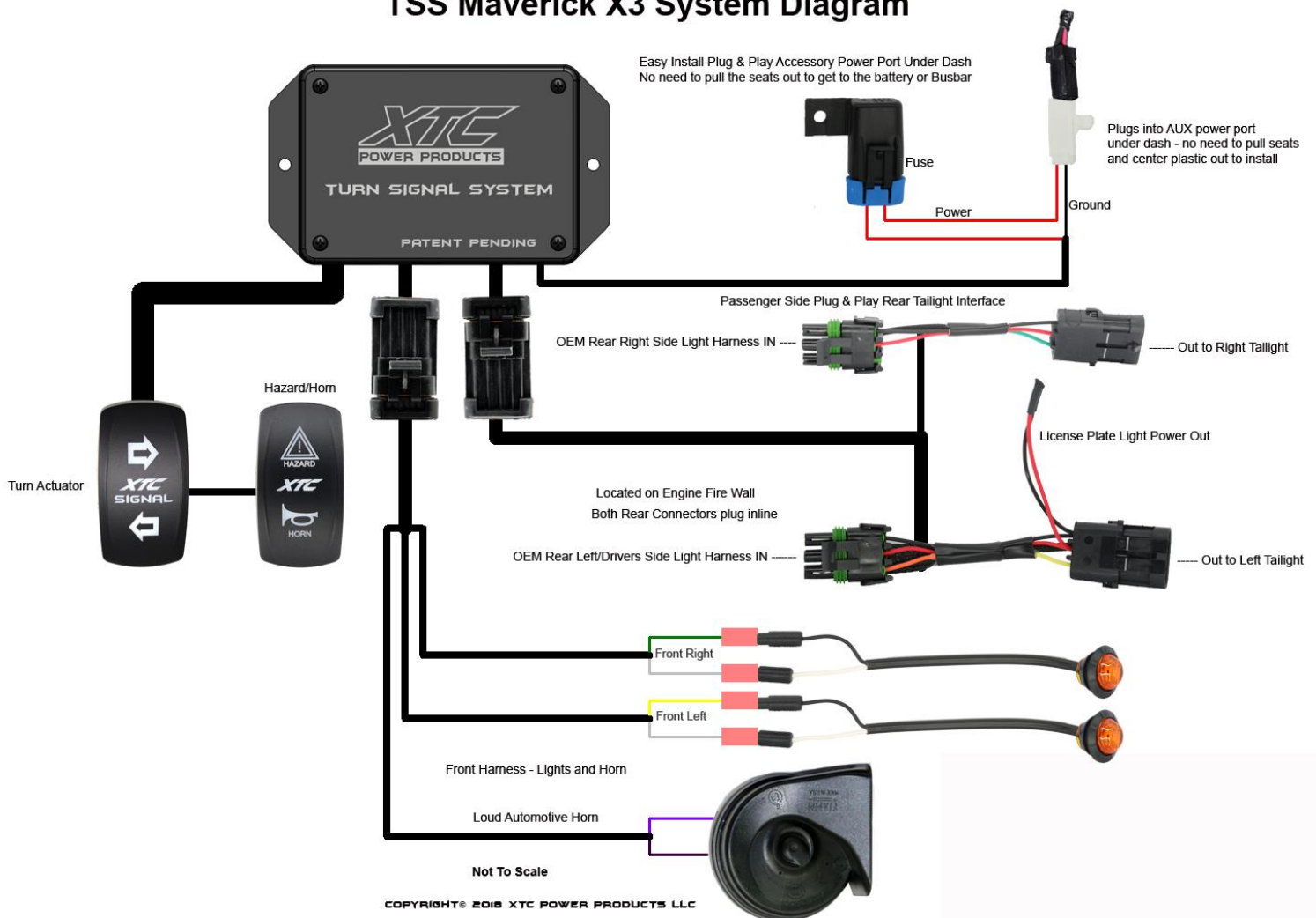




MAVERICK X3 TURN SIGNAL SYSTEM

Thank you for purchasing XTC Power Products Turn Signal System. Our new Easy Install Turn System is unique from the other kits on the market. This kit is completely plug and play, no wires to cut, no crimping with only power, ground and plug it into the OEM harness. Like many cars on the road today, our kit uses the factory brake lights as turn indicators. TSS-MAV3 fits 2 and 4 seat models

TSS Maverick X3 System Diagram



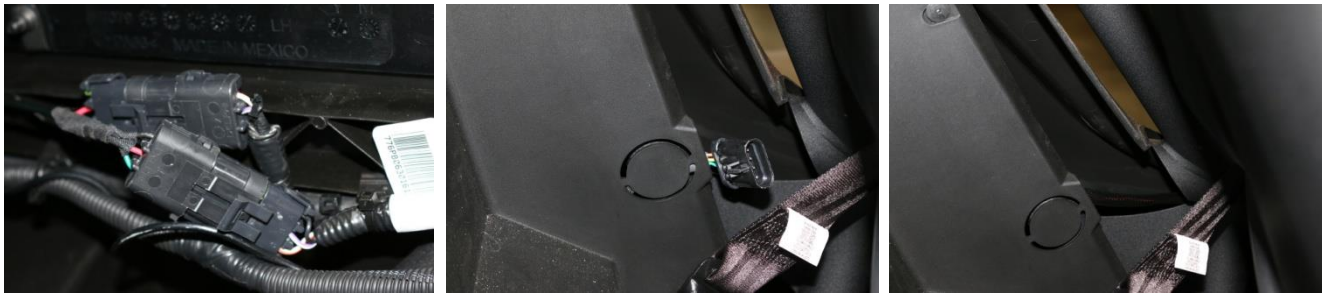
For more details on installation go to www.xtcinstall.com

Please read the instructions fully and familiarize yourself with the components before starting the install.

1. **Remove** the driver side kick panel by removing the two Torx screws
2. **Mount Control Unit** on the kick panel as shown. Mount as high as possible on the flat area in the center of the kick panel using the provided screws.



3. **Run the Rear Harness** - Starting at the rear driver's side light harness, these connections are on the plastic wall in the front engine area, take the end of the cable with two connectors on it and run it from the OEM Rear Light Harness on the Driver's side to the OEM Rear Light Harness on the Passenger side, follow the factory wiring, unplug both harness and install our harness into the factory harness. Secure using the supplied cable ties



Run the other end - of the rear harness to the front kick panel. The plastic has a perforated circle behind the driver's seat or rear seat behind the driver on the MAX, at this location you can push the rear harness single connector through the plastic gap to the passenger compartment, follow the frame along the driver's side, the harness can be hidden in the side panels and goes up behind the removed kick panel over the frame rail.

4. Re install the Kick Panel with the mounted control Box, the rear harness that was run will be run over the top of the kick panel, plug rear harness into control box.

WARNING! Verify that there is clearance before drilling holes for the LED's or switches.

5. **Install Front LED Turn Lights** – The front LED Turn Indicators can be mounted with the rubber grommet or without. If the grommet is **not** being used drill 5/8" holes. If the grommet is being used drill 3/4" holes. Remove and install the rubber grommet from the LED into the hole if being used. Insert LED into the hole with the Top marking up. NOTE: the TOP marking is on the front of the LED lens.



6. **Install Front Harness** - Starting from behind the radiator run the short front harness's 4 pin connector through center rubber seal along the factory wiring, from the inside pull it through and run it over the brake mount and steering mount over to control box, plug into the control box mounted on the kick panel.



7. **Attach Front Harness to lights** - The Green and white wire go to the right/passenger side LED, attach the Green to the Black and the White to the White, the Yellow and white wire go to the Left/Driver side LED, attach the yellow to the Black and the white to the White (above right photo). NOTE: Black wire is positive and go to the Green and Yellow, they will not work if reversed. White is ground. Secure the Harness using the provided cable ties.
8. **Install Turn Switch** - Remove one of the switch blanks and run our 8-pin switch connector through the opening, grease the terminals with the supplied grease and attach to our switch and insert the switch into the opening.



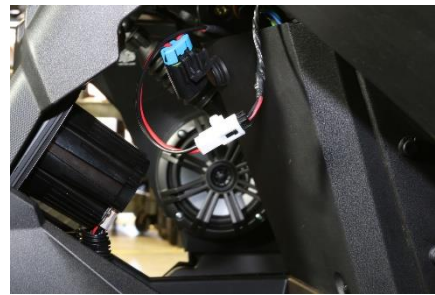
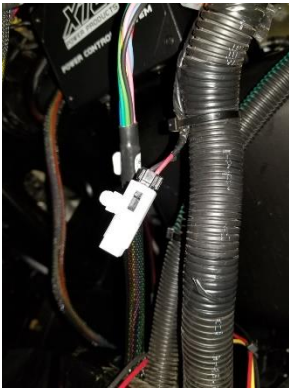
9. **Install Hazard/Horn Switch** - - Remove one of the switch blanks and run our 10-pin switch connector through the opening, grease the terminals with the supplied grease and attach to Hazard/Horn switch and insert the switch into the opening.

Note: Dielectric Grease - LED flashers by design take very little current to activate. When water gets on the dash and lands on the top of the switch, it can trickle to the connector causing it to activate the flasher by using the switches LED indicator, the system will continue to operate and does not hurt the system but will continue clicking until the switch terminals dry. Just like the OEM we recommend using Dielectric Grease on all switch terminals, this keeps the water out and will stop the clicking, it also reduces corrosion and increases reliability! Open the grease and put on the switch terminals and the connector terminals, the more the better, also put some on the Hazard/Horn switch terminals. It should also be used on any extra switches that you may have installed.

10. **Install Horn** - Install the horn bracket onto the horn with the provided hardware. Remove the bolt from the brake line T mount next to the rubber grommet in the fire wall and install Horn Bracket under it and reinstall bolt. Attach Violet and Black wire from front harness to the horn terminals.



11. **Run power wire** – Remove the **Center** plastic cover under the dash exposing the main wire harness. Cut the cable tie and that holds the AUX Plug to make it simpler to use, the connector maybe in the back of the harness hidden, un-plug the OEM accessory port cover (White Plug) by pushing the center button.
12. Run the TSS power wire over to this connector, Plug the TSS into this port, it shares the same fuse as the accessory outlet on the dash(Cigar-Lighter). If the accessory port is already being used, we offer a Can-Am power port splitter.



13. Verify operation of all lights. Cable tie any extra harness under dash.

For more details on installation go to www.xtcinstall.com. We can also be reached by email at

XTC Power Products
A Division of XTC Motorsports LLC
380 E Comstock Dr.
Chandler AZ 85225
480-558-8588
www.xtcpowerproducts.com

*Disclaimer: This kit is intended for off road use only and XTC Motorsports claims no responsibility for it use. It is up to the purchaser to make sure it complies with all Federal, State and Local laws.

R8.1

Copyright © 2022 XTC MOTORSPORTS LLC, all rights reserved.