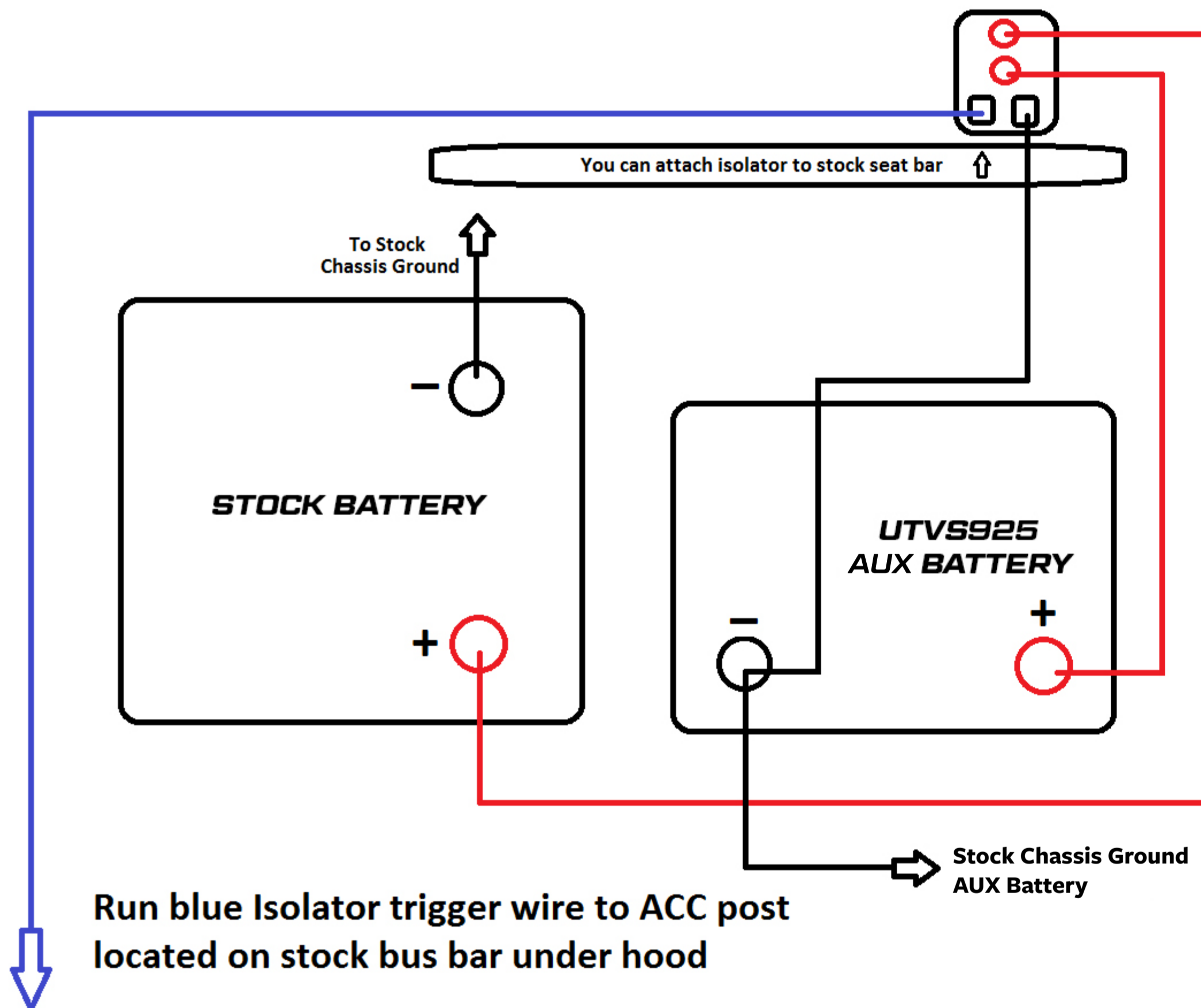


# Polaris RZR 1000cc / Turbo 2nd Battery Kit

*Fits all years, 2 or 4 seat models including Turbo S*

UTV Stereo Platinum Series Battery (UTVS925)

**(DOES NOT FIT PRO XP MODELS)**



Run blue Isolator trigger wire to ACC post located on stock bus bar under hood

**Key ON** - Both batteries are connected. Stator will automatically charge the lowest battery. Generally this will be the AUX battery.

**Key OFF** - Batteries are disconnected from each other. Make sure to wire all aftermarket equipment to the AUX battery.

*\*Always use a battery maintainer/charger while vehicle is stored to ensure proper battery health. If you plan on maintaining two batteries at the same time, check out our Dual Bank Battery Charger to maintain two batteries at once.*



UTV Stereo  
7561 E. Baseline Rd  
Mesa, Arizona 85209

www.utvstereo.com  
info@utvstereo.com  
Instagram: @utvstereo  
facebook.com/utvstereo