

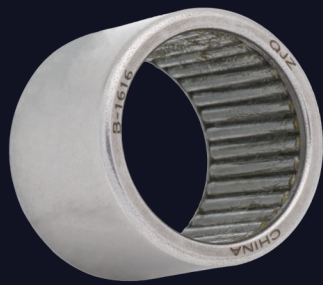
SINCE 1994

BEARINGS 2000



TRAILER PARTS CATALOG

www.Bearing2000.com



Needle bearing



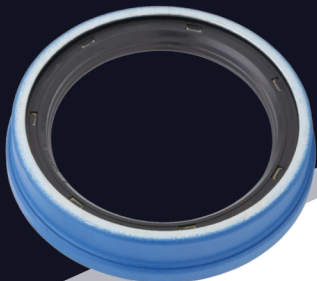
Mounting Units



Mounting Units



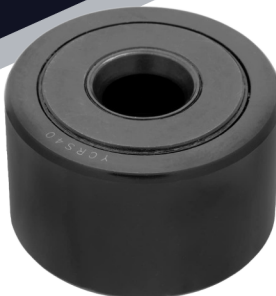
Rod End



Oil seal



Ball Bearing



Cam Bearing



Roller Bearings



Steering Knuckle Bearing



Plastic Chain



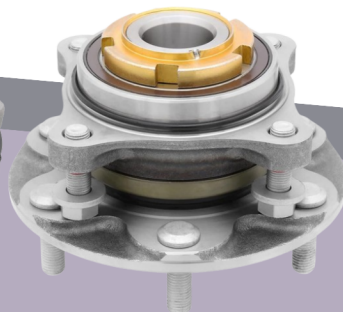
Chain



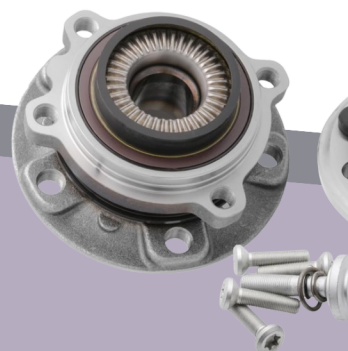
Bearing & Seal Kit



Wheel Hub Assembly ABS



Wheel Hub Assembly



Wheel Hub Assembly Kit



Wheel Hub Assembly

CONTENTS

Introduction.....	1
Trailer Kits.....	2
Grease Seals.....	10
Trailer Bearings.....	11
Spindles.....	13
Brake Assemblies.....	15
Hub Drums.....	16
Idler Hubs.....	17
Trailer Hardware.....	19
Leaf Springs.....	23



Introduction

Who are we?

For over three decades, **Bearings 2000** has been your go-to destination for high-quality trailer and industrial parts. Established in 1994, we have built a solid reputation for delivering top-notch products and exceptional service. We are thrilled to present our trailer parts catalogue, showcasing our extensive range of trailer parts.

Why Choose Bearings 2000?

Extensive Product Range: Along with our trailer parts, Bearings 2000 carries over 6000 different SKUs, providing you with a comprehensive selection of **trailer seals, industrial seals, stainless steel bearings, rod ends, mounted units, and more**. Whatever your specific requirements may be, we have the solution for you.

Quality Assurance: We are committed to delivering products of the highest quality. Our rigorous quality control standards ensure that every item we offer meets or exceeds industry standards, giving you peace of mind with every purchase.

30 Years of Experience: Our team of experts possesses extensive knowledge and experience in the industry. Whether you have questions about product selection or require technical assistance, our friendly and knowledgeable staff is here to assist you.

Full Scale Capabilities: Located in the heart of Ontario, California, our large 70,000 square-foot facility is strategically positioned to serve customers across the region and beyond. We are your local source for world-class products with the ability to serve any-sized market.

We sincerely thank you for considering us as your trusted partner. Your satisfaction is our priority, and we look forward to serving you for many more years to come.

Feel free to browse through our catalogue to discover the quality and value that sets Bearings 2000 apart. If you have any questions or require further assistance, please don't hesitate to contact our dedicated team. We are here to ensure your success.



2,000 lbs Trailer Axle Kit for 4 Lug on 4"

2000-2200 lbs Trailer Axle Bearing Kit fits EZ Lube Spindle 1.063" (1 1/16")

PARTS:	PART NO:	QTY:	PARTS DESCRIPTION:
Hub:	HUB 42040	1	4 Lug Hub on 4 in Circle Bolt (4 on 4) (Race Installed on Hub - L44610)
Bearing Cone:	L44643	2	Inner Diameter: 1 in Overall Width: 0.58 in
Seal:	12192TB	1	Double Lip Seal - Inner Diameter: 1.25 in
Pin:	Cotter Pin	1	1/8 in (Diameter) x 2 in (Length)
Washer:	Tang Washer	1	D-Shaped for 1 in Spindles



2,000 lbs Trailer Axle Kit for 4 Lug on 4" - Bearings Only

4 Lug on 4" - Trailer Axle Idler Hub Bearing Set - 2,000 lbs Axle Capacity (BT8 Spindle) - Bearing Only

PARTS:	PART NO:	QTY:	PARTS DESCRIPTION:
Hub:	HUB 42040	1	4 Lug Hub on 4 in Circle Bolt (4 on 4) (Race Installed on Hub - L44610)
Bearing Cone:	L44643	2	Inner Diameter: 1 in Overall Width: 0.58 in



2000-2200 lbs Trailer Axle Bearing Kit fits EZ Lube Spindle 1.063" (1 1/16")

2000-2200 lbs Trailer Axle Bearing Kit fits EZ Lube Spindle 1.063" (1 1/16"), L44649/L44610, T-Washer, Cotter Pin, 12192TB (1.250" ID) and 15192TB Seals (1.500" ID)

PARTS:	PART NO:	QTY:	PARTS DESCRIPTION:
Bearing Set:	L44649 - L44610	2	Inner Diameter: 1.063 in Outer Diameter: 1.98 in
Seal:	12192TB	1	Double Lip Seal - Inner Diameter: 1.25 in
Seal:	15192TB (10-60)	1	Double Lip Seal - Inner Diameter: 1.50 in
Pin:	Cotter Pin	1	1/8 in (Diameter) x 2 in (Length)
Washer:	Tang Washer	1	D-Shaped for 1 in Spindles



2,000-2,200 lbs Trailer Axle Kit for fits EZ Lube Spindle 1.063" (1 1/16")

2000-2200lbs Trailer Axle Bearing Kit for Spindle 1.063" (1-1/16"), L44649/L44610, T-Washer, Cotter Pin, 12192TB (1.250" ID), 15192TB Seals (1.500" ID), Dust Cap, Castle Nut, Shaft Washer

PARTS:	PART NO:	QTY:	PARTS DESCRIPTION:
Bearing Set:	L44649 - L44610	2	Inner Diameter: 1.063 in Outer Diameter: 1.98 in
Seal:	12192TB	1	Double Lip Seal - Inner Diameter: 1.25 in
Seal:	15192TB (10-60)	1	Double Lip Seal - Inner Diameter: 1.50 in
Pin:	Cotter Pin	1	1/8 in (Diameter) x 2 in (Length
Washer:	Tang Washer	1	D-Shaped for 1 in Spindles
Washer:	FA-SW100	1	Shaft Washer - Inner Diameter: 1 in
Castle Nut:	FA-SN100	1	Spindle Shaft Nut - Inner Diameter: 1 in
Lug Nut:	NUT-1/2-20UNF-2B	5	60 Degree
Dust Cap:	DC-200	1	Outer Diameter: 1.98 in



2,000-2,200 lbs Trailer Axle Kit for EZ Lube Axles 1.000"

2000-2200 lbs Trailer Axle Bearing Kit fits EZ Lube Spindle 1.000", L44643/L44610, T-Washer, Cotter Pin, Double Lip Seal 12192TB with 1.250" ID

PARTS:	PART NO:	QTY:	PARTS DESCRIPTION:
Bearing Set:	L44643 - L44610	2	Inner Diameter: 1 in Outer Diameter: 1.98 in
Seal:	12192TB	1	Double Lip Seal - Inner Diameter: 1.25 in
Pin:	Cotter Pin	1	1/8 in (Diameter) x 2 in (Length
Washer:	Tang Washer	1	D-Shaped for 1 in Spindles



2,100-2,500 lbs Trailer Axle Kit Used with UFP Trailer Buddy Axles Unique BT Hubs

2,100-2,500 lbs UFP Trailer Axle Bearing Kit - Bearings: L44643/L44610 - Double-Lip Seals: 13194 (1.372" ID) & 12192TB (1.250") - Tang Washer - Cotter Pin

PARTS:	PART NO:	QTY:	PARTS DESCRIPTION:
Bearing Set:	L44643 - L44610	2	Inner Diameter: 1 in Outer Diameter: 1.98 in
Seal:	12192TB	1	Double Lip Seal - Inner Diameter: 1.25 in
Seal:	13194	1	Double Lip Seal - Inner Diameter: 1.37 in
Pin:	Cotter Pin	1	1/8 in (Diameter) x 2 in (Length
Washer:	Tang Washer	1	D-Shaped for 1 in Spindles



3,500 lbs Trailer Axle Idler Hub Kit - 5 on 5 - Fits Spindle #84

3500lbs Trailer Axle Wheel Hub and Bearing Kit L44649/10, L68149/11 for #84 Spindle, 1.719", 10-19 Seal, Dust Cap, Spindle Nut, Shaft Washer, Wheel Lug Nuts

PARTS:	PART NO:	QTY:	PARTS DESCRIPTION:
Hub:	HUB 53550	1	5 Lug Hub on 5 in Circle Bolt (5 on 5) (Race Pre-Installed - L44610 - L68111)
Bearing Set:	L44649 - L44610	1	Inner Diameter: 1.063 in Outer Diameter: 1.98 in (Race Pre-Installed)
Bearing Set:	L68149 - L68111	1	Inner Diameter: 1.378 in Outer Diameter: 2.361 in (Race Pre-Installed)
Seal:	171255TB (10-19)	1	Double Lip Seal - Inner Diameter: 1.719 in
Pin:	Cotter Pin	1	1/8 in (Diameter) x 2 in (Length)
Washer:	Tang Washer	1	D-Shaped for 1 in Spindles
Washer:	FA-SW100	1	Shaft Washer - Inner Diameter: 1 in
Castle Nut:	FA-SN100	1	Spindle Shaft Nut - Inner Diameter: 1 in
Lug Nut:	NUT-1/2-20UNF-2B	5	60 Degree
Dust Cap:	DC-200L	1	Outer Diameter: 1.98 in



3,500 lbs Trailer Axle Idler Hub Kit - 6 on 5.5 - Fits Spindle #84

63555-3,500 lbs Trailer Axle Idler Hub - 6 on 5.5 - Fits #84 Spindle - Races Installed: L44610 & L68111 - Bearings: L44649 & L68149 - Seal: 10-19 (171255TB) - Hardware: T-Washer & Cotter Pin

PARTS:	PART NO:	QTY:	PARTS DESCRIPTION:
Hub:	HUB 63555	1	6 Lug Hub on 5.5 in Circle Bolt (Race Pre-Installed - L44610 - L68111)
Bearing Set:	L44649 - L44610	1	Inner Diameter: 1.063 in Outer Diameter: 1.98 in (Race Installed on Hub)
Bearing Set:	L68149 - L68111	1	Inner Diameter: 1.378 in Outer Diameter: 2.361 in (Race Installed on Hub)
Seal:	171255TB (10-19)	1	Double Lip Seal - Inner Diameter: 1.719 in
Pin:	Cotter Pin	1	1/8 in (Diameter) x 2 in (Length)
Washer:	Tang Washer	1	D-Shaped for 1 in Spindles



3,500 lbs Trailer Axle Idler Hub Kit - 5 on 5 - Fits Spindle #84

Trailer Hub Assembly for 3,500 lbs Axles - 5 on 5- With Bearing Kit L44649/10, L68149/11 for Spindle #84, Race (Cup) Pre-installed

PARTS:	PART NO:	QTY:	PARTS DESCRIPTION:
Hub:	HUB 53550	1	5 Lug Hub on 5 in Circle Bolt (5 on 5) (Race Pre-Installed - L44610 - L68111)
Bearing Set:	L44649 - L44610	1	Inner Diameter: 1.063 in Outer Diameter: 1.98 in (Race Installed on Hub)
Bearing Set:	L68149 - L68111	1	Inner Diameter: 1.378 in Outer Diameter: 2.361 in (Race Installed on Hub)



3500 lbs Trailer Axle Bearing Kit with Spindle #84 E-Z Lube Weld-On

Trailer Axle Bearing Kit for 3500 lbs, Spindle #84 Welded-On, L44649/10, L68149/11, 10-19 (171255TB) Grease Seal

PARTS:	PART NO:	QTY:	PARTS DESCRIPTION:
Spindle:	SP131	1	Spindle #84 E-Z Lube Weld-On
Bearing Set:	L44649 - L44610	1	Inner Diameter: 1.063 in Outer Diameter: 1.98 in
Bearing Set:	L68149 - L68111	1	Inner Diameter: 1.378 in Outer Diameter: 2.361 in
Seal:	171255TB (10-19)	1	Double Lip Seal - Inner Diameter: 1.719 in
Pin:	Cotter Pin	1	1/8 in (Diameter) x 2 in (Length)
Washer:	Tang Washer	1	D-Shaped for 1 in Spindles



3,500 lbs Trailer Axle Bearing Kit for Spindle #84

3500lbs Trailer Axle Bearing Kit - L44649/10, L68149/11 for #84 Spindle 1.719"- 10-19 (171255TB) Seal, Dust Cap, Spindle Nut, Shaft Washer, Lug Nuts

PARTS:	PART NO:	QTY:	PARTS DESCRIPTION:
Bearing Set:	L44649 - L44610	1	Inner Diameter: 1.063 in Outer Diameter: 1.98 in
Bearing Set:	L68149 - L68111	1	Inner Diameter: 1.378 in Outer Diameter: 2.361 in
Seal:	171255TB (10-19)	1	Double Lip Seal - Inner Diameter: 1.719 in
Pin:	Cotter Pin	1	1/8 in (Diameter) x 2 in (Length)
Washer:	Tang Washer	1	D-Shaped for 1 in Spindles
Washer:	FA-SW100	1	Shaft Washer - Inner Diameter: 1 in
Castle Nut:	FA-SN100	1	Spindle Shaft Nut - Inner Diameter: 1 in
Lug Nut:	NUT-1/2-20UNF-2B	5	60 Degree
Dust Cap:	DC-200L	1	Outer Diameter: 1.98 in



3500lbs Trailer Axle Bearing Kit for Spindle #84

3500lbs Trailer Axle Bearing Kit L44649/10, L68149/11 for #84 Spindle, 1.719", 10-19 (171255TB) Seal

PARTS:	PART NO:	QTY:	PARTS DESCRIPTION:
Bearing Set:	L44649 - L44610	1	Inner Diameter: 1.063 in Outer Diameter: 1.98 in
Bearing Set:	L68149 - L68111	1	Inner Diameter: 1.378 in Outer Diameter: 2.361 in
Seal:	171255TB (10-19)	1	Double Lip Seal - Inner Diameter: 1.719 in
Pin:	Cotter Pin	1	1/8 in (Diameter) x 2 in (Length)
Washer:	Tang Washer	1	D-Shaped for 1 in Spindles



5,200-6,000 lbs Trailer Axle Hub with Kit

5,200-6,000 lbs Trailer Axle Hub with Kit - 6 on 5.5" - Stub Diameter 1/2" - 6 Stud Lug Hub - Bolt Circle 5.5 in - Tapered Roller Bearing: 25580 15123 - Seals: 10-36 - 10-10

PARTS:	PART NO:	QTY:	PARTS DESCRIPTION:
Hub:	65255 Axle Idler (RVI-H-655)	1	6 on 5.5 in Bolt Circle - Stub Diameter 1/2" - 6 Stud Lug Hub (Race Installed on Hub - 15245 & 25580)
Bearing Set:	15245 - 15123	1	Inner Diameter: 1.25 in Outer Diameter: 2.441 in (Race Installed on Hub)
Bearing Set:	25580 - 25520	1	Inner Diameter: 1.75 in Outer Diameter: 3.265 in (Race Installed on Hub)
Seal:	21333TB (010-010-00)	1	Double Lip Seal - Inner Diameter: 2.125 in
Seal:	22333TB (010-036-00)	1	Double Lip Seal - Inner Diameter: 2.250 in
Pin:	Cotter Pin	1	1/8 in (Diameter) x 2 in (Length)
Washer:	Tang Washer	1	D-Shaped for 1 in Spindles



5,200-6,000 lbs Trailer Axle Bearing Kit

5,200-6,000 lbs. Trailer Hub Wheel Bearing Kit 25580/25520, 15123/15245 with Grease Seal 10-36 and 10-10 for EZ Lube Axle

PARTS:	PART NO:	QTY:	PARTS DESCRIPTION:
Bearing Set:	15245 - 15123	1	Inner Diameter: 1.25 in Outer Diameter: 2.441 in
Bearing Set:	25580 - 25520	1	Inner Diameter: 1.75 in Outer Diameter: 3.265 in
Seal:	21333TB (010-010-00)	1	Double Lip Seal - Inner Diameter: 2.125 in
Seal:	22333TB (010-036-00)	1	Double Lip Seal - Inner Diameter: 2.250 in
Pin:	Cotter Pin	1	1/8 in (Diameter) x 2 in (Length)
Washer:	Tang Washer	1	D-Shaped for 1 in Spindles



5,200-6,000 lbs Trailer Axle Bearing Kit

5,200-6,000 lbs. Trailer Hub Wheel Bearing Kit 25580/25520, 15123/15245 with Grease Seal 10-36 and 10-10 for EZ Lube Axle

PARTS:	PART NO:	QTY:	PARTS DESCRIPTION:
Bearing Set:	LM67048 - LM67010	1	Inner Diameter: 1.25 in Outer Diameter: 2.328 in
Bearing Set:	25580 - 25520	1	Inner Diameter: 1.75 in Outer Diameter: 3.265 in
Seal:	21333TB (010-010-00)	1	Double Lip Seal - Inner Diameter: 2.125 in
Seal:	22333TB (010-036-00)	1	Double Lip Seal - Inner Diameter: 2.250 in
Pin:	Cotter Pin	1	1/8 in (Diameter) x 2 in (Length)
Washer:	Tang Washer	1	D-Shaped for 1 in Spindles



5,200-7,000 lbs Trailer Axle Hub with Kit

8 Lug on 6.5" - Trailer Axle Idler Hub - Fits #42 Spindles - Inner & Outer Races Installed on Hub - 5,200-7,000 lbs Trailer - RVI-H-865 - HUB 86065

PARTS:	PART NO:	QTY:	PARTS DESCRIPTION:
Hub:	HUB 86065 (RVI-H-865)	1	8 on 6.5 in Bolt Circle (Race Installed on Hub - 14276 & 25520)
Bearing Set:	14125A - 14276	1	Inner Diameter: 1.75 in Outer Diameter: 3.265 in (Race Installed on Hub)
Bearing Set:	25580 - 25520	1	Inner Diameter: 1.25 in Outer Diameter: 2.441 in (Race Installed on Hub)
Seal:	21333TB (010-010-00)	1	Double Lip Seal - Inner Diameter: 2.125 in
Seal:	22333TB (010-036-00)	1	Double Lip Seal - Inner Diameter: 2.250 in
Pin:	Cotter Pin	1	1/8 in (Diameter) x 2 in (Length)
Washer:	Tang Washer	1	D-Shaped for 1 in Spindles



5,200-7,000 lbs Trailer Axle Bearing Kit

5200-7000 lbs Trailer Axle Bearing Kit, 14125A/14276, 25580/25520, 10-10 and 10-36 Seals [Fits Spindle D42, 2.125" x 3.375" and 2.250" x 3.375"]

PARTS:	PART NO:	QTY:	PARTS DESCRIPTION:
Bearing Set:	14125A - 14276	1	Inner Diameter: 1.25 in Outer Diameter: 3.265 in
Bearing Set:	25580 - 25520	1	Inner Diameter: 1.75 in Outer Diameter: 3.265 in
Seal:	21333TB (010-010-00)	1	Double Lip Seal - Inner Diameter: 2.125 in
Seal:	22333TB (010-036-00)	1	Double Lip Seal - Inner Diameter: 2.250 in
Pin:	Cotter Pin	1	1/8 in (Diameter) x 2 in (Length)
Washer:	Tang Washer	1	D-Shaped for 1 in Spindles



5,200-7,000 lbs Trailer Axle Bearing Kit - Bearings Only

5,200-7,000 lbs Trailer Axle Replacement Bearings, Cones: 14125A & 25580, Cups: 14276 & 25520, Tapered Roller Bearings [Fits Spindle D42, 2.125" x 3.375" and 2.250" x 3.375"]

PARTS:	PART NO:	QTY:	PARTS DESCRIPTION:
Bearing Set:	14125A - 14276	1	Inner Diameter: 1.25 in Outer Diameter: 3.265 in
Bearing Set:	25580 - 25520	1	Inner Diameter: 1.75 in Outer Diameter: 3.265 in



8000 lbs Trailer Axle Bearing Kit

8000 lbs Trailer Axle Bearing Kit, Outer Bearing 02475/02420 (1.25" ID), Inner Bearing 25580/25520 (1.75" ID) with Grease Seal 10-36 and 10-10 for 8000# Axles

PARTS:	PART NO:	QTY:	PARTS DESCRIPTION:
Bearing Set:	02475 - 02420	1	Inner Diameter: 1.25 in Outer Diameter: 2.688 in
Bearing Set:	25580 - 25520	1	Inner Diameter: 1.75 in Outer Diameter: 3.265 in
Seal:	21333TB (010-010-00)	1	Double Lip Seal - Inner Diameter: 2.125 in
Seal:	22333TB (010-036-00)	1	Double Lip Seal - Inner Diameter: 2.250 in
Pin:	Cotter Pin	1	1/8 in (Diameter) x 2 in (Length)
Washer:	Tang Washer	1	D-Shaped for 1 in Spindles



10,000 lbs Trailer Axle Bearing Kit

10,000 lbs Trailer Axle Bearing Kit - 10K GD, Inner Bearing Set: 28580/28521, Outer Bearing Set: 25580/25520, Oil Seal 091030, 99 Spindle AL-K0 Rockwell Hayes

PARTS:	PART NO:	QTY:	PARTS DESCRIPTION:
Bearing Set:	28580 - 28521	1	Inner Diameter: 2 in Outer Diameter: 3.625 in
Bearing Set:	25580 - 25520	1	Inner Diameter: 1.75 in Outer Diameter: 3.265 in
Seal:	OB27377 (091030)	1	Inner Diameter: 2.75 in Outer Diameter: 3.779 in
Pin:	Cotter Pin	1	1/8 in (Diameter) x 2 in (Length)
Washer:	Tang Washer	1	D-Shaped for 1 in Spindles



10,000 lbs Trailer Axle Bearing Kit

10,000 lbs Trailer Axle Bearing Kit - 10K GD, Inner Bearing Set: 28580/28521, Outer Bearing Set: 25580/25520, Oil Seal 091030, 99 Spindle AL-K0 Rockwell Hayes

PARTS:	PART NO:	QTY:	PARTS DESCRIPTION:
Bearing Set:	387A - 382A	1	Inner Diameter: 2.25 in Outer Diameter: 3.813 in
Bearing Set:	395S - 394A	1	Inner Diameter: 1.625 in Outer Diameter: 4.331 in
Seal:	010-056-00	1	Inner Diameter: 3.125 in Outer Diameter: 3.880 in Width 0.605 in
Pin:	Cotter Pin	1	1/8 in (Diameter) x 2 in (Length)



12,000-15,000 lbs Trailer Axle Bearing Kit

15,000 lbs 12K-15K Axle Bearing Kit - 10-56 Oil Seal - 28682/28622 ID: 2.25" - 3984/3920 ID: 2.625" - Trailer Axle 8-401 - 8-214 - 9-28


PARTS:	PART NO:	QTY:	PARTS DESCRIPTION:
Bearing Set:	28682 - 28622	1	Inner Diameter: 2.25 in Outer Diameter: 3.844 in
Bearing Set:	3984 - 3920	1	Inner Diameter: 2.625 in Outer Diameter: 4.438 in
Seal:	010-056-00	1	Inner Diameter: 3.125 in Outer Diameter: 3.880 in Width 0.605 in



Double Lip Grease Seal
Trailer Axle Idler Hub with Bearing Repair Kit

PARTS:	PART NO:
Seal:	15192TB


Diameter:	
Inner (In):	Outer (In):
1.5	1.987



Double Lip Grease Seal
Trailer Axle Idler Hub with Bearing Repair Kit

PARTS:	PART NO:
Seal:	22333TB


Diameter:	
Inner (In):	Outer (In):
2.25	3.376



Double Lip Grease Seal
Trailer Axle Idler Hub with Bearing Repair Kit

PARTS:	PART NO:
Seal:	13194


Diameter:	
Inner (In):	Outer (In):
1.372	1.983



Double Lip Grease Seal
Trailer Axle Idler Hub with Bearing Repair Kit

PARTS:	PART NO:
Seal:	171255TB

Diameter:	
Inner (In):	Outer (In):
1.719	2.565



Double Lip Grease Seal
Trailer Axle Idler Hub with Bearing Repair Kit

PARTS:	PART NO:
Seal:	12192TB


Diameter:	
Inner (In):	Outer (In):
1.249	1.983



Double Lip Grease Seal
Trailer Axle Idler Hub with Bearing Repair Kit

PARTS:	PART NO:
Seal:	21333TB


Diameter:	
Inner (In):	Outer (In):
2.125	3.376



Double Lip Grease Seal
Trailer Axle Idler Hub with Bearing Repair Kit

PARTS:	PART NO:
Seal:	LR5202


Diameter:	
Inner (In):	Outer (In):
0.591	1.575



Oil Seal
Trailer Axle Idler Hub with Bearing Repair Kit

PARTS:	PART NO:
Seal:	370150A


Diameter:	
Inner (In):	Outer (In):
2.875	3.88



Oil Seal
Trailer Axle Idler Hub with Bearing Repair Kit

PARTS:	PART NO:
Seal:	010-056-00


Diameter:	
Inner (In):	Outer (In):
3.125	4.506

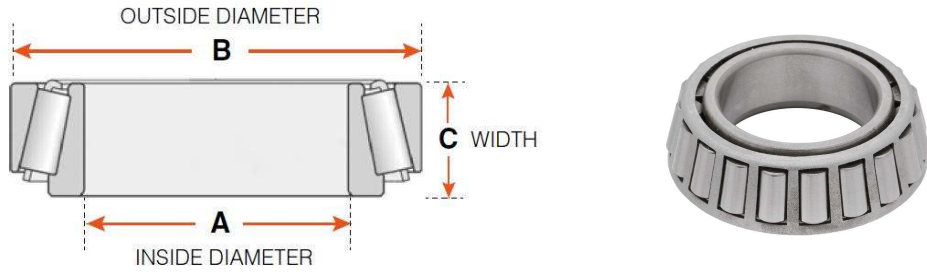


Oil Seal
Trailer Axle Idler Hub with Bearing Repair Kit

PARTS:	PART NO:
Seal:	CR27438

Diameter:	
Inner (In):	Outer (In):
2.75	3.779




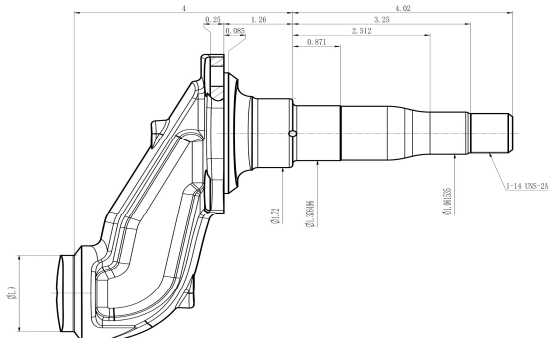



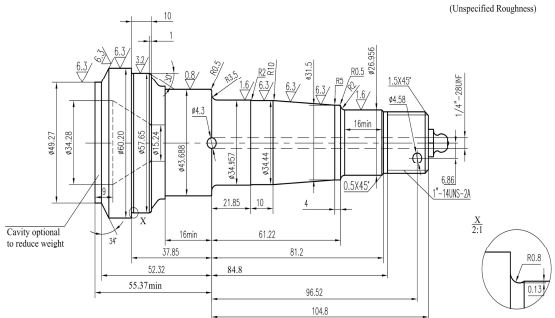
Tapered Roller Bearing: Cone


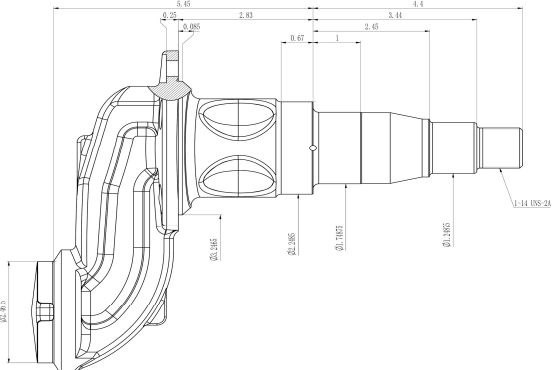
Cone:	Race/Cup:	Axle:	Type:	A	B	C
L44643	L44610	2K	Inner/Outer	1"	1.98"	0.56"
L44649	L44610	2K	Inner/Outer	1.06"	1.98"	0.56"
L68149	L68111	3.5K	Inner	1.378"	2.361"	0.625"
15123	15245	5K-6K	Outer	1.25"	2.44"	0.715"
14125A	14276	5K-7K	Outer	1.25"	2.717"	0.781"
25580	25520	5K-7K-10K G.D.	Inner/Outer	1.75"	3.265"	0.937"
02475	2420	8K	Outer	1.25"	2.687"	0.875"
28580	28521	10K G.D.	Inner	2"	2.938"	0.968"
395S	394A	10K G.D. - H.D.	Inner	2.625"	4.33"	0.866"
387A	382A	10K H.D.	Outer	2.25"	3.813"	0.826"
JM511946	JM511910	10K - 12K H.D.	Inner	2.559"	4.331"	1.102"
JM205149	JM205110	10K H.D.-12K-16K	Outer	1.968"	3.543"	1.102"
3984	3920	12K - 15K	Inner	2.625"	4.409"	1.181"
28682	28622	12K - 15K	Outer	2.25"	3.843"	0.968"
LM67048	LM67010	3.5K - 5K	Inner	1.25"	2.328"	0.465"


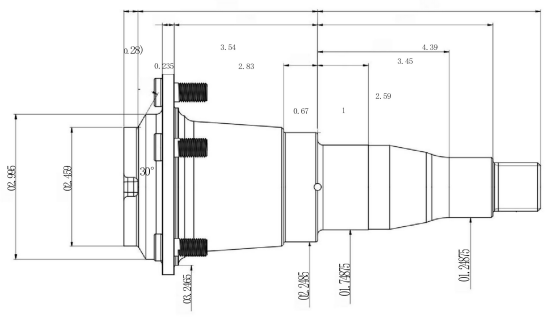



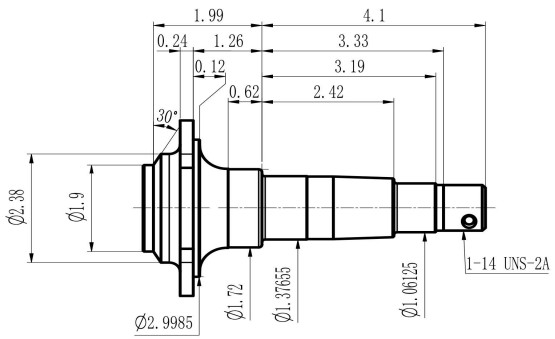
Tapered Roller Bearing: Race/Cup						
Race/Cup:	Cone:	Axle:	Type:	Outer Diameter:	Width:	Brand:
L44610	L44643 L44649	2K - 3,5K	Inner/Outer	1.98"	0.42"	QJZ
LM48510	LM48548	2,5K	Agricultural	2.563"	0.55"	QJZ
L68111	L68149	3,5K	Inner	2.361"	0.47"	QJZ
15245	15123	5K - 6K	Outer	2.441"	0.562"	QJZ
14276	14125A	5K - 7K	Outer	2.717"	0.625"	QJZ
25520	25580	8K	Inner	3.265"	0.75"	QJZ
28521	28580	10K G.D.	Inner	3.625"	0.781"	QJZ
382A	387A	10K H.D.	Outer	3.813"	0.625"	QJZ
JM511910	LM511946	10K - 12K H.D.	Inner	4.331"	0.885"	QJZ
3920	3984	12K - 15K	Inner	4.438"	0.937"	QJZ
28622	28682	12K - 15K	Outer	3.844"	0.765"	QJZ

Trailer Spindle for 3500 lbs Axle	
PARTS:	PART NO:
Axle:	SP504 Trailer Axle Spindle
Capacity:	3.5K
	
	

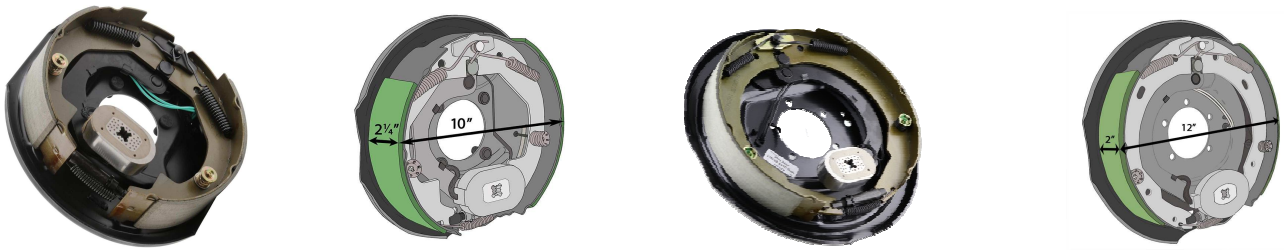
3,500 lbs Straight Trailer Axle Spindle #84 Spindle	
PARTS:	PART NO:
Axle:	SP004 Trailer Axle Spindle
Capacity:	1K
	
	

SP300 - Spindle #42 E-Z Lube with 5-Bolt Flange, Drop Spindle 4" for 5,200-7,000 lbs Trailer Axles	
PARTS:	PART NO:
Axle:	SP300 Trailer Axle Spindle
Capacity:	5.5K
	
	

SP466 - Spindle #42 E-Z Lube with 5-Bolt Flange for 5,200-7,000 lbs Trailer Axle	
PARTS:	PART NO:
Axle:	SP466 Trailer Axle Spindle
Capacity:	6K
	
	

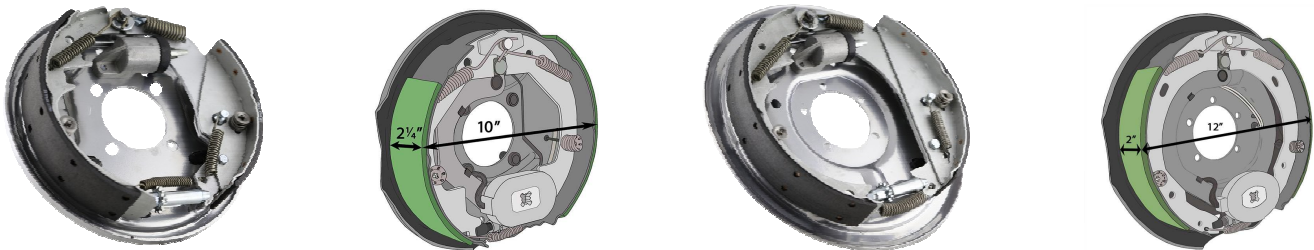
SP131 - E-Z Lube Weld-On with Brake Flange for 3500 lbs Trailer Axle	
PARTS:	PART NO:
Axle:	SP131 Trailer Axle Spindle
Capacity:	2.5K - 3.5K
	
	

SP001-3500 - Square Tubular 4" Drop Axle with Brake Flange	
PARTS:	PART NO:
Axle:	SP001-3500 Trailer Axle Spindle
Capacity:	2.5K - 3.5K
	



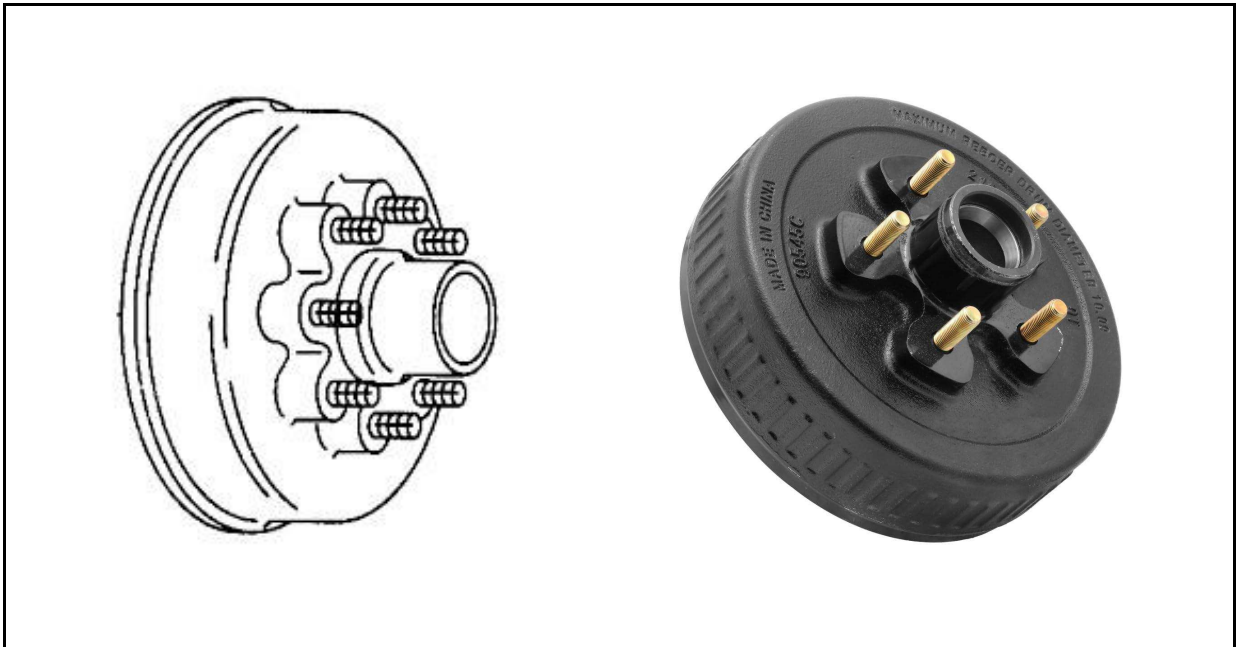
Complete Electric Brake Assemblies

Part Number	Position	Diameter (In)	Width (In)	Description	Axle Fitment	Unit Weight (lbs)	Reference Number
ELECTRIC BRAKE 10L	Left	10"	2-1/4"	Electric Black Backing Plate, Mounts to 4-Hole Axle Brake Flange	3,500 lbs	9.7	BK-10E-01, 023-026-00
ELECTRIC BRAKE 10R	Right	10"	2-1/4"	Electric Black Backing Plate, Mounts to 4-Hole Axle Brake Flange	3,500 lbs	9.7	BK-10E-02, 023-027-00
ELECTRIC BRAKE 12L	Left	12"	2"	Electric Black Backing Plate, Mounts to 5-Hole Axle Brake Flange	5,200-7,000 lbs	14.8	BK-12E-01, 023-105-00
ELECTRIC BRAKE 12R	Right	12"	2"	Electric Black Backing Plate, Mounts to 5-Hole Axle Brake Flange	5,200-7,000 lbs	14.8	BK-12E-02, 023-106-00



Complete Hydraulic Brake Assemblies

Part Number	Position	Diameter (In)	Width (In)	Description	Axle Fitment	Unit Weight (lbs)	Reference Number
HYDRAULIC 10 LEFT	Left	10"	2-1/4"	Hydraulic Silver (Zinc-Coating) Backing Plate w/ Free-Backing, Mounts to 4-Hole Axle Brake Flange	3,500-5,200 lbs	9.6	BK-40715X, 023-548-00
HYDRAULIC 10 RIGHT	Right	10"	2-1/4"	Hydraulic Silver (Zinc-Coating) Backing Plate w/ Free-Backing, Mounts to 4-Hole Axle Brake Flange	3,500-5,200 lbs	9.6	BK-40716X, 023-549-00
HYDRAULIC 12 LEFT	Left	12"	2"	Hydraulic Silver (Zinc Coating) Backing Plate w/ Free-Backing, Mounts to 5-Hole Axle Brake Flange	6,000-7,000 lbs	14.7	BK-42028X, 023-504-00
HYDRAULIC 12 RIGHT	Right	12"	2"	Hydraulic Silver (Zinc Coating) Backing Plate w/ Free-Backing, Mounts to 5-Hole Axle Brake Flange	6,000-7,000 lbs	14.7	BK-42029X, 023-505-00
HYDRAULIC 10 L (P)	Left	10"	2-1/4"	Hydraulic Black (E-Coating) Backing Plate w/ Free-Backing, Mounts to 4-Hole Axle Brake Flange	3,500-5,200 lbs	9.6	BK-40715
HYDRAULIC 10 R (P)	Right	10"	2-1/4"	Hydraulic Black (E-Coating) Backing Plate w/ Free-Backing, Mounts to 4-Hole Axle Brake Flange	3,500-5,200 lbs	9.6	BK-40716
HYDRAULIC 12 L (P)	Left	12"	2"	Hydraulic Black (E-Coating) Backing Plate w/ Free-Backing, Mounts to 5-Hole Axle Brake Flange	6,000-7,000 lbs	14.7	BK-42028
HYDRAULIC 12 R (P)	Right	12"	2"	Hydraulic Black (E-Coating) Backing Plate w/ Free-Backing, Mounts to 5-Hole Axle Brake Flange	6,000-7,000 lbs	14.7	BK-42029



Hub Drum:

Trailer Hub Drum Assembly

Trailer Hub Drum with Race Installed

Part Number:	Drum Size:	Bolt Circle:	Wheel Size:	Inner Races:
HUB DRUM 1053545	10" x 2.25"	5 on 4.5"	13" - 15"	L44610 / L68111
HUB DRUM 1053550	10" x 2.25"	5 on 5"	13" - 15"	L44610 / L68111
HUB DRUM 1063555	10" x 2.25"	6 on 5.5"	15" - 16"	L44610 / L68111
HUB DRUM 1265255	12" x 2"	6 on 5.5"	15" - 16"	25520 / 15245
HUB DRUM 1286065	12.25" x 2.5"	8 on 6.5"	15" - 16"	25520 / 02420

**4 Lug on 4" - Trailer Axle Idler Hub -
2,000 lbs Axle Capacity (BT8 Spindle)**

Trailer Hub

Part No:	HUB 42040
Circle Bolt:	4 on 4"
Race Installed:	L44610
Axle Capacity:	2K
Wheel Size:	8" to 14"
Spindle:	BT8



**5 Lug on 4.5" - Trailer Axle Idler Hub -
BT8 Spindles - 3,500 lbs Trailer**

Trailer Hub

Part No:	HUB 53545
Circle Bolt:	5 on 4.5"
Race Installed:	L44610 / L68111
Axle Capacity:	3.5K
Wheel Size:	13" to 16.5:
Spindle:	BT8



**6 Lug on 5.5" - Trailer Axle Idler Hub -
HUB 63555 - Fits #84 Spindle 3,500 lbs Trailers**

Trailer Hub

Part No:	HUB 63555
Circle Bolt:	6 on 5.5"
Race Installed:	L44649 / L68149
Axle Capacity:	3.5K
Wheel Size:	14.5" to 16.5"
Spindle:	#84



**6 Lug on 5.5" - Trailer Axle Idler Hub -
Inner & Outer Races Installed on Hub
5,200-6,000 lbs Trailer**

Trailer Hub

Part No:	HUB 65255
Circle Bolt:	6 on 5.5
Race Installed:	15245 / 25520
Axle Capacity:	5.2K to 6K
Wheel Size:	14.5" to 16.5"
Spindle:	#42



**8 Lug on 6.5" - Trailer Axle Idler Hub
Fits #42 Spindles - Inner & Outer Races Installed on Hub
5,200-7,000 lbs Trailer**

Trailer Hub

Part No:	HUB 86065
Circle Bolt:	8 on 6.5"
Race Installed:	25520 / 14276
Axle Capacity:	5.2K to 7K
Wheel Size:	16" to 17"
Spindle:	#42 / D42



Trailer Hub

Part No:	HUB 52045
Circle Bolt:	5 on 4.5"
Race Installed:	L44610
Axle Capacity:	2K
Wheel Size:	10" to 12"
Spindle:	BT8




Trailer Hub


Part No:	HUB 53550
Circle Bolt:	5 on 5"
Race Installed:	L44610 / L68111
Axle Capacity:	3.5K
Wheel Size:	13" to 15"
Spindle:	#84




Dust Cap 1.98"
Trailer Axle Wheel Hub, Replacement 2000 lbs

PARTS:	Dust Cap	
Dust Cap:	DC-200	
Outer Diameter:	1.98"	
Axle:	2K - 3.5K	


Dust Cap 2"
Trailer Axle Wheel Hub, Replacement 2000 lbs to 3500 lbs Axles

PARTS:	Dust Cap	
Dust Cap:	DC-200L	
Outer Diameter:	1.98"	
Axle:	2K - 3.5K	
Plug Material:	Rubber Plug	


Dust Cap 2.5"
Trailer Axle Wheel Hub and Bearing Dust Cap 2.5"


PARTS:	Dust Cap	
Dust Cap:	DC-250L	
Outer Diameter:	2.44"	
Axle:	5.2K - 6K	
Plug Material:	Rubber Plug	


Dust Cap 2.720"
Trailer Axle Wheel Hub and Bearing Dust Cap 2.720"


PARTS:	Dust Cap	
Dust Cap:	DC-275L	
Outer Diameter:	2.72"	
Axle:	7K - 8K	
Plug Material:	Rubber Plug	


Dust Cap 2.5"
Trailer Axle Wheel Hub and Bearing Dust Cap 2.5"


PARTS:	Dust Cap	
Dust Cap:	DC-250	
Outer Diameter:	2.44"	
Axle:	5.2K - 6K	

Dust Cap 2.720"		
Trailer Axle Wheel Hub and Bearing Dust Cap 2.720"		
PARTS:	Dust Cap	
Dust Cap:	DC-275L	
Outer Diameter:	2.72"	
Axle:	7K - 8K	


Wheel Nut		
PARTS:	Lug Nut	
PART NO:	NUT-1/2-20UNF-2B	
Description	Cone - 60 Degrees	
Size	1/2"-20 UNF	

Castle Spindle Shaft Nut		
PARTS:	Castle Spindle Shaft Nut	
PART NO:	FA-SN100	
Inner Diameter:	1 in	


Cotter Pin		
PARTS:	Cotter Pin	
PART NO:	Cotter Pin	
Diameter	1/8 in	
Length	2.0 in	

Tang Washer		
PARTS:	Tang Washer	
PART NO:	FA-TW100	
Inner Diameter:	1 in	


D Washer

PARTS:	D-Shapped Washer	
PART NO:	FA-DW100	
Inner Diameter:	1 in	


Shaft Washer

PARTS:	Shat Washer	
PART NO:	FA-SW100	
Inner Diameter:	1 in	


Universal Joint - U-Bolt - 2-3/8" Round Axles - 13-3.5K lbs Trailer Leaf Springs

PARTS:	Round U-Bolt	
PART NO:	2 3/8" U BOLT	
Inner Width	2-3/8" (2.375 in)	
Length	5-1/2" (5.5 in)	
Spring Width	1-3/4" (1.75 in)	


Axle Tie Plate for 2-3/8" Tube Axle

PARTS	Tie Plate	
PART NO	TIE PLATES	
Fits Axle Width	2-3/8"	
Type	5 Holes	


Axle Tie Plate for 3" Tube Axle

PARTS	Tie Plate	
PART NO	TIE PLATES- 3"	
Fits Axle Width	3"	
Type	5 Holes	


Trailer Axle Spindle Backing Plate Flange - 2.30 in ID - 4 Hole Bolt Bracket

PARTS:	Backing Plate Flange	
PART NO:	PFL-42.27	
Inner Diameter:	2.30 in 5.84 mm	
Thickness:	0.25 in 6.35 mm	
Wide:	3.80 in 96.52 mm	
Axle:	2K-3.5K (EZ Lube)	

3,500 lbs, Round Trailer Axles with 2-3/8" Diameter

PARTS:	Spring Seat – 2-3/8" Round Axle Tube	
PART NO:	SS-238	
Length:	4.0 in	
Height:	1.2 in	
Width:	1.85 in	
Axle:	3,500 lbs Axle	

5,200 - 7,200-lbs, Round Trailer Axles with 3" Diameter

PARTS:	Spring Seat – 3.0" Round Axle Tube	
PART NO:	SS-300	
Length:	4.0 in	
Height:	1.2 in	
Width:	1.85 in	
Axle:	3,500 lbs Axle	

2 Leaf - Double Eye - 2000 lbs Axle Leaf Spring	
Leaf Springs	
Part No:	RAWS-2
Number of Leaf	2
Capacity Per Spring	1000 lbs
Axle Capacity (Pair)	2000 lbs
End Tip	Double Eye
Length	26" Eye to Eye
Width	1.75"
Reference Number	UNA-049, AWS2, AS4, 4332-8




3 Leaf - Double Eye - 4000 lbs Axle Leaf Spring	
Leaf Springs	
Part No:	SW3
Number of Leaf	3
Capacity Per Spring	2000 lbs
Axle Capacity (Pair)	4000 lbs
End Tip	Double Eye
Length	25.25" Eye to Eye
Width	1.75"
Reference Number	UNA-220, 1762, DE-7224, 72-24




3 Leaf - Double Eye - 2500 lbs Axle Leaf Spring	
Leaf Springs	
Part No:	SW3B
Number of Leaf	3
Capacity Per Spring	1250 lbs
Axle Capacity (Pair)	2500 lbs
End Tip	Double Eye
Length	25.25" Eye to Eye
Width	1.75"
Reference Number	UNA-219, DE-7222, 4332-12



4 Leaf - Double Eye - 5000 lbs Axle Leaf Spring	
Leaf Springs	
Part No:	SW4
Number of Leaf	4
Capacity Per Spring	2500 lbs
Axle Capacity (Pair)	5000 lbs
End Tip	Double Eye
Length	25.25" Eye to Eye
Width	1.75"
Reference Number	UNA-218, 1763, DE-7225




4 Leaf - Double Eye - 3500 lbs Axle Leaf Spring

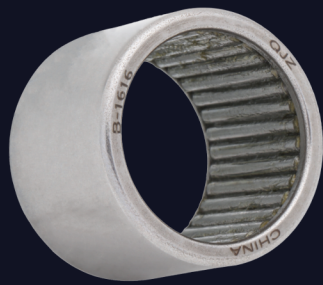
		Leaf Springs
Part No:	SW4B	
Number of Leaf	4	
Capacity Per Spring	1750 lbs	
Axle Capacity (Pair)	3500 lbs	
End Tip	Double Eye	
Length	25.25" Eye to Eye	
Width	1.75"	
Reference Number	UNA-212, DE-7242, 4342-17	

5 Leaf - Double Eye - 6000 lbs Axle Leaf Spring

		Leaf Springs
Part No:	SW5	
Number of Leaf	5	
Capacity Per Spring	3000 lbs	
Axle Capacity (Pair)	6000 lbs	
End Tip	Double Eye	
Length	25.25" Eye to Eye	
Width	1.75"	
Reference Number	UNA-111, DE-1764, US-1075	

6 Leaf - Double Eye - 7000 lbs Axle Leaf Spring

		Leaf Springs
Part No:	SW6	
Number of Leaf	6	
Capacity Per Spring	3500 lbs	
Axle Capacity (Pair)	7000 lbs	
End Tip	Double Eye	
Length	25.25" Eye to Eye	
Width	1.75"	
Reference Number	UNA-223, US-1019, DE-SW6	



Needle bearing



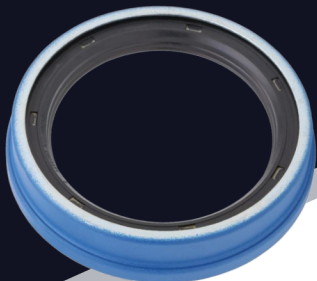
Mounting Units



Mounting Units



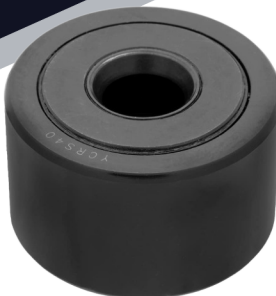
Rod End



Oil seal



Ball Bearing



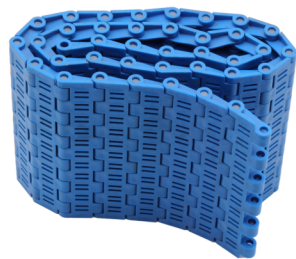
Cam Bearing



Roller Bearings



Steering Knuckle Bearing



Plastic Chain



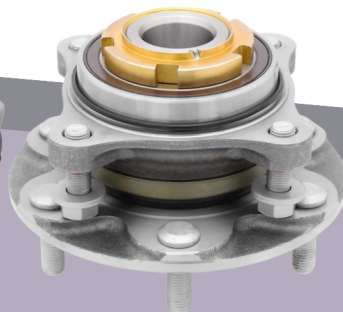
Chain



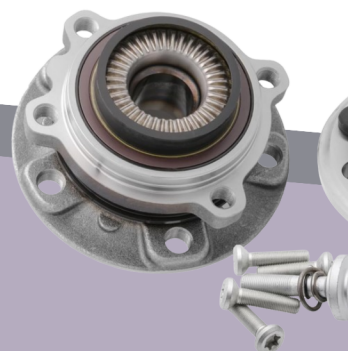
Bearing & Seal Kit



Wheel Hub Assembly ABS



Wheel Hub Assembly



Wheel Hub Assembly Kit



Wheel Hub Assembly

SINCE 1994

BEARINGS 2000



P: (909) 593-7848
A: 4798 Mission Blvd Unit A
Ontario, CA 91762



www.Bearing2000.com