



S2 TRAILER/JOGGER

USER MANUAL



PRODUCT REGISTRATION

Make sure to register your purchase at allensportsusa.com to qualify for product warranty and to receive important product notifications.

S2 TRAILER/JOGGER USER MANUAL

CONTENTS



S2 TRAILER/JOGGER USER MANUAL

Please keep this User Manual for future reference.

SECTION	PAGE
1. Important Safety Information	4
2. Parts List	6
3. Key Features	6
4. Assembly Instructions	7
4.1 Remove Trailer From Carton	7
4.2 Unfold Trailer	7
4.3 Release Tow Bar	8
4.4 Install Wheels	8
4.5 Wheel Guard and Parking Break	9
4.6 Attach Four-Season Cover	10
4.7 Install Safety Flag	11
4.8 Attach Trailer Hitch to Bicycle	11
4.9 Attach Trailer to Bicycle	12
4.10 Convert to Stroller	13
5. Operating Instructions	15
5.1 Using 5-Point Safety Harness	15
5.2 Folding for Storage and Transport	15
6. Maintenance	16
7. Warranty	16

PRIOR TO ASSEMBLY

Please read this Owner's Manual completely before assembling or operating this product.

This product should be assembled by an adult.

1. IMPORTANT SAFETY INFORMATION

CAUTION ⚠

Please carefully read the instruction manual and all safety warning labels before using the trailer.

IMPORTANT ⚠

When used as trailer, passengers and riders should always wear properly fitted, approved cycling helmets. In some countries, helmets are a legal requirement.

WARNING ⚠

- Not for infants under 12 months of age
- Children must be able to hold head up with helmets on
- Children must always use 5 point safety harness. When S2 is used as a trailer, riders must wear bike helmets.
- Never leave child unattended
- Always ride defensively
- Do not exceed 100lbs total weight
- Do not exceed 15mph maximum speed, slower for turns or rough roads
- Braking Distances are increased when pulling the trailer. Slow down and allow extra stopping distance.
- Always instruct children NOT to rock, bounce or lean
- NEVER use the trailer off-road. This may result in damage to the trailer and or serious injury to the passengers
- Do not use the trailer in extreme weather, such as heat, cold, wind or rain. Passengers must be clothed appropriately to prevailing weather conditions.

PRE-RIDE SAFETY CHECK

- Check to insure hitch clamp is tight
- Check to insure hitch safety strap is secure
- **BUCKLE UP!** Check seat harness and secure all baggage
- Inspect bike and trailer condition before each use
- **HELMETS ON!** Insure rider and child helmets are on and secure
- Check tire air pressure. Always maintain between 35-40 PSI
- The bicycle to which the trailer will be attached should be inspected by a qualified bicycle mechanic before attaching the trailer to it.

SAFETY GUIDELINES

Think Safety First! Check the working condition of both bicycle and trailer before every use. If you discover broken components, misalignments, or missing parts, correct the problem prior to use.

Please follow these safety guidelines when using your trailer:

- This trailer is intended only for transport of children and cargo in the manner as described in the following pages of the owners' manual. Use of the trailer apart from these guidelines is not recommended, and may result in injury or damage to the occupants, the trailer or the bicycle.

- Inspect the product and its parts before and after each use. Proper maintenance of the trailer is essential to safety. **NEVER USE PRODUCT IF ANY PART IS BROKEN OR MALFUNCTIONING.**
- When assembling the trailer, make sure that wheels are correctly and securely installed as described in the assembly instructions. If you are not familiar with the type of wheels used on this trailer, contact your place of purchase or a reputable bicycle shop to receive instruction in the correct operation of these devices. Inflate tires to 35-40 PSI and check air pressure before each use. Over-inflation may cause the trailer to bounce or turn over. Use only tires with street tread, and not with BMX or Knobby tread.
- Be sure that the bicycle used with the trailer is in good working condition, is appropriate in size and type to pull the cycle trailer, and has good brakes. Refer to the bicycle owners' manual for any advice regarding use of the bicycle with a trailer. A bicycle shop can help you with the inspection to determine if your bike is of the correct type to use with the trailer, and with routine maintenance of the cycle and the trailer.
- Do not overload the trailer. The load limit for cargo and passengers is 100lbs. Position the load as low as possible and center it within the trailer, (front to rear, and left to right). Any extra gear should be placed towards the rear. All load should be secured so that it does not shift. **IMPORTANT:** Instruct children riding in the trailer not to bounce, rock or lean. Such movements may cause the trailer to lean or flip.
- When fully loaded, the Drawbar load measured at the hitch should be between 3-8kgs. This can be verified by lifting the tow bar of the loaded trailer before attaching the trailer to the bicycle. Make sure parking brakes are engaged when loading trailer.
- Do not attempt to install other seating systems in this trailer. It is not designed for car seats, stroller seats, infant beds, or any other type of seating. Use of any seating system other than the original equipment seat will void the warranty, and may result in damage to the trailer or injury to the passenger.
- Never take this trailer off-road. It is intended for use on paved road surfaces. Use in any other conditions may result in damage to the product or injury to the passengers.
- Pulling this trailer alters the operation of the bicycle. Stopping, starting, and turning are affected, depending on the weight of the cargo. To familiarize yourself with the changes, load the trailer to capacity and practice in a safe area. Do not use your trailer until you have become accustomed to how it affects your bicycle handling. Further safety strategies include the following:
 - Never assume you will be given the right of way.
 - Do not try to predict the actions of car drivers.
 - Do not travel on highways, busy streets, or in areas unsafe for bicycling.
 - Avoid riding at night. If you must ride at night, use lights and bright, reflective clothing. Do not ride at night with children in the trailer. Before use, consult your local authorities to determine appropriate lighting and safety requirements to conform to traffic code.
 - To prevent overturning your trailer, do not pull over curbs or holes or hit obstacles in the roadway.
 - Do not turn sharply, because trailer may turn over.
 - Do not travel at high speeds.
 - Do not exceed 15 MPH, slow for turns and rough road conditions. High speeds adversely affect your ability to control the bike and notice road irregularities. Braking distances are increased when pulling a trailer.
 - Never take the trailer off road. It is designed for use on paved surfaces. Off road use may result in damage to trailer or injury to passengers.

The safety of your child is of great concern. The trailer seat is intended for passengers older than 12 months and able to wear an approved helmet. Your child must be able to hold their head upright. Check with your pediatrician to make sure your child's development makes him or her a suitable passenger in the trailer. Helmets are recommended for all passengers, and may be required by law. Please check national and local laws regarding trailers and helmet use prior to operation. Make sure that your child is seated securely and the harness is properly engaged. The child's sitting height should be below the upper crossbar, and the correct shoulder strap height must be used. Refer to the instructions to adjust. The Four-Season Cover must be fitted when children are in the trailer. This protects the child from road debris.

4. ASSEMBLY INSTRUCTIONS



2. PARTS LIST

- (1) Frame w/ canopy
- (1) sling seat with 5-point safety harness
- (1) tow bar
- (1) tow bar coupler
- (2) 16" rear wheels
- (1) Safety flag
- (1) Stroller kit with handlebar, bracket and wheel
- Assembly Tools included
- Brakes and rear wheel brackets attached

3. KEY FEATURES

- Quick Assembly, take down and storage
- Forward facing seating
- Five-point seating harness with quick lock and release
- Full rain cover with roll-up window
- Quick release wheels with cartridge bearings
- Optional stroller conversion kit
- Also suitable for pets

Meets ASTM F1975 Norm for Cycle Trailers
Meets ASTM F833 Norm for Carriages and Strollers

Certified by Mechanicals and Hardgoods Lab. SGS Taiwan Ltd.
127, Wu Kung Road, Wuku Industrial Zone, Taipei County, Taiwan
TW-24803 - Taipei
Registration number: TAF1053

Please read all instructions and examine contents carefully before assembly.

4.1 REMOVE TRAILER FROM CARTON

Remove the trailer from the carton and check the contents against the parts list.

WARNING: Immediately discard all plastic bags and plastic wrapping materials!

IMPORTANT: Do not remove the white foam from the wheel axles until STEP 4.4

4.2 UNFOLD TRAILER

Unfold trailer by pulling the frame and remove all components from inside. Note that the window tubes are made in two pieces, and are connected by a spring pin located in the rear half of the window frame tubes. To assemble, slide the fabric sleeve forward to access the end of the frame tube (Fig. 1). Next, slide the back half of the tube into the end of the frame tube. Depress spring pin and push tubes together to allow the spring pin to lock in place (Fig. 2).

Once the window tubes are assembled, slide the fabric back into position, and lift the rear frame tube to align the connector with the hole in the window tube. (Fig. 3 & 4). Insert the Quick-Release pin and close pin to lock. (Fig. 5). Frame is now assembled.

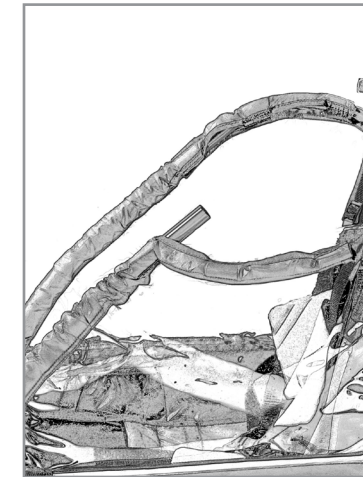


Figure 1



Figure 2

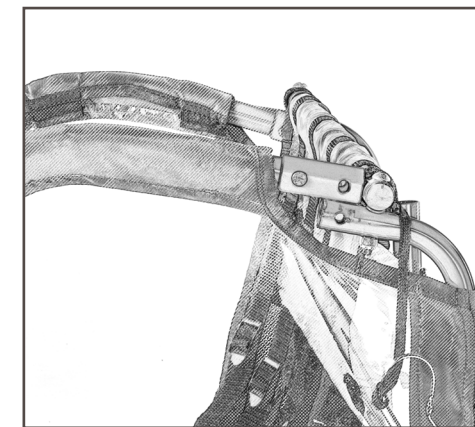


Figure 3

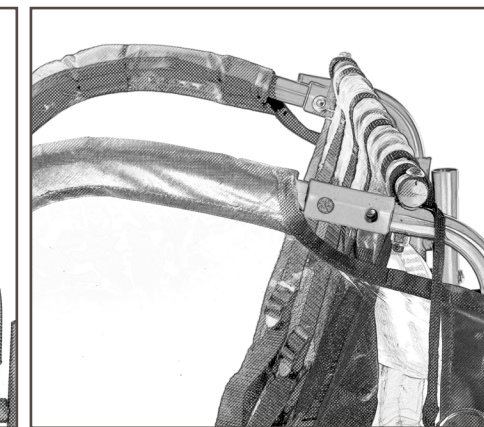


Figure 4

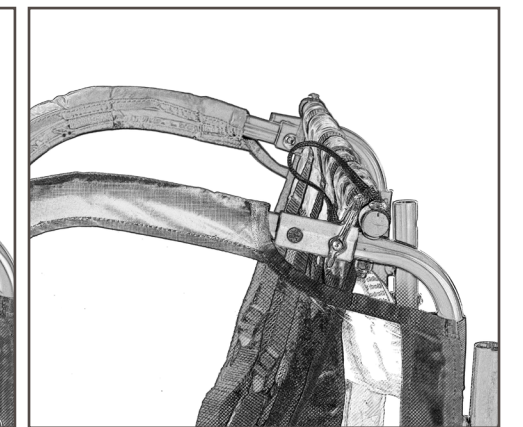


Figure 5

IMPORTANT: The two upper window tubes are not the same. They are marked R and L, and must be assembled in correct order for the frame to lock. The spring-release pins must be engaged for safe operation of the trailer. Failure to assemble properly may result in frame collapse, resulting in damage to the trailer and injury to the user. If the spring-release pins do not engage properly, **DO NOT USE**. Call the customer service number as indicated in the attached literature for assembly assistance.

NOTE: This process only needed for initial assembly. When folding for transport or storage, it is not necessary to disassemble the side frame tubes.

4.3 RELEASE TOW BAR

1. Turn the trailer on its side so the hitch arm is along the top edge (Fig. 6)
2. Find the Quick-Release pin that holds the tow bar in place in the tow bar bracket.
3. Open the loop of the Quick-Release pin and remove the pin.
4. Rotate the hitch arm forward until it is seated in the U-channel (Fig. 7). Re-install pin in front holes in the U-channel and close the snap pin so the loop of the pin lock is over the pin shaft (Fig. 8).



Figure 6

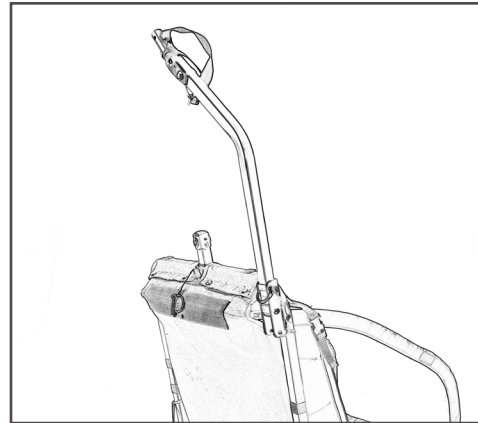


Figure 7

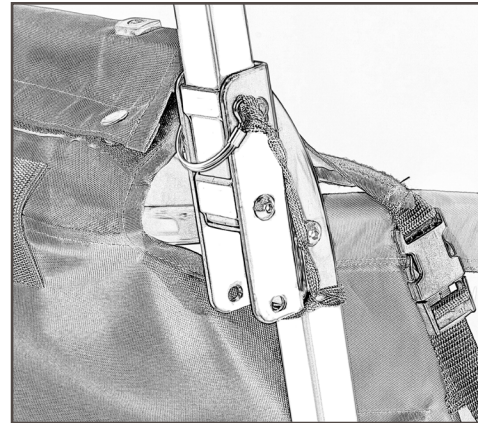


Figure 8

4.4 INSTALL WHEELS

1. Remove the foam from the wheel axles and discard immediately. Do not remove the washers.
2. Position the wheel with the stub axle next to the hole in the left wheel bracket (Fig. 9).
3. Slide the stub axle completely through the hole in the bracket so the wheel is in the use position (Fig. 10).
4. Tip trailer frame to allow access to the underside of trailer. Locate hole in end of hub axle.
5. Slide the Quick-Release pin (tethered to the bike frame near the wheel bracket) through the hole in the stub axle and loop the end over the shaft of the pin (Fig. 11). Repeat for the other wheel.

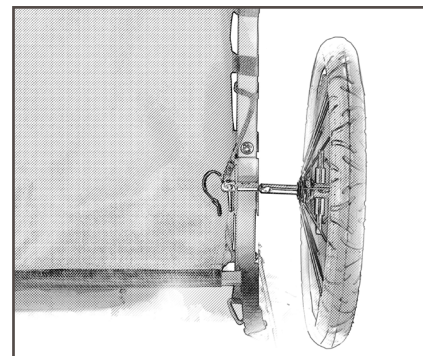


Figure 9

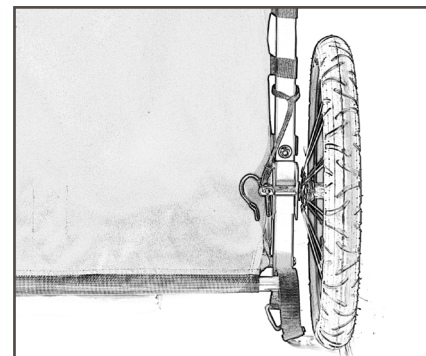


Figure 10

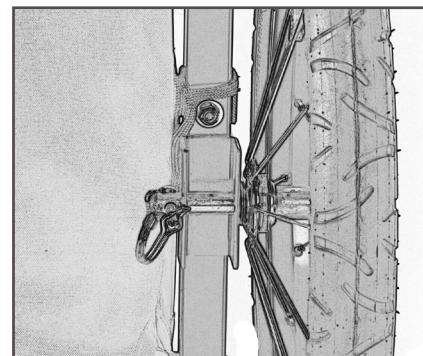


Figure 11

NOTE: Wheels must be properly installed with quick release pins close and snapped shut. If Quick-Release pins are not correctly attached, wheels may fall off. Do not use if Quick-Release pins are missing, or if the closure is damaged or missing.

4.5 WHEEL GUARD AND PARKING BREAK

Your trailer is equipped with a combination wheel guard and parking brake for added safety. The wheel guard helps to deflect the tire from obstructions that might stop the trailer and result in an accident.

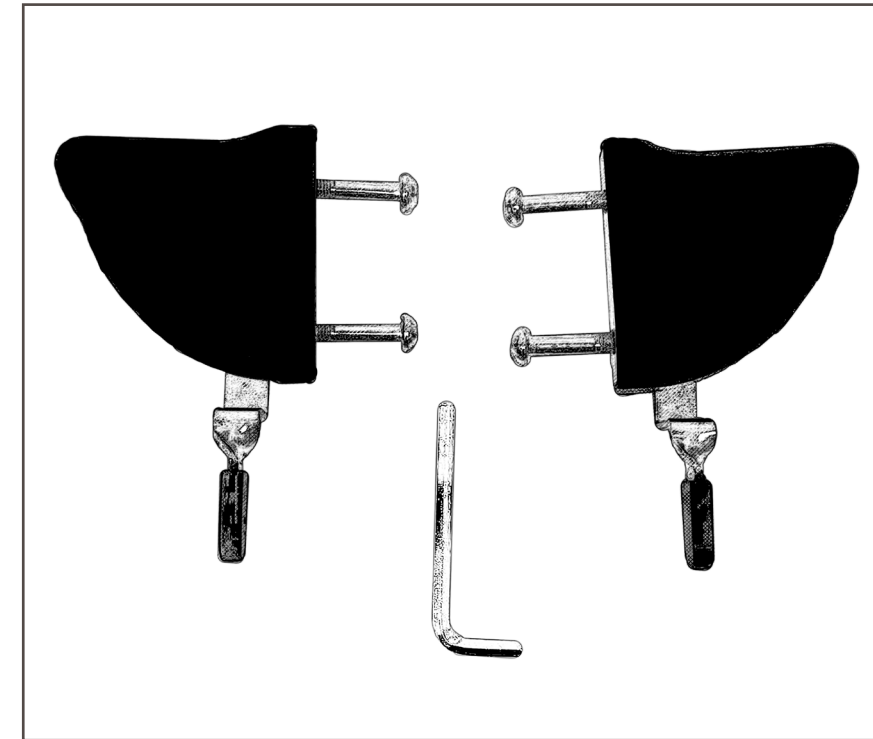


Figure 12

PARTS LIST

- (1) Hex Key
- (4) Screws
- (2) Wheel Guards with Cable

INSTALLATION

1. Unpack polybag and check that all parts are included (Fig. 12)
2. Locate the 2 holes in the front of the side frame, just in front of the wheel. (Fig. 13)
3. Place screws through holes in frame – from inside to outside. (Fig. 14)
4. Place the Wheel Guard Assembly against the frame, and use the hex key wrench provided to tighten the screws until snug. (Fig. 15)

NOTE: The nut is secured inside so you will not need a wrench or plier to hold the nut while tightening the fixing screw.

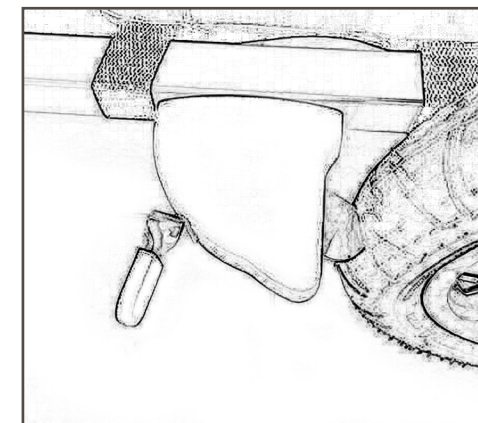


Figure 13

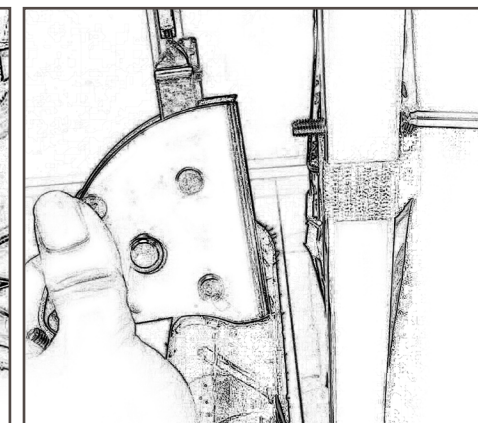


Figure 14

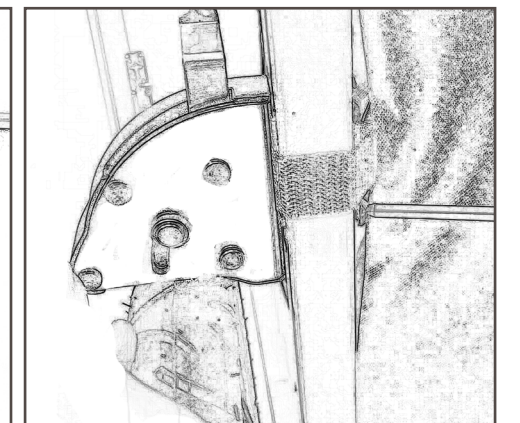


Figure 15

USING THE PARKING BREAK

To activate the parking brake, simply move the lever from inside to outside of the trailer base to engage the braking function. The brake shoe will contact the tire to lock the wheel (Fig. 16). Lock the locking lever on both sides of the trailer to brake the wheels on both sides.

IMPORTANT: Always use brakes when loading or unloading trailer, and release brake before riding. Never attempt to ride with brakes engaged.

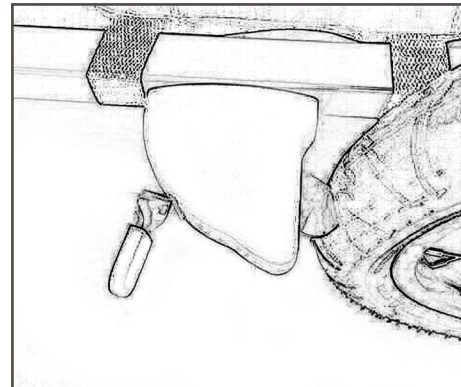


Figure 16

4.6 ATTACH FOUR-SEASON COVER

1. Position the Four-Season Cover over the trailer where roll-up window is facing towards the front side of the trailer (Fig. 18).
2. Wrap the Velcro backed fixing straps and secure the cover around the frame (Fig. 19).
3. Secure the Velcro material at the bottom front of the cover to the matching Velcro material on the lower front fabric panel.
4. Roll down window and clip hooks to D-rings to secure (Fig. 20).

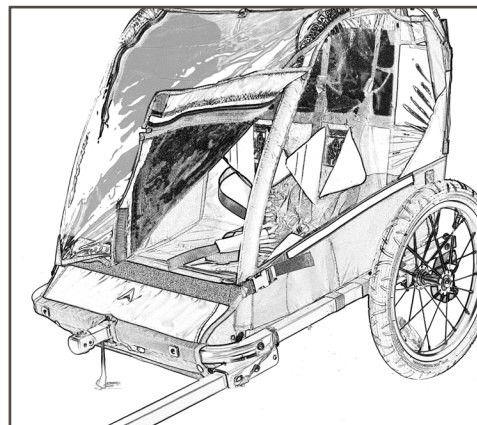


Figure 18



Figure 19

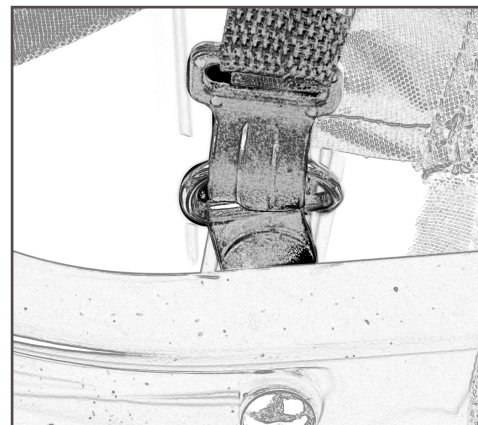


Figure 20

ROLLING UP THE FOUR-SEASON COVER

The Four-Season Cover is designed to keep passengers and cargo dry and warm in inclement weather. It also protects the passengers from flying debris. The Four-Season Cover can be rolled up to allow for added ventilation in hot weather. Elastic closures (Fig. 21) keep the Four-Season Cover in place when rolled up (Fig 22).

WARNING: Never use the trailer without the Four-Season Cover. The front window or bug screen must be attached to protect children from flying objects.

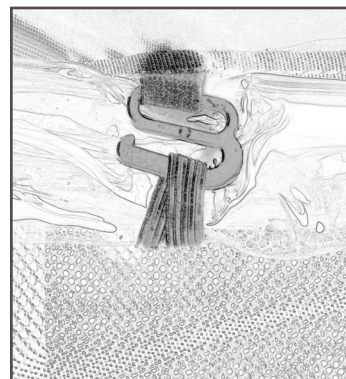


Figure 21

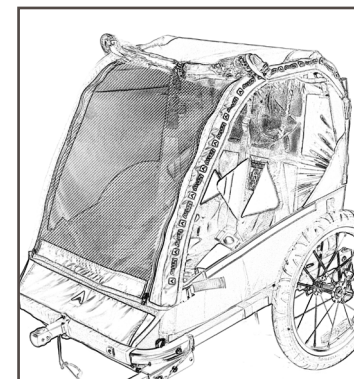


Figure 22

4.7 INSTALL SAFETY FLAG

1. Find and assemble the 3-piece safety flag.
2. Locate flag pocket in trailer cabin fabric, and insert flag in pocket (Fig. 23.)
3. Remove flag before attempting to fold Trailer

4.8 ATTACH TRAILER HITCH TO BICYCLE

BOLT-ON REAR AXLE

1. For bolt-on rear wheel, loosen left side rear axle to allow the hitch to attach to frame.
2. Position hitch over left rear axle of bicycle frame, replacing axle nut. Tighten securely, with hitch tab facing rear of bike, roughly parallel to the ground (Fig. 24).
3. Test to make certain axle nut is secure. Trailer hitch must not be able to rotate by hand.

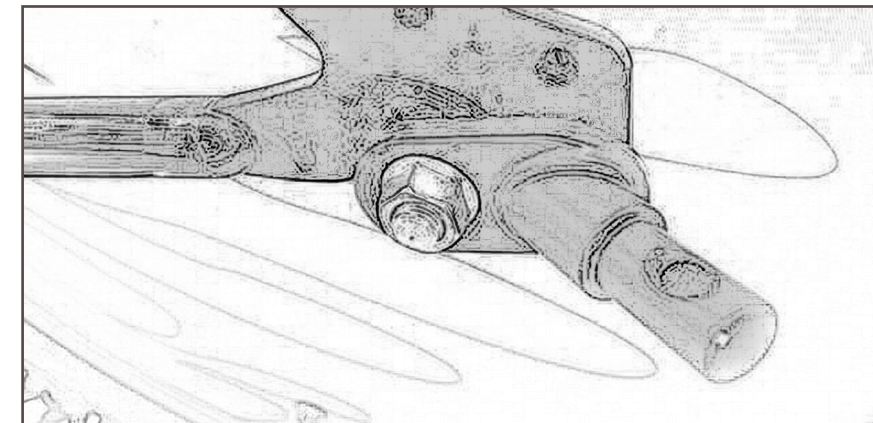


Figure 24



Figure 23

QUICK-RELEASE AXLE

1. For Quick-Release rear wheel, loosen lever and remove Quick-Release skewer. Do not remove wheel.
2. Slide hitch onto skewer, with the angled tab facing out, and reinstall the skewer through the axle, position with hitch tab facing rear of bike, roughly parallel to the ground (Fig. 25).
3. Tighten Quick-Release axle and make certain wheel and hitch are secure. Trailer hitch must not be able to rotate by hand. If Quick-Release axle is too tight or too loose, when in closed position, open the lever and tighten or loosen the nut to ensure the axle is tight.

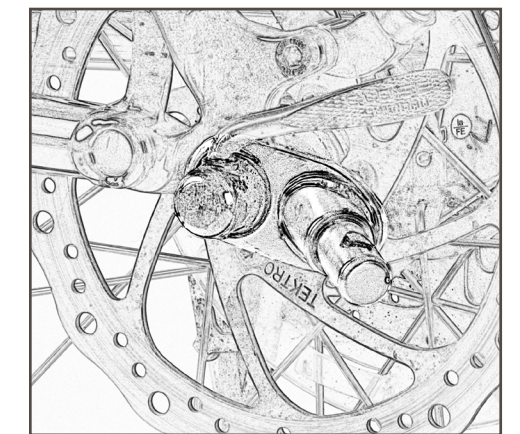


Figure 25

WARNING: Safety requires that Quick-Release axles be used correctly. If they are not, the wheel can fall out or become loose, causing accident or injury. If you are not familiar with the operation of Quick-Release axles, please seek guidance and instruction from a bicycle professional.

4.9 ATTACH TRAILER TO BICYCLE

1. Position trailer tow arm to align with trailer hitch on bicycle frame. Slide the tow arm flex coupler onto the trailer hitch, aligning the holes in tow arm with the hole in the hitch (Fig. 26).
2. Insert Quick-Release pin through tow arm and hitch and close and lock the pin (Fig. 27).
3. Thread the safety strap through the lower chainstay of the frame, being careful not to interfere with brakes or other moving components. Clip to D-ring on the tow arm (Fig. 28).

WARNING: Safety strap must attach to the bike frame when using this product in trailer mode.

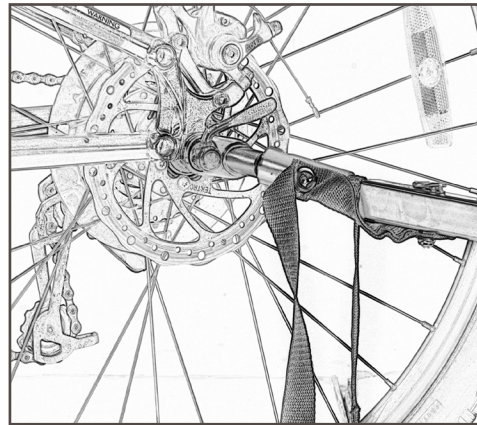


Figure 26

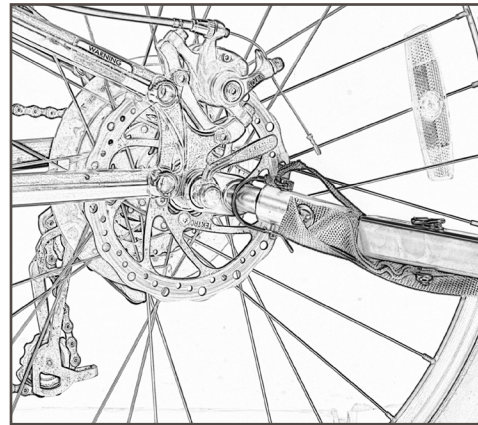


Figure 27

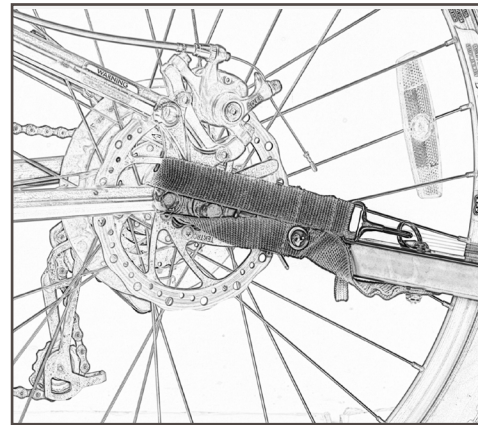


Figure 28

REMOVING TRAILER FROM BICYCLE

1. To remove the trailer from the bicycle, release the safety strap shown above.
2. Remove the Quick-Release pin from the tube connecting the hitch arm to the black hitch.
3. Pull back on the hitch arm to release trailer from the black hitch, which remains on the bicycle.

NOTE: For convenience, you may purchase additional hitch ends for convenient fitting of the trailer to multiple bicycles. Contact your retailer for details.

4.10 CONVERT TO STROLLER

Your trailer includes a stroller kit for convenient conversion from trailer to stroller when circumstances require. Trailing your child to the destination of your choice is great, but having the convenience of a stroller when you reach your destination expands your options. Head to the park or the seashore, then quickly convert to stroller function for shopping, hiking or a walk along the seashore. Conversion takes but a moment, and the comfortable handlebar, short wheelbase and swivel wheel makes pushing your child smooth and easy. Of course, the 5 point harness is still there to secure your child in the stroller.

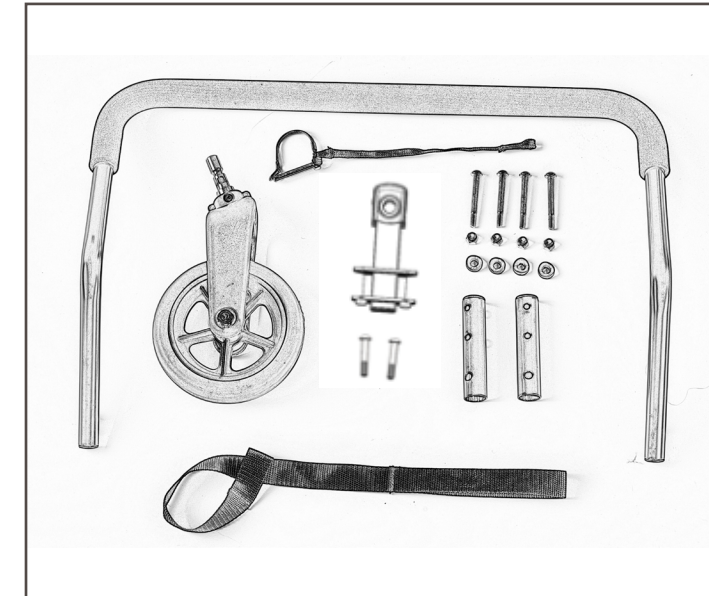


Figure 29

PARTS LIST

- (1) Handlebar
- (1) Safety Wrist strap
- (1) Front Swivel Wheel & Fork assembly
- (1) Swivel wheel mounting bracket and Hardware
- (1) Quick-Release pin with strap

INSTALLATION

1. Place the frame of the assembled trailer on the rear frame, with front of trailer facing up.
2. Unsnap the fabric from around the front crossbar
3. Locate the stroller wheel mounting holes in the center of the front frame tube (Fig. 30).
4. Slide wheel bracket over the frame as shown in Fig 30.
5. Insert the two M6 * 37mm screws (the shorter ones) through the front two holes of the stroller wheel mounting bracket, and tighten securely (Fig. 32).

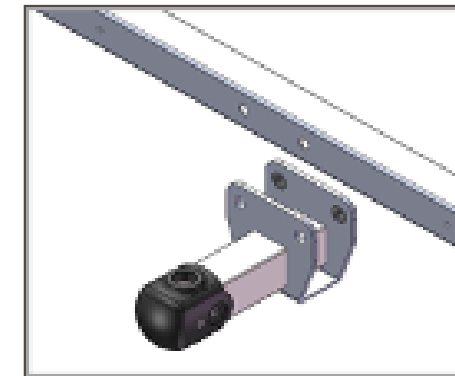


Figure 30

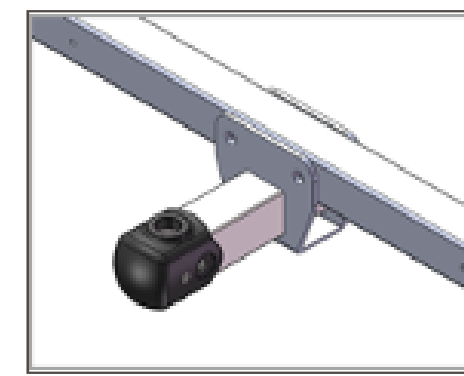


Figure 31

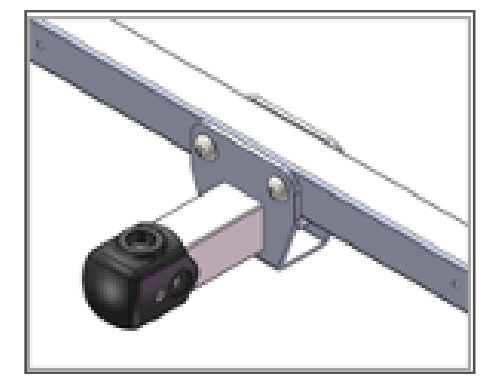


Figure 32

INSTALLATION (CONTINUED)

6. Wrap the strap of the Quick-Release pin around the frame, and back through the loop in the strap to fix it to the frame.
7. Re-attach the lower trailer fabric to the front frame, wrapping it, securing the snaps.
8. Insert the axle of the swivel wheel in the bracket and then insert the Quick-Release pin through the hole in the bracket, snapping the Quick-Release pin closed to lock the wheel in place (Fig. 33).
9. Set trailer back upright, and locate the handlebar fixing brackets on the rear of the frame (Fig. 34). Press the spring pin on the handlebar to allow the handlebar tube to slide into the bracket until the spring pin snaps into place (Fig. 35). To avoid binding and interference, best to insert right and left sides of the handlebar at the same time before depressing the spring pins. Then both sides will snap easily in place. To remove, simply depress the pin and pull the handlebar out.
10. Loop the wrist strap around the handlebar as shown (Fig. 36). Always use the safety wrist strap when pushing your child in the stroller. This feature allows you to remain in control of the trailer in the event of a fall or sudden distraction.

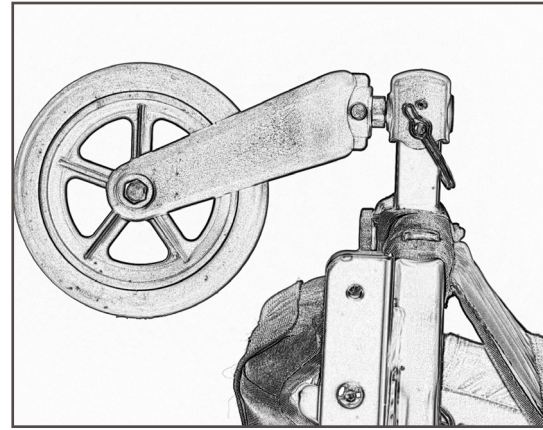


Figure 33

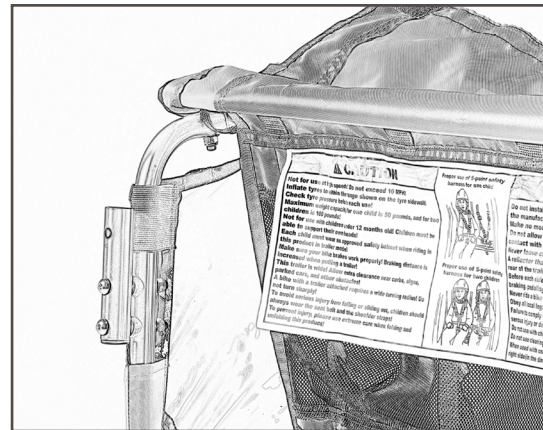


Figure 34



Figure 35

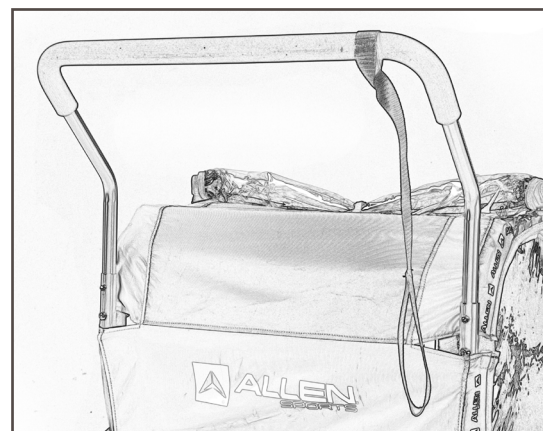


Figure 36

USING THE OPTIONAL STROLLER KIT

Once installed, the conversion to from trailer to stroller takes but a few seconds.

1. Release the trailer arm by removing the Quick-Release pin holding it in place. Fold the arm back under the trailer, then refit the pin to hold the arm in place under the frame.
2. Insert the front wheel in the bracket on the front frame, secure the Quick-Release pin, and the wheel is ready.
3. Install the handlebar as described above, and you are ready to go. The handlebar can remain on the trailer, if your prefer, when being towed by a bicycle.

IMPORTANT: Always use parking brake when loading or unloading stroller. Never leave child unattended. Always use safety harness.

5. OPERATING INSTRUCTIONS

5.1 USING 5-POINT SAFETY HARNESS

1. Undo the lap belt buckle, unclip the shoulder straps and crotch strap from D-ring, and seat the child
2. Buckle the lap belt over the child's lap, and pull the straps until the belt is snug.
3. Place the two center shoulder straps over the child's shoulders, and clip both straps into the D-ring of the center crotch strap.
4. Adjust the shoulder strap height according to the height of the child, then pull the straps until they are snug.

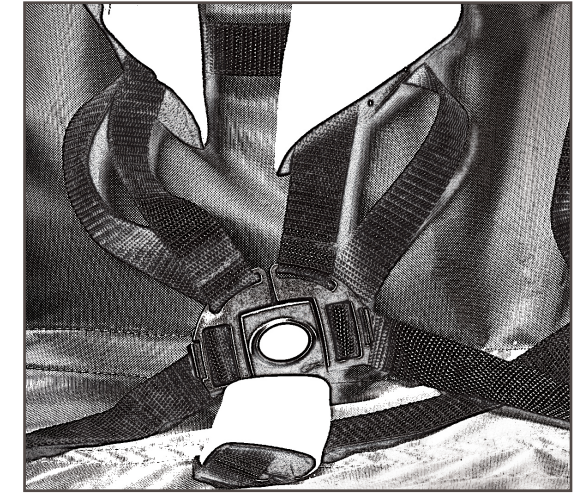


Figure 37

IMPORTANT: To avoid serious injury children should always wear the seat belt and shoulder straps! Adjust the straps so that the crotch strap and shoulder straps meet at the child's stomach level, not at chest level!

REMOVAL OF PASSENGERS

Before removing children or cargo from the trailer, stop the bicycle and lock the trailer parking brakes on both wheels. Then open the passenger compartment window, release the safety harness and allow the passengers to exit the trailer. Take care the bicycle attached to the trailer does not fall over during loading and unloading.

5.2 FOLDING FOR STORAGE AND TRANSPORT

1. Remove children and all cargo from inside the passenger compartment.
2. Unclip the tow bar safety strap from the D-ring, and remove pin to remove hitch from frame.
3. Clip the end of the strap back on to the tow bar D-ring.
4. Remove the flag and pole and separate the sections.
5. Remove the quick-release pins from the stub axles of the rear wheels.
6. Remove the quick-release pin from the tow bar bracket at the front corner of the trailer.
7. Fold the tow bar back under the trailer, and replace the Quick-Release pin through the tow bar and U-channel
8. Place wheels and flag inside the passenger compartment, and close the front cover.
9. Fold upper cabin as shown (Fig. 38):
 - a. Remove Four-Season Cover.
 - b. Remove Quick-Release Pins from upper frame and pull apart from both sides.
 - c. Fold frame down until trailer is flat as shown (Fig. 39).

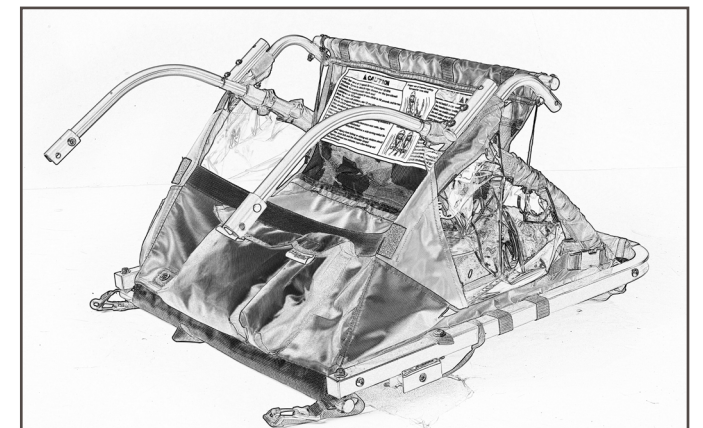


Figure 38

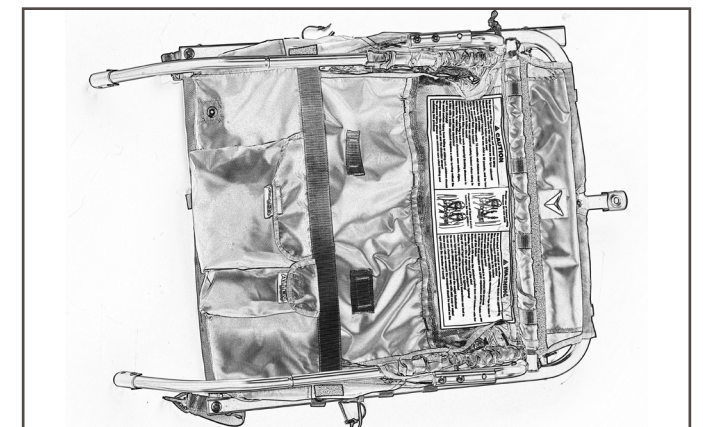


Figure 39

6. MAINTENANCE

Before each ride, check the trailer for signs of wear or damage. Inflate tires to correct pressure as stated on tire sidewall, and check for wear and tear before each ride. Use of hand pump recommended to avoid over-inflation. Check nuts and bolts for tightness, and make sure Quick-Release pins for wheels, frame and hitch are secured. Once a year, it is recommended to have the trailer inspected by a qualified bicycle mechanic. The trailer fabric can be cleaned with mild soap and water, and allowed to air dry. The fabric is not machine washable.

7. WARRANTY

Visit www.allensportsusa.com for full warranty details.
If your product requires warranty service, please do not return it to a retail store.

Please contact:

ALLEN SPORTS USA

CUSTOMERSERVICE@ALLENRACKS.COM

Please note that all returns and exchanges are subject to the return policy of the retailer where the product was originally purchased.

LEARN MORE

For more information, including instructional videos and online manuals, visit **ALLEN CARE** at www.allensportsusa.com



www.allensportsusa.com

R. A. ALLEN CO., INC. - 36 Maplewood Ave., Portsmouth, NH 03801, USA

Product designed in USA, Made in Ningbo, China