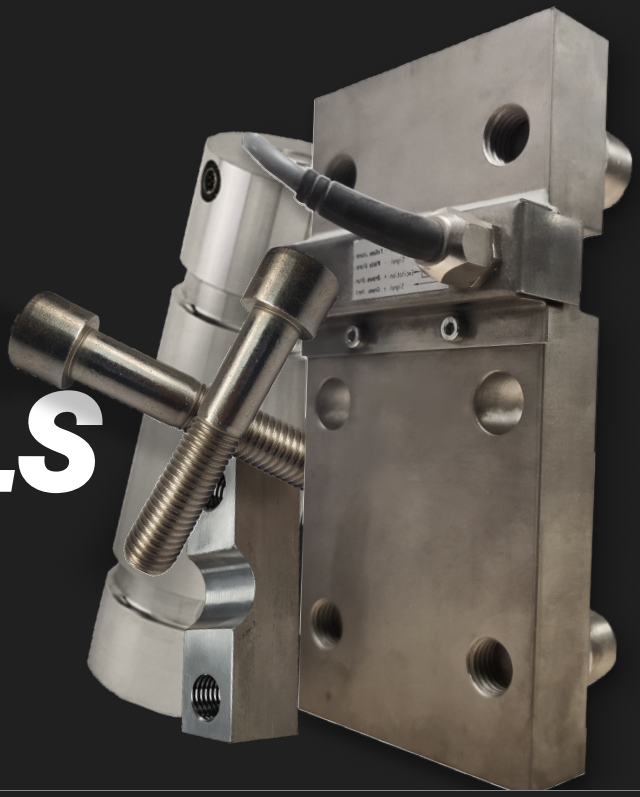




ADVANCED LOAD CELLS



SAF-LIFT LOAD CELLS & PINS

SAF-LIFT load cells are specially designed to measure the tension force on hoisting ropes or shear force on a hoist load pin.

Wire rope load cells are equipped for a wide range of measured loads from 0.25t to 24t and wire ropes ranging from 6mm to 46mm.

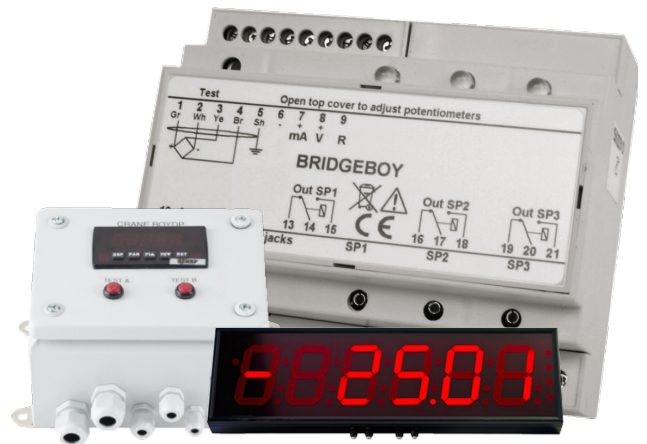
Highest accuracy is achieved with load pins that can be custom configured to replace an existing standard hoist load pin with capacities as high as 1000t. Both are offered in stainless steel construction, rated IP65. Both can also be offered with either 4-20 mA or 1-5 Volt integrated amplifier



FOR YOUR COMPLEX LOAD MONITORING PROJECTS

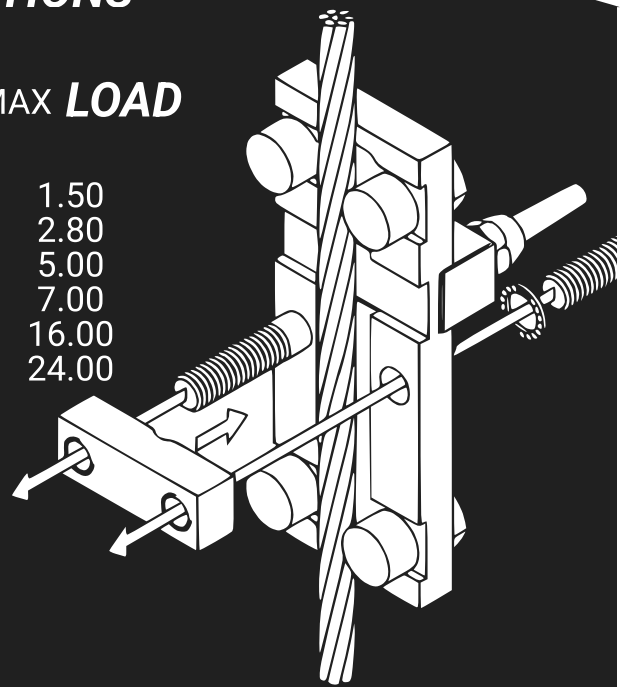
Load cells are specially designed for equipment of existing cranes. Consider Bridge-Boy overload controllers or Crane-Boy with both overload monitoring and digital load display. Add load summation modules as well as large digital displays for a complete load monitoring solution.

Engineered for fast and easy installation, SAF-LIFT load cells can be mounted directly on the anchor point of the crane.



TECHNICAL SPECIFICATIONS

MODEL	CABLE (mm)	MIN LOAD	NOM LOAD	MAX LOAD
55501TSA	06 - 14	0.40	1.10	1.50
55001SA	10 - 16	0.75	2.00	2.80
55001A	12 - 20	1.60	3.50	5.00
55002A	14 - 28	2.00	5.00	7.00
55003A	26 - 36	5.50	10.00	16.00
55004A	35 - 45	10.0	15.00	24.00



(888) 822-2024

www.ipandc.com

sales@ipandc.com