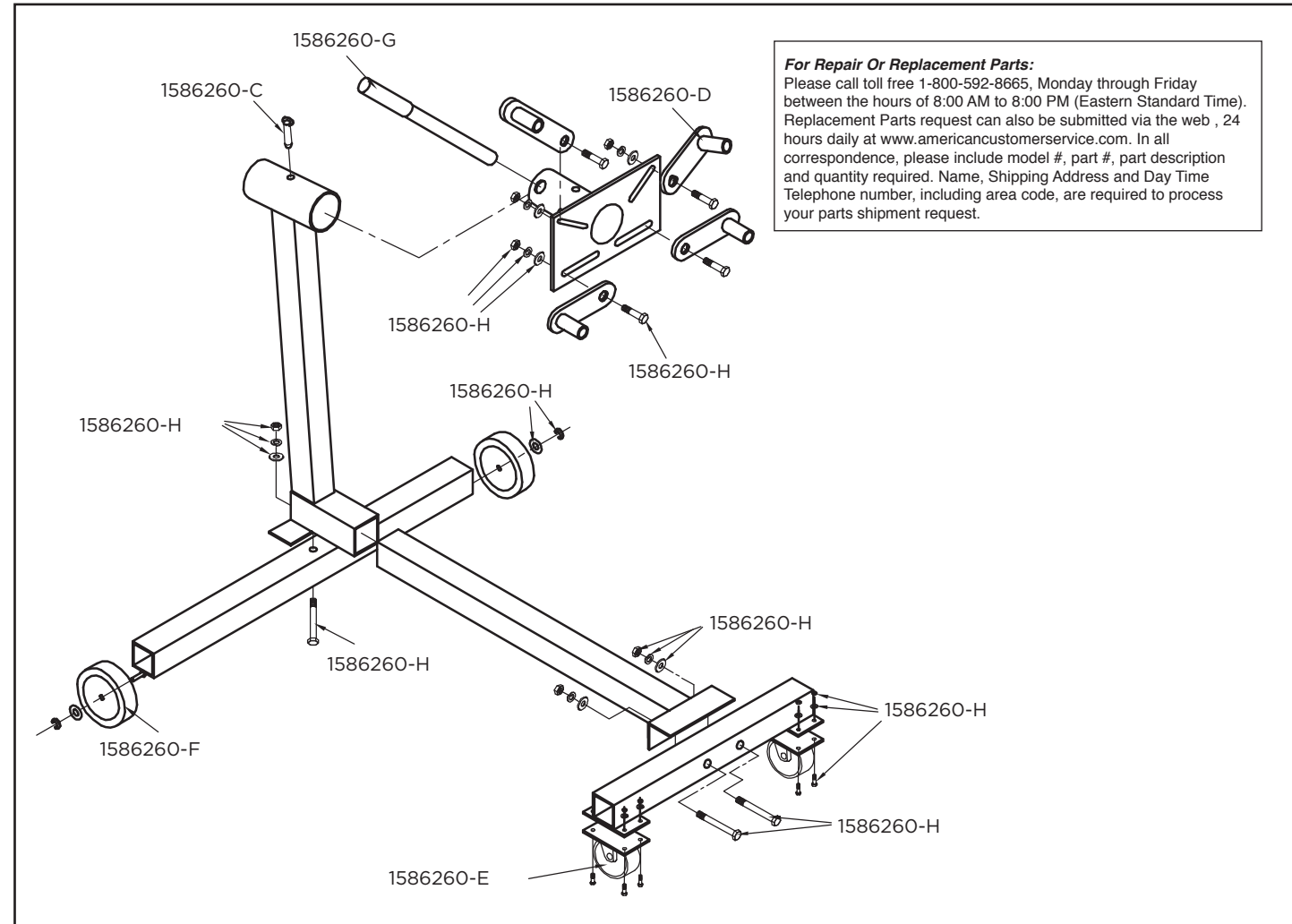




1/2 Ton (1,000 Lbs.) Engine Stand Model 1586260 Replacing Parts List



For Repair Or Replacement Parts:
Please call toll free 1-800-592-8665, Monday through Friday between the hours of 8:00 AM to 8:00 PM (Eastern Standard Time). Replacement Parts request can also be submitted via the web, 24 hours daily at www.americancustomerservice.com. In all correspondence, please include model #, part #, part description and quantity required. Name, Shipping Address and Day Time Telephone number, including area code, are required to process your parts shipment request.

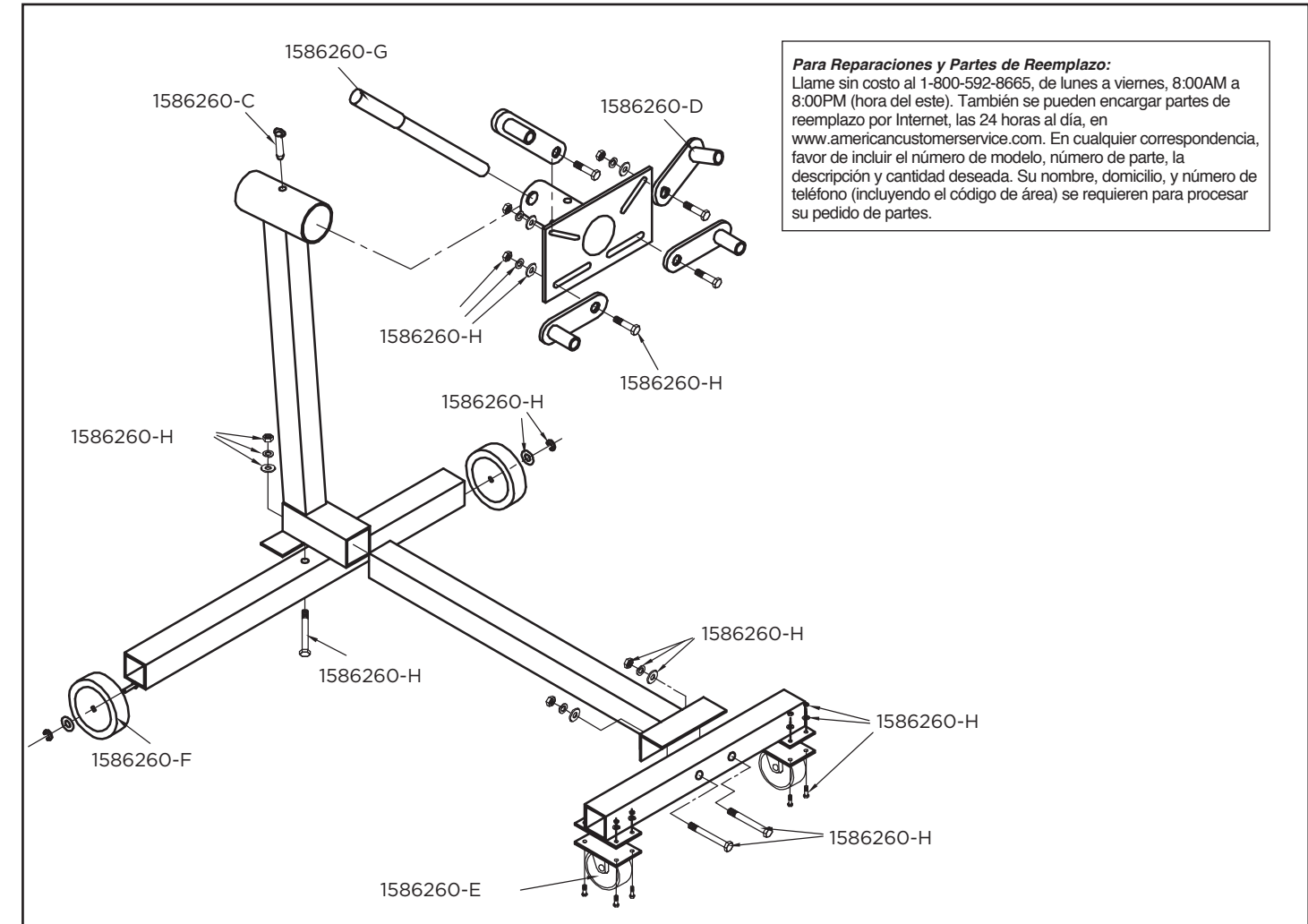
PARTS LIST

PART NO.	DESCRIPTION	Q'TY
1586260-C	LOCK PIN	1
1586260-D	MOUNTING ARMS	4
1586260-E	CASTER, 3-1/2"	2
1586260-F	WHEEL, REAR 4"	2
1586260-G	HANDLE	1
1586260-H	BOLT 9/16" X 2-1/2" LG	4
	WASHER, FLAT 9/16"	4
	LOCK WASHER, 9/16"	4
	NUT, HEX 9/16" NC	4
	WASHER, FLAT 1/2"	3
	LOCK WASHER, 1/2"	1

PART NO.	DESCRIPTION	Q'TY
1586260-H	NUT, HEX 1/2" NC	1
	NUT, HEX 3/8" NC	2
	LOCK WASHER, 3/8"	2
	WASHER, FLAT 3/8"	2
	BOLT, 3/8" X 2-3/4" LG	2
	BOLT, 5/16" X 5/8" LG	8
	LOCK WASHER, 5/16"	8
	NUT, HEX 5/16" NC	8
	BOLT, 1/2" X 3" LG	1
	RETAINING RING	2



Sostén Para Motores De 1/2 toneladas (1,000 Libras) Model 1586260 Lista de partes de reemplazo



Para Reparaciones y Partes de Reemplazo:
Llame sin costo al 1-800-592-8665, de lunes a viernes, 8:00AM a 8:00PM (hora del este). También se pueden encargar partes de reemplazo por Internet, las 24 horas al día, en www.americancustomerservice.com. En cualquier correspondencia, favor de incluir el número de modelo, número de parte, la descripción y cantidad deseada. Su nombre, domicilio, y número de teléfono (incluyendo el código de área) se requieren para procesar su pedido de partes.

LISTA DE PARTES

PZ. NO.	DESCRIPCIÓN	CANTIDAD
1586260-C	CLAVIJA DE TRABA	1
1586260-D	BRAZOS DE MONTAJE	4
1586260-E	RUEDA 3-1/2"	2
1586260-F	RUEDA TRASERA 4"	2
1586260-G	MANIJA	1
1586260-H	PERNO 9/16" x 2-1/2" LG	4
	ARANDELA PLANA DE 9/16"	4
	ARANDELA DE TRABA 9/16"	4
	TUERCA HEXAGONAL 9/16"	4
	ARANDELA PLANA DE 1/2"	3
	ARANDELA DE TRABA 1/2"	1

PZ. NO.	DESCRIPCIÓN	CANTIDAD
1586260-H	TUERCA HEXAGONAL 1/2"	1
	TUERCA HEXAGONAL 3/8"	2
	ARANDELA DE TRABA 3/8"	2
	ARANDELA PLANA DE 3/8"	2
	PERNO 3/8" x 2-3/4" LG	2
	PERNO 5/16" x 5/8" LG	8
	ARANDELA DE TRABA 5/16"	8
	TUERCA HEXAGONAL 5/16"	8
	PERNO 1/2" x 3" LG	1
	ANILLO FIJO	2

1586260 / AG00005G-DT Size: 21x29.7cm

2021.07.15

TESTRITE 本文档所揭露的圖面與資訊內容均屬於特力公司擁有之智慧財產機密資料，未經特力公司書面同意，不得利用作為本專案以外之其他目的，進行複製、抄襲或衍生發展相似的產品或服務。
The drawing and content revealed in this document are confidential information about the intelligent property owned by Test Rite International Co. Ltd., May not be used to copy, reproduce or expand similar products or services for purposes other than this project without the written consent of Test Rite International Co. Ltd.

1586260 / AG00005G-DT Size: 21x29.7cm