

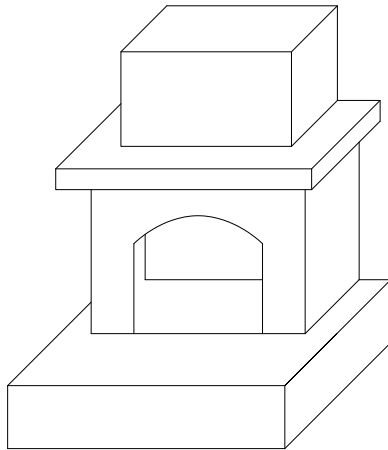


KINDRED®

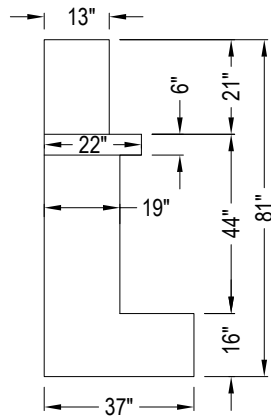
OUTDOORS + SURROUNDS

SELECT DESIRED EXTENSION OPTION:

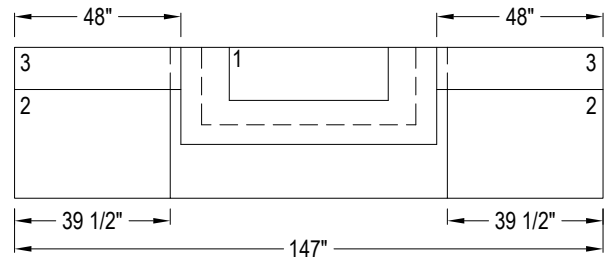
- CHIMNEY (1)
- HEARTH (2)
- HEARTH BACKREST (3)



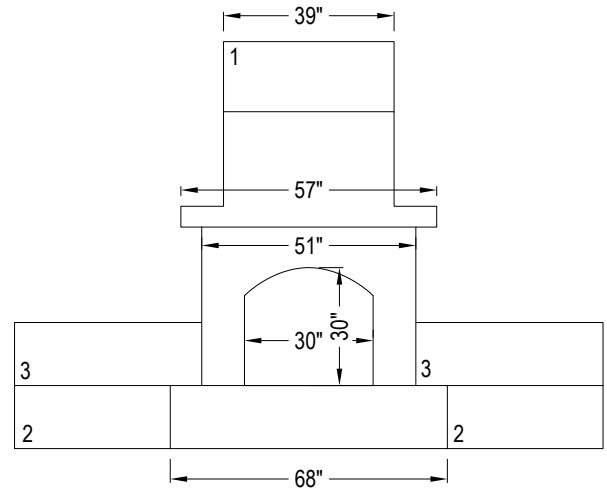
PERSPECTIVE



SIDE ELEVATION



PLAN VIEW



FRONT ELEVATION

SPECIFICATIONS:

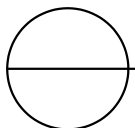
MATERIAL: CUSTOM STONE, BRICK, NATURAL VENEER, OR STUCCO AVAILABLE

FINISH: SCRATCH COAT SURFACE

FIXING METHOD: OUTDOOR UNIT BUILT ON NON-COMBUSTIBLE CONCRETE SLAB

NOTES:

1. INSTALLATION TO BE COMPLETED IN ACCORDANCE WITH MANUFACTURER'S SPECIFICATIONS.
2. DO NOT SCALE DRAWING.
3. THIS DRAWING IS INTENDED FOR USE BY ARCHITECTS, ENGINEERS, CONTRACTORS, CONSULTANTS AND DESIGN PROFESSIONALS FOR PLANNING PURPOSES ONLY. THIS DRAWING MAY NOT BE USED FOR CONSTRUCTION.
4. ALL INFORMATION CONTAINED HEREIN WAS CURRENT AT THE TIME OF DEVELOPMENT BUT MUST BE REVIEWED AND APPROVED BY THE PRODUCT MANUFACTURER TO BE CONSIDERED ACCURATE.
5. CONTRACTOR'S NOTE: FOR PRODUCT AND COMPANY INFORMATION VISIT www.CADdetails.com/info AND ENTER REFERENCE NUMBER 5128-027



FIREPLACES

WILMINGTON™ GAS-BURNING FIREPLACE