



# KINDRED®

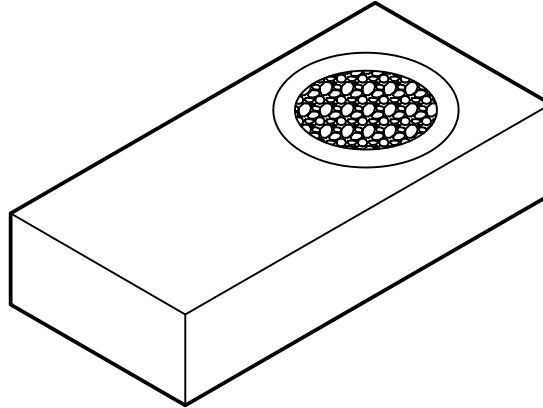
OUTDOORS + SURROUNDS

SELECT DESIRED COLOR:

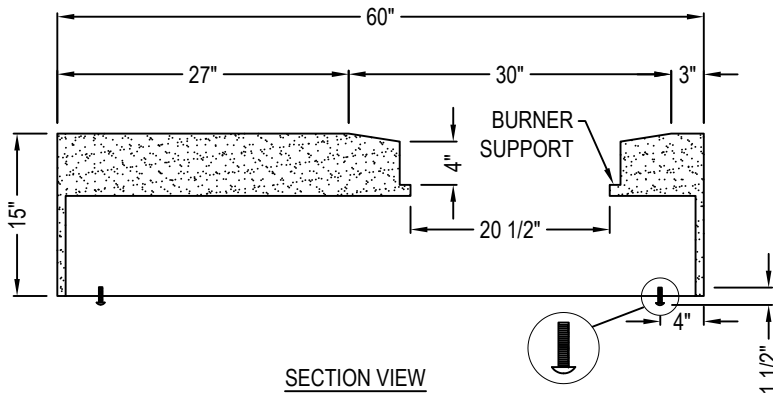
- BLACK SAND
- AGED TEAK
- OAK BARREL
- OYSTER SHELL

SELECT DESIRED FINISH:

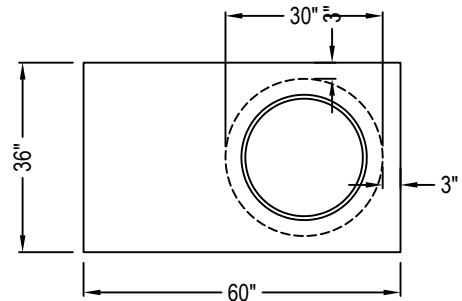
- HONED
- TRAVERTINE



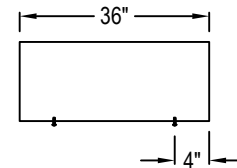
PERSPECTIVE  
(TOP VIEW)



SECTION VIEW



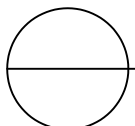
TOP VIEW



SIDE ELEVATION

NOTES:

1. INSTALLATION TO BE COMPLETED IN ACCORDANCE WITH MANUFACTURER'S SPECIFICATIONS.
2. DO NOT SCALE DRAWING.
3. THIS DRAWING IS INTENDED FOR USE BY ARCHITECTS, ENGINEERS, CONTRACTORS, CONSULTANTS AND DESIGN PROFESSIONALS FOR PLANNING PURPOSES ONLY. THIS DRAWING MAY NOT BE USED FOR CONSTRUCTION.
4. ALL INFORMATION CONTAINED HEREIN WAS CURRENT AT THE TIME OF DEVELOPMENT BUT MUST BE REVIEWED AND APPROVED BY THE PRODUCT MANUFACTURER TO BE CONSIDERED ACCURATE.
5. CONTRACTOR'S NOTE: FOR PRODUCT AND COMPANY INFORMATION VISIT [www.CADdetails.com/info](http://www.CADdetails.com/info) AND ENTER REFERENCE NUMBER 5128-018



## ARTISAN FIRE BOWLS

TUYA