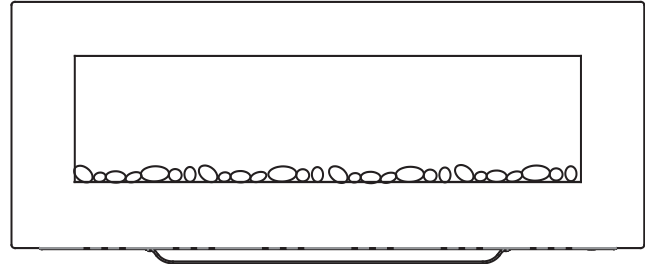
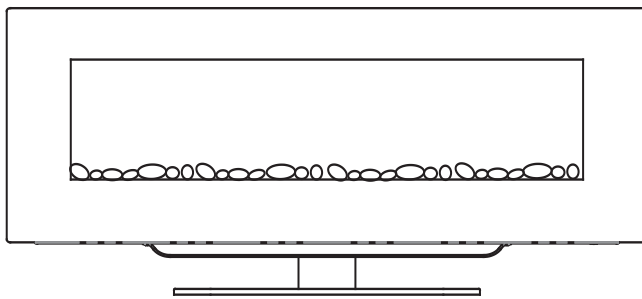


### Model(s):

SF-WMS38-BK



Wall Hanging Mode



Free-Standing Mode

### NOTICE



#### DO NOT DISCARD THIS MANUAL

- Important operating and maintenance instructions included.
- Read, understand and follow these instructions for safe installation and operation.
- Leave this manual with party responsible for use and operation.

**DO NOT  
DISCARD**

### Congratulations!

Congratulations on selecting a SimpliFire Electric Fireplace, an elegant and clean alternative to wood & gas burning fireplaces. The SimpliFire electric fireplace you have selected is designed to provide the utmost in safety, reliability, and efficiency.

**READ CAREFULLY BEFORE ATTEMPTING TO ASSEMBLE, INSTALL, OPERATE, OR MAINTAIN THIS PRODUCT.**

**PROTECT YOURSELF AND OTHERS BY OBSERVING ALL SAFETY INFORMATION. FAILURE TO COMPLY WITH INSTRUCTIONS COULD RESULT IN PERSONAL INJURY AND/OR PROPERTY DAMAGE.**

**⚠ WARNING: To reduce risk of fire, electrical shock, or personal injury, read all instructions before using appliance.**

# 1 IMPORTANT INSTRUCTIONS

## IMPORTANT SAFETY INSTRUCTIONS

**WARNING! Risk of Fire! Risk of Burns!  
Risk of Electrical Shock!**

**DO NOT:**

- Install or operate damaged appliance
- Modify appliance
- Operate the appliance without fully assembling all components

Hearth & Home Technologies Inc. disclaims any responsibility for, and the warranty and agency listing will be voided by the above actions.

**WARNING! DO NOT operate fireplace before reading and understanding operating instructions.** Failure to operate fireplace according to operating instructions could cause fire or injury.

**WARNING! Improper installation, adjustment, alteration, service or maintenance can cause injury or property damage.** Refer to owner's information manual provided with this heater.

**NOTICE!** This fireplace is not intended for use as a primary heat source and should not be factored as such in residential heating calculations.

When using electrical appliances, basic precautions should always be followed to reduce the risk of fire, electric shock, and injury to persons, including the following:

- Read all instructions before installing this appliance.
- This appliance is hot when in use. To avoid burns, do not let bare skin touch hot surfaces. Keep combustible materials such as furniture, pillows, bedding, papers, clothes, etc. and curtains at least 3 ft. (0.9 m) from the front of the appliance and keep them away from the sides and rear
- Extreme caution is necessary when any appliance is used by or near children or invalids and whenever the appliance is left operating and unattended.
- Do not operate any appliance if it malfunctions. Disconnect power at service panel and have appliance inspected by a reputable electrician before reusing.
- Do not insert or allow foreign objects to enter any ventilation or exhaust opening as this may cause an electric shock or fire, or damage the appliance.
- To prevent a possible fire, do not block appliance connection fan air intakes or exhaust in any manner.
- A appliance has hot and arcing or sparking parts inside. Do not use it in areas where gasoline, paint, or flammable vapors or liquids are used or stored.
- Use this appliance only as described in this manual. Any other use not recommended by the manufacturer may cause fire, electric shock, or injury to persons.
- Do not operate any appliance with a damaged cord or plug or after the appliance malfunctions, has been dropped or damaged in any manner. Return appliance to authorized service facility for examination, electrical or mechanical adjustment or repair.
- Do not use outdoors.
- The appliance is not intended for use in bathrooms, laundry areas and similar indoor locations. Never locate appliance where it may fall into a bathtub or water container.
- Do not run cord under carpeting. Do not cover cord with throw rugs, runners, or the like. Arrange cord away from traffic areas and where it will not be tripped over. Do not tightly coil cord.
- Always use properly grounded, fused and polarized outlets.
- Always use ground fault protection where required by electrical code.
- To disconnect appliance, turn controls to "OFF" then remove plug from outlet.
- Always disconnect power before performing any cleaning, maintenance or relocation of the appliance.
- To prevent a possible fire, do not burn wood or other materials in this appliance.
- To prevent electrical shock or fire, always use a certified electrician should new circuits be required.
- When transporting or storing the appliance, keep in a dry place free from excess vibration and store to avoid damage.
- Avoid use of an extension cord because an extension cord may overheat and cause a fire. However if you have to use an extension cord, the cord should be No. 14 AWG minimum size and rated to not less than 1875 watts.

**SAVE THESE INSTRUCTIONS**

**▲ Safety Alert Key:**

- **WARNING!** Indicates a hazardous situation which, if not avoided could result in death or serious injury.
- **CAUTION!** Indicates a hazardous situation which, if not avoided, could result in minor or moderate injury.

## Table of Contents

### 1 IMPORTANT INSTRUCTIONS

A. Important Instructions . . . . .	2
B. Warranty . . . . .	4

### 2 GENERAL INFORMATION

A. Appliance Certification . . . . .	5
B. California . . . . .	5
C. Unpacking and Inspecting Appliance . . . . .	5
D. Model and Serial Number Information . . . . .	5

### 3 GETTING STARTED

A. Parts and Hardware . . . . .	6
B. Tools and Supplies Needed . . . . .	6
C. Appliance . . . . .	6
D. Location . . . . .	7
E. Clearance to Combustibles . . . . .	7
F. Electrical Supply Circuit Requirements . . . . .	7

### 4 INSTALLATION

A. Wall Mounting Bracket . . . . .	8
B. Installing Wall Mount Bracket . . . . .	8
C. Appliance Installation . . . . .	9
D. Free Standing Assembly . . . . .	10
E. Faux Stone Installation . . . . .	10
F. Glass Front Installation . . . . .	10

### 5 OPERATING INSTRUCTIONS

A. Manual Switch Function: . . . . .	11
B. Operating by Remote Control . . . . .	12
C. Resetting Temperature Cutoff Switch . . . . .	12

### 6 MAINTENANCE

A. Maintenance . . . . .	13
B. Cleaning . . . . .	13
C. Servicing . . . . .	13
D. Service Parts List . . . . .	14

## B. Warranty

## SimpliFire™ WARRANTY

Hearth & Home Technologies, on behalf of its brand SimpliFire ("SimpliFire"), extends the following warranty for electric fireplaces that were purchased from a SimpliFire authorized dealer.

### **WARRANTY COVERAGE:**

SimpliFire warrants to the original owner of the SimpliFire fireplace, and to any transferee taking ownership of the SimpliFire fireplace within 2 years following the date of original purchase, that the SimpliFire fireplace will be free from defects in materials and workmanship at the time of manufacture for a period of 2 years. If a SimpliFire fireplace is found to be defective in materials or workmanship during applicable warranty period, HHT will, at its option, repair or replace the SimpliFire fireplace. SimpliFire, at its own discretion, may fully discharge all of its obligations under such warranties by replacing the product itself or refunding the verified purchase price of the product itself. The maximum amount recoverable under this warranty is limited to the purchase price of the product. This warranty is subject to conditions, exclusions and limitations as described below.

### **WARRANTY PERIOD:**

Warranty coverage begins on the date of original purchase. In the case of new home construction, warranty coverage begins on the date of first occupancy of the dwelling or six months after the sale of the product by an independent, authorized SimpliFire dealer/ distributor, whichever occurs earlier. The warranty shall commence no later than 24 months following the date of product shipment from HHT, regardless of the installation or occupancy date.

### **WARRANTY CONDITIONS:**

This warranty only covers SimpliFire fireplaces that are purchased through a SimpliFire authorized dealer or distributor. A list of SimpliFire authorized dealers is available on the SimpliFire websites.

### **WARRANTY EXCLUSIONS:**

This warranty does not cover the following:

- Changes in surface finishes as a result of normal use. As a heating appliance, some changes in color of interior and exterior surface finishes may occur. This is not a flaw and is not covered under warranty.
- Damage to printed, plated, or enameled surfaces caused by fingerprints, accidents, misuse, scratches, melted items, or other external sources and residues left on the plated surfaces from the use of abrasive cleaners or polishes.
- Repair or replacement of parts that are subject to normal wear and tear during the warranty period. These parts include: paint, batteries and the discoloration of glass.
- Damages resulting from: (1) failure to install, operate, or maintain the appliance in accordance with the installation instructions, operating instructions, and listing agent identification label furnished with the appliance; (2) shipping or improper handling; (3) improper operation, abuse, misuse, continued operation with damaged, corroded or failed components, accident, or improperly/ incorrectly performed repairs; (4) environmental conditions (5) installation or use of components not supplied with the appliance or any other components not expressly authorized and approved by HHT; (6) modification of the appliance not expressly authorized and approved by HHT in writing; and/or (7) interruptions or fluctuations of electrical power supply to the appliance.
- Our obligation under this warranty does not extend to the SimpliFire fireplace's capability to heat the desired space.

### **This warranty is void if:**

- The fireplace is subject to or operated in atmospheres contaminated by chlorine, fluorine, or other damaging chemicals.
- The fireplace is subjected to or operated in places with prolonged periods of dampness or condensation or weather. Examples include but are not limited to outdoors, porches, and laundry rooms.
- There is any damage to the fireplace or other components due to water or weather damage.

### **LIMITATIONS OF LIABILITY:**

- The owner's exclusive remedy and SimpliFire's sole obligation under this warranty, under any other warranty, express or implied, or in contract, tort or otherwise, shall be limited to replacement, repair, or refund, as specified above. In no event will SimpliFire be liable for any incidental or consequential damages caused by defects in the appliance. Some states do not allow exclusions or limitation of incidental or consequential damages, so these limitations may not apply to you. This warranty gives you specific rights; you may also have other rights, which vary from state to state.  
EXCEPT TO THE EXTENT PROVIDED BY LAW, SIMPLIFIRE MAKES NO EXPRESS WARRANTIES OTHER THAN THE WARRANTY SPECIFIED HEREIN. THE DURATION OF ANY IMPLIED WARRANTY IS LIMITED TO DURATION OF THE EXPRESSED WARRANTY SPECIFIED ABOVE.

2040-645 4/20

# 2 GENERAL INFORMATION

## A. Appliance Certification

**MODELS:** SF-WMS38-BK

**LABORATORY:** CSA International

**TYPE:** Electric Air-Heaters Fixed and Location-Dedicated  
Electric Room Heaters

→ **STANDARD:** UL1278 (4<sup>th</sup> Edition) CSA C22.2 No 46-13

**NOTICE:** This installation must conform with local codes.

### NOT INTENDED FOR USE AS A PRIMARY HEAT SOURCE.

This appliance is tested and approved as either supplemental room heat or as a decorative appliance. It should not be factored as primary heat in residential heating calculations.

## B. California



**WARNING:** This product can expose you to Di-(2-ethyl hexyl) phthalate, which is known to the State of California to cause cancer and reproductive harm.

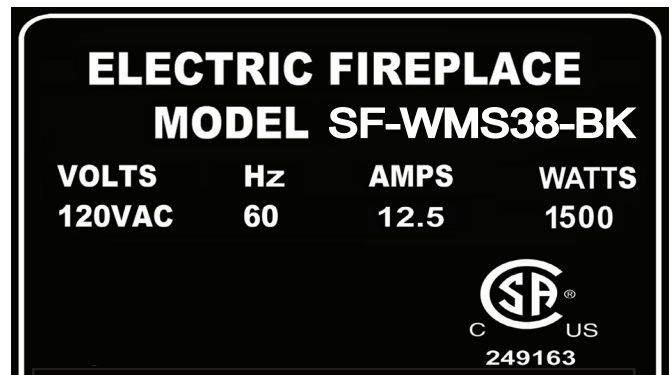
## C. Unpacking and Inspecting Appliance

**WARNING! Risk of Damage or Personal Injury! DO NOT use this Appliance if any part has been under water. Immediately call a qualified service technician to inspect and to replace any part of the electrical system if necessary. Keep plastic wrapping away from children.**

- Carefully remove the appliance and components from the packaging. Discard packaging.
- Carefully inspect components for any damage,
- Reference parts list to verify all parts have been received.
- Read all the instructions before starting the installation. Follow these instructions carefully during the installation to ensure maximum safety and benefit.

## D. Model and Serial Number Information

The model and serial number information is located on the rating plate. The rating plate is located on the left side of the top surface of the appliance.



### Homeowner Reference Information

*We recommend that you record the following pertinent information about your fireplace.*

Model Name: \_\_\_\_\_ Date purchased/installed: \_\_\_\_\_

Serial Number: \_\_\_\_\_ Location on fireplace: \_\_\_\_\_

Dealership purchased from: \_\_\_\_\_ Dealer Phone: \_\_\_\_\_

Notes: \_\_\_\_\_

\_\_\_\_\_

# 3 GETTING STARTED

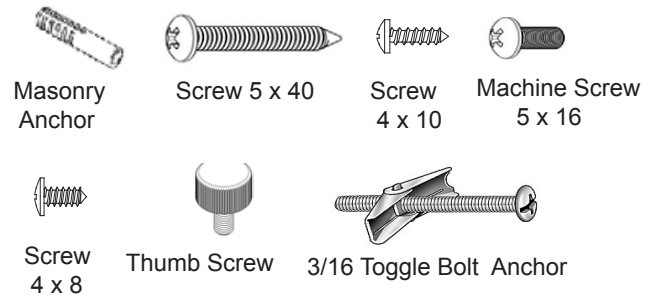
## A. Parts and Hardware

Parts and Hardware List	
Part	Quantity
Fire Box	1
Glass	1
Pedestal	1
Instruction Manual	1
Remote Control	1
AAA Battery	2
Wall Mounting Bracket (attached to unit)	1
Masonry Anchor	4
Screw ST5 x 40	4
Machine Screw M5x16 (attached to pedestal)	4
Screw ST4 x 10	2
Screw ST4 x 8	2
Thumb Screw (attached to unit)	2
Clear Faux Media	1
3/16 Toggle Bolt Anchors	4

## B. Tools and Supplies Needed

Before beginning the installation be sure that the following tools and building supplies are available.

- Tape measure
- Pliers
- Hammer
- Gloves
- Magnetic Phillips screwdriver
- Safety glasses
- Flat blade screwdriver
- Drill
- 5/16 Drill for 3/16 diameter toggle bolts (applicable if installing on drywall-sheathed walls)
- Masonry Drill 5/16 in. (applicable if installing on masonry walls)



## C. Appliance

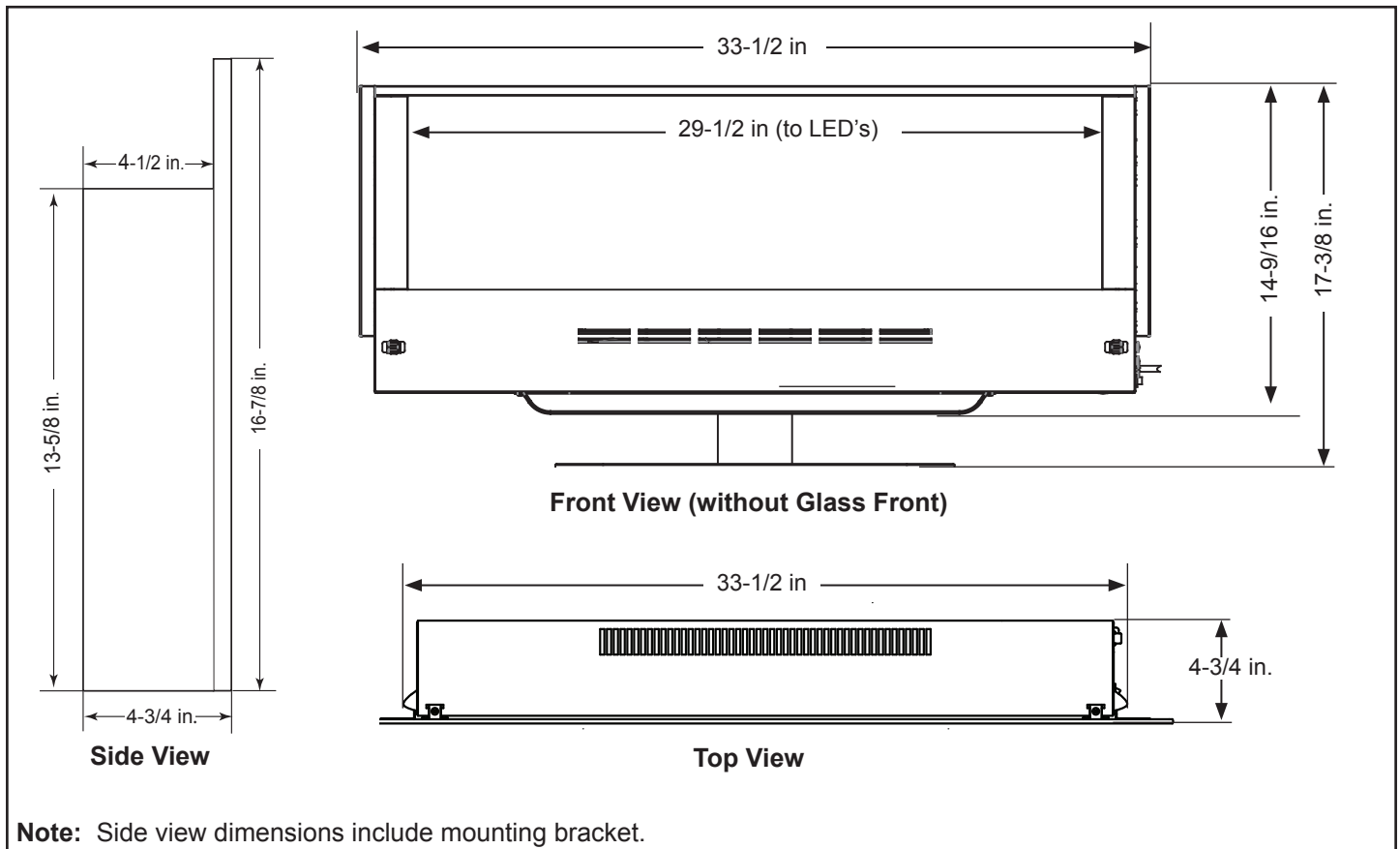


Figure 3.1 Appliance Dimensions

## D. Location

When choosing a location for your fireplace ensure that the general rules are followed:

- For best results, install out of direct sunlight.
- Power supply service must be installed within proximity of appliance prior to finishing to avoid reconstruction.
- See Figure 3.1 for appliance dimensions and to determine location of appliance installation.

## E. Clearance to Combustibles

### Minimum Clearance to Combustible Construction

#### Wall Mount (See Figure 3.2)

Sides.....	0 in.
Floor.....	0 in.
Top.....	0 in.
Back.....	0 in.
Front.....	36 in.

#### Stand

Sides.....	0 in.
Top.....	0 in.
Back.....	0 in.
Front.....	36 in.

**WARNING! Risk of Fire!** Keep electrical cords, drapery, furnishings or other combustibles at least 3 ft. (0.9 m) from the front of the appliance, and away from the sides or rear.

**Note:** One of the installation applications must be used.

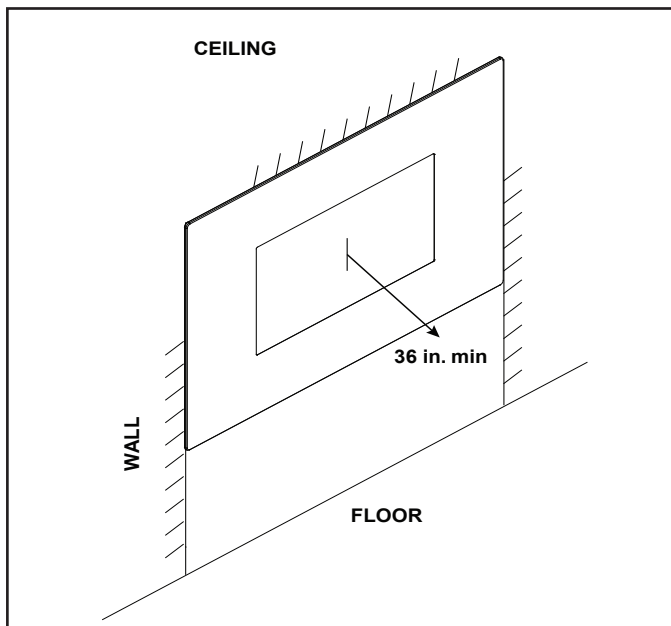


Figure 3.2 Wall Mount Clearance to Combustibles

## F. Electrical Supply Circuit Requirements

Plan the location of the appliance so that it will have adequate electric power. A 15 AMP, 120V/60hz. circuit is required. Additional appliances on the same circuit as this appliance may exceed the current rating of that circuit. A dedicated circuit is not required, but is preferred to prevent circuit breaker trips or fuse failure.

**Note:** Access to electrical outlet must be maintained.

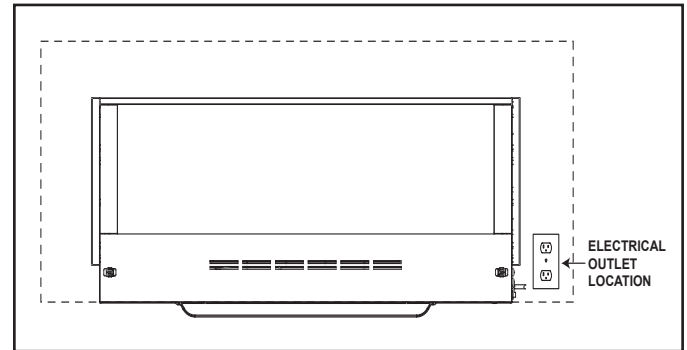


Figure 3.3 Electrical Outlet Location



# 4 INSTALLATION

**WARNING! Risk of Damage or Personal Injury!** Failure to install the fireplace as instructed below may result in damage to the equipment and or may expose the user to the risk of fire, serious injury, illness or death.

## A. Wall Mounting Bracket

The wall mounting bracket must be used to mount the appliance. This appliance must be mounted to a structural wall capable of bearing a 40 pound load.

- Remove bracket from back of unit.
- Determine the desired location of the appliance on the wall.
- Place the wall mounting bracket in the desired location.
- Ensure that the bracket is level.
- Mark four locations on the wall that correspond to the four required mounting points in the bracket. See Figure 4.1.

If installing on masonry wall, proceed to masonry wall installation instructions.

- Orientate the bracket so that its mounting hooks are on the bottom and the bracket tabs are on the top. See Figure 4.3 and 4.7.
- Fasten the bracket to the wall.

**Note:** The bracket installation method varies depending on the wall construction (See Section B).

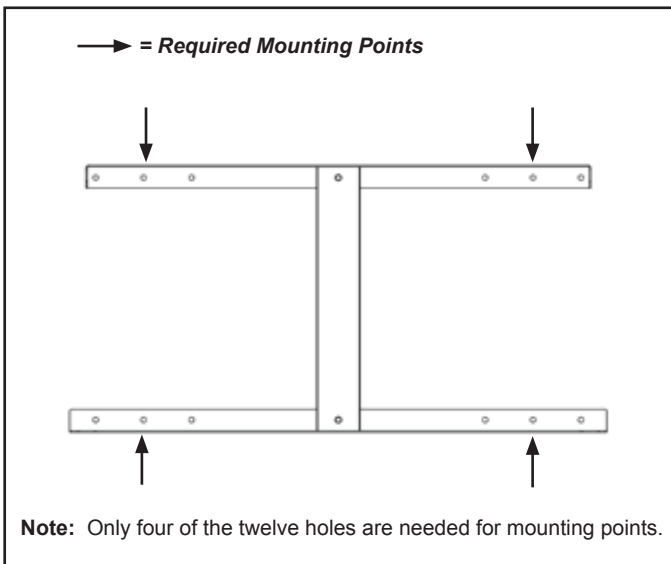


Figure 4.1 Mounting Bracket

## B. Installing Wall Mount Bracket

The wall mounting bracket can be installed on masonry walls such as those constructed of brick or concrete, or to framed walls constructed of wood or steel framing sheathed with gypsum drywall, wood, etc. The method used to mount the mounting bracket is different between masonry walls and framed walls. Refer to the following sections for more detail on the method applicable to this installation.

### Masonry Wall

- In the marked locations, drill four 5/16 in. diameter x 2 in. deep holes.
- Insert the provided wall anchors into the holes. Gently tap the anchors with a hammer until they are flush with the wall surface.
- Attach the bracket to the masonry anchors with four 5 x 40 screws. See Figure 4.2

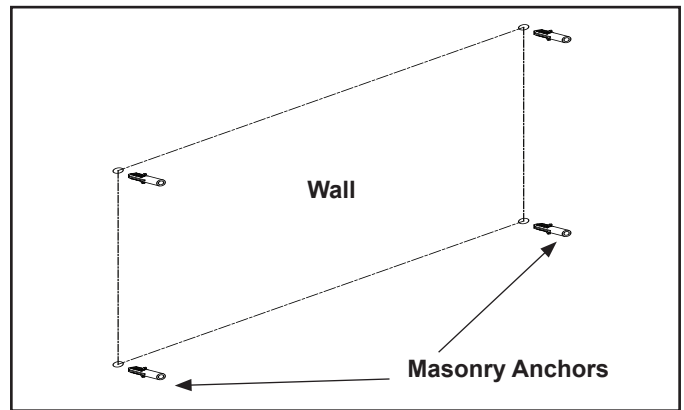


Figure 4.2 Masonry Anchor Placement

**WARNING! Risk of Damage or Personal Injury!** Do not use supplied masonry anchors on hollow walls, sheathed with wood, sheetrock, drywall or other materials.

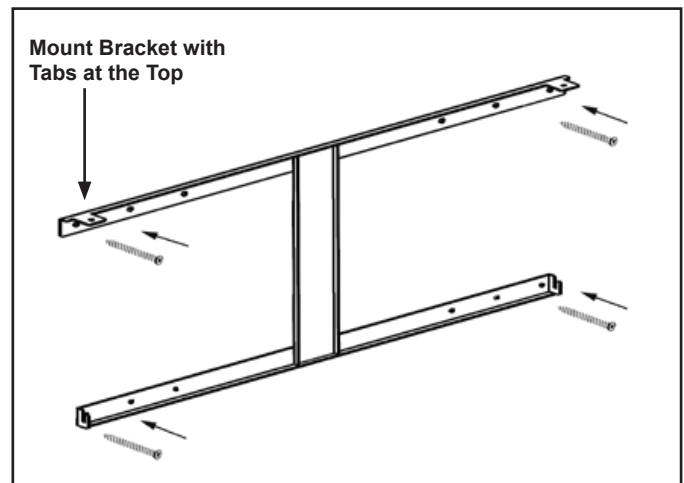


Figure 4.3 Bracket Attachment



## Framed Wall

- For each of the marked mounting point locations, determine which points align with a structural framing member.
- At the points where a wood or metal framing member exists, the 5 x 40 screw can be installed directly into that structural member. See Figure 4.3.
- Every mounting point that does not align with a structural framing member, a wall board toggle-bolt anchor must be used. See Figure 4.4.

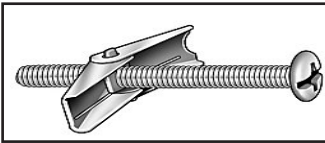


Figure 4.4 3/16 Toggle-Bolt Anchor

- Four 3/16 toggle-bolt anchors are provided to accommodate the four required mounting points. Use of toggle bolt anchors requires drywall thickness of minimum 1/2 in.
- Insert the bolt through the front side of the mounting bracket and thread the toggle onto it from the rear of the bracket. See Figure 4.5.
- Fold the toggle wings flush against the bolt and push them through a drilled hole until they expand open on the other side. See Figure 4.6.
- Pull back on the bolt and tighten. See Figure 4.4.

**Note:** This product cannot be installed on a wall sheathed with drywall less than 1/2 in. thick, unless all four mounting points in the mounting bracket align with structural framing members.

**WARNING! Risk of Damage or Personal Injury!** Allowable pull-out and shear strength are 25% of ultimate values or less, as required by building authorities.



Figure 4.5 Toggle Bolt Installation through Mounting Bracket



Figure 4.6 Installing Anchors in Hollow Wall

## C. Appliance Installation

- With the firebox at an angle, align the slots in the back of the firebox over the hooks on the bottom of the wall bracket. Pull the appliance down to ensure that the hooks are fully engaged. See Figure 4.7.A.
- Carefully press the top of the firebox against the wall mount bracket sliding the top edge over the wall mount bracket tabs. See Figure 4.7.B.
- Secure the appliance to the bracket with two thumb screws. See Figure 4.7.B.

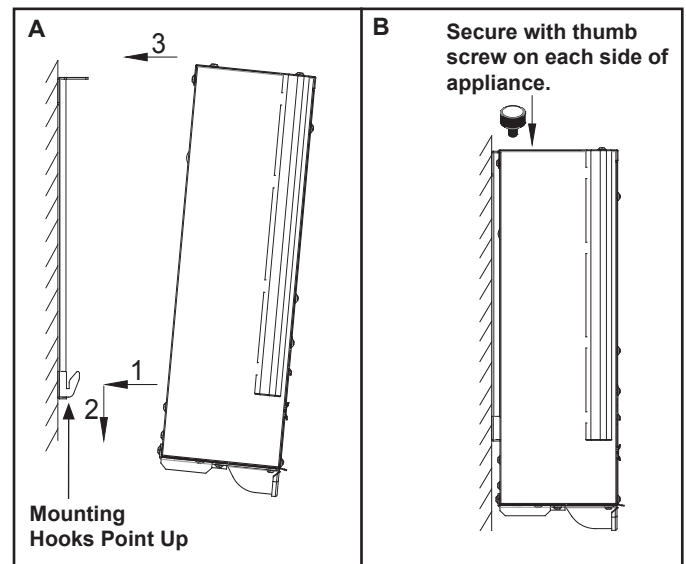


Figure 4.7 Attaching Fireplace to Bracket

## D. Free Standing Assembly

- Lay the firebox on its back.
- Align the location tabs and holes in the pedestal with the threaded inserts in the firebox. See Figures 4.8 & 4.9.
- Thread each of the four M5x16 machine screws located in the pedestal into the threaded inserts in the firebox.
- Check the pedestal for alignment and tighten the screws.

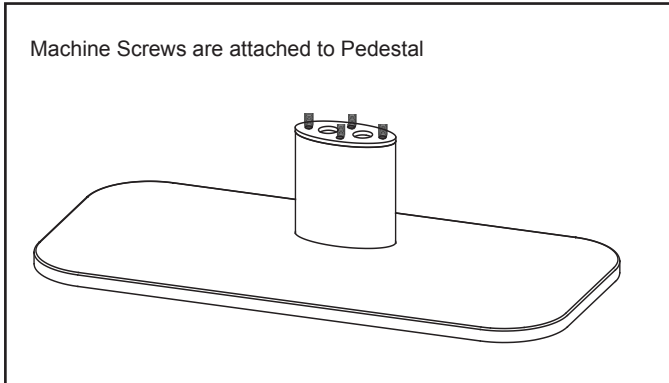


Figure 4.8 Pedestal Machine Screws

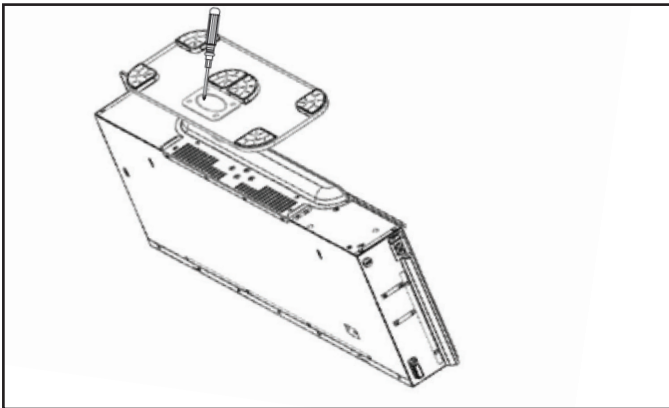


Figure 4.9 Attaching Pedestal to Firebox

## E. Faux Stone Installation

- Arrange the clear faux media along the inset window ledge at the front of the appliance.

**Note:** Extra media are provided and may be distributed based on consumer preference. Not all media need to be used.

## F. Glass Front Installation

- Install glass front by setting both hooks of the front glass panel into the slots at the top front edge of the firebox as shown in Figure 4.10.
- Install glass front so that the tabs on its back side engage the slots in the top of the appliance.
- Once both tabs engage, press firmly against the bottom face of the glass panel to engage the bottom connectors.
- Secure top glass to the firebox using two ST4 x 8 screws.

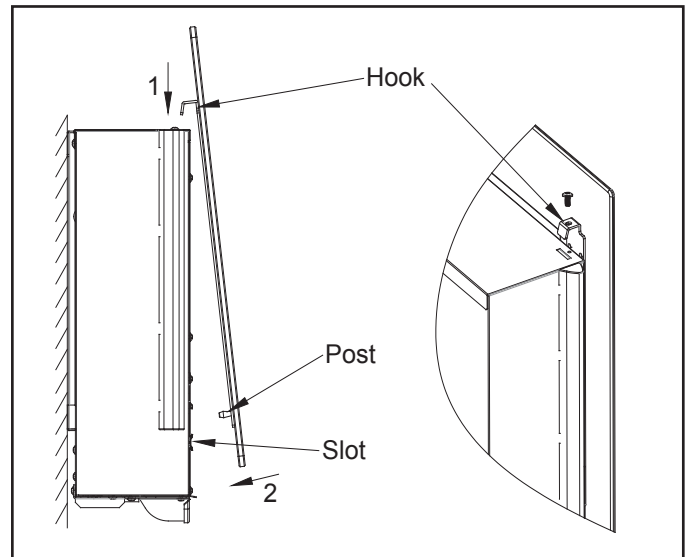


Figure 4.10 Attaching Front to Fireplace

- Align the mounting brackets located on the bottom of the glass with the pre-drilled holes on the firebox.
- Secure bottom glass to the firebox using two ST4 x 10 screws.

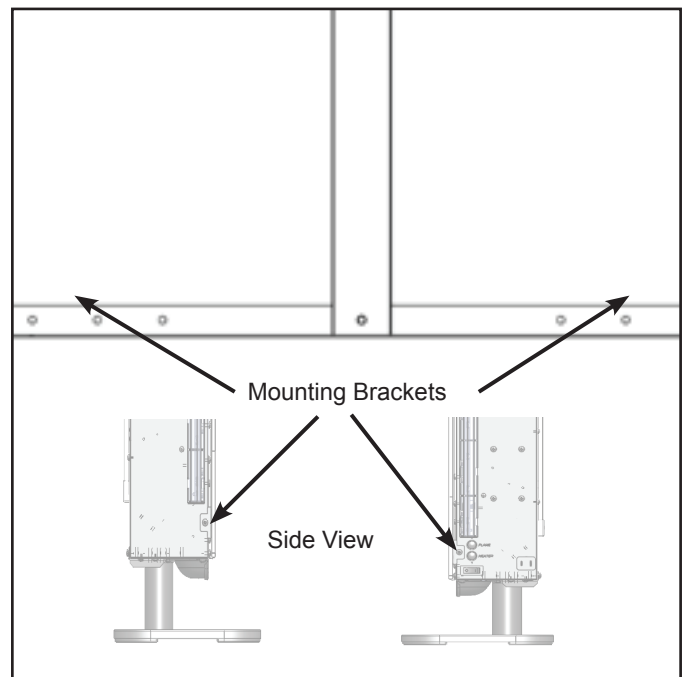


Figure 4.11 Securing Bottom Glass to Firebox

# 5 OPERATING INSTRUCTIONS

**CAUTION!** The unit's power cord must be connected to a properly grounded and protected 120V outlet. Always use ground fault protection where required by the electrical code.

**WARNING! Risk of Electric Shock!** Do not operate the unit if it is damaged or has malfunctioned. If you suspect the unit is damaged, call a qualified service technician to inspect and replace any part of the electrical system if necessary.

## A. Manual Switch Function:

The appliance can be operated by both remote control and manual button. Once the unit has been connected to a grounded electrical outlet, turn on the main power switch located on the right side of the appliance. A beep should be heard when the power is first applied. See Figure 5.1.

## Main Power Switch

The POWER switch supplies power to all functions of the appliance. This switch must be in the "ON" position for any of the functions including the remote.

**Note:** To use both remote and manual function, the main power switch must in "ON" position.

## Flame Button

By pressing the FLAME button, the unit will cycle through four flame effects.

## Heater Button

- Press the heater button once to turn 750W power on. Appliance will beep and illuminate 1 red LED.
- Press again turns 1500W power on. Appliance will beep and illuminate 2 red LEDs.
- Press third time turns heater off.

**Note:** A harmless slight brief odor may occur during first use or after prolonged period of storage.

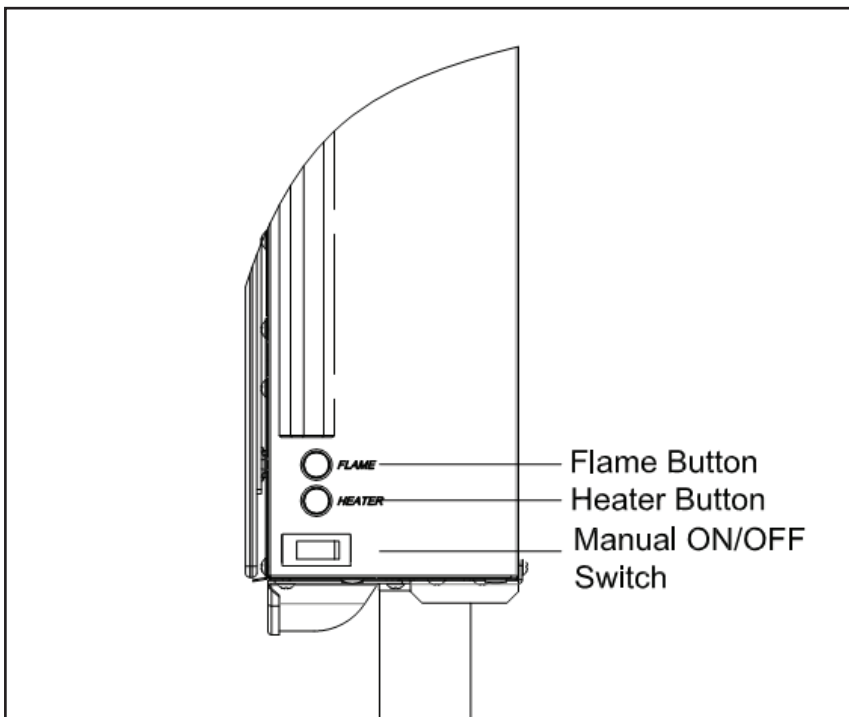


Figure 5.1 Manual Operating Switches

## B. Operating by Remote Control

- The fireplace Main Power Switch must be in the “ON” position for the remote control to function.
- Make sure batteries are properly installed in Remote Control.
  - Battery requirements 2-AAA battery (included).
- The effective range of the remote is up to 13 ft.
- The remote control must be within the 13 ft. range and also be pointed directly at the face of the appliance. For best results, position the remote control within 45 degrees of the face of the appliance




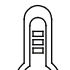


## C. Resetting Temperature Cutoff Switch

The heater is protected with a safety device to prevent overheating. Should the heater overheat, an automatic cutoff will turn the heater OFF. It will not turn ON automatically without being reset. If it overheats for any reason, it can be reset by:

1. Turn fireplace to off
2. Unplug unit and wait 5 minutes
3. Plug in and turn on.

**CAUTION:** If appliance overheats repeatedly, discontinue use and call customer / technical support.

**CAUTION:** If you need to continuously reset the heater, unplug the appliance and call customer / technical support.

ICON	TITLE	FUNCTION	REMOTE LCD DISPLAY	FIREPLACE RESPONSE
	POWER	The POWER button will turn the fireplace on. It will also put the fireplace in a standby mode. This will turn off all functions at once but will hold the settings in memory except Heater function. The unit will turn on at the same settings by pressing the power button again.	LCD illuminates and displays flame status icon and temperature set point.	Fireplace emits single audible beep to confirm command to transition to ON or STANDBY state
	FLAME	By pressing the FLAME button, the unit will cycle through four flame effects.	LCD illuminates and displays flame status icon.	Fireplace emits single audible beep to confirm command to transition between four FLAME states.
	HEATER	Press Heater button once 750W heater turns on. Press Heater button twice 1500W turns on, Press Heater button three times, turns off heater.	LCD illuminates and displays heater status icon.	Fireplace emits signal audible beep to confirm command to transition between HEATER states. Fireplace displays one red LED for 8 seconds to confirm low heater command. Fireplace displays two red LED for 8 seconds to confirm high heater command.
	THERMOSTAT	Pressing the Temperature button adjusts the heaters response to the ambient temperature conditions in the room. Temperature adjusts from 16 °C - 28 °C (61 °F - 82 °F). Power button must be on to set °C to °F. Hold for 3 seconds and the LCD display from °C to °F.	Remote displays the temperature. If in Stand-by mode, temperature displays but cannot be adjusted.	Fireplace emits single audible beep to confirm command to change desired temperature set point.
	TIMER	Pressing the Timer button sets the time desired for the fireplace to run. The Timer can be set from .5 hour up to 9 hours in 1 hour increments.	Remote will display the time setting selected. If in Stand-by mode time will display but cannot be adjusted.	Fireplace emits single audible beep to confirm command to transition between four FLAME states.
	LIGHT	Pressing the Light button changes the glass fascia backlight colors (14 colors available), and turns it on/off.	No indicator.	

# 6 MAINTENANCE

---

## A. Maintenance

**WARNING! Risk of Shock!** Always unplug the cord before moving or servicing. Do not immerse appliance in water.

- Always turn OFF the appliance and disconnect the cord from the electrical outlet before cleaning your appliance.
- Light accumulated dust may be removed from the appliance exterior with a soft cloth or vacuum cleaner.
- Wipe the exterior surfaces of the appliance occasionally with a microfiber cloth using a solution of mild detergent and water. Dry thoroughly before operating the appliance.

**CAUTION!** Do not allow water to run into the interior of the appliance as this could create a fire or electric shock. Always unplug the cord before moving or servicing.

- The fan motor is factory lubricated for life and will not require further lubrication.
- Store appliance in a clean dry place when not in use.

**WARNING! Risk of Fire!** To reduce risk of fire, do not store or use gasoline or any other flammable vapors or liquids in the vicinity of the appliance.

**WARNING! Risk of Electrical Shock!** Any other servicing needed must be performed by an authorized service representative. Do not attempt to service the unit yourself.

## B. Cleaning

### Cleaning Glass

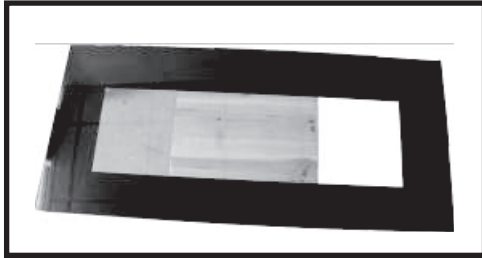
Dust particles can be removed by buffing lightly with a clean dry cloth. Fingerprints and other marks can be cleaned with a cloth dampened with a quality household glass cleaner. The glass should be completely dried with a lint free cloth or paper towel. Do not use abrasive cleaners on glass surface. Do not spray liquids directly onto any surface.

### Metal Surface

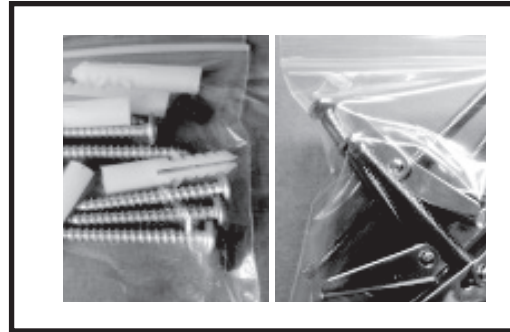
Dust particles can be removed by buffing lightly with a clean dry cloth. A damp cloth can be used to clean painted surfaces. Do not use abrasive cleaners. Do not spray liquids directly on to any surface.

## C. Servicing

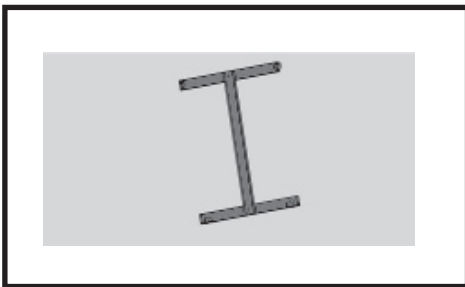
Except for installation, cleaning and service parts (listed on page 15) described in this manual, an authorized service representative should perform any other servicing.



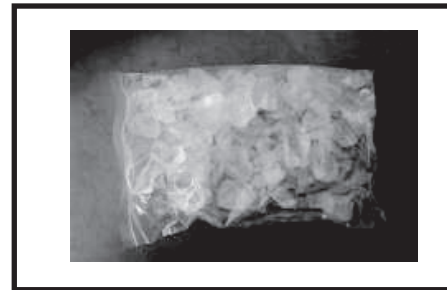
#1 Black Glass



#2 Hardware Bag



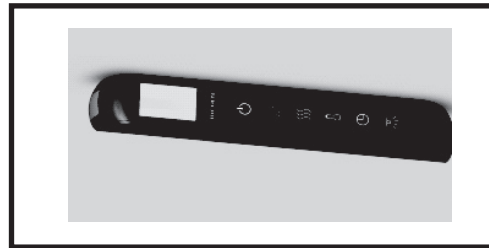
#3 Hanging Bracket



#4 Crystal Stones



#5 Base



#6 Remote

IMPORTANT: THIS IS DATED INFORMATION. Parts must be ordered from a dealer or distributor. **Hearth and Home Technologies does not sell directly to consumers.** Provide model number and serial number when requesting service parts from your dealer or distributor.



Stocked at Depot

ITEM	DESCRIPTION	COMMENTS	PART NUMBER	
1	Black Glass		GLA-WM38-BK	Y
2	Hardware Bag		HRDW-38WM	Y
3	Hanging Bracket		BRACKET-WM38	Y
4	38" Crystal Stone		ROCKS-WM38	Y
5	38" Base		BASE-38WM	Y
6	Remote		REMOTE-ELECT-WM	Y
	Flame Rod, 38"		ROD-WM38	
	Grey Screen, 38"		GS-WM38	
	Motor, 38"		MOT-WM38	
	Installation Manual		2040-911	