

CHANGING UP THE TRADITIONAL EXPERIENCE

NEW ALTITUDE™ X SERIES
THE FIRST OF THE NEW TRADITIONAL PLATFORM



napoleon.com

Altitude X™ Series

It's time for a new era of Traditional gas fireplaces. Based on extensive research, customer and consumer feedback, we are pleased to introduce the first two models in our new Traditional Platform with the ultimate goal of making Napoleon the easy choice to sell. The Altitude™ X series includes both a 36" and 42" fireplace with the line logic that you've been asking for. So not only will these fireplaces impress on display in your store but you can rest assured that guiding your customer through the generous offering of premium accessories will be a seamless process and help close the sale.



Competitive Advantages:

- Low enclosure height allows more flexible installation options
- A true 4" deep TV recess - frame with combustibles and still allow for 3/4 plywood backer for robust tv mount
- Electrical and a/v cables can pass through the enclosure
- Heat management option
- Adjustable finishing flange, allows for clean finish on various finishing material depths
- Zero clearance to the side of the fireplace, no non-combustible required
- Reducing 5/8 to 4/7 (reduces clearances)

Advanced Product Features

- Altitude™ X 36 (AX36) - 36,500 BTU's and Altitude™ X 42 (AX42) - 38,000 BTU's
- 5/8 top vent and ceramic glass
- 4 Ultra HD logsets coming: Driftwood and Oak available now
- Clean face design with full firebox flame
- Zen front in Black and Charcoal
- Premium Whitney and Denali fronts offer 3 accent colors - coming soon
- 4 Finishing trim colors: Black and Charcoal available now
- 6 Decorative brick kits: MIRRO-FLAME™ porcelain reflective radiant panels, Westminster™ Herringbone and Newport™ Standard available now
- Exclusive NIGHT LIGHT™ included
- Heat circulating blower included
- eFIRE Remote App - total control of your fireplace from your mobile device
- Remote control included

TO ALLOW QUICKER FUFILLMENT, THE ALTITUDE™ X SERIES ACCESSORIES WILL BE RELEASED IN 3 PHASES

Phase 1 - Available Now
Phase 2 - Available Summer
Phase 3 - Available Late Summer

Features / Options / Accessories



Ultra HD Oak Log Set - AX36 **Phase 1**



Ultra HD Driftwood Log Set - AX36 **Phase 1**



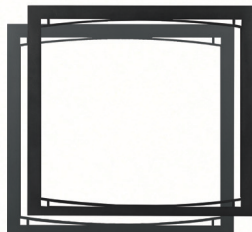
Ultra HD Oak Log Set - AX42 **Phase 1**



Ultra HD Driftwood Log Set - AX42 **Phase 1**



Finishing Trim
Black & Charcoal **Phase 1**



Zen Front **Phase 1**
Black, Charcoal



MIRRO-FLAME™
Porcelain Reflective
Radiant Panels
Phase 1



Newport™
Standard Decorative
Brick Panel
Phase 1



Westminster™
Herringbone Decorative
Brick Panel
Phase 1



Remote Control
Included



eFIRE Enabled With APP
Included



NIGHT LIGHT Included

Coming Soon...

Ultra HD Birch Log Set - AX36 **Phase 2**

Ultra HD Birch Log Set - AX42 **Phase 2**

Premium Whitney Front **Phase 2**
with arched iron accents in 3 colours

Finishing Trim **Phase 2**
Gunmetal & Copper

Ultra HD Maple Log Set - AX36 **Phase 3**

Ultra HD Maple Log Set - AX42 **Phase 3**

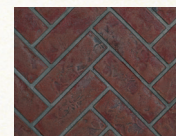
Premium Denali Front **Phase 3**
with straight iron accents in 3 colours



Westminster™
Standard Decorative
Brick Panel
Phase 2



Old Town Red™
Standard Decorative
Brick Panel
Phase 2



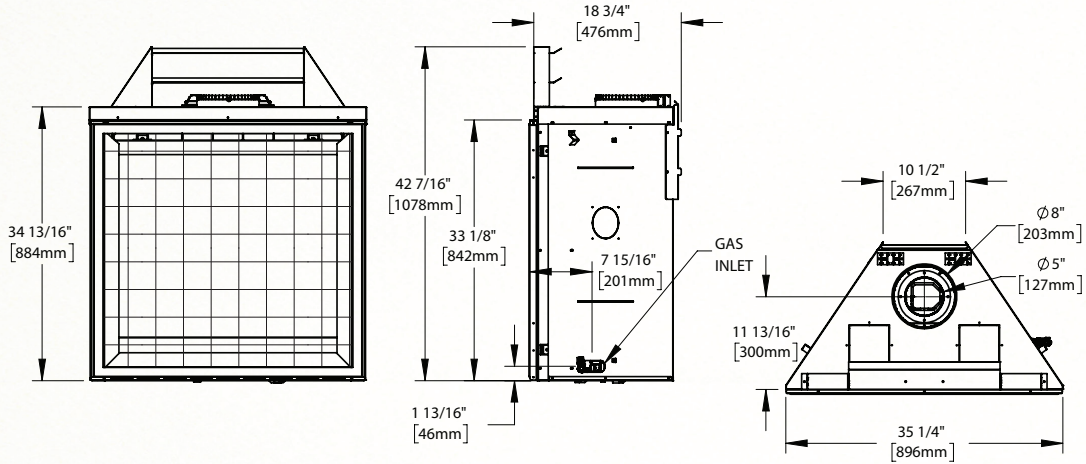
Old Town Red™
Herringbone Decorative
Brick Panel
Phase 3

Specifications

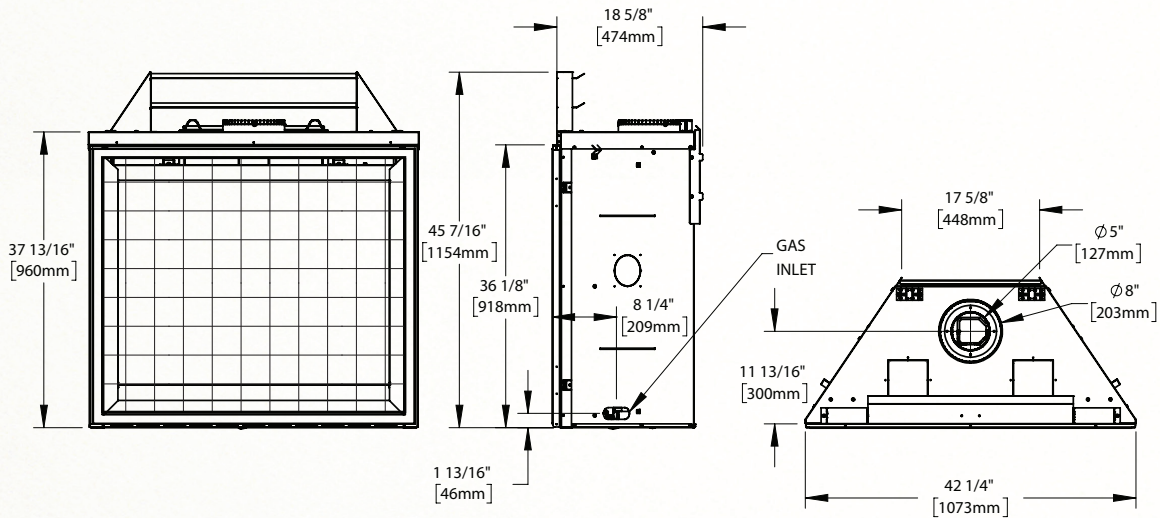
Product Name	Model	BTU'S (Input)	Top Vent	Height		Front Width		Depth		Glass Type	Glass Viewing Area		Firebox Viewing Area		Efficiency	Blower
				Actual	Framing	Actual	Framing	Actual	Framing		Height	Width	Height	Width		
Altitude` X 36	AX36	36,500	5" x 8"	42 7/16"	42 5/8"	35 1/4"	35 3/4"	18 3/4"	19"	Ceramic	23 1/4"	28"	33 1/8"	35 1/4"	41.8%	included
Altitude` X 42	AX42	38,000	5" x 8"	45 7/16"	45 5/8"	42 1/4"	42 3/4"	18 5/8"	19"	Ceramic	26 1/4"	35"	36 1/8"	42 1/2"	48.3%	included

Certified under Canadian and American National Standards

Figures may vary with individual conditions such as floor plan layout, insulation value/heat loss of the house and geographical location.



AX36



AX42

Authorized Dealer



24 Napoleon Road, Barrie, Ontario, Canada L4M 0G8
 103 Miller Drive, Crittenden, Kentucky, USA 41030
 7200 Trans Canada Highway, Montreal, Quebec, Canada H4T 1A3

Tel: 1-866-820-8686
 napoleon.com



Consult your owner's manual for complete installation instructions and proper clearances to combustible materials. Check all local and national building codes and gas regulations. All specifications are subject to change without prior notice due to on-going product improvements. Products may not be exactly as shown. Napoleon is a registered trademark of Wolf Steel Group Inc. Certified to ANSI Z21.97-2012 / CSA 2.41-2012, OUTDOOR DECORATIVE GAS APPLIANCE STANDARD