



# Owner's Operation and Installation Manual

**INSTALLER:** Leave this manual with the appliance.  
**CONSUMER:** Retain this manual for future reference.



**MVF40** certified as a Universal Firebox ANSI Z21.91-2007  
Listed Certified for USA

## **UNVENTED (VENT-FREE) MULTI-SIDED FIREBOX**

**Enclosure For Gas-Fired Decorative Type Unvented Room Heaters**

Vent Free: GLMVF40MVN, GLMVF40MVP

MVFBL4040MVN, MVFBL4040MVP, MVFBR4040MVN, MVFBR4040MVP

**Vent-free:** Certified to USA standards: ANSI Z21.11.2 - 2007

### **Warning**

Carefully review the instructions supplied with the decorative type unvented log set room heater for the minimum size requirement.

**DO NOT INSTALL THE APPLIANCE IN THIS FIREBOX UNLESS THIS FIREBOX MEETS THE MINIMUM DIMENSIONS REQUIRED FOR THE INSTALLATION**

This appliance must be installed by a licensed plumber or gas fitter in the Commonwealth of Massachusetts and meet the requirements of 527 CMR 30 and 248 CMR.

### **Warning**

**FOR USE ONLY WITH  
A LISTED GAS-FIRED UNVENTED  
DECORATIVE ROOM HEATER  
NOT TO EXCEED  
40,000 BTU/H.**

**DO NOT BUILD A WOOD FIRE**

### **Warning**

**If the information in this manual is not followed exactly, a fire or explosion may result causing property damage, personal injury, or loss of life.**

- Do not store or use gasoline or other flammable vapors and liquids in the vicinity of this or any other appliance.
- **WHAT TO DO IF YOU SMELL GAS**
  - Do not try to light any appliance.
  - Do not touch any electrical switch; do not use any phone in your building.
  - Immediately call your gas supplier from a neighbor's phone. Follow the gas supplier's instructions.
  - If you cannot reach your gas supplier, call the fire department.
- Installation and service must be performed by a qualified installer, service agency, or the gas supplier.

### **Warning**

Improper installation, adjustment, alteration, service, or maintenance can cause injury or property damage. Refer to this manual for correct installation and operational procedures. For assistance or additional information consult a qualified installer, service agency, or the gas supplier.

### **Warning**

This is an unvented gas-fired heater. It uses air (oxygen) from the room in which it is installed. Provisions for adequate combustion and ventilation air must be provided. Refer to section



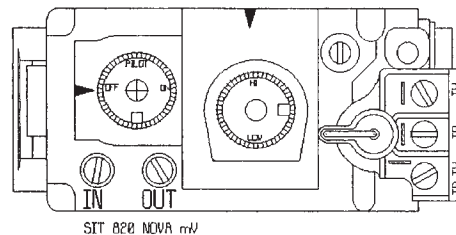
# WARNING:

PLEASE VERIFY THE FOLLOWING STEPS ARE TAKEN WHEN INSTALLING A VENT FREE BURNER SYSTEM.

**STEP 1:** WHEN INSTALLING BURNER SYSTEMS, VERIFY THAT THE SERIAL NUMBER PLATE AND YELLOW BURNER INSPECTION TAG (LOCATED NEAR VALVE) ARE THE SAME TYPE OF GAS. SHOULD THE GAS TYPE NOT BE SAME, RETURN THE BURNER SYSTEM TO WHOM YOU PURCHASED IT FROM, AND ASK FOR A REPLACEMENT.

**STEP 2:** VERIFY THE WATER COLUMN PRESSURE (IN/OUT). (IF YOU DON'T KNOW HOW TO CHECK WATER COLUMN PRESSURE YOU SHOULD NOT BE INSTALLING THIS PRODUCT, CONTACT A LICENSED GAS FITTER.) THE OUTLET PRESSURE IS REQUIRED NOT TO EXCEED THE FACTORY SETTINGS. ADJUST PROPANE AT THE REGULATOR IF PRESSURES EXCEED THOSE RECOMMENDED, IF THE NATURAL GAS PRESSURE IS ABOVE 3 1/2" CONTACT THE FACTORY OR SALES REPRESENTATIVE WITH YOUR READING BEFORE YOU USE THE BURNER SYSTEM.

<u>TYPE OF GAS</u>	<u>INLET</u>	<u>OUTLET</u>
PROPANE	11"	10"
NATURAL GAS	5 1/2 - 7"	3 1/2"



**STEP 3:** THE POSITIONING OF THE LOGS IS CRITICAL FOR SAFE AND CLEAN OPERATION OF THIS HEATER. SOOTING AND OTHER PROBLEMS CAN OCCUR IF THE LOGS ARE NOT PROPERLY AND FIRMLY POSITIONED AS INSTRUCTED IN MANUAL. DO NOT ATTEMPT TO INSTALL LOGS IF THEY ARE DAMAGED OR BROKEN.

**FAILURE TO FOLLOW AND COMPLY WITH THESE STEPS CAN CAUSE SOOTING AND KINGSMAN FIREPLACES WILL NOT BE RESPONSIBLE FOR ANY INCIDENTAL, CONSEQUENTIAL OR SPECIAL DAMAGES OR EXPENSES IN CONNECTION WITH ANY USE OR FAILURE OF THE VENT FREE BURNER SYSTEM.**

**READ OWNERS MANUAL CAREFULLY AND COMPLETELY BEFORE TRYING TO ASSEMBLE OPERATE, OR SERVICE THIS APPLIANCE.**

## PRE-INSTALLATION QUESTIONS and ANSWERS

### Why does my fireplace or stove give off odour?

It is normal for your fireplace to give off some odour. This is due to the curing of the paint, adhesives, silicones and any undetected oil from the manufacturing process as well as the finishing materials used with the installations (e.g. marble, tile and the adhesives used to adhere this product to the walls can react with heat and cause odours).

It is recommended that you burn your gas fireplace or stove for a minimum of four hours at a time with the fan off after the curing of the paint has been completed. These odours can last upward to 40 hours of burn time, keep burning at a minimum of four hours per use until odours dissipate.

### About curing of the paint

Your stove or fireplace has been painted with the highest quality silicone stove paint. This paint dries quickly in 15-20 minutes when first applied at the factory. However, due to the high temperature silicone components, the paint will cure when heat is applied to the appliance as it is first used.

The following information **applies to the curing process** to get the paint fully hard and durable.

Fire the appliance four successive times for 10 minutes each firing and a 5 minute cool down between each. Be aware during log and firebox paint curing that a white deposit may be developing on the inside of the glass doors. It is important to remove this white deposit from the glass doors with an appropriate cleaner to prevent build-up (such as Windex or a commercial fireplace glass cleaner).

- Babies, small children, pregnant women and pets should leave the area during the cure phase.
- Ventilate well, open doors and windows.
- Do not touch during curing.

### Noise coming from the fireplace?

- Noise caused by metal expanding and contracting as it heats up and cools down, similar to the sound produced by a furnace or heating duct. This noise does not affect the operation or longevity of your fireplace.
- Different types and thicknesses of steel will expand and contract at different rates resulting in “cracking” and “ticking” sounds throughout the heating and cooling periods.
- You should also be aware that as temperatures change within the unit these sounds will likely re-occur. Again this is normal for steel fireboxes, and is not a defect.

### Cleaning the Glass

During the first few fires, a white film may develop on the glass front, as part of the curing process. The glass should be cleaned after the unit has cooled down or the film can bake on and become very difficult to remove. Use a non-abrasive cleaner and do not attempt to clean the glass while it is hot.

# TABLE OF CONTENTS

SECTION	PAGE
Burner System Options .....	5
Safety Information .....	6
Local Codes .....	7
For Your Safety Read Before Lighting .....	7
Framing Specifications .....	8
Framing Parts .....	9-10
Dimensions .....	11
Installing .....	12
Installation Clearances .....	13
Installing by Framing Fireplace .....	14
Peninsula Framing .....	16
See-Through Framing .....	17
Bay Peninsula Framing .....	18
Corner Framing .....	19
Universal Firebox .....	20
Air for Combustion and Ventilation .....	21
Providing Adequate Ventilation .....	21
Determining Air Flow for Firebox Location .....	21
Ventilation Air from Inside Building .....	23
Ventilation Air from Outdoors .....	24
Installing Gas Line .....	25
Installing MVFB 4040 Burner System .....	26
Cleaning and Servicing of Burner /ODS Pilot .....	26
Installing MVFB4040 Burner System & LOGF38 .....	27
LOGF38 Log Placement for MVFB4040 Burner System .....	28-29
Installing GLMVF40 Burner System .....	30
LOGC31 Log Placement for GLMVF40 Burner Grate .....	31-32
Millivolt System, Lighting Instructions & Burner Control .....	33
Installing Fan Kit, Screen Door, Shield + Hood .....	34-35
Illustrated Parts List .....	36-38
Accessory and Parts List .....	39-40
Troubleshooting .....	41-42
Warranty .....	43

# BURNER SYSTEM OPTIONS

See chart below for required burner system:

**This appliance is equipped for (Natural or Propane) Gas.  
Field conversion is not permitted.**

**TABLE 1 - The MVF40 is also approved as a Universal Vent Free Box. See page 20 for more information.**

**MVF40 Vent Free Firebox Required burner system: (Select from below to complete the fireplace)**

<b>OPTION 1</b>							
<b>GLMVF40 Log Grate Burner System - controls are accessed from firebox on raised grate. Pull screen are recommended.</b>							
Burner Model	Valve Type	Fuel Type	BTU – Input	Min/Max Inlet	Manifold Pressure	Orifice Size	Primary Air
GLMVF40MVN	Millivolt	Natural Gas	29,900-38,225	5.5/10”	1.6-3.5”	32	1/8” Open
GLMVF40MVP	Millivolt	Liquid Propane	24,200-30,500	11/13”	6.3-10”	49	1/2” Open
<b>LOGC31            Log Set 7 Piece required for GLMVF40 Burner Systems.</b>							

<b>OPTION 2</b>							
<b>MVFBL/R 40 Burner Systems - control are hidden and accessed through bottom grill.</b>							
Burner Model	Valve Type	Fuel Type	BTU – Input	Min/Max Inlet	Manifold Pressure	Orifice Size	Primary Air
<b>Left Hand Burner</b>							
MVFBL4040MVN	Millivolt	Natural Gas	26,000-38,000	5.5/10”	1.6-3.5”	32	0.25
MVFBL4040MVP	Millivolt	Liquid Propane	26,000-34,000	11/13”	6.3-10”	50	Full Open
<b>Right Hand Burner</b>							
MVFBR4040MVN	Millivolt	Natural Gas	26,000-38,000	5.5/10”	1.6-3.5”	32	0.25
MVFBR4040MVP	Millivolt	Liquid Propane	26,000-34,000	11/13”	6.3-10”	50	Full Open
<b>LOGF38            Log Set Fibre Five Piece - Required for MVFBL/R 4040 Burner Systems</b>							

# SAFETY INFORMATION WARNINGS

## WARNINGS

**Important:** Read this owner's manual carefully and completely before trying to assemble, operate, or service this firebox. Improper use of this firebox can cause serious injury or death from burns, fire, explosion, electrical shock, and carbon monoxide poisoning.

Early signs of carbon monoxide poisoning resemble the flu, with headaches, dizziness, and / or nausea. If you have these signs, the heater may not be working properly. **Get fresh air at once! Turn off gas appliance. Have appliance serviced.** Some people (such as pregnant women, persons with heart or lung disease, persons with anemia and those at high altitudes) are more affected by carbon monoxide than others. Make certain you read and understand all warnings.

**This appliance is equipped for  
(Natural or Propane) Gas.  
Field conversion is not permitted.**

**Warning:** Failure to position parts in accordance with these diagrams or failure to use only part specifically approved with this heater may result in property damages or personal injury.

1. Use correct gas type for your appliance. Do not convert from one gas type to another.
2. If this appliance is for use with Propane gas, do not place propane supply tank(s) inside any structure. Locate propane supply tank(s) outdoors.
3. If you smell gas:
  - Shut off gas supply.
  - Do not try to light any appliance.
  - Do not touch any electrical switch; do not use any phone in your building.
  - Immediately call your gas supplier from a neighbor's phone. Follow the gas supplier's instructions.
  - If you cannot reach your gas supplier, call the fire department.
4. Do not use this appliance for burning trash or cooking. Never place matches, paper, garbage, or any other material on top of logs or logs into flame.
5. **Warning:** Always operate appliance with **front fireplace screens closed.**
6. Make sure any safety screen or guard removed for servicing is in place before running appliance.
7. Never run appliance in a small, closed room. Open the door into next room to help ventilate.

## DANGER

**CARBON MONOXIDE POISONING  
MAY LEAD TO DEATH!**

**NOTE:** It is recommended that a Carbon Monoxide (CO) Detector be installed in or near bedrooms and on all levels of your home. Place a detector about 15 feet (4.5 meters) outside the room that houses your gas appliance.

8. If appliance shuts off, do not relight until you provide fresh outside air. If appliance keeps shutting off, have it serviced.
9. Do not run appliance:
  - where flammable liquids or vapors are used or stored.
  - under dusty conditions.
10. Surface of appliance becomes very hot when operating. Keep children and adults away from hot surface. Appliance will remain hot for some time after shutdown. Allow surface to cool before touching.
11. Do not use this appliance if any part has been submerged under water. Immediately call a qualified technician to inspect the appliance and to replace any part of the control system and gas control which has been under water.
12. The installation must conform with local codes or, in the absence of local codes, with the National Fuel Gas Code, ANSI Z223.1.
13. Never install the appliance:
  - in a bedroom, bathroom, mobile home, or recreational vehicle.
  - where curtains, furniture, clothing, or other flammable objects are less than forty-two inches (42") from the front of the appliance.
  - in high traffic areas.
  - in windy or drafty areas.
14. Disconnect the appliance and its individual shut off valve from the gas supply piping system during any pressure testing of that system at test pressures in excess of 1/2 psig, (3.5kPa).
15. Isolate the appliance from the gas supply piping system by closing its individual manual shut off valve during any pressure testing of the the gas supply piping system at test pressure equal or less than 1/2 psig.(3.5kPa).
16. Do not use any type of after-market blower that fits inside the fireplace. Drafts created by these type of blowers may cause sooting.
17. Turn off appliance and let cool before servicing. Only a qualified service person should install, service and repair appliance

18. Inspect the appliance before use and at least annually by a professional service person. Frequent cleaning may be required due to excessive lint from carpeting, bedding material, etc. It is important that control compartment, burner and circulating air passage of the appliance be kept open.
19. When operated for the first time, there will be some smell from the appliance. This will diminish and disappear after a few hours of operation.
20. **Warning:** Do not allow fans to blow directly into the fireplace. Avoid any drafts that alter flame patterns.
21. **Warning:** Do not use a blower insert, heat exchanger insert or other accessory not approved for use with this heater.
22. The firebox canopy must not be replaced with a canopy which may be provided with the decorative type UNVENTED room heater.
23. **Warning:** Do not operate ceiling fans in same room as the vent free appliance.
24. Due to high temperatures, the appliance should be located out of traffic and away from furniture and draperies.
25. Children and adults should be alerted to the hazard of high surface temperature and should stay away to avoid burns or clothing ignition.
26. Young children should be carefully supervised when they are in the same room with the appliance.
27. Do not place clothing or other flammable material on or near the appliance.
28. Any safety screen or guard removed for servicing an appliance must be replaced prior to operating the heater (see 1.2.3).
29. Installation and repair should be done by a qualified service person. The appliance should be inspected before use and at least annually by a professional service person. More frequent cleaning may be required due to excessive lint form carpeting, bedding material, etc. It is imperative that control compartments, burners and circulating air passageways of the appliance be kept clean.
30. **Warning:** Any change to this heater or its controls can be dangerous.”
31. Must be installed by a licensed gasfitter in the Commonwealth of Massachusetts. Complies to code 527 CMR
32. Unvented gas fired appliances may be used only for supplemental heat and/or decorative purposes and under no circumstances shall they provide a primary heat source.
33. **Warning:** Failure to keep the primary air opening(s) of the burner(s) clean may result in sooting and property damage.


## LOCAL CODES

Install and use fireplace with care. Follow all local codes. In the absence of local codes, use the latest edition of The National Fuel Gas Code ANSI Z223.1, also known as NFPA 54\*. Firebox must be electrically grounded in accordance with the National Electrical Code, ANSI/NFPA 70 (latest edition).

\*Available from:

American National Standards Institute, Inc.  
1430 Broadway  
New York, NY 10018

National Fire Protection Association, Inc.  
Batterymarch Park  
Quincy, MA 02260

 <b style="font-size: 1.2em; margin-left: 10px;">WARNING</b>
<p>If you do not follow these instructions exactly, a fire or explosion may result causing property damage, personal injury or loss of life.</p>

## FOR YOUR SAFETY READ BEFORE LIGHTING

- A. This appliance has a pilot which must be lighted by hand. When lighting the pilot, follow these instructions exactly.
- B. **Before lighting**, smell all around the appliance area for gas. Be sure to smell next to the floor because some gas is heavier than air and will settle on the floor.

### What to do if you smell gas

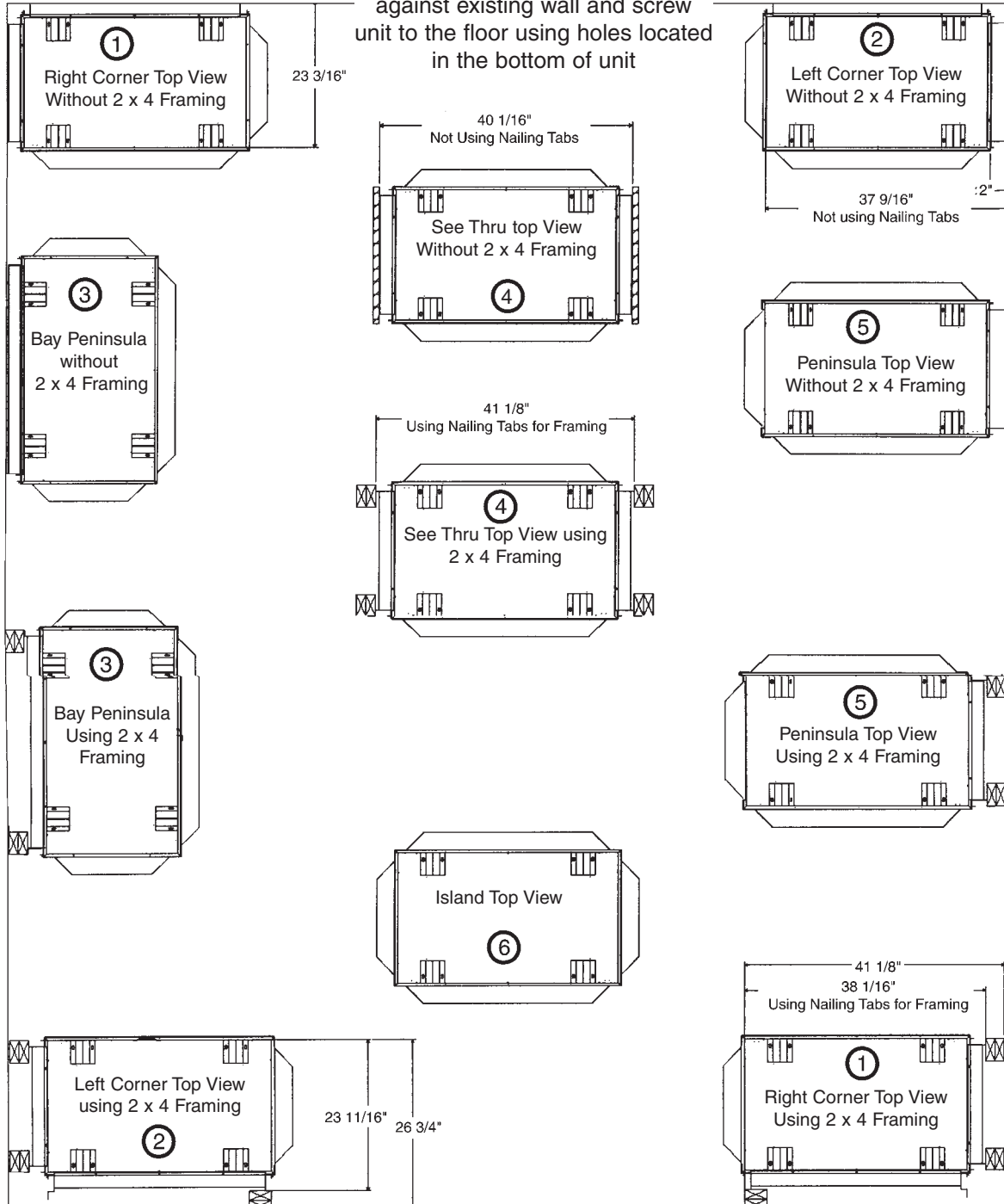
- Do not try to light any appliance.
  - Do not touch any electric switch; do not use any phone in your building.
  - Immediately call your gas supplier from a neighbor’s phone. Follow the gas supplier’s instructions.
  - If you cannot reach your gas supplier, call the fire department.
- C. Use only your hand to push in or turn the gas control knob. Never use tools. If the knob will not push in or turn by hand, don’t try to repair it, call a qualified service technician or gas supplier. Force or attempted repair may result in a fire or explosion.
  - D. Do not use this appliance if any part has been under water. Immediately call a qualified service technician to inspect the appliance and to replace any part of the control system and any gas control which has been under water.

# FRAMING SPECIFICATIONS

See **Page 9** for required parts for installation.

## PLACEMENT AND FRAMING

Note: When not using nailing tabs you may place Heatshield directly against existing wall and screw unit to the floor using holes located in the bottom of unit



### Framing Clearances to Fireplace:

Bottom – 0 / Sides – 0 to standoffs / Top – 0 to standoffs / Adjacent side wall – 2" / Front of fireplace to ceiling – 41".

FIGURE 1



# FRAMING PARTS

## REQUIRED PARTS FOR INSTALLATIONS OF MULTI-SIDED FIREPLACE

MVF40 Multi-Sided Vent Free Firebox

**This appliance is equipped for (Natural or Propane) Gas.  
Field conversion is not permitted.**

Choose Your installation (as shown on **Page 8**, and see below for required parts.)

### 1. RIGHT CORNER INSTALLATION

MVF40CK Corner Kit - One Large Side Open, One Small Side Open

**Choose Natural Gas or Liquid Propane Burner:**

#### BURNER SYSTEM & LOG SET (REQUIRED FOR MVF40 FIREBOX)

##### OPTION 1

GLMVF40MVN Vent Free Multiview Burner System – Millivolt Valve 38,000 BTU/HR Natural Gas

GLMVF40MVP Vent Free Multiview Burner System – Millivolt Valve 35,000 BTU/HR Liquid Propane

LOGC31 Log Set LOGC31 required for GLMVF40 Burner System

##### OPTION 2

MVFB4040MVN Vent Free Right Burner System – Millivolt Valve 25,900/38,225 Natural Gas

MVFB4040MVP Vent Free Right Burner System – Millivolt Valve 24,200/30,500 Liquid Propane

LOGF38 Log Set required for MVFB40 R/L Burner System

**Choose Grill Kits or Panel Kits:**

MGCKBP Grill Kit Corner - Classic Polish Brass (Two Sets)  
MGCKBA Grill Kit Corner - Classic Antique Brass (Two Sets)  
MGCKBC Grill Kit Corner - Classic Chrome (Two Sets)  
MGCKBL Grill Kit Corner - Black (Two Sets)  
MGCKPB Grill Kit Corner - Polish Brass (Two Sets)  
MGCKAB Grill Kit Corner - Antique Brass (Two Sets)  
MGCKCR Grill Kit Corner - Chrome (Two Sets)  
MVF40PCK Panel Kit for Corner Kit - Black (Two Sets)

### 2. LEFT CORNER INSTALLATION

MVF40CK Corner Kit - One Large Side Open, One Small Side Open

**Choose Natural Gas or Liquid Propane Burner:**

#### BURNER SYSTEM & LOG SET (REQUIRED FOR MVF40 FIREBOX)

##### OPTION 1

GLMVF40MVN Vent Free Multiview Burner System – Millivolt Valve 38,000 BTU/HR Natural Gas

GLMVF40MVP Vent Free Multiview Burner System – Millivolt Valve 35,000 BTU/HR Liquid Propane

LOGC31 Log Set LOGC31 required for GLMVF40 Burner System

##### OPTION 2

MVFB4040MVN Vent Free Left Burner System – Millivolt Valve 38,000 BTU/HR Natural Gas

MVFB4040MVP Vent Free Left Burner System – Millivolt Valve 35,000 BTU/HR Liquid Propane

LOGF38 Log Set required for MVFB40 R/L Burner System

**Choose Grill Kits or Panel Kits:**

MGCKBP Grill Kit Corner - Classic Polish Brass (Two Sets)  
MGCKBA Grill Kit Corner - Classic Antique Brass (Two Sets)  
MGCKBC Grill Kit Corner - Classic Chrome (Two Sets)  
MGCKBL Grill Kit Corner - Black (Two Sets)  
MGCKPB Grill Kit Corner - Polish Brass (Two Sets)  
MGCKAB Grill Kit Corner - Antique Brass (Two Sets)  
MGCKCR Grill Kit Corner - Chrome (Two Sets)  
MVF40PCK Panel Kit for Corner Kit - Black (Two Sets)

# FRAMING PARTS (continued)

### 3. BAY PENINSULA INSTALLATION

MVF40BK Bay Peninsula Kit - One Large Side Open, Two Small Sides Open

**Choose Natural Gas or Liquid Propane Burner:**

<b>BURNER SYSTEM &amp; LOG SET (REQUIRED FOR MVF40 FIREBOX)</b>	
<b>OPTION 1</b>	
GLMVF40MVN	Vent Free Multiview Burner System – Millivolt Valve 38,000 BTU/HR Natural Gas
GLMVF40MVP	Vent Free Multiview Burner System – Millivolt Valve 35,000 BTU/HR Liquid Propane
LOGC31	Log Set LOGC31 required for GLMVF40 Burner System
<b>OPTION 2</b>	
MVFBR4040MVN	Vent Free Right Burner System – Millivolt Valve 25,900/38,225 Natural Gas
MVFBR4040MVP	Vent Free Right Burner System – Millivolt Valve 24,200/30,500 Liquid Propane
MVFBL4040MVN	Vent Free Left Burner System – Millivolt Valve 38,000 BTU/HR Natural Gas
MVFBL4040MVP	Vent Free Left Burner System – Millivolt Valve 35,000 BTU/HR Liquid Propane
LOGF38	Log Set required for MVFB40 R/L Burner System

**Choose Grill Kits or Panel Kits:**

MGBKBP	Grill Kit Bay Peninsula - Classic Polish Brass (Three Sets)
MGBKBA	Grill Kit Bay Peninsula - Classic Antique Brass (Three Sets)
MGBKBC	Grill Kit Bay Peninsula - Classic Chrome (Three Sets)
MGBKBL	Grill Kit Bay Peninsula - Black (Three Sets)
MGBKPB	Grill Kit Bay Peninsula - Polish Brass (Three Sets)
MGBKAB	Grill Kit Bay Peninsula - Antique Brass (Three Sets)
MGBKCR	Grill Kit Bay Peninsula - Chrome (Three Sets)
MVF40PBK	Panel Kit Bay Peninsula Kit - Black (Three Sets)

### 4. SEE-THROUGH INSTALLATION

MVF40SK See Through Kit - Two Large Sides Open

**Choose Natural Gas or Liquid Propane Burner:**

<b>BURNER SYSTEM &amp; LOG SET (REQUIRED FOR MVF40 FIREBOX)</b>	
<b>OPTION 1</b>	
GLMVF40MVN	Vent Free Multiview Burner System – Millivolt Valve 38,000 BTU/HR Natural Gas
GLMVF40MVP	Vent Free Multiview Burner System – Millivolt Valve 35,000 BTU/HR Liquid Propane
LOGC31	Log Set LOGC31 required for GLMVF40 Burner System
<b>OPTION 2</b>	
MVFBR4040MVN	Vent Free Right Burner System – Millivolt Valve 25,900/38,225 Natural Gas
MVFBR4040MVP	Vent Free Right Burner System – Millivolt Valve 24,200/30,500 Liquid Propane
MVFBL4040MVN	Vent Free Left Burner System – Millivolt Valve 38,000 BTU/HR Natural Gas
MVFBL4040MVP	Vent Free Left Burner System – Millivolt Valve 35,000 BTU/HR Liquid Propane
LOGF38	Log Set required for MVFB40 R/L Burner System

**Choose Grill Kits or Panel Kits:**

MGSKBP	Grill Kit See-Through - Classic Polish Brass (Two Sets)
MGSKBA	Grill Kit See-Through - Classic Antique Brass (Two Sets)
MGSKBC	Grill Kit See-Through - Classic Chrome (Two Sets)
MGSKBL	Grill Kit See-Through - Black (Two Sets)
MGSKPB	Grill Kit See-Through - Polish Brass (Two Sets)
MGSKAB	Grill Kit See-Through - Antique Brass (Two Sets)
MGSKCR	Grill Kit See-Through - Chrome (Two Sets)
MVF40PSK	Panel Kit See-Through - Black (Two Sets)

# FRAMING PARTS (continued)

## 5. PENINSULA INSTALLATION

MVF40PK Peninsula Kit - Two Large Sides Open, One Small Side Open  
**Choose Natural Gas or Liquid Propane Burner:**

### BURNER SYSTEM & LOG SET (REQUIRED FOR MVF40 FIREBOX)

#### OPTION 1

GLMVF40MVN Vent Free Multiview Burner System – Millivolt Valve 38,000 BTU/HR Natural Gas  
 GLMVF40MVP Vent Free Multiview Burner System – Millivolt Valve 35,000 BTU/HR Liquid Propane  
 LOGC31 Log Set LOGC31 required for GLMVF40 Burner System

#### OPTION 2

MVFBR4040MVN Vent Free Right Burner System – Millivolt Valve 25,900/38,225 Natural Gas  
 MVFBR4040MVP Vent Free Right Burner System – Millivolt Valve 24,200/30,500 Liquid Propane  
 MVFBL4040MVN Vent Free Left Burner System – Millivolt Valve 38,000 BTU/HR Natural Gas  
 MVFBL4040MVP Vent Free Left Burner System – Millivolt Valve 35,000 BTU/HR Liquid Propane  
 LOGF38 Log Set required for MVFB40 R/L Burner System

#### Choose Grill Kits or Panel Kits:

MGPKBP Grill Kit Peninsula - Classic Polish Brass (Three Sets)  
 MGPKBA Grill Kit Peninsula - Classic Antique Brass (Three Sets)  
 MGPKBC Grill Kit Peninsula - Classic Chrome (Three Sets)  
 MGPKBL Grill Kit Peninsula - Black (Three Sets)  
 MGPKPB Grill Kit Peninsula - Polish Brass (Three Sets)  
 MGPKAB Grill Kit Peninsula - Antique Brass (Three Sets)  
 MGPKCR Grill Kit Peninsula - Chrome (Three Sets)  
 MVF40PPK Panel Kit Peninsula - Black (Three Sets)

## 6. ISLAND INSTALLATION

MVF40IK Island Kit - Four Sides Open  
**Choose Natural Gas or Liquid Propane Burner:**

### BURNER SYSTEM & LOG SET (REQUIRED FOR MVF40 FIREBOX)

#### OPTION 1

GLMVF40MVN Vent Free Multiview Burner System – Millivolt Valve 38,000 BTU/HR Natural Gas  
 GLMVF40MVP Vent Free Multiview Burner System – Millivolt Valve 35,000 BTU/HR Liquid Propane  
 LOGC31 Log Set LOGC31 required for GLMVF40 Burner System

#### OPTION 2

MVFBR4040MVN Vent Free Right Burner System – Millivolt Valve 25,900/38,225 Natural Gas  
 MVFBR4040MVP Vent Free Right Burner System – Millivolt Valve 24,200/30,500 Liquid Propane  
 MVFBL4040MVN Vent Free Left Burner System – Millivolt Valve 38,000 BTU/HR Natural Gas  
 MVFBL4040MVP Vent Free Left Burner System – Millivolt Valve 35,000 BTU/HR Liquid Propane  
 LOGF38 Log Set required for MVFB40 R/L Burner System

#### Choose Grill Kits or Panel Kits:

MGIKBP Grill Kit Island - Classic Polish Brass (Four Sets)  
 MGIKBA Grill Kit Island - Classic Antique Brass (Four Sets)  
 MGIKBC Grill Kit Island - Classic Chrome (Four Sets)  
 MGIKBL Grill Kit Island - Black (Four Sets)  
 MGIKPB Grill Kit Island - Polish Brass (Four Sets)  
 MGIKAB Grill Kit Island - Antique Brass (Four Sets)  
 MGIKCR Grill Kit Island - Chrome (Four Sets)  
 MVF40PIK Panel Kit Island Kit - Black (Four Sets)

#### Required For all Burners

LOGF38 Log Set - Five Piece Fibre Split Oak - For MVFB40 Burners  
 LOGC31 Log Set - Seven Piece - For GLMVF40 Burners

*\*Note that we suggest Left Burner as your first choice, you can choose a Right Burner if a (\*) is notated beside part number*

# DIMENSIONS

NOTE: Non combustible materials such as tile, marble, and brick may overlap any facing on the appliance, but should never cover any necessary openings like louvered grills.

**WARNING:** Do not allow any combustible materials to overlap the firebox front facing.

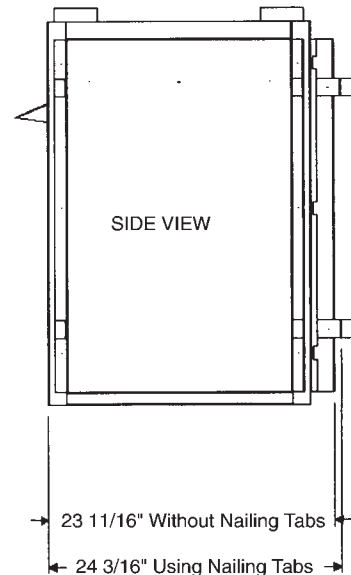
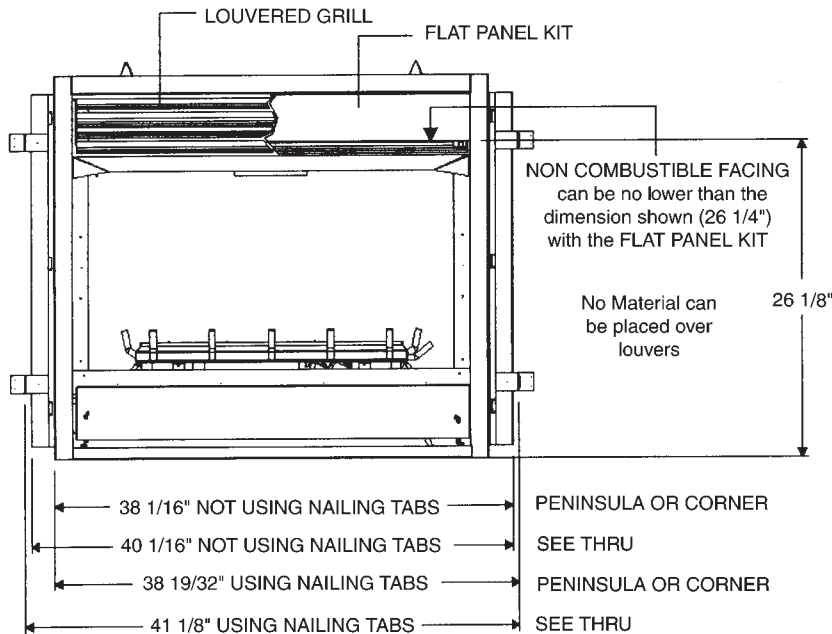
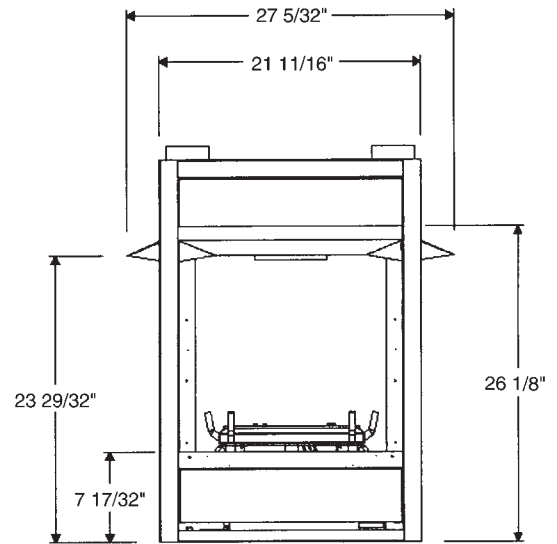
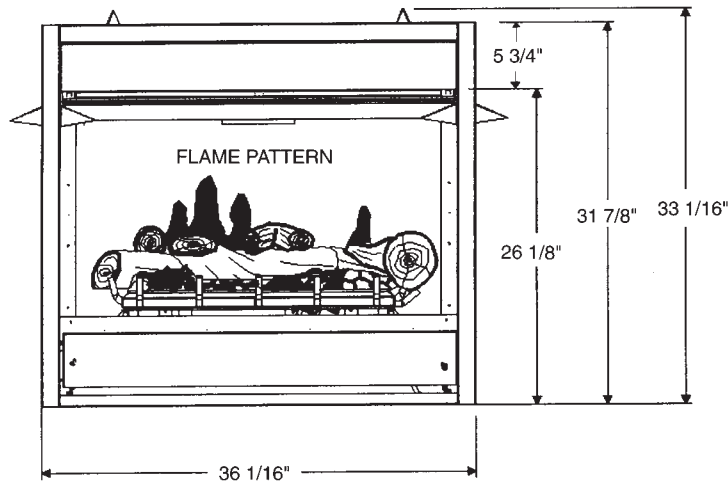
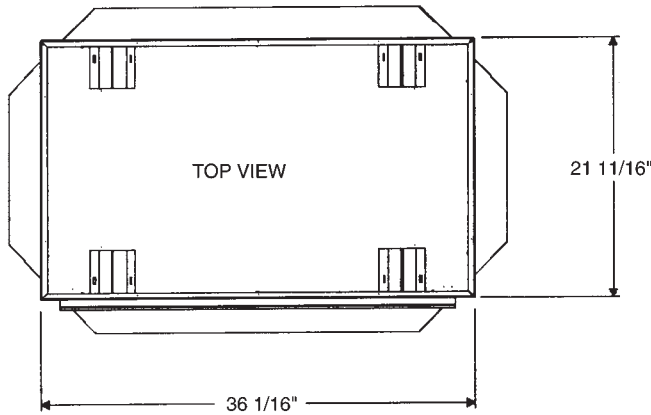


FIGURE 2

# INSTALLING – Clearances

## NOTICE

A qualified service person must install firebox. Follow all local codes.

## WARNING

Never install the firebox

- in a bedroom or bathroom
- in a recreational vehicle
- where curtains, furniture, clothing, or other flammable objects are less than 36 inches from the front, top, or sides of the firebox
- in high traffic areas
- in windy or drafty areas

**IMPORTANT:** Vent-free gas log heaters add moisture to the air. Although this is beneficial, installing firebox in rooms without enough ventilation air may cause mildew to form from too much moisture. See *Air for Combustion and Ventilation*, pages 20 through 23.

**IMPORTANT:** Make sure the firebox is level. If firebox is not level, log set will not work properly.

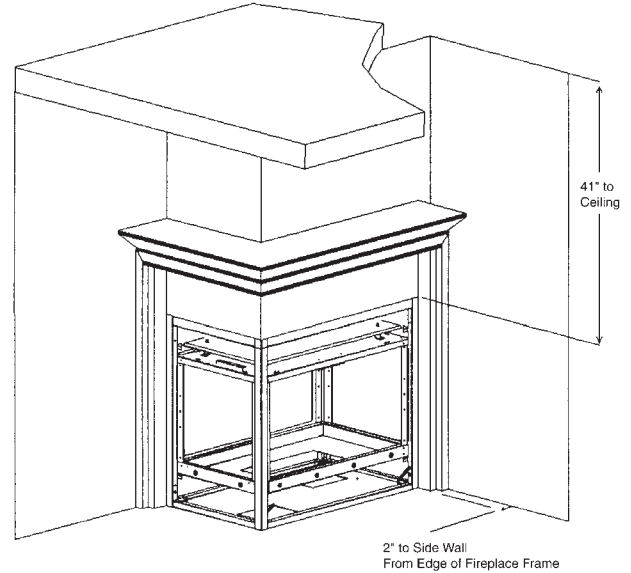
## INSTALLATION CLEARANCES

Carefully follow the instructions below. This will ensure safe installation.

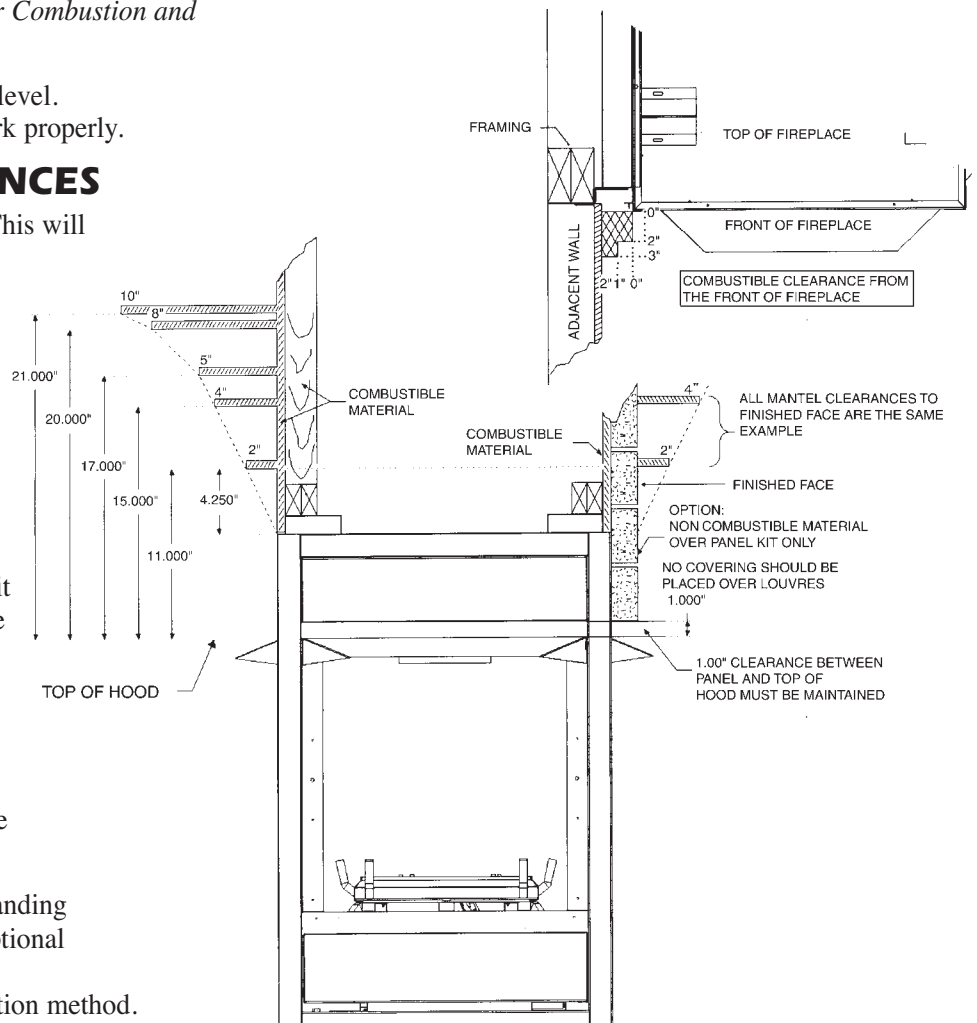
### Minimum Wall and Ceiling Clearances

- Clearances from the firebox to adjacent wall should not be less than 2 inches. (Ref. Page 8)
- Clearance from the top of the fireplace front to the ceiling should not be less than 41 inches.
- Clearance from the bottom of firebox to the floor is 0 inches. Bottom of unit must be flush with top of combustible floor covering.
- Clearance from side of fireplace to enclosure is 0 inches.
- Clearance from top of fireplace standoffs is 0 inches.
- Clearance from opens side of fireplace is 36".

These fireboxes can be installed as freestanding units against a wall with the approved, optional cabinet mantels or as a built-in unit. The clearances are the same for either installation method.



**FIGURE 3 – Minimum Clearances - Top and Sides of Room Heater to Ceiling and Walls.**



**FIGURE 4 – Mantel Clearances.**

# INSTALLING – Framing

## INSTALLING BY FRAMING FIREPLACE

Built-in installation of this firebox involves installing firebox into a framed-in enclosure. Optional brass trim accessories are available. The brass trim will extend past sides of firebox. This will cover the rough edges of the wall opening. If installing a mantel above the firebox, you must follow the clearances shown in Figure 4, [page 12](#). Follow the instructions below to install the firebox in this manner.

1. Frame in rough opening. The firebox framing should be constructed of 2 x 4 lumber or heavier. Use dimensions in Figure 1, 2, 3 and 4, [pages 8, 10 and 11](#). Adjust framing so that firebox is flush with finished wall surface.
2. Install gas piping to firebox location. See *Installing Gas Line* on [page 24](#) and *Connecting to Gas Supply* in log set owners manual. **IMPORTANT:** If installing blower accessory see [page 31](#).
3. Carefully insert firebox into rough opening.
4. Attach firebox to wall studs using nails or wood screws through holes in nailing flange.
5. If using optional Brass Surround Kit, install the trim after final finishing and/or painting of wall. See instructions included with brass trim accessory for attaching Surround.
6. Install and properly test gas log heater. Follow installation instructions included with the vent-free gas log heater that is being installed.

**IMPORTANT:** When finishing your firebox, combustible materials such as wall board, gypsum board, sheet rock, drywall, plywood, etc. may be butted up next to the sides and top of the firebox. Combustible materials should never overlap the firebox front facing.

**IMPORTANT:** Non-combustible materials such as brick, tile, etc. may overlap the front facing, but should never cover any necessary openings like louvered slots.

### WARNING

Maintain the minimum clearances. If you can, provide greater clearances from floor, ceiling, and adjoining wall.

### WARNING

Ensure the minimum clearances shown in Figures 3 and 4 on [page 12](#) are maintained. Left and right clearances are determined when facing the front of the heater.

### CAUTION

Do not install the firebox on carpet or vinyl.

### CAUTION

Log heaters installed in this firebox create warm air currents. These currents move heat to wall surfaces next to firebox. Installing firebox next to vinyl or cloth wall coverings or operating firebox where impurities in the air (such as tobacco smoke) exist, may discolor walls.

### WARNING

Do not allow any materials to overlap the firebox front facing.

### WARNING

Do not allow non-combustible materials to cover any necessary openings like louvered slots.

### WARNING

Use only non-combustible mortar or adhesives when overlapping the front facing with non-combustible facing material.

### WARNING

Never modify or cover the louvered slots on the front of the firebox.

# INSTALLING – Mantel Cabinets

## NOTICE

A qualified service person must install firebox. Follow all local codes.

## WARNING

Any changes to this heater or its controls can be dangerous.

## NOTICE

Installation and repair should be done by a qualified service person well trained in the installation of such appliances. You will also need a building permit from your local Building Commissioner before installing this appliance, otherwise your insurance company may not cover this appliance.

## DANGER

**CARBON MONOXIDE POISONING  
MAY LEAD TO DEATH!**

## CAUTION

Use new black pipe only. Internally tinned copper tubing can be used in some areas when permitted by local codes. Only use pipe of 1/2" or greater diameter to allow full gas volume to heater. Excessive pressure loss will occur if the pipe is too small.

A manual shutoff valve, union and plugged 1/8" NPT pressure tap pointer must be installed upstream of the heater.

A sediment trap must be installed upstream of the heater to prevent moisture and contaminants from passing through the pipe to the heater controls and burners. Failure to do so could prevent the heater from operating reliably.

# PENINSULA FRAMING SPECIFICATIONS

## FRAMING

Using 2x4s frame to local building codes. DO NOT install against a vapour barrier or exposed insulation. Framing measurements have been adjusted to accommodate a 1/2" thick finished wall.

### FIGURE 5.

Combustible materials may be installed flush with top and sides of fireplace. It is not necessary to install a hearth with this fireplace system. Objects placed in front of the fireplace should be kept a minimum of 24" away from the front face. Gas line installation should be performed only after Fireplace installation. Fireplace bottom supplies you with two 6"x8" rectangular holes. The use of these holes depends on valve and Fireplace location on riser or upper floor.

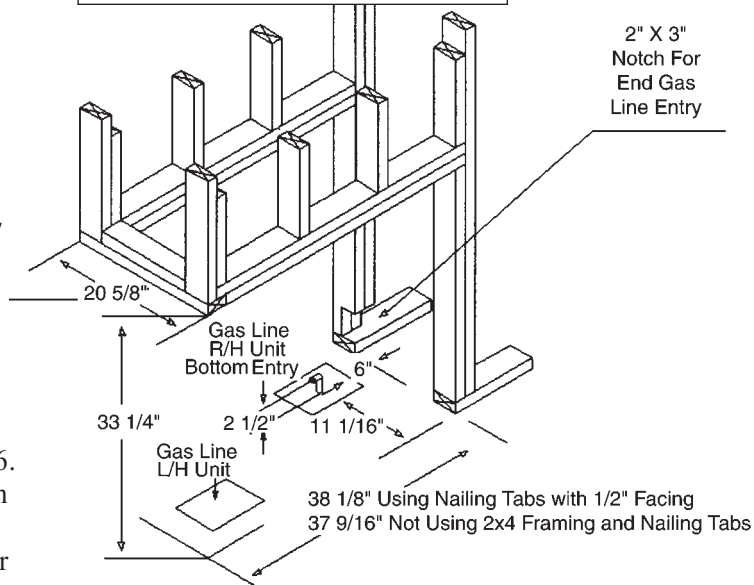
Note: Framing dimension shown is to accept 1/2" Facing Material. The dimension shown may be reduced depending on the thickness of facing material up to 1"

## NOTE

If the unit is installed in a non conventional manner not using 2x4 framing the nailing tabs may be removed and the heat shields may be placed directly against a combustible wall or partition. When the unit is installed without nailing tabs the unit must be secured to the floor using the holes located in the bottom of the fireplace.

NOTE: The standoffs are non load bearing. When installing a cabinet, a maximum weight of 250 lbs can be installed on the 1/2" drywall lip (located around the perimeter of the appliance).

Figure 5

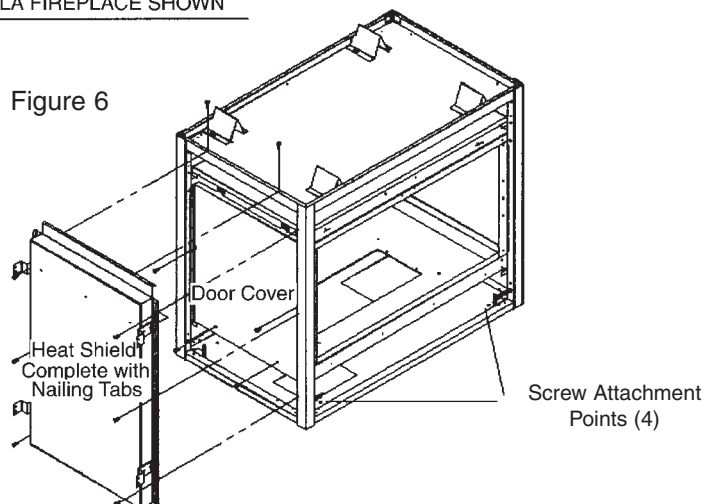


PENINSULA FIREPLACE SHOWN

## FIREPLACE ASSEMBLY

1. Mount Door Cover on one end. Figure #6. Position Door Cover over opening as shown in diagram and using 4 self tapping screws secure onto fireplace. Check to see that door cover is properly sealed.
  2. Hang Heat Shield on top edge of Fireplace and secure with self tapping screws. Heat Shield must be centered allowing a 1/2" clearance both sides of Fireplace for finishing material.
  3. The heat shield is equipped with nailing tabs if 2x4 framing is used as shown in diagram Level Fireplace and nail or screw into place.
- When not using 2x4 framing secure Unit with screws at bottom (SEE ABOVE NOTE:)

Figure 6





# SEE-THROUGH FRAMING SPECIFICATIONS

## FRAMING

Using 2x4s frame to local building codes.

DO NOT install against a vapour barrier or exposed insulation. Framing measurements have been adjusted to accommodate a 1/2" thick finished wall. FIGURE 7.

Combustible materials may be installed flush with top and sides of fireplace.

It is not necessary to install a hearth with this fireplace system.

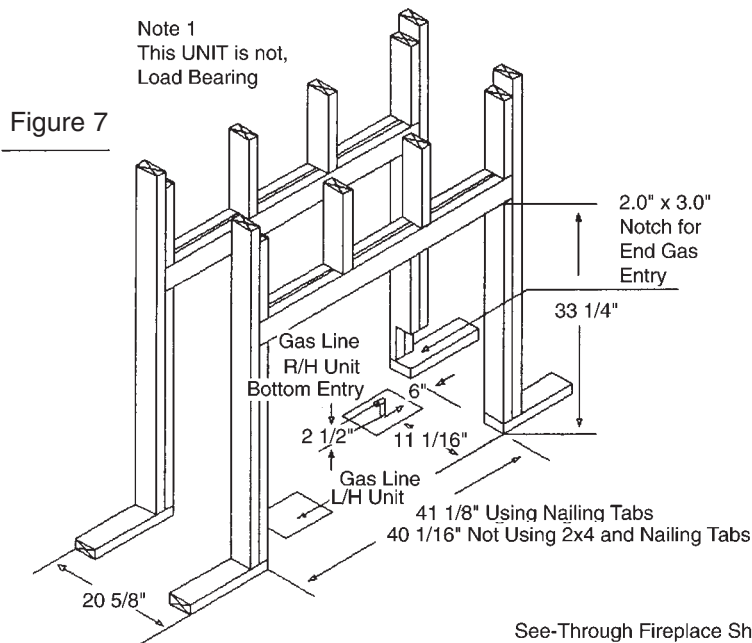
Objects placed in front of the fireplace should be kept a minimum of 24" away from the front face.

Gas line installation should be performed only after Fireplace installation. Fireplace bottom supplies you with two 6" x 8" rectangular holes. The use of these holes depends on valve and Fireplace location on riser or upper floor.

## NOTE

If the unit is installed in a non conventional manner not using 2x4 framing the nailing tabs may be removed and the Heat Shields may be placed directly against a combustible wall or partition.

When the unit is installed without nailing tabs the unit must be secured to the floor using the holes located in the bottom of the fireplace.



## FIREPLACE ASSEMBLY

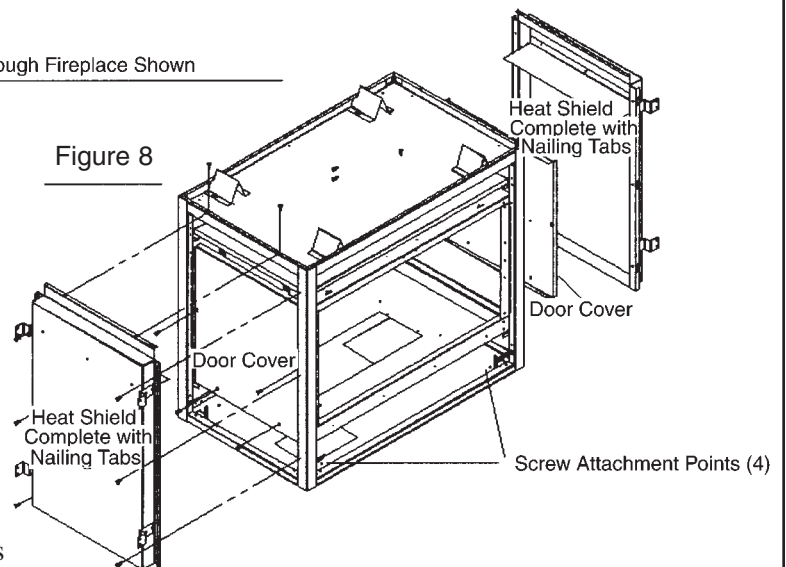
1. Mount Door Cover on one end. Figure #8.

Position Door Cover over opening as shown in diagram and using 4 self tapping screws secure onto fireplace. Check to see that door cover is properly sealed.

2. Hang Heat Shield on top edge of Fireplace and secure with self tapping screws. Heat Shield must be centered allowing a 1/2" clearance both sides of Fireplace for finishing material.

3. The Heat Shield is equipped with nailing tabs if 2x4 framing is used as shown in diagram. Level Fireplace and nail or screw into place.

When not using 2x4 framing secure Unit with screws at bottom (SEE ABOVE NOTE:)



# BAY PENINSULA FRAMING SPECIFICATIONS

## FRAMING

Using 2x4s frame to local building codes.

DO NOT install against a vapour barrier or exposed insulation.

Framing measurements have been adjusted to accommodate a 1/2" thick finished wall.

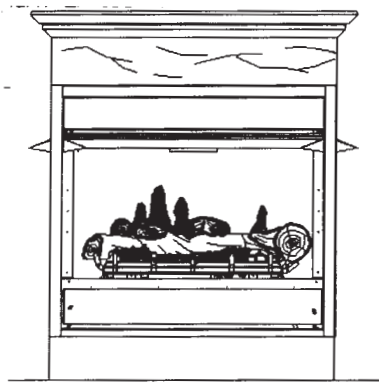
### FIGURE 9.

Combustible materials may be installed flush with top and sides of fireplace.

It is not necessary to install a hearth with this fireplace system. Objects placed in front of the fireplace should be kept a minimum of 24" away from the front face.

Fireplace bottom supplies you with two 6" x 8" holes. The use of these holes depends on valve and Fireplace location on riser or upper floor.

NOTE: The standoffs are non load bearing. When installing a cabinet, a maximum weight of 250 lbs can be installed on the 1/2" drywall lip (located around the perimeter of the appliance).



## FIREPLACE ASSEMBLY

1. To mount Door Cover, Figure #10. Position Door Cover over opening as shown in diagram and using 6 self tapping screws secure onto fireplace. Check to see that door cover is properly sealed.
2. Hang Heat Shield on top edge of Fireplace and secure with self tapping screws. Heat Shield must be centered allowing a 1/2" clearance both sides of Fireplace for finishing material.
3. The Heat Shield is equipped with nailing tabs if 2x4 framing is used as shown in diagram. Level Fireplace and nail or screw into place.

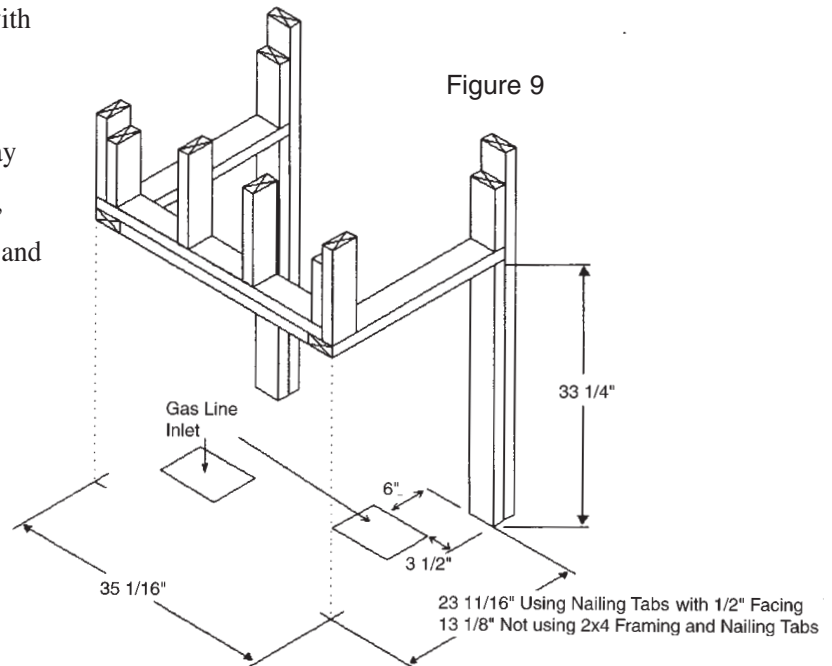
When not using 2x4 framing secure Unit with screws at bottom (SEE ABOVE NOTE:)

NOTE: Use 8-18 x 3/4 DT screws for bottom of door cover.

NOTE: Holes for mounting sides of Heat Shield are not pre-punched.

## NOTE

If the unit is installed in a non conventional manner not using 2x4 framing the nailing tabs may be removed and the Heat Shields may be placed directly against a combustible wall or partition. When the unit is installed without nailing tabs the unit must be secured to the floor using the holes located in the bottom of the fireplace.



Note: Framing dimension shown is to accept 1/2" facing material. The dimension shown may be reduced depending on the thickness of facing material up to 1"

Bay Peninsula Fireplace Shown

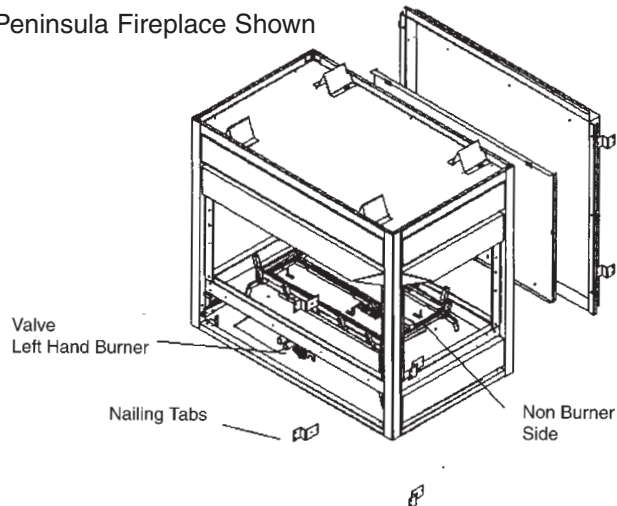


Figure 10

# CORNER FRAMING SPECIFICATIONS

## FRAMING

Using 2x4s frame to local building codes.  
 DO NOT install against a vapour barrier or exposed insulation.  
 Framing measurements have been adjusted to accommodate a 1/2" thick finished wall. FIGURE 11.  
 Combustible materials may be installed flush with top and sides of fireplace.  
 It is not necessary to install a hearth with this fireplace system.  
 Objects placed in front of the fireplace should be kept a minimum of 24" away from the front face.  
 Fireplace bottom supplies you with two 6" x 8" rectangular holes. The use of these holes depends on valve and Fireplace location on riser or upper floor.

## NOTE

If the unit is installed in a non conventional manner not using 2x4 framing the nailing tabs may be removed and the Heat shields may be placed directly against a combustible wall or partition.  
 When the unit is installed without nailing tabs the unit must be secured to the floor using the holes located in the bottom of the fireplace.

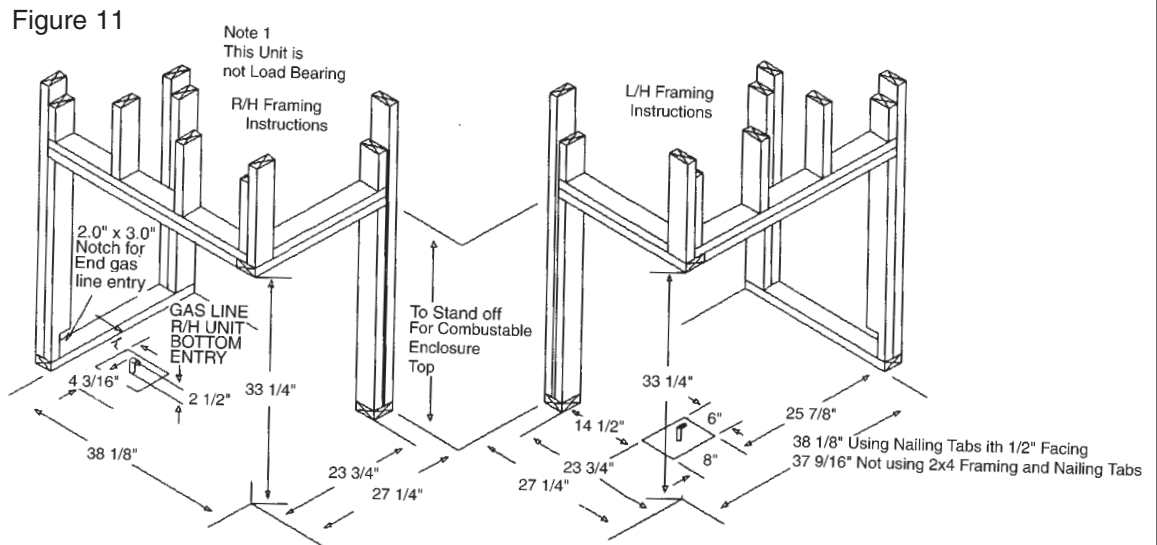


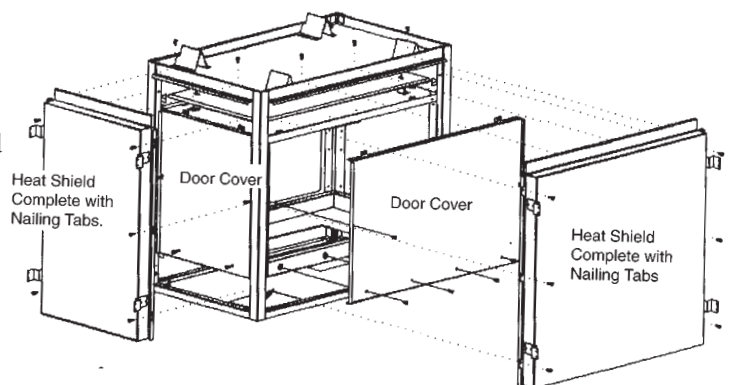
Figure 12

Corner Fireplace Shown

## FIREPLACE ASSEMBLY

1. Mount Door Cover on one end. Figure #12. Position Door Cover over opening as shown in diagram and using 4 self tapping screws secure onto fireplace. Check to see that door cover is properly sealed.
2. Hang Heat Shield on top edge of Fireplace and secure with self tapping screws. Heat Shield must be centered allowing a 1/2" clearance both sides of Fireplace for finishing material.
3. The Heat Shield is equipped with nailing tabs if 2x4 framing is used as shown in diagram. Level Fireplace and nail or screw into place.  
 When not using 2x4 framing secure Unit with screws at bottom (SEE ABOVE NOTE:)

NOTE: Use 8-18 x 3/4 DT screws for bottom of door cover  
 NOTE: Holes for mounting sides of heat shield are not pre-punched.



# UNIVERSAL FIREBOX

The MVF40 is approved as a Zero Clearance Universal Firebox, when using as a Universal Firebox the bottom burner pan must be used. (Part # 38VF-134).

When installing another manufacturer's log and burner system, follow the manufacturer's assembly instructions.

For framing, see pages 12 through 18 depending on type of installation. (eg. SEE THRU, ISLAND, PENINSULA, CORNER, AND BAY PENINSULA) Follow all clearances to combustibles in this manual and see below for installation of the Bottom Firebox Pan (Part # 38VF-134) that must be used.

The Firebox canopy must not be replaced with a canopy which may be provided with the decorative type unvented room heater.  
USE ONLY KINGSMAN DECORATIVE COMPONENT AND REPLACEMENT PARTS.

**Warning:** Fireplace screen must be closed while appliance is in operation.

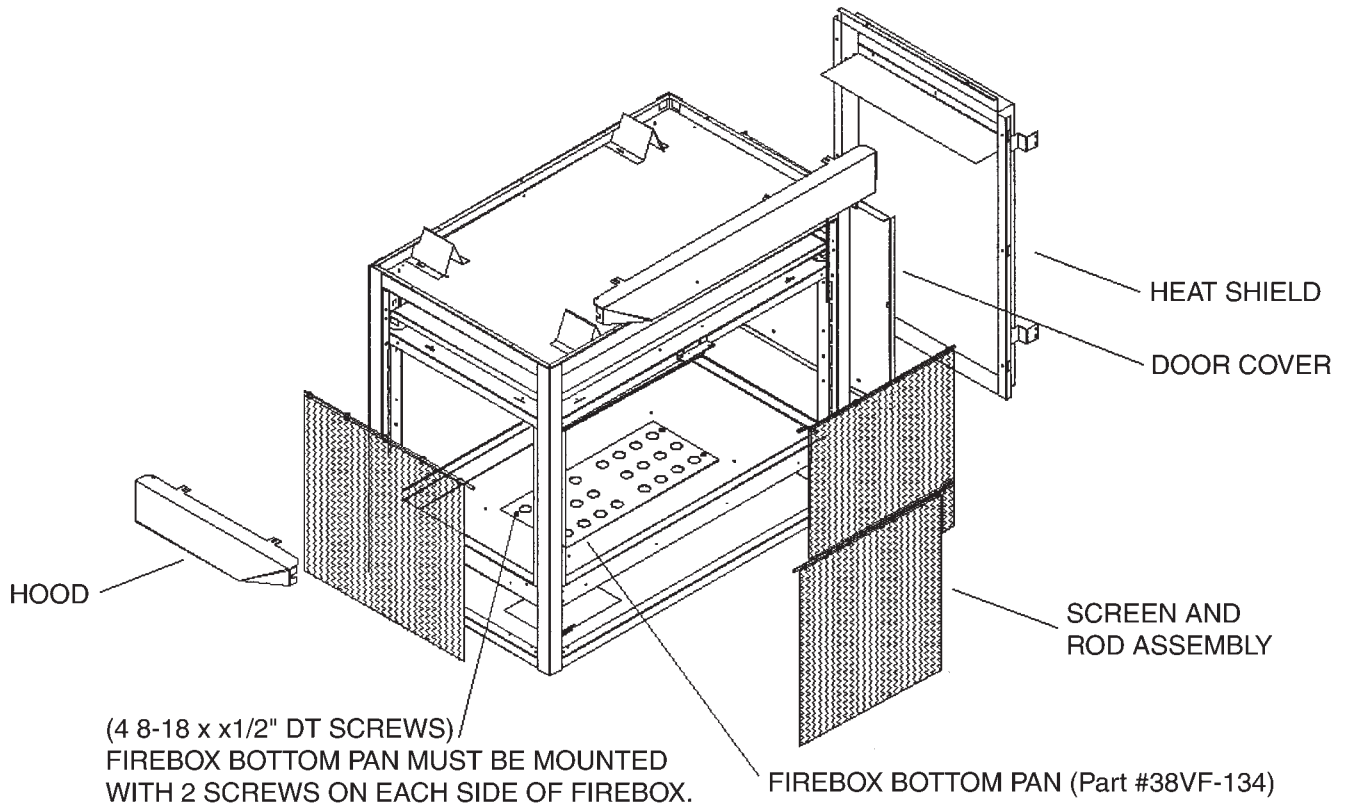


Figure 13

# AIR FOR COMBUSTION AND VENTILATION

Today's homes are built more energy efficient than ever. New materials, increased insulation, and new construction methods help reduce heat loss in homes. Home owners weather strip and caulk around windows and doors to keep the cold air out and the warm air in. During heating months, home owners want their homes as airtight as possible.

## WARNING

This firebox shall not be installed in a confined space unless provisions are provided for adequate combustion and ventilation air. Read the following instructions to insure proper fresh air for this and other fuel-burning appliances in your home.

While it is good to make your home energy efficient, your home needs to breathe. Fresh air must enter your home. All fuel-burning appliances need fresh air for proper combustion and ventilation.

Exhaust fans, fireboxes, clothes dryers, and fuel burning appliances draw air from the house to operate. You must provide adequate fresh air for these appliances. This will insure proper venting of vented fuel-burning appliances.

## PROVIDING ADEQUATE VENTILATION

The following are excerpts from *National Fuel Gas Code, NFPA 54/ANSI Z223.1, Section 5.3, Air for Combustion and Ventilation*:

All spaces in homes fall into one of the three following ventilation classifications:

1. Unusually Tight Construction, 2. Unconfined Space, 3. Confined Space.

The information on [pages 20 through 24](#) will help you classify your space and provide adequate ventilation.

### Unusually Tight Construction

The air that leaks around doors and windows may provide enough fresh air for combustion and ventilation. However, in building of usually tight construction, you must provide additional fresh air.

**Unusually tight construction is defined as construction where:**

- a. walls and ceilings exposed to the outside atmosphere have a continuous water vapor retarder with a rating of one perm (6 x 10<sup>-11</sup> per pasc-m<sup>2</sup>) or less with openings gasketed or sealed and
- b. weather stripping has been added on openable windows and doors *and*
- c. caulking or sealants are applied to areas such as joints around window and door frames, between sole plates and floors, between wall-ceiling joints, between wall panels, at penetrations for plumbing, electrical, and gas lines, and at other openings.

**If your home meets any of the three criteria above, you must provide additional fresh air.**

See *Ventilation Air From Outdoors*, [page 24](#).

### Confined and Unconfined Space

The National Fuel Gas Code (*ANSI Z223.1, 1992 Section 5.3*) defines a confined space as a space whose volume is less than 50 cubic feet per 1,000 btu per hour (4.8 m<sup>3</sup> per kw) of the aggregate input rating of all appliances installed in that space. Rooms communicating directly with the space in which the appliances are installed\*, through openings not furnished with doors, are considered a part of the unconfined space.

\*Adjoining rooms are communicating only if there are doorless passageways or ventilation grills between them.

## DETERMINING AIR FLOW FOR FIREBOX LOCATION

### Determining if You Have a Confined or Unconfined Space

Use the work sheet on the next page to determine if you have a confined or unconfined space.

**Space:** Includes the room in which you will install firebox plus any adjoining rooms with doorless passageways or ventilation grills between the rooms.

# AIR FOR COMBUSTION AND VENTILATION Cont.

1. Determine the volume of the space (length x width x height).

Length x Width x Height = \_\_\_\_\_ cu. ft. (volume of space)

*Example:* Space size 22ft. (length) x 18 ft. (width) x 8 ft. (ceiling height) = 3168 cu. ft. (volume of space)

If additional ventilation to adjoining room is supplied with grills or openings, add the volume of these rooms to the total volume of the space.

2. Divide the space volume by 50 cubic feet to determine the maximum Btu/Hr the space can support.  
 \_\_\_\_\_ (volume of space) ÷ 50 cu. ft. = 63.3 or 63,300 (maximum Btu/Hr the space can support)
3. Add the Btu/Hr of all fuel burning appliances in the space.

Vent-free firebox	_____	Btu/Hr
Gas water heater*	_____	Btu/Hr
Gas furnace	_____	Btu/Hr
Vented gas heater	_____	Btu/Hr
Gas firebox logs	_____	Btu/Hr
Other gas appliances*	+ _____	Btu/Hr
Total	= _____	Btu/Hr

<i>Example:</i>	Gas water heater	40,000 Btu/Hr
	Vent-free firebox with log heater	+ 39,000 Btu/Hr
	Total	= 79,000Btu/Hr

\* Do not include direct-vent gas appliances. Direct-vent draws combustion air from the outdoors and vents to the outdoors.

4. Compare the maximum Btu/Hr the space can support with the actual amount of Btu/Hr used.  
 \_\_\_\_\_ Btu/Hr (maximum the space can support)  
 \_\_\_\_\_ Btu/Hr (actual amount of Btu/Hr used)

*Example:* 63,300 Btu/Hr (maximum the space can support)  
 79,000 Btu/Hr (actual amount of Btu/Hr used)

The space in the above example is a confined space because the actual Btu/Hr used is more than the maximum Btu/Hr the space can support. You must provide additional fresh air. Your options are a follows:

- A. Rework work sheet, adding the space of an adjoining room. If the extra space provides an unconfined space, remove door to adjoining room or add ventilation grills between rooms, See *Ventilation Air from Inside Building*, page 22.
- B. Vent room directly to the outdoors. See *ventilation Air from Outdoors*, page 23.
- C. Install a lower Btu/Hr firebox, if lower Btu/Hr size makes room unconfined.

If the actual Btu/Hr used is less than the maximum Btu/Hr the space can support, the space is an unconfined space. You will need no additional fresh air ventilation.

## WARNING

If the area in which the firebox and gas log heater may be operated is smaller than that defined as an unconfined space, provide adequate combustion and ventilation air by one of the methods described in the National Fuel Gas Code, ANSI Z223.1, 1992, Section 5.3.

# AIR FOR COMBUSTION AND VENTILATION Cont.

## VENTILATION AIR FROM INSIDE BUILDING

This fresh air would come from an adjoining unconfined space. When ventilating to an adjoining unconfined space, you must provide two permanent openings: one within 12" of the ceiling and one within 12" of the floor on the wall connecting the two spaces. You can also remove doors into adjoining rooms. Follow the *National Fuel Gas Code NFPA 54/ANSI Z223.1, Section 5.3, Air for Combustion and Ventilation* for required size of ventilation for required size of ventilation grills or ducts.

### **WARNING**

Rework worksheet, adding the space of the adjoining unconfined space. The combined spaces must have enough fresh air to supply all appliances in both spaces.

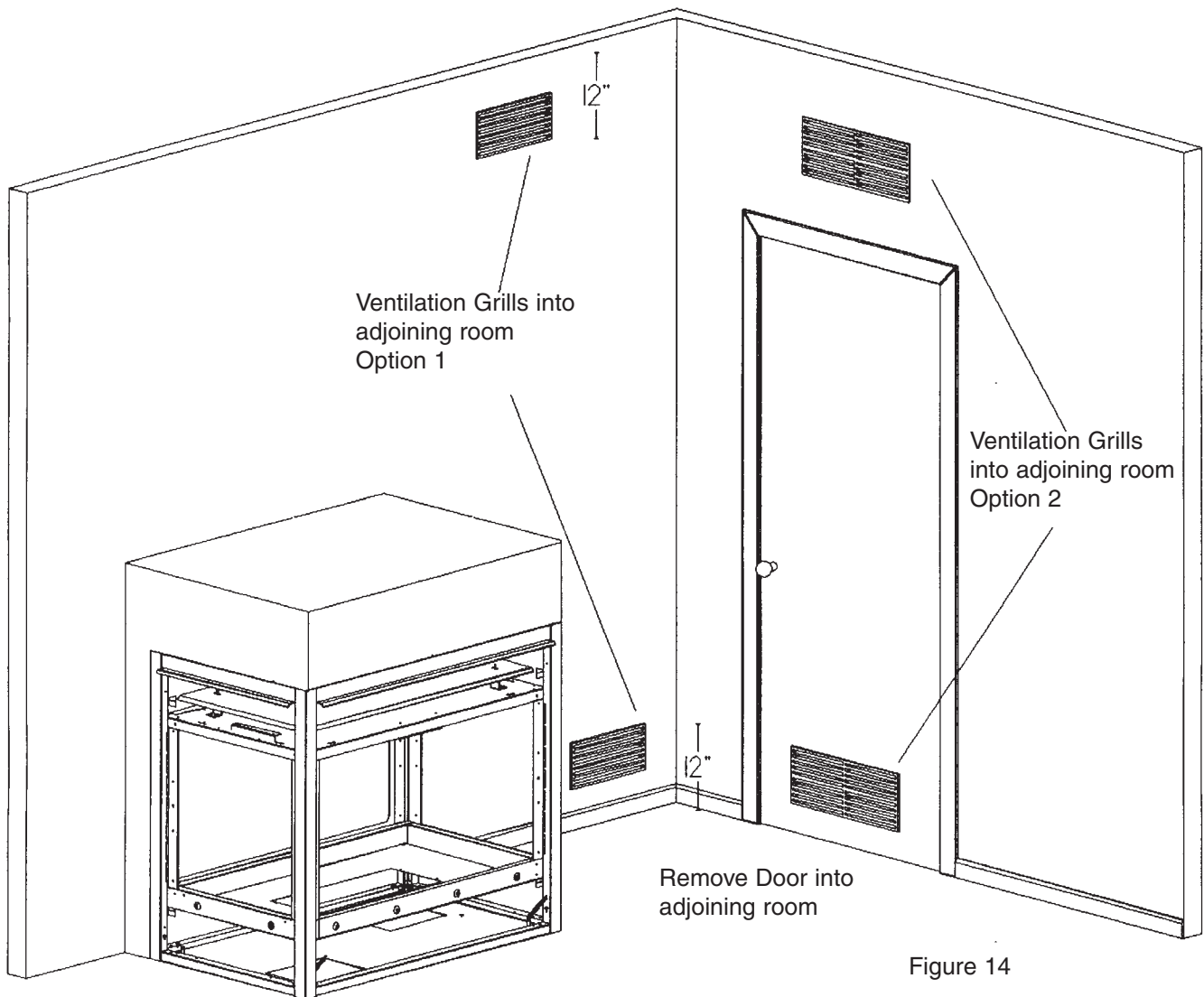


Figure 14

# AIR FOR COMBUSTION AND VENTILATION Cont.

## Ventilation Air From Outdoors

Provide extra fresh air by using ventilation grills or ducts. You must provide two permanent openings: one within 12" of the ceiling and one within 12" of the floor. Connect these items directly to the outdoors or spaces open to the outdoors. These spaces include attics and crawl spaces.

**IMPORTANT:** Do not provide openings for inlet or outlet air into attic if attic has a thermostat-controlled power vent. Heated air entering the attic will activate the power vent.

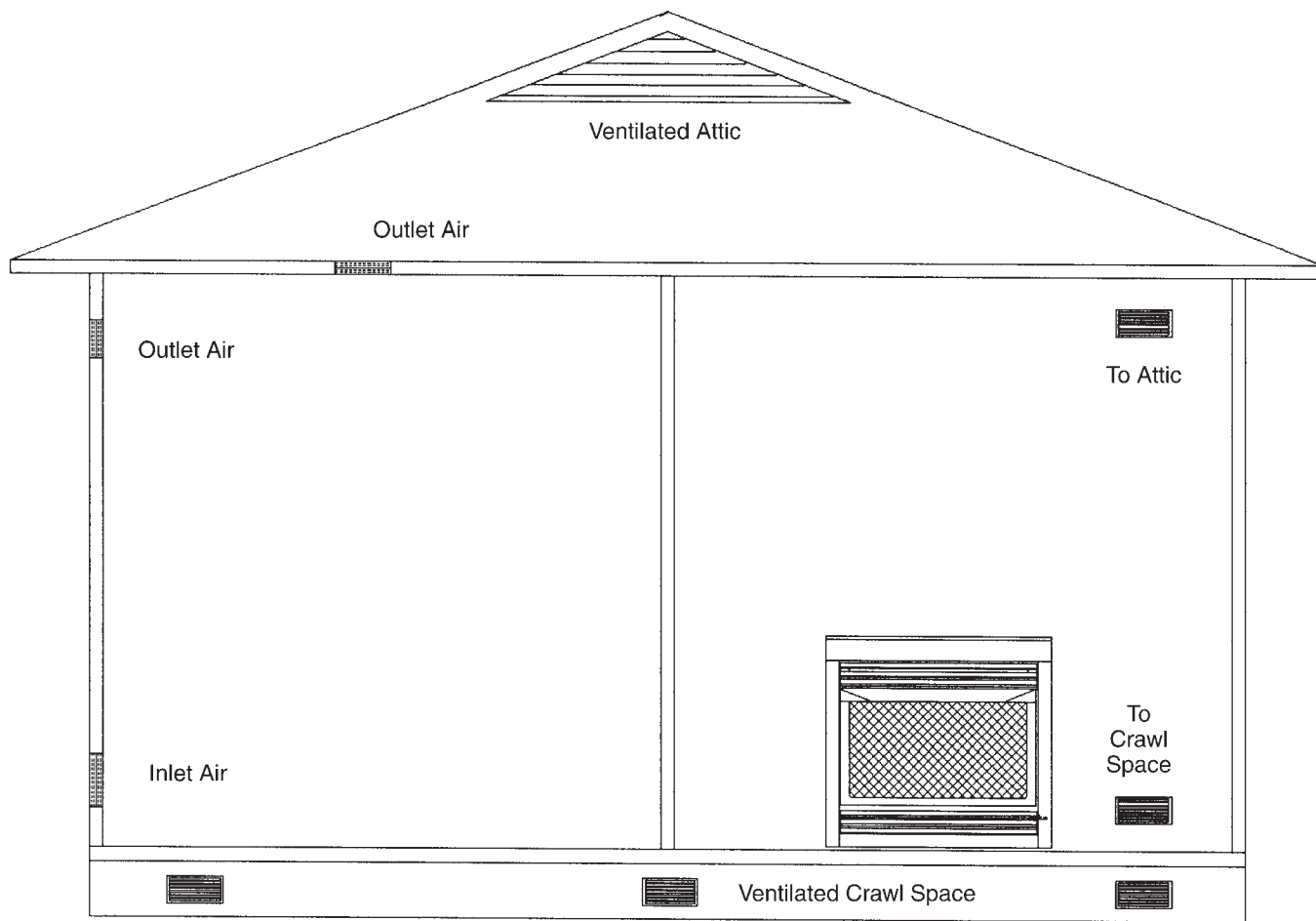


FIGURE 15 - Ventilation Air from Outdoors



# INSTALLING – Gas Line

## INSTALLING GAS LINE

Early signs of carbon monoxide poisoning resemble the flu, with headaches, dizziness, and / or nausea. If you have these signs, the heater may not be working properly. **Get fresh air at once!** Turn off gas appliance. Have appliance serviced. Some people (such as pregnant women, persons with heart or lung disease, persons with anemia and those at high altitudes) are more affected by carbon monoxide than others. Make certain you read and understand all warnings. Place Burner Base or Grate Assembly in center of firebox and connect flexible gas line to incoming black iron pipe gas line.

**Do not connect appliance before pressure testing gas piping. Damage to gas valve may result and an unsafe condition may be caused.**

Prepare incoming black iron gas line with **Teflon tape** or **pipe joint compound** (check with local codes about the use of Teflon tape). Compounds used on threaded joints of gas piping shall be resistant to the action of Liquefied Petroleum (LP or Propane) and should be applied lightly to ensure excess sealant does not enter the gas line.

Complete your gas installation by connecting incoming gas line to regulator. Secure all joints tightly with wrench but **do not over-tighten**. If a flexible gas line is used, take care not to kink connector. The burner pressure is controlled by the regulator. Check pressure at the pressure test point, which is located on the side of the gas control near the pilot outlet. Make sure that the pressure tap is completely closed after checking gas pressure. The pressure should be checked with the appliance burning and the control set on high.

**IMPORTANT:** Loosen the pipe adapter on the flex tube before installing to the system piping.

**CHECK GAS TYPE:** The gas supply must be the same as stated on the heater's rating plate. If the gas supply is different, Do Not Install the heater. Contact your dealer for the correct model.

For the state of Massachusetts a **T-handle gas shut-off valve** must be used on a gas appliance. This T-handle gas shut-off valve must be listed and approved by the state of Massachusetts. This is in reference to the state of Massachusetts state code CMR238.

## CAUTION

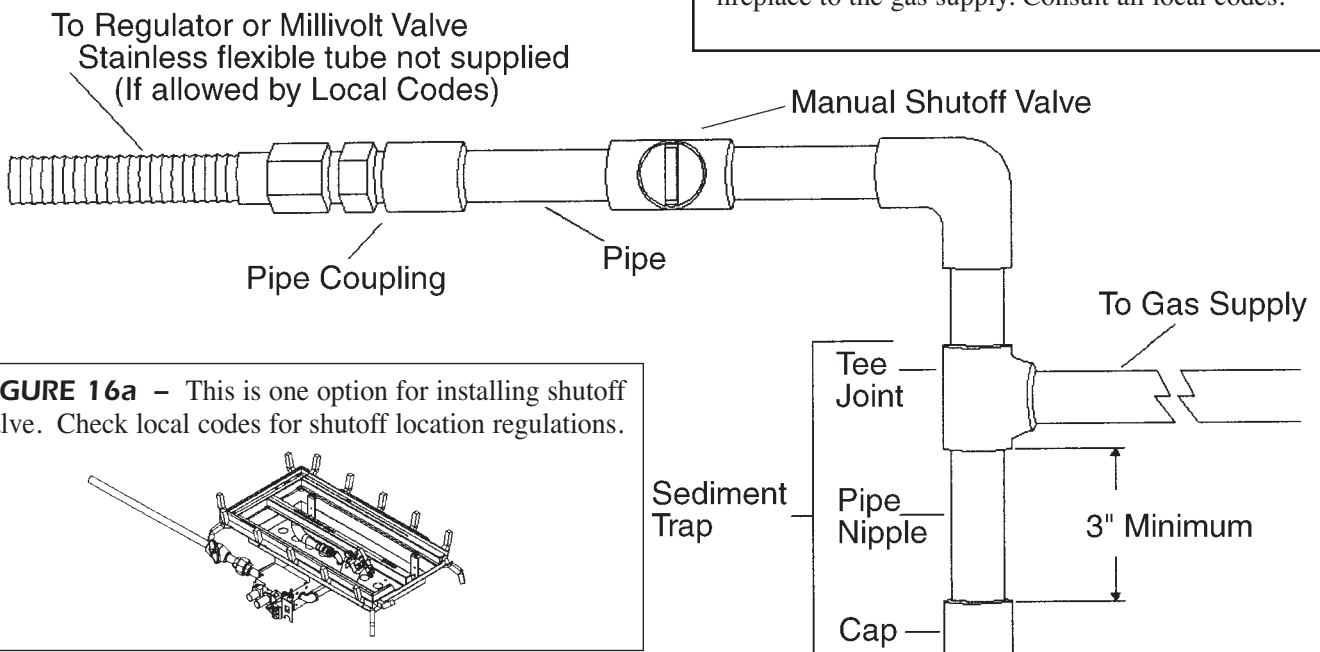
All gas piping and connections must be tested for leaks after installation is completed. To test, turn gas valve on, then apply a soap and water solution to all connections and joints. If bubbles appear, leak can be detected and corrected. **Never use an open flame for leak testing. Never operate any appliance if a leak is detected!**

## CAUTION

Any safety screen or guard removed for servicing an appliance must be replaced prior to operating the heater.

## NOTICE

A qualified gas appliance installer must connect the fireplace to the gas supply. Consult all local codes.



**FIGURE 16a** – This is one option for installing shutoff valve. Check local codes for shutoff location regulations.

**FIGURE 16, 16a** – Installing gas line and manual shutoff valve

# INSTALLING – MVFB4040 Burner Systems

**Warning:** Failure to position parts in accordance with these diagrams or failure to use only part specifically approved with this heater may result in property damages or personal injury.

1. Remove the Universal Bottom before installing Kingsman Multiview Burner system by removing 4 screws.
2. Position burner assembly as per unit configuration (eg. left corner, right corner, peninsula, etc.)
3. Tilt burner assembly so valve is at an angle to the fireplace and lower into position.
4. Line the 4 holes on the burner assembly as shown on the diagram with the 4 holes on the fireplace and screw into place with 1/2" DT Screws.
5. Install log support plates as shown in the lower diagram. (Make sure the log support plate with the cut out is placed on the side where the ODS Pilot is located.)

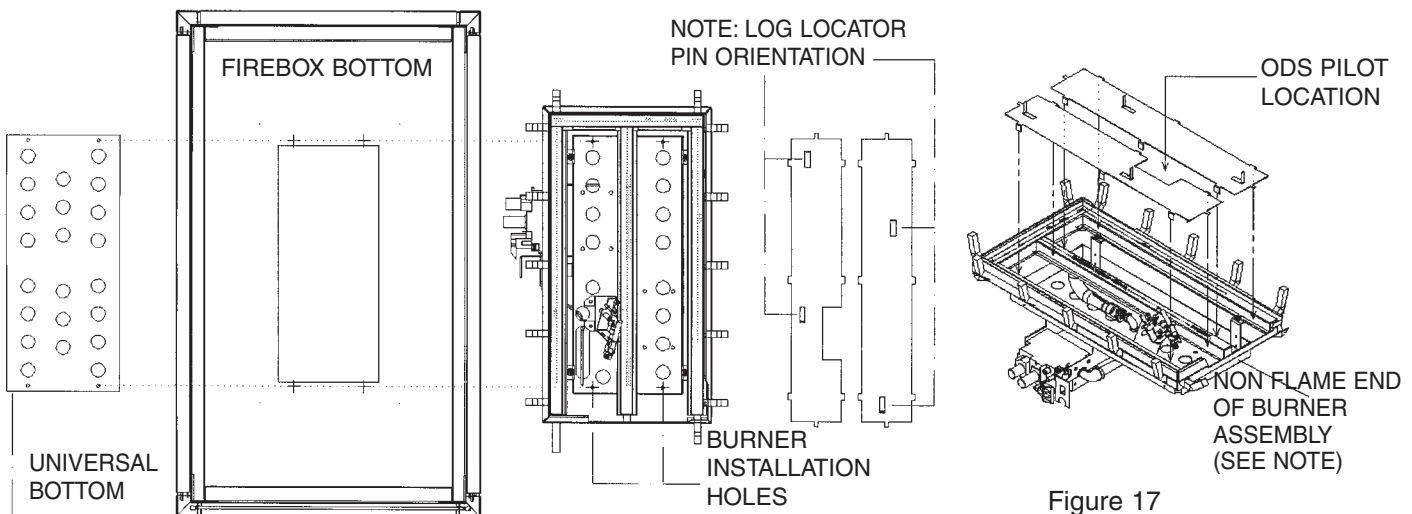


Figure 17

**NOTE:** When installing Burner assembly into a corner installation it is very important that the NON FLAME END of the burner assembly is facing the side of the enclosure that is built in.

## CLEANING AND SERVICING OF BURNER / ODS PILOT

It is recommended to annually inspect and clean the unit to prevent malfunction and / or sooting. This operation should be performed by your dealer or a qualified technician.

1. Remove fireplace hood and screen. (Refer to *Installation of Door Screen and Hood*, page 30.)
2. Remove log set, handling carefully by holding gently at each end. (Refer to *Log Placement*, page 26.) Gloves are recommended to prevent skin irritation from ceramic.

### Annual Cleaning / Inspection

- Do not use cleaning fluids to clean logs or any part of the heater.
- Use a soft bristle brush or a vacuum with brush attachment.
- Vacuum loose particles and dust from burner ports, valve and blower compartments.
- Vacuum any accumulation of lint from primary mixing tube.
- Inspect ODS pilot for operation, accumulation of lint at the air inlet holes.
- Verify flame pattern and log placement for proper operation.
- Verify that all ports ignite and cross over smoothly from rear to front burner.

## WARNING

Turn off heater and allow to cool before cleaning. Only a qualified service technician should service and repair appliance. Failure to keep primary air openings clear, may result in sooting and property damage.

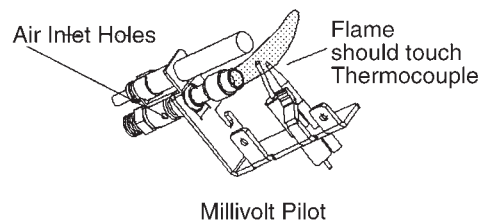


FIGURE 18 – Manual and Millivolt Pilot Flames

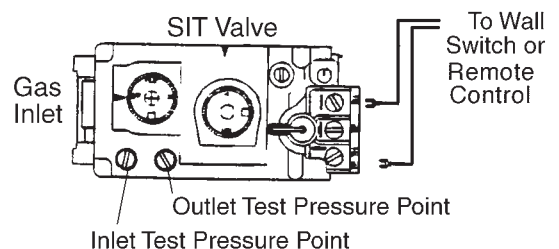


FIGURE 19 – Millivolt Models

# INSTALLING – MVFB4040 Burner Systems and LOGF38

## Log Installation

The Kingsman log set has been numbered for ease of installation.

1. Place log #1 onto plate with the ODS Pilot extending through the notch area. Position holes on under side of Log #1 with the 2 vertical tabs on the plate and lower onto plate.
2. Place log #4 onto plate opposite of plate with the ODS Pilot
3. Position Log #5 onto end Pin of Log #4 as shown in diagram
4. Position Log #3 onto center Pin of Log #4 as shown in diagram.
5. Position log #2 onto Pin of Log #1 and position Log #2 up against Log #4.

NOTE LOG #5 IS TO BE POSITIONED ON THE NON FLAME SIDE.

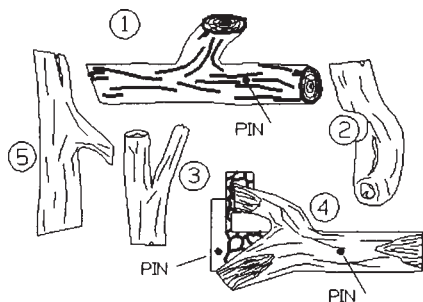
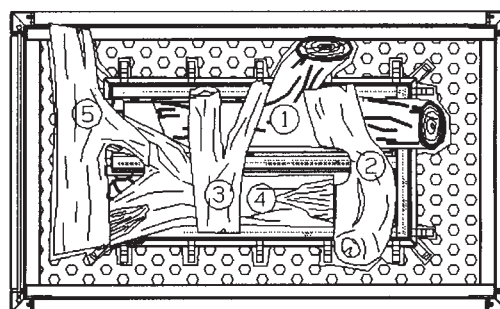


Figure 20

## Crushed Rock Installation

Place crushed rock onto firebox bottom making sure not to place any rock onto the burner or burner ports as this will cause carboning, delayed ignition, and will raise Carbon Monoxide to very dangerous levels.



TOP VIEW

## Optional Back and Side Brick Panel Installations

### Side Brick Panel Installation (Long Side)

1. Remove side brick clip located on top of Firebox.
2. Slide Side Brick Panel into Firebox through the small side opening and center from left to right and push tight against side wall of Firebox.
3. Place Brick Clip back into position and tighten

### Back Brick Panel Installation (Short Side)

1. Remove back brick clip located on top of Firebox.
2. Slide Back Brick Panel into Firebox through the large side opening and center from left to right and push tight against side wall of Firebox.
3. Place Brick Clip Back into position and tighten.

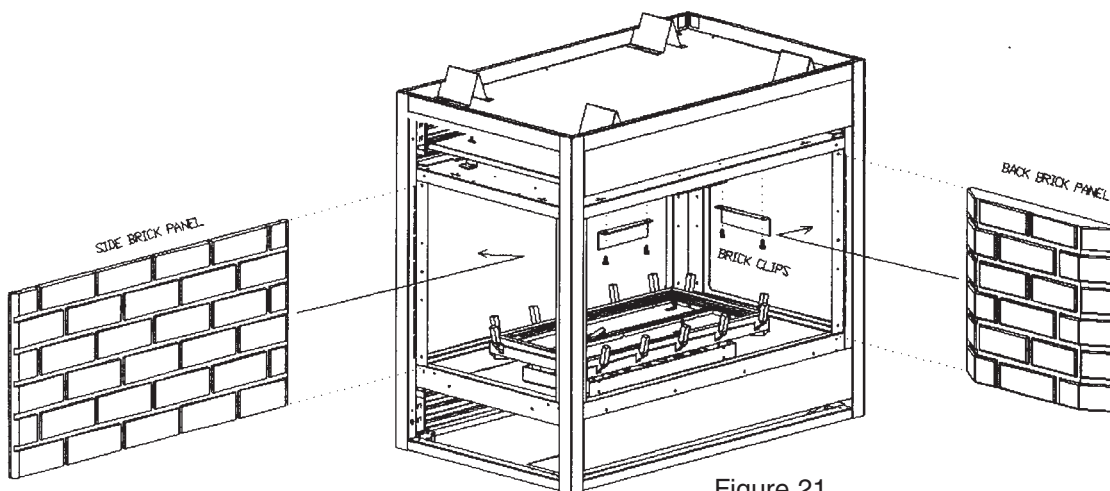


Figure 21

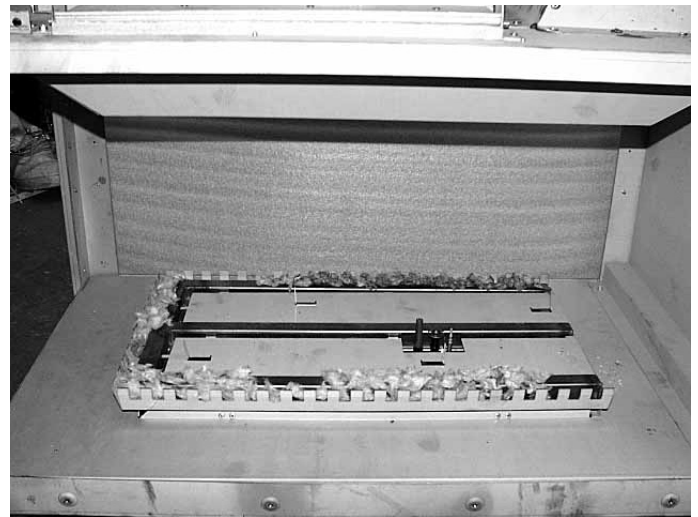
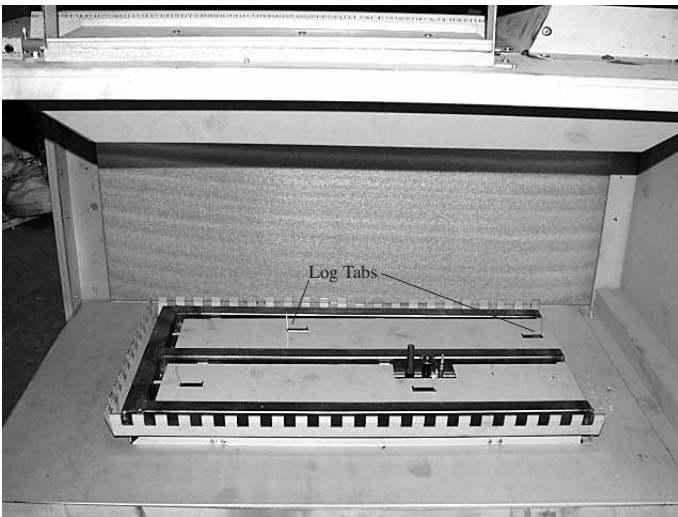
NOTE: BRICK CLIPS CAN BE REPOSITIONED DEPENDING ON TYPE OF INSTALLATION



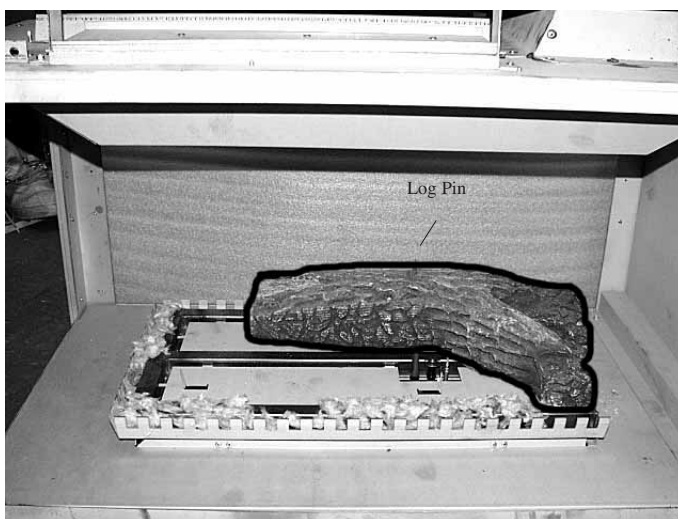
## WARNING

The positioning of the logs is critical for the safe and clean operation of this heater. Sooting and other problems can occur if the logs are not properly and firmly positioned in the heater. Never add additional logs or embellishments such as pine cones, vermiculite, volcanic rock or rock wool to the heater.

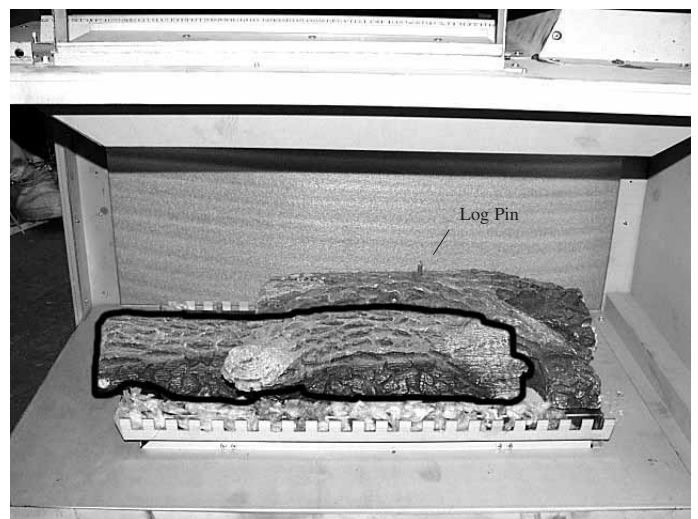
# LOGF38 PLACEMENT FOR MVFB4040 BURNER SYSTEM



**Step (1)** If using the MVF40 chassis, omit this step (go to step 2). If using MDV30 or MDV38, break glowing embers into thumbnail size and place along the perimeter of the burner. Do not place on middle burner (as illustrated). Care should be taken not to block burner ports.

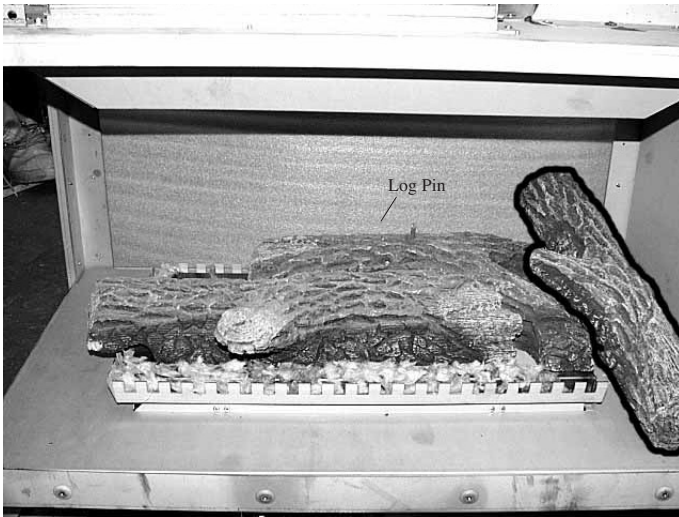


**Step (2)** Take Log #4 and place onto burner using the two log tabs (located on burner pan) as a guide.

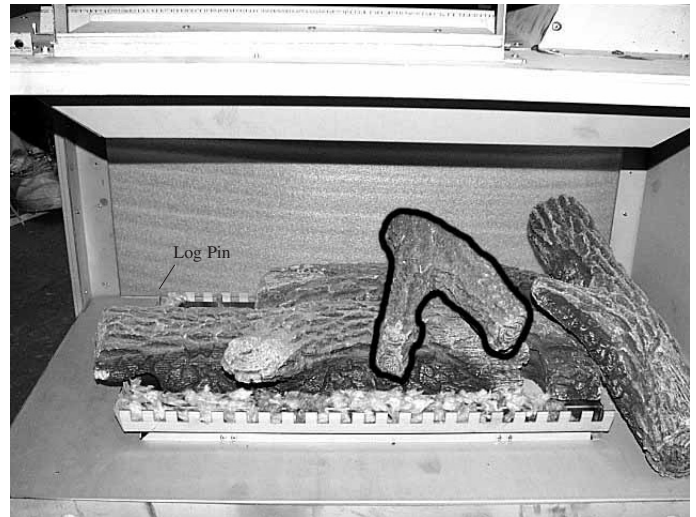


**Step (3)** Take Log #1 and place onto burner using the two log tabs (located on burner pan) as a guide.

# LOGF38 PLACEMENT FOR MVFB4040 BURNER SYSTEM



**Step (4)** Place Log #5 onto Log #4 using the log pin as a guide. Ensure Log #5 rests on the shape of Log #4.



**Step (5)** Place Log #3 onto both Log #1 and Log #5 using the log pins as a guide.



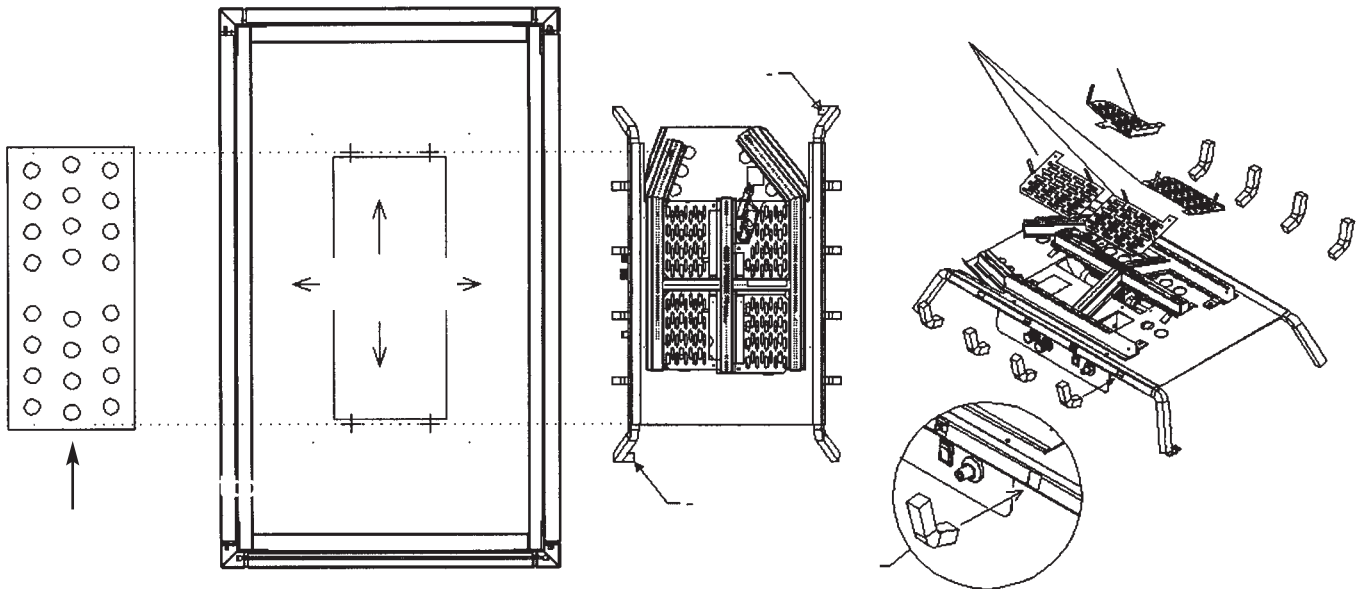
**Step (6)** Place Log #2 onto both Log #1 and #4 using the log pins as a guide. Ensure Log #2 does not cover burner.

# INSTALLING – GLMVF40 Burner System

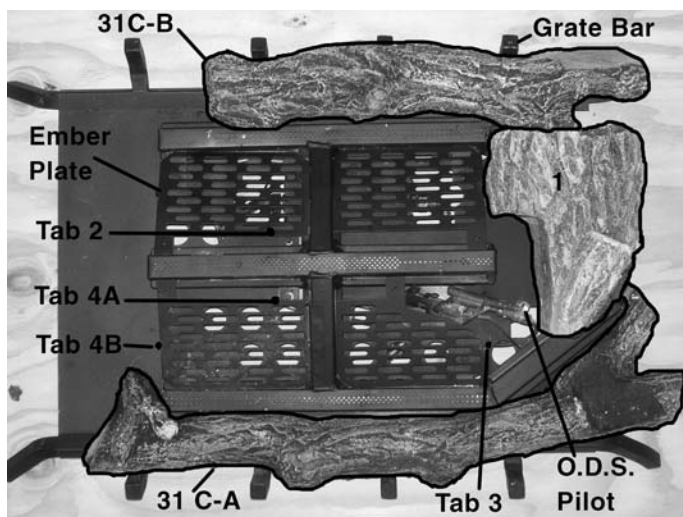
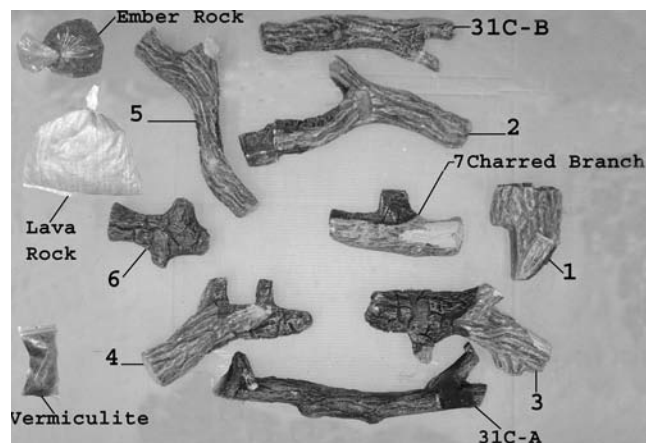
**Warning:** Failure to position parts in accordance with these diagrams or failure to use only part specifically approved with this heater may result in property damages or personal injury.

1. Install Optional Brick Liners before installing GLVF40 Burner system.
2. Remove the Universal Burner Bottom before installing Kingsman Multiview Burner system by removing 4 screws.
3. Position burner assembly as per unit configuration. Front of Gas Valve should always be accessible after installation.
4. Tilt burner assembly so valve is at an angle to the Fireplace and lower into position.
5. Center Burner assembly inside Fireplace and fasten with 2 supplied screws.
6. Place 8 Grate Bars into Burner System by sliding them into square openings.

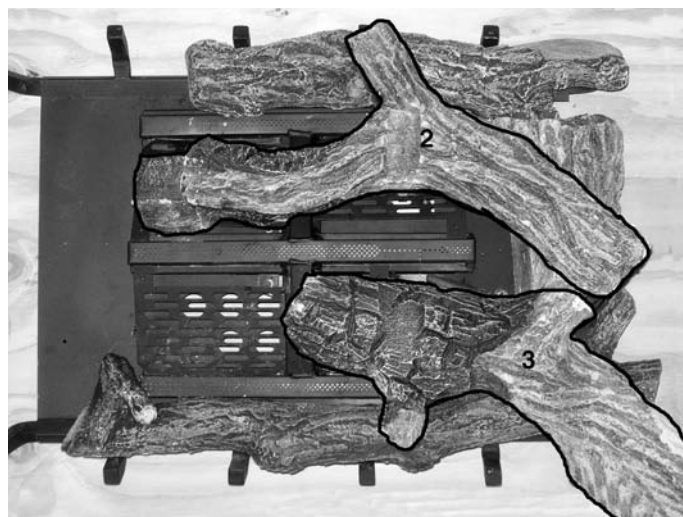
**NOTE:** After installation of Burner, make sure Log support plates are still in their proper position.



# LOGC31 PLACEMENT for GLMVF40 BURNER GRATE



**Step (1)** Place notched area of Log #1 against the O.D.S. Pilot as shown. Place Log31C-A and Log31C-B along the grate bar as shown.



**Step (2)** Place flat area of Log #2 against Tab 2 and over top of Log #1. Locate log mounting hole on Log #3. Position hole on Tab 3 as shown. Do not place log over the center burner tube.

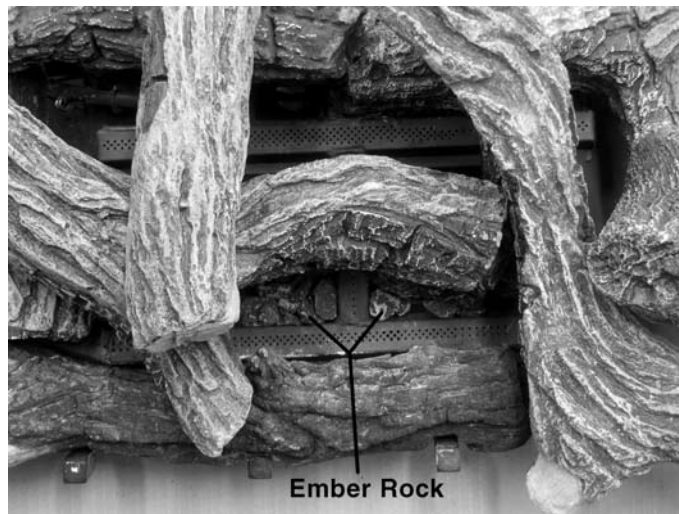
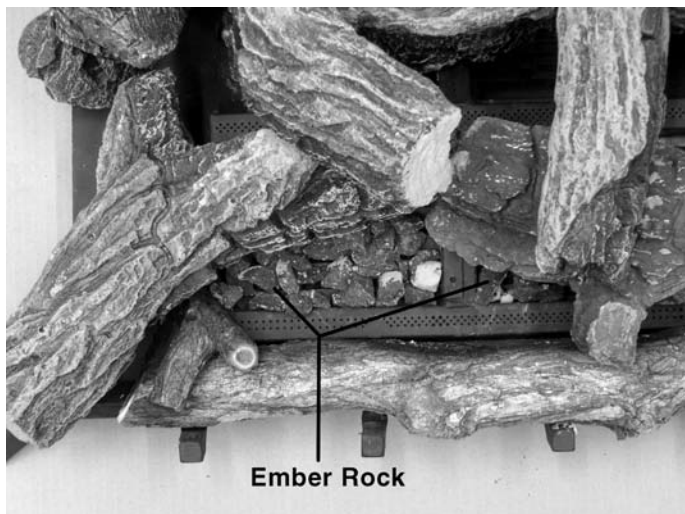


**Step (3)** Locate the 2 mounting holes on the bottom of Log #4 and position them onto Tabs 4A and 4B. Place V area of Log #5 on the grate bar and then rest Log #5 on the flat area of Log #2.

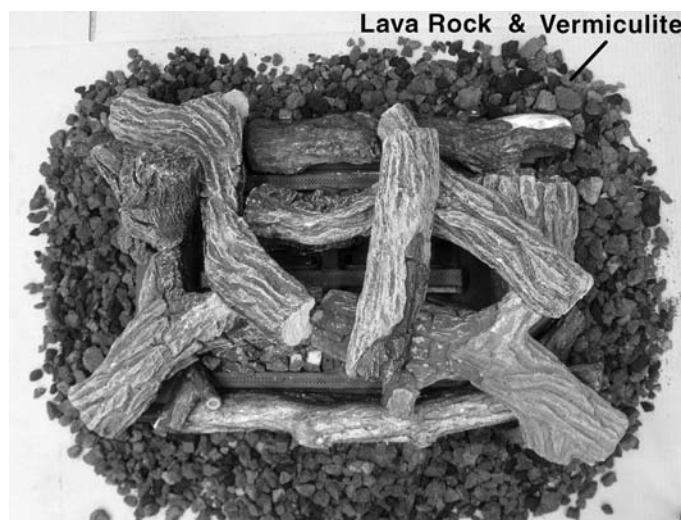


**Step (4)** Place the flat area of Log #6 on the burner pan. Lean against Logs #4 and #5. Locate flat notched areas of Log #2 and Log #3. Place Log #7 onto these with charred branch in the down position.

# LOGC31 PLACEMENT for GLMVF40 BURNER GRATE



**Step (5)** Place ember rocks on ember plates. (Warning: Do not place ember rocks on the burner tubes).



**Step (6)** Place lava rock on the bottom of the fire box surrounding the burner system. Sprinkle vermiculite over top of the Lava Rock.



# MILLIVOLT LIGHTING INSTRUCTIONS



## FOR YOUR SAFETY READ BEFORE LIGHTING

**WARNING: If you do not follow these instructions exactly, a fire or explosion may result causing property damage, personal injury or loss of life.**

### BEFORE LIGHTING

- A** This appliance has a pilot which must be lighted by hand. When lighting the pilot, follow these instructions exactly.
- B** Smell all around the appliance area for gas. Be sure to smell next to the floor because some gas is heavier than air and will settle on the floor.
- WHAT TO DO IF YOU SMELL GAS**
- Do not try to light an appliance.
  - Do not touch any electrical switch; do not use any phone in your building.
  - Immediately call your gas supplier from a neighbour's phone. Follow the gas supplier's instructions.
- If you cannot reach your gas supplier, call the fire department.
- C** Use only your hand to push or turn the gas control knob. Never use tools. If the knob will not push in or turn by hand, don't try to repair it, call a qualified technician. Force or attempted repair may result in a fire or explosion.
- D** Do not use this appliance if any part has been under water. Immediately call a qualified service technician to inspect the appliance and to replace any part of the control system which has been under water.

## LIGHTING INSTRUCTIONS

1. Stop! Read the safety information above on this label.
2. Set the thermostat to lowest setting.
3. Turn off all electrical power to the appliance.
4. Locate valve under the burner assembly.
5. If the control knob is not already in the off position, ie. the word "OFF" in the 9 o'clock position, then push in the gas control knob slightly and turn  clockwise to "OFF".  
NOTE: Knob cannot be turned from "PILOT" to "OFF" unless knob is pushed in slightly. Do not use force.
6. Wait five (5) minutes to clear out any gas. If you then smell gas. STOP! Follow "B" in the safety information above on this label. If you don't smell gas then go to the next step.
7. Now push in the control knob slightly and turn counter-clockwise  to the "PILOT" position.
8. Push in the control knob all the way and hold it. With the other hand push in the red ignitor button until you hear a click. Now observe closely the pilot burner located on the rear center-left hand side of the main burner. If a flame has appeared then continue to depress the control knob for 20 seconds. If the flame did not appear then continue to depress the red ignitor button every 5 seconds until a flame is established. NOTE: If after 30 seconds a flame has not yet been established then turn the control knob back to the off position and repeat steps 5, 6 & 7.
9. Once the pilot has been established hold the control knob in the depressed position for approximately 25 seconds before releasing. If the flame goes out then repeat steps 7 and 8.
10. Now turn the control knob to the "ON" position. The burner will not light unless the wall switch thermostat or remote control is turned "ON" or in the case of the thermostat there is a call for heat.
11. Close the access door and turn all electric power back to the appliance.

## TO TURN OFF THE APPLIANCE

1. Set the thermostat to lowest setting.
2. Turn off all electric power to the appliance if service is to be performed.
3. Open the control access door.
4. Push in the gas control knob slightly and turn clockwise  to the "OFF" position. Do not force.
5. Replace control access panel.



## CAUTION

Do not wire 120 Volt power to Millivolt switches or thermostats.

# INSTALLING – Screen Door, Shield + Hood

## Hinged grill

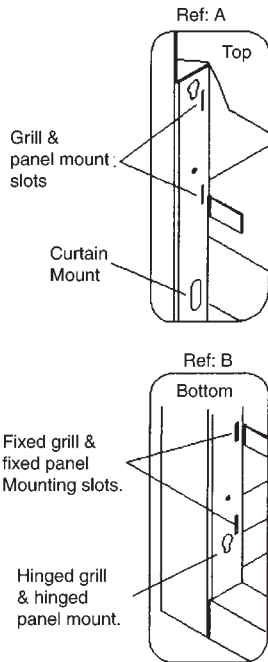
1. In the bottom inside corner of post there are Teardrop slots. As shown in Ref: B.
2. On the Grill there are screws in both ends. To install, slide the head into one of the teardrop slots, then slide Grill to opposite side. These screws may have to be adjusted for proper alignment, and length.
3. Install 2 springs on both ends of grill. Refer to Ref: C. for proper installation.

## Hinged bottom panel

1. Ref:E Install two 8-32 x 1/2" screws and nuts, from the inside of panel with nut to the outside. Tighten one side only.
2. Thread of loose screw should not protrude past face of nut.
3. The end of the panel, with tightened screw can now be slid into teardrop hole Ref: B
4. Align opposite side of panel with teardrop Ref:B and tighten screw.
5. Ref:C for spring installation.

## Fixed grill and panel

1. In both top and bottom inside corners of post there are vertical slots, as shown in Ref: A & B
2. Grills & panels have tabs on both ends. To install slide the tabs into slots on one side of post, top side up (Ref:D)
3. Clip opposite side of flat panel into opposite post. Extra force may be required to push grill or panel over to clip it in. Repeat for other fixed grills and panels.



\*Caution: Brass surround must be installed prior to mounting panels.

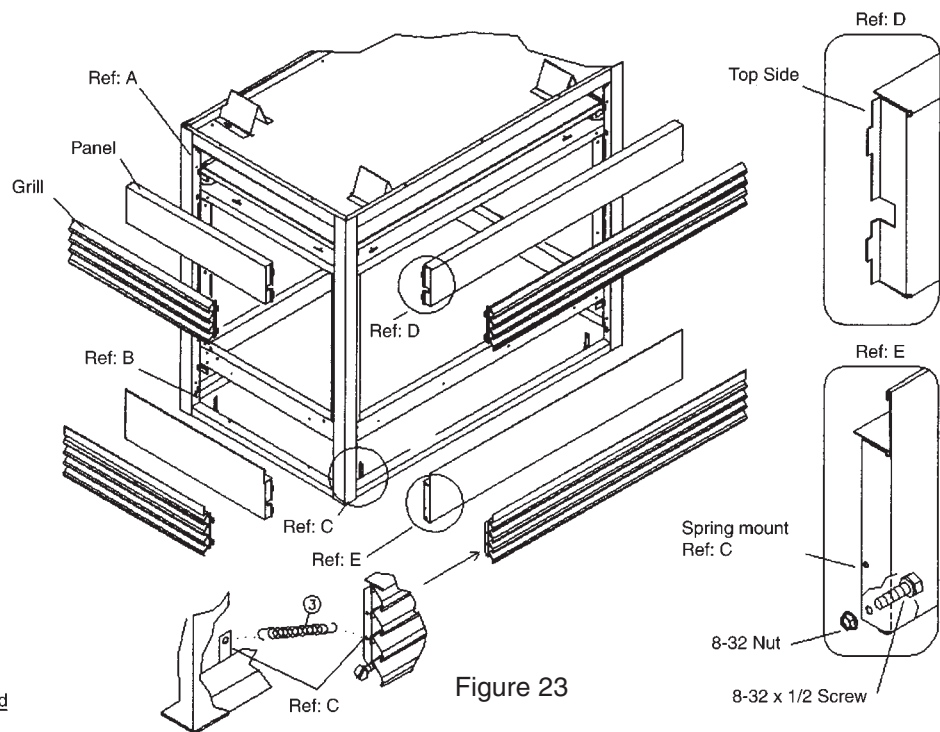


Figure 23

## Curtain & Hood Installation

### Curtain:

1. Slide curtain onto rods.
2. Slide round end of rod into side post Ref:B Using two 1/2" DT screws, mount flattened end of rod to the bottom side of rod hanger brackets Ref:A, Repeat this step for opposite side.
3. Mount curtain rod on short side of fireplace Ref: C. Insert one end into slot on the inside of post, slide it all the way in, then slide back to insert into other side of post.

### Hood

1. Ref:D Loosen pre-installed 1/2" DT screws with 1/4" wrench. Slide slotted area of hood under screws.
2. Tighten screws to finish installation, repeat this step for all hoods if applicable.

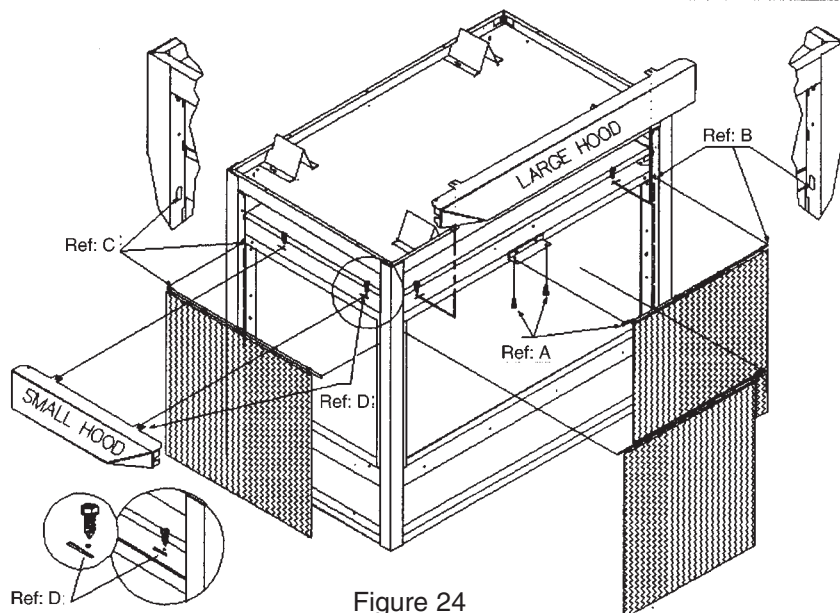


Figure 24

**Warning:** Fireplace screen must be closed while appliance is in operation.

# INSTALLING – Fan Kit

## **! WARNING**

A qualified electrician must connect electrical wiring to junction outlet for built-in installation. **Follow all codes.**

## **! WARNING**

Label all wires prior to disconnection when servicing controls. Wiring errors can cause improper and dangerous operation. Verify proper operation and servicing.

## **! WARNING**

Electrical Grounding Instruction - This appliance is equipped with a three-pronged (grounding) plug for your protection against shock hazard and should be plugged directly into a properly grounded three-prong receptacle.

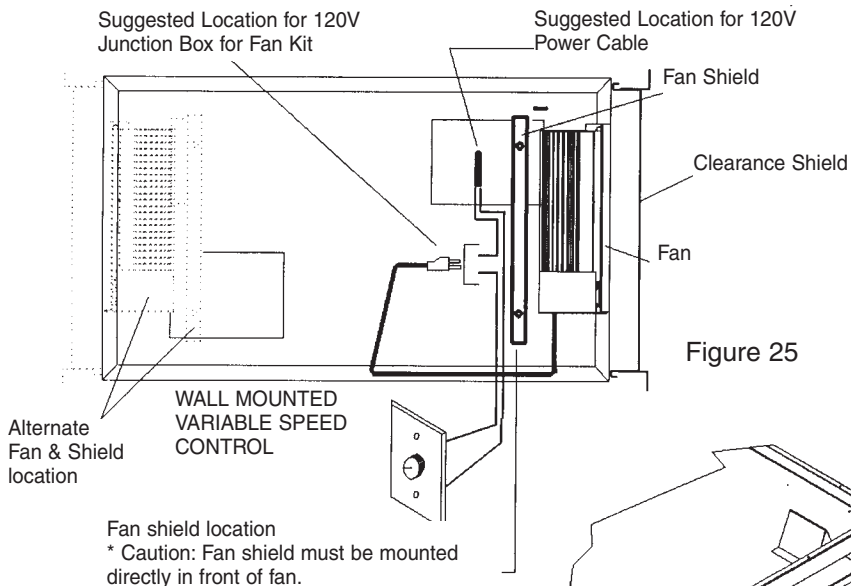
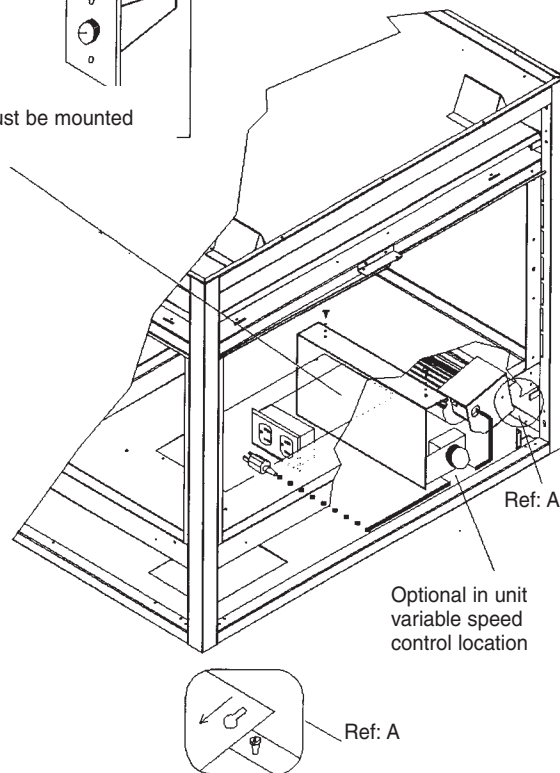


Figure 26

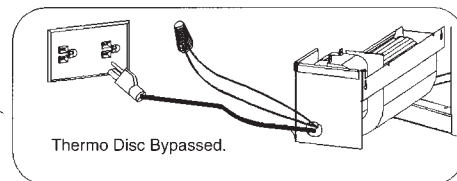


### Installation of Optional Fan Kit

Use Part number Z36FK fan assembly. NOTE that the thermodisc will not be used, bypass these two wires by stripping the ends and tie together with a marrette (as shown Fig. 27).

Blower fan sensor bypassed.

Figure 27



### Fan Installation

1. To install fan locate #8 screws in bottom of fireplace Ref A. Fan and fan shield should always be mounted at the end of the fireplace with the small clearance shield mounted (corner kit peninsula kit & see-through kit)
2. Slide teardrop hole on fan housing over the two #8 screws, slide fan away from screws and release.

### Fan Shield installation

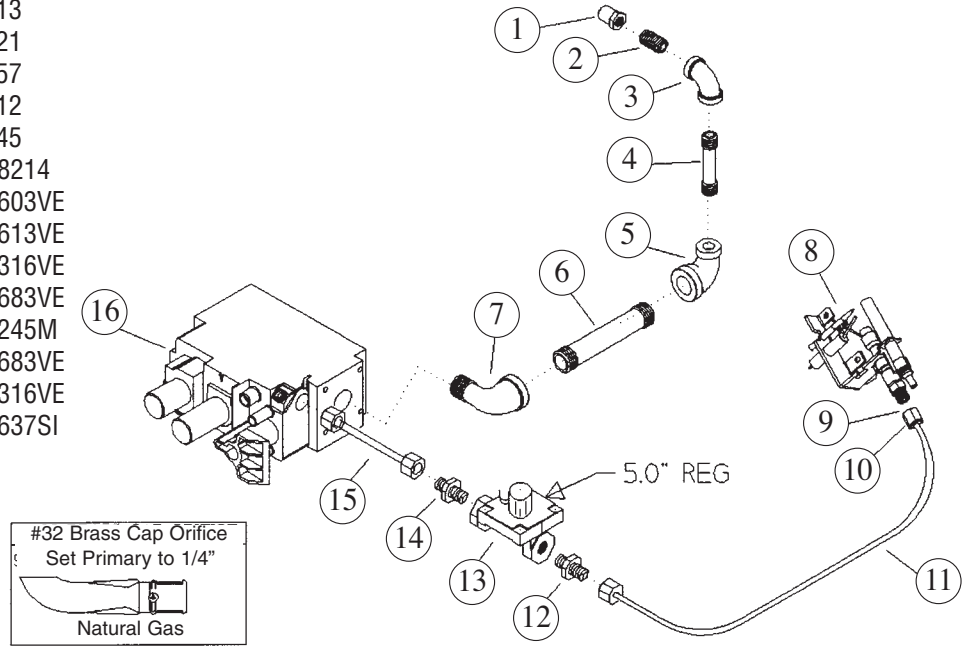
1. Slide shield under firebox nearest fan.
2. Install two 1/2" DT screws from inside of firebox into fan shield.
3. If fireplace has been installed with fan shield mounted opposite to the side with clearance shield. It must be removed and installed on the appropriate side.

# ILLUSTRATED PARTS LIST

## MVFB 4040MVN - (LEFT OR RIGHT) PARTS LIST

Natural Gas

Ref#	Description	Qty:	Part #
1	Brass Cap Orifice	1	1000-255
2	Brass Nipple 1/8 x 1	1	1000-253
3	ELBOW 1/8"	1	2000-213
4	MP NIPPLE 1/8 X 2.0	1	3000-921
5	Reducing Elbow 1/8 x 3/8	1	1000-257
6	Nipple 3/8 x 3.5	1	1000-212
7	Street Elbow 3/8	1	1000-245
8	COS Pilot NG	1	33VF-P8214
9	Compression Sleeve	1	33VF-P603VE
10	Compression Nut	1	33VF-P613VE
11	ALT TUBE 3/16 X 11.5	1	33VF-P316VE
12	Connector	1	33VF-P683VE
13	Regulator	1	33VF-P245M
14	Connector	1	33VF-P683VE
15	Alt Tube 3/16 x 3	1	33VF-P316VE
16	COS Valve 820 Nova NG	1	33VF-P637SI

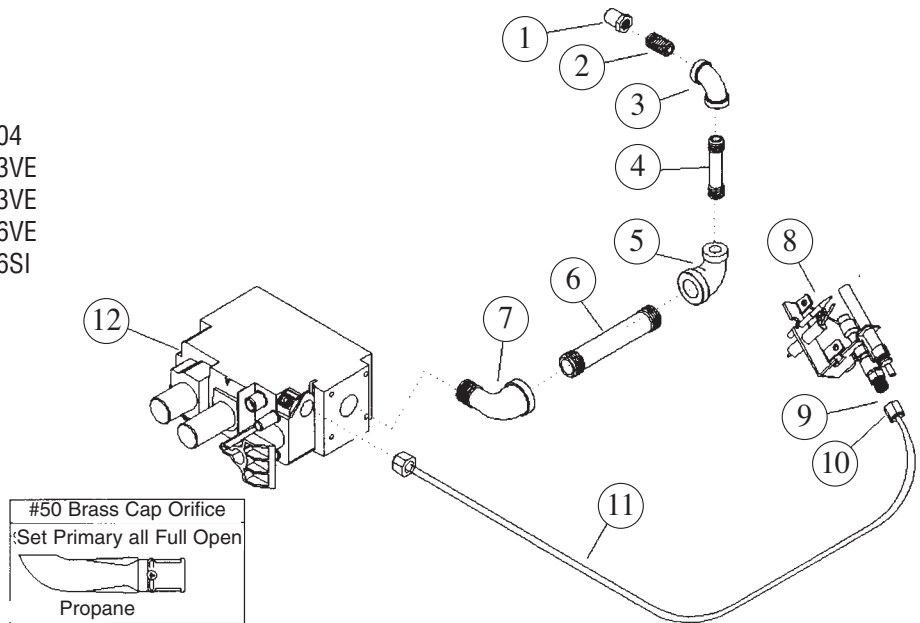


#32 Brass Cap Orifice  
Set Primary to 1/4"  
Natural Gas

## MVFB 4040MVP - (LEFT OR RIGHT) PARTS LIST

Liquid Propane

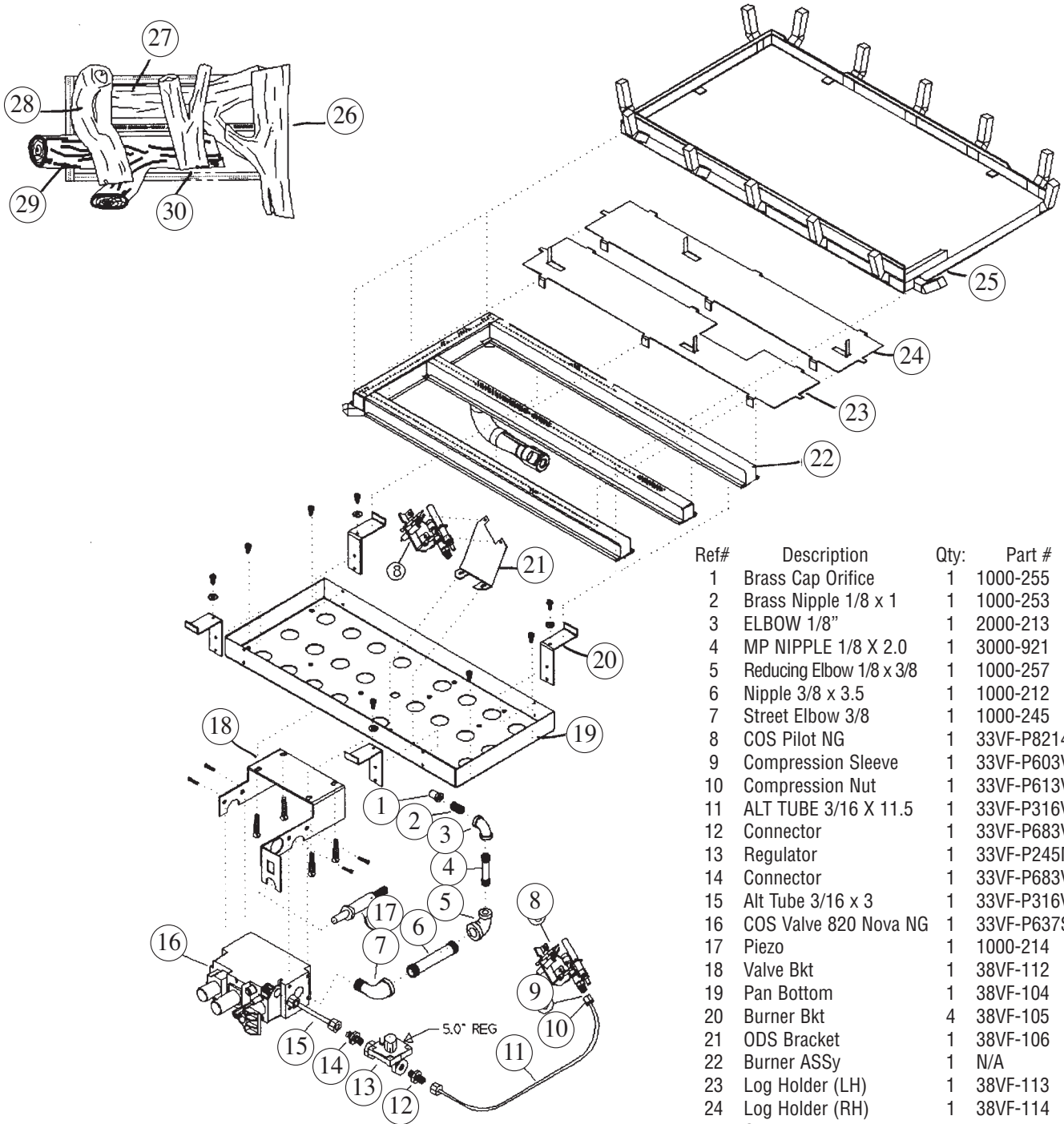
Ref#	Description	Qty:	Part #
1	Brass Cap Orifice	1	1000-255
2	Brass Nipple 1/8 x 1	1	1000-253
3	Elbow 1/8"	1	2000-213
4	MP Nipple 1/8 X 2.0	1	3000-921
5	Reducing Elbow 1/8 x 3/8	1	1000-257
6	Nipple 3/8 x 3.5	1	1000-212
7	Street Elbow 3/8	1	1000-245
8	COS Pilot LP	1	33VF-P8404
9	Compression Sleeve	1	33VF-P603VE
10	Compression Nut	1	33VF-P613VE
11	Alt Tube 3/16 X 16.5	1	33VF-P316VE
12	COS Valve 820 Nova NG	1	33VF-P636SI



#50 Brass Cap Orifice  
Set Primary all Full Open  
Propane

# ILLUSTRATED PARTS LIST Cont.

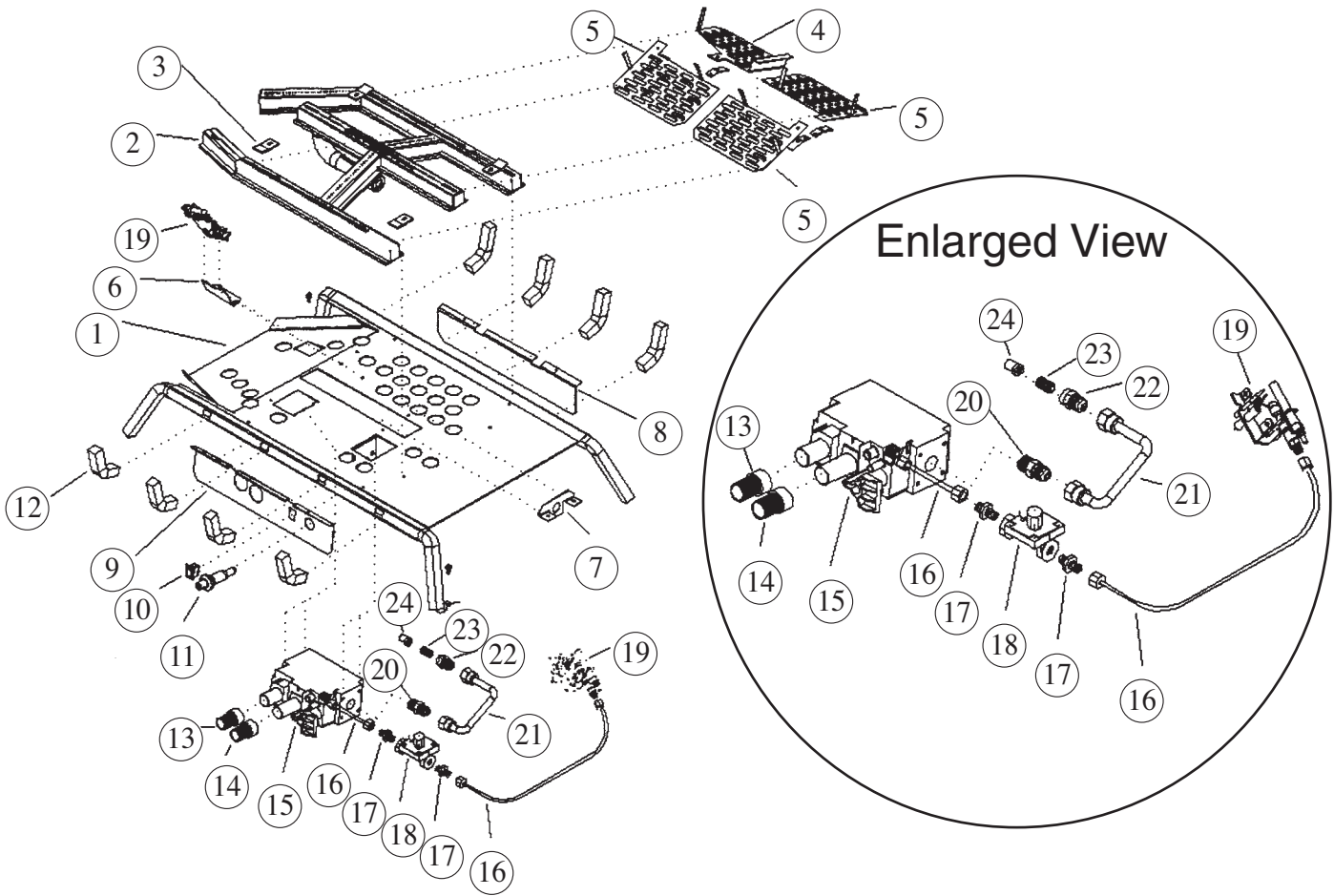
## MVF 40 BURNER ASSEMBLY



Ref#	Description	Qty:	Part #
1	Brass Cap Orifice	1	1000-255
2	Brass Nipple 1/8 x 1	1	1000-253
3	ELBOW 1/8"	1	2000-213
4	MP NIPPLE 1/8 X 2.0	1	3000-921
5	Reducing Elbow 1/8 x 3/8	1	1000-257
6	Nipple 3/8 x 3.5	1	1000-212
7	Street Elbow 3/8	1	1000-245
8	COS Pilot NG	1	33VF-P8214
9	Compression Sleeve	1	33VF-P603VE
10	Compression Nut	1	33VF-P613VE
11	ALT TUBE 3/16 X 11.5	1	33VF-P316VE
12	Connector	1	33VF-P683VE
13	Regulator	1	33VF-P245M
14	Connector	1	33VF-P683VE
15	Alt Tube 3/16 x 3	1	33VF-P316VE
16	COS Valve 820 Nova NG	1	33VF-P637SI
17	Piezo	1	1000-214
18	Valve Bkt	1	38VF-112
19	Pan Bottom	1	38VF-104
20	Burner Bkt	4	38VF-105
21	ODS Bracket	1	38VF-106
22	Burner ASSy	1	N/A
23	Log Holder (LH)	1	38VF-113
24	Log Holder (RH)	1	38VF-114
25	Grate Assembly	1	N/A
26	Log #5		
27	Log #4		
28	Log#2		
29	Log #1		
30	Log #3		

Natural Gas System Shown

# GLMVF40 ILLUSTRATED PARTS LIST



ITEM NO.	QTY.	PART NO. (NG)	PART NO. (LP)	DESCRIPTION
1	1	40GL-PAN	40GL-PAN	Burner Pan
2	1	40GL-BRN	40GL-BRN	Burner Assembly
3	4	4200-132	4200-132	Burner Hold Down
4	1	39GL-107	39GL-107	ODS Log Support Plate
5	3	39GL-117	39GL-117	Log Support Plate
6	1	39GL-108	39GL-108	ODS Pilot Burner
7	1	39GL-104	39GL-104	Orifice Bracket
8	1	39GL-112	39GL-112	Base Cover
9	1	39GL-102	39GL-102	Control Panel
10	1	1000-216	1000-216	Rocker Switch
11a	1	1000-214	1000-214	Piezo igniter
11b	1	1000-215	1000-215	Pal Nut for Piezo igniter
12	8	39GL-105	39GL-105	Grate Bar
13	1	350-P217SI	350-P217SI	1 1/2" On/Off Extension Knob
14	1	350-P218SI	350-P218SI	1 1/2" Hi/Lo Extension Knob
15	1	33VF-P637SI	33VF-P636SI	Vent free Gas Valve
16	1	33VF-P316VE	33VF-P316VE	Alt Tubing 3/16"
17	2	33VF-P683VE		Connector (Natural Gas Only)
18	1	33VF-P245M		Regulator (Natural Gas Only)
19	1	33VF-P8214	33VF-p8404	ODS Pilot System
20	1	4000-P963VE	4000-P963VE	3/8 Make x 3/8 Flare Adapter
21	1	350-P3875D	350-P3875D	10" - 3/8 Flex Connector
22	1	3100-466PA	3100-466PA	3/8 Flare x 1/8 Fipt Adapter
23	1	1000-253	1000-253	1/8 Closed Nipple
24	1	1000-255 (#32)	1000-255 (#49)	Orifice

# ACCESSORY AND PARTS LIST

## Product No. Description

MVF40 KINGSMAN MULTI-SIDED VENT FREE FIREPLACE:  
Listed for USA as a Universal Firebox

BURNER SYSTEM & LOG SET (REQUIRED FOR MVF40 FIREBOX)	
<b>OPTION 1</b>	
GLMVF40MVN	Vent Free Multiview Burner System – Millivolt Valve 38,000 BTU/HR Natural Gas
GLMVF40MVP	Vent Free Multiview Burner System – Millivolt Valve 30,500 BTU/HR Liquid Propane
LOGC31	Log Set LOGC31 required for GLMVF40 Burner System
<b>OPTION 2</b>	
MVFBR4040MVN	Vent Free Right Burner System – Millivolt Valve 38,000 Natural Gas
MVFBR4040MVP	Vent Free Right Burner System – Millivolt Valve 34,000 Liquid Propane
MVFBL4040MVN	Vent Free Left Burner System – Millivolt Valve 38,000 BTU/HR Natural Gas
MVFBL4040MVP	Vent Free Left Burner System – Millivolt Valve 34,000 BTU/HR Liquid Propane
LOGF38	Log Set required for MVFB40 R/L Burner System

### Choose your View: (Required for each unit)

MVF40CK Corner Kit - One Large Side Open, One Small Side Open  
MVF40SK See-Through Kit - Two Large Sides Open  
MVF40PK Peninsula Kit - Two Large Sides Open, One Small Side Open  
MVF40BK Bay Peninsula Kit - One Large Side Open, Two Small Sides Open  
MVF40IK Island Kit - Four Sides Open

### Choose Grill Kits or Panel Kits: (Required for View Chosen Above)

MGCKBP Grill Kit Corner - Classic Polish Brass (Two Sets)  
MGCKBA Grill Kit Corner - Classic Antique Brass - (Two Sets)  
MGCKBC Grill Kit Corner - Classic Chrome (Two Sets)  
MGCKBL Grill Kit Corner - Black (Two Sets)  
MGCKPB Grill Kit Corner - Polish Brass (Two Sets)  
MGCKAB Grill Kit Corner - Antique Brass (Two Sets)  
MGCKCR Grill Kit Corner - Chrome (Two Sets)  
MVF40PCK Panel Kit for Corner Kit - Black (Two Sets)

MGSKBP Grill Kit See-Through - Classic Polish Brass (Two Sets)  
MGSKBA Grill Kit See-Through - Classic Antique Brass (Two Sets)  
MGSKBC Grill Kit See-Through - Classic Chrome (Two Sets)  
MGSKBL Grill Kit See-Through - Black (Two Sets)  
MGSKPB Grill Kit See-Through - Polish Brass (Two Sets)  
MGSKAB Grill Kit See-Through - Antique Brass (Two Sets)  
MGSKCR Grill Kit See-Through - Chrome (Two Sets)  
MVF40PSK Panel Kit See-Through - Black (Two Sets)

MGPKBP Grill Kit Peninsula - Classic Polish Brass (Three Sets)  
MGPKBA Grill Kit Peninsula - Classic Antique Brass (Three Sets)  
MGPKBC Grill Kit Peninsula - Classic Chrome (Three Sets)  
MGPKBL Grill Kit Peninsula - Black (Three Sets)  
MGPKPB Grill Kit Peninsula - Polish Brass (Three Sets)  
MGPKAB Grill Kit Peninsula - Antique Brass (Three Sets)  
MGPKCR Grill Kit Peninsula - Chrome (Three Sets)  
MVF40PPK Panel Kit Peninsula - Black (Three Sets)

## ACCESSORY AND PARTS LIST (CONT.)

MGBKBP Grill Kit Bay Peninsula - Classic Polish Brass (Three Sets)  
 MGBKBA Grill Kit Bay Peninsula - Classic Antique Brass (Three Sets)  
 MGBKBC Grill Kit Bay Peninsula - Classic Chrome (Three Sets)  
 MGBKBL Grill Kit Bay Peninsula - Black (Three Sets)  
 MGBKPB Grill Kit Bay Peninsula - Polish Brass (Three Sets)  
 MGBKAB Grill Kit Bay Peninsula - Antique Brass (Three Sets)  
 MGBKCR Grill Kit Bay Peninsula - Chrome (Three Sets)  
 MVF40PBK Panel Kit Bay Peninsula Kit - Black (Three Sets)

MGIKBP Grill Kit Island - Classic Polish Brass (Four Sets)  
 MGIKBA Grill Kit Island - Classic Antique Brass (Four Sets)  
 MGIKBC Grill Kit Island - Classic Chrome (Four Sets)  
 MGIKBL Grill Kit Island - Black (Four Sets)  
 MGIKPB Grill Kit Island - Polish Brass (Four Sets)  
 MGIKAB Grill Kit Island - Antique Brass (Four Sets)  
 MGIKCR Grill Kit Island - Chrome (Four Sets)  
 MVF40PIK Panel Kit Island Kit - Black (Four Sets)

### ACCESSORIES OPTIONAL

Z36SAB Surround - Antique Brass (Coverage Old Style 33 3/4" H x 39 7/8" W)  
 Z36SCR Surround - Chrome (Coverage New Style 34 1/2" H x 41 1/8" W)  
 Z36SPB Surround - Polish Brass (Coverage New Style 34 1/2" H x 41 1/8" W)  
**Z36SLAB** Surround Slim Line - Antique Brass (Coverage 34 1/4" H x 37 1/2" W)  
**Z36SLCR** Surround Slim Line - Chrome (Coverage 34 1/4" H x 37 1/2" W)  
**Z36SLPB** Surround Slim Line - Polish Brass (Coverage 34 1/4" H x 37 1/2" W)  
**Z36SLBL** Surround Slim Line - Gun Metal Black (Coverage 34 1/4" H x 37 1/2" W)

ZVF36DS Door Frame - c/w Fixed Screen  
 ZVF40SDS Door Frame Small - c/w Fixed Screen

Z36FK Fan Kit w/Variable Speed Wall Mount Control (Temperature Sensing)  
 Z1MT Thermostat Millivolt Wall Mount  
 Z80PT Thermostat Programmable Digital Millivolt Wall Mount (1F80-40)  
 Z1RC Remote Control Millivolt (On/Off with LED) (Model I)  
 ZART Remote Control Thermostat Millivolt (Model K)  
 RMCBN Remote Control - Basic - Natural Gas (On/Off, Hi/Lo Flame Adjustment, Millivolt Only)  
 RMCBP Remote Control - Basic - Liquid Propane (On/Off, Hi/Lo Flame Adjustment, Millivolt Only)  
**DCHS** Remote Control Heatshield



## TROUBLESHOOTING

## WARNING

**NOTE:** all troubleshooting items are listed in order of operation.

Turn off and let cool before servicing. Only a qualified service person should service and repair heater.

### **When igniter button is pressed, there is no spark at ODS/Pilot.**

#### *Possible Cause*

1. igniter electrode positioned wrong.
2. igniter electrode is broken.
3. igniter electrode not connected to igniter cable.
4. igniter cable pinched or wet.
5. Piezo-igniter nut is loose.
6. Broken igniter cable.
7. Bad piezo-igniter.

#### *Remedy*

1. Replace igniter.
2. Replace igniter.
3. Reconnect igniter cable.
4. Free igniter cable if pinched by any metal or tubing. Keep igniter cable dry.
5. Tighten nut.
6. Replace igniter cable.
7. Replace piezo-igniter.

### **Appliance produces unwanted odors.**

#### *Possible Cause*

1. Appliance burning vapors from paint, hair spray, glues, etc.
2. Gas leak.

#### *Remedy*

1. Ventilate room. Stop using odor-causing products while heater is running
2. Locate and correct all leaks.

### **Appliance shuts off in use.**

#### *Possible Cause*

1. Not enough fresh air is available for ODS/pilot to operate.
2. Low line pressure.
3. ODS/pilot is partially clogged.

#### *Remedy*

1. Open window and/or door ventilation.
2. Contact local gas company.
3. Clean ODS/pilot.

### **Gas odor even when control knob is in OFF position.**

#### *Possible Cause*

1. Gas leak.
2. Control valve defective.

#### *Remedy*

1. Locate and correct all leaks.
2. Replace control valve.

### **When igniter button is pressed, there is a spark at ODS/pilot, but no ignition.**

#### *Possible Cause*

1. Gas supply turned off or manual shutoff valve closed.
2. Control knob not in PILOT position.
3. Control knob not pressed in while in PILOT position.
4. Air in gas lines when installed.
5. ODS/pilot is clogged.
6. Gas regulator setting is not correct.

#### *Remedy*

1. Turn on gas supply or open manual shutoff valve.
2. Turn control knob while in PILOT position.
3. Press control knob in while in PILOT position.
4. Continue holding down control knob. Repeat igniting operation until air is removed.
5. Replace ODS/pilot assembly or get it serviced.
6. Replace gas regulator.

### **ODS/pilot lights, but flame goes out when control knob is released.**

#### *Possible Cause*

1. Control knob not fully pressed in.
2. Control knob not pressed in long enough.
3. Manual shutoff valve not fully open.
4. Thermocouple connection loose at valve.

#### *Remedy*

1. Press control knob in fully.
2. After ODS/pilot lights, keep control knob pressed in for 30 seconds.
3. Fully open manual shutoff valve.
4. Hand tighten until snug, then tighten ¼ turn more.

# TROUBLESHOOTING Cont.

5. Pilot flame not touching thermocouple, which allows thermocouple to cool, causing pilot flame to go out. Problem could be caused by one or both of the following:
  - A) Low gas pressure
  - B) Dirty or partially clogged ODS/pilot.
6. Thermocouple damaged.
7. Control valve damaged.
5. Contact local gas company.
6. Replace thermocouple
7. Replace control valve.

## **One or both burners do not light after ODS/pilot is lit.**

### *Possible Cause*

1. Burner orifice is clogged.
2. Inlet pressure is too low.

### *Remedy*

1. Clean burner or replace light burner orifice.
2. Contact qualified service person.

## **Delayed ignition of burner.**

### *Possible Cause*

1. Manifold pressure is too low.
2. Burner orifice is clogged.

### *Remedy*

1. Contact local gas company.
2. Clean burner or replace burner orifice.

## **Burner backfiring during combustion.**

### *Possible Cause*

1. Burner orifice is clogged or damaged.
2. Burner is damaged.
3. Gas regulator is defective.

### *Remedy*

1. Clean burner or replace burner orifice.
2. Replace burner.
3. Replace Gas regulator.

## **Slight smoke or odor during initial operation.**

### *Possible Cause*

1. Vapors from paint or curing process of logs.

### *Remedy*

1. Problem will stop after a few hours of operation. Run the heater with the damper open if you have one or open a window for the first few hours.

## **Log appears to smoke (after initial operation).**

### *Possible Cause*

1. Vapors from paint or curing process of logs.

### *Remedy*

1. Log heater is intended to be smokeless. Turn off heater and call qualified service person.

## **Heater produces a whistling noise when burner is lit.**

### *Possible Cause*

1. Turning control knob to HI position when burner is cold.
2. Air in gas line.
3. Dirty or partially clogged burner orifice.

### *Remedy*

1. Turn control knob to LO position and let warm up for a minute
2. Operate burner until air is removed from line. Have gas line checked by local gas company.
3. Clean burner or replace burner orifice.

## **No Gas to pilot.**

### *Possible Cause*

1. LP regulator shut down due to inlet pressure being too high

### *Remedy*

1. Verify LP tank regulator is installed and set at 11 to 13 inches w.c.
2. Replace LP regulator on heater.



## LIMITED LIFETIME WARRANTY

This Limited Lifetime Warranty applies only while the unit remains at the site of the original installation and only if the unit is installed inside the continental United States, Alaska, Hawaii, and Canada. The warranty applies only if the unit is installed and operated in accordance with the printed instructions and in compliance with applicable installation and building codes and good trade practices.

### BASIC ONE YEAR WARRANTY

During the first year after installation, we will provide a replacement for any component part of your unit found to be defective in materials or workmanship, including labour costs. Repair work requires prior approval by Kingsman, labour costs are based on a predetermined rate schedule and any repair work must be done through an authorized Kingsman dealer.

### LIMITED LIFETIME WARRANTY

The heat exchanger, combustion chamber and burner of every Kingsman product excluding the Outdoor Firepit are warranted against materials or workmanship during the period the product is owned by the original owner. The part to be replaced must be returned to our distributor in exchange for the replacement part. Any labor, material, freight and/or handling charges associated with any repair or replacement pursuant to this Limited Lifetime Warranty will not be covered by this warranty.

### GENERAL TERMS

In lieu of providing a replacement part, we may, at our option, provide the distributor's component purchase price from us or a credit equal to the distributors component purchase price from us toward the purchase of any new unit which we distribute. If a credit is given in lieu of a replacement part, the rating plate from the unit being replaced must be submitted on a warranty claim, and the unit being replaced must be made available to our distributor for disposition.

In establishing the date of installation for any purpose, including determination of the starting date for the term of this Limited Lifetime Warranty, reasonable proof of the original installation date must be presented\*, otherwise the effective date will be based upon the date of manufacture plus thirty (30) days.

We will not be responsible for and you, the user, will pay for: (a) damages caused by accident, abuse, negligence, misuse, riot, fire, flood, or Acts of God (b) damages caused by operating the unit where there is a corrosive atmosphere containing chlorine, fluorine, or any other damaging chemicals (other than in a normal residential environment) (c) damages caused by any unauthorized alteration or repair of the unit affecting its stability or performance (d) damages caused by improper matching or application of the unit or the unit's components (e) damages caused by failing to provide proper maintenance and service to the unit (f) any expenses incurred for erecting, disconnecting or dismantling the unit (g) parts or supplies used in connection with service or maintenance (h) damage repairs, inoperation or inefficiency resulting from faulty installation or application (i) electricity or fuel costs or any increase in electricity or fuel cost whatsoever including additional or unusual use of supplemental electric heat.

We shall not be liable for any incidental, consequential, or special damages or expenses in connection with any use or failure of this unit. We have not made and do not make any representation or warranty of fitness for a particular use or purpose, and there is no implied condition of fitness for a particular use or purpose. We make no express warranties except as stated in this Limited Lifetime Warranty. No one is authorized to change this Limited Lifetime Warranty or to create for us any other obligation or liability in connections with this unit. Any implied warranties shall last for one year after the original installation. Some states and provinces do not allow the exclusion or limitation of incidental or consequential damages or do not allow limitations on how long an implied warranty or condition lasts, so the above limitations or exclusions may not apply to you. The provisions of this limited warranty are in additions to and not a modification of or subtraction from any statutory warranties and other rights and remedies provided by law.

Save this certificate. It gives you specific legal rights, and you may also have other rights which may vary from state to state and province to province.

In the event your unit needs servicing, contact your dealer or contractor who installed or serviced your unit. When requesting service, please have the model and serial number from each unit readily available. If your dealer needs assistance, the distributor is available for support and we, in turn support the distributor's efforts.

Fill in the installation date and model and serial numbers of the unit in the space provided below and retain this limited warranty for your files.

**Model No.** \_\_\_\_\_ **Serial No.** \_\_\_\_\_ **Date installed** \_\_\_\_\_

**Dealer or Contractor Name:** \_\_\_\_\_

\*To receive advantage of your warranty, you must retain the original records that can establish the installation date of your unit.