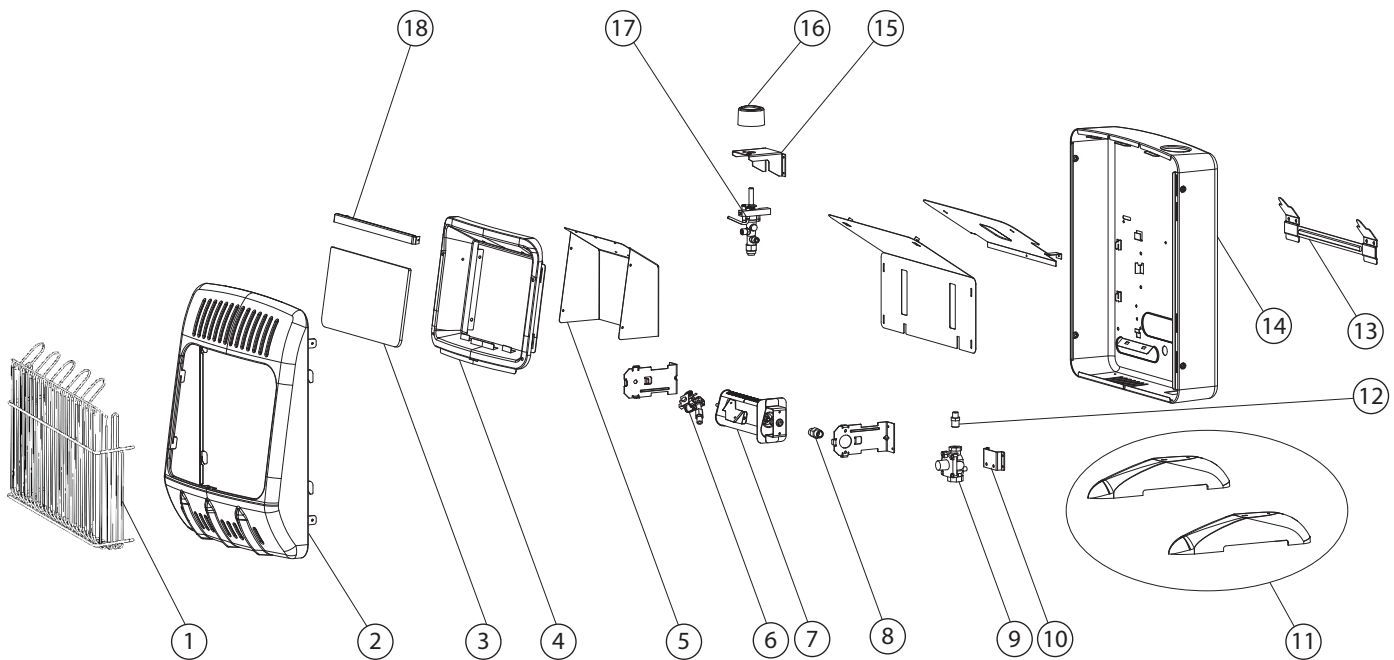


PARTS LIST AND DIAGRAM

MODEL: HSVFBF10LP

ITEM	P/N	PART DESCRIPTION	QTY	ITEM	P/N	PART DESCRIPTION	QTY
1	80121	Wire Guard	1	11	80058	Floor Mouting Feet	1
2	80051	Front Panel	1	12	NA	Regulator Connection	1
3	80038	Glass	1	13	80052	Back Panel	1
4	80024	Reflector	1	14	80036	Wall Mounting Bracket	1
5	80026	Reflector Back Panel	1	15	80005	Valve Bracket	1
6	80056	ODS Pilot Assembly w/ Thermocouple (LP)	1	16	80006	Knob	1
7	80017	Burner Assembly	1	17	80080-LP	Valve	1
8	80009-01	Orifice	1	18	80034	Glass Bracket	1
9	80078	Regulator	1	**	70342	Hardware Kit (not shown)	1
10	80055	Regulator Mounting Bracket	1				

⚠ WARNING: Failure to position the parts in accordance with these diagrams or failure to use only parts specifically approved with this heater may result in property damage or personal injury.



PARTS LIST AND DIAGRAM

MODEL: HSVFRD10LP			
ITEM	P/N	PART DESCRIPTION	QTY
1	80040	Wire Guard	1
2	80051	Front Panel	1
3	80022	Reflector	1
4	80115	Burner Assembly	1
5	80056	ODS Pilot Assembly w/ Thermo-couple (LP)	1
6	80078	Regulator	1
7	80055	Regulator Mounting Bracket	1
8	80058	Floor Mounting Feet	1
9	NA	Regulator Connection	1
10	80036	Wall Mounting Bracket	1
11	80052	Back Panel	1
12	80005	Valve Bracket	1
13	80006	Knob	1
14	80080-LP	Valve	1
**	70342	Hardware Kit (not shown)	1
**	80009-01	Orifice (not shown)	1

WARNING: Failure to position the parts in accordance with these diagrams or failure to use only parts specifically approved with this heater may result in property damage or personal injury.

