

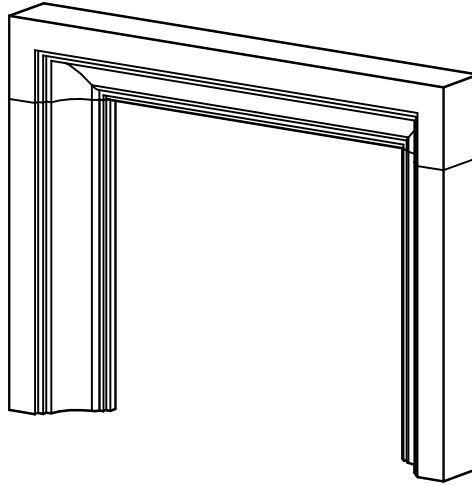


KINDRED®

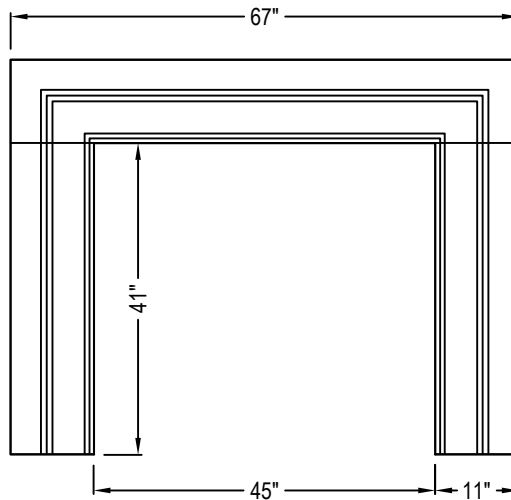
OUTDOORS + SURROUNDS

SELECT DESIRED COLOR AND FINISH:

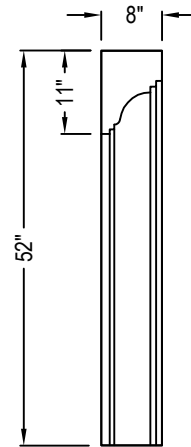
- AGED TEAK HONED
- AGED TEAK TRAVERTINE
- BLACK SAND HONED
- BLACK SAND TRAVERTINE
- OAKED BARREL HONED
- OAKED BARREL TRAVERTINE
- OYSTER SHELL HONED
- OYSTER SHELL TRAVERTINE



ISOMETRIC



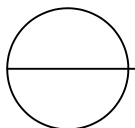
FRONT ELEVATION



SIDE ELEVATION

NOTES:

1. INSTALLATION TO BE COMPLETED IN ACCORDANCE WITH MANUFACTURER'S SPECIFICATIONS.
2. DO NOT SCALE DRAWING.
3. THIS DRAWING IS INTENDED FOR USE BY ARCHITECTS, ENGINEERS, CONTRACTORS, CONSULTANTS AND DESIGN PROFESSIONALS FOR PLANNING PURPOSES ONLY. THIS DRAWING MAY NOT BE USED FOR CONSTRUCTION.
4. ALL INFORMATION CONTAINED HEREIN WAS CURRENT AT THE TIME OF DEVELOPMENT BUT MUST BE REVIEWED AND APPROVED BY THE PRODUCT MANUFACTURER TO BE CONSIDERED ACCURATE.
5. CONTRACTOR'S NOTE: FOR PRODUCT AND COMPANY INFORMATION VISIT www.CADdetails.com/info AND ENTER REFERENCE NUMBER 5128-003



SURROUNDS

THE GIADA (FPS-0073)