

**Superior**  
FIREPLACES®  
*Our name is our promise.*



Our Multi-View models offer several unique designs combining versatile style and built-in value, with the flexibility of Direct Vent or B-Vent configurations.



**FEATURED BELOW**

DRT40ST (See Through)  
with black painted interior

**ON THE COVER**

DRT40ST (See Through)  
with Buff Stacked  
Ceramic Fiber Liner



"The best compliment about our house is that people say it looks like us,  
that it reflects our family."

*Homeowner, SHARON B.*



The Superior® Multi-View Vented Gas Fireplace Series offers several unique designs that create statements of taste in any home. Paradigms of beauty and value, these fireplaces are available in two-sided See Through, Corner\* and three-sided Peninsula configurations.

**Superior**  
FIREPLACES®  
*Our name is our promise.*



\*Custom Series only





FEATURED DRT35ST (See Through) with black painted interior

## INTERIOR

(Optional)



Black Painted Interior  
(standard)



Buff Stacked  
Ceramic Fiber Liner



Optional Touch Remote

## EXCLUSIVE FEATURES

- 🔥 Available in 35" clean-faced see through and peninsula models
- 🔥 Combo top/rear flue configuration for all models
- 🔥 Energy saving electronic ignition
- 🔥 Outstanding heating efficiency for increased comfort and lower operating costs
- 🔥 Standard tempered glass and a protective screen\*
- 🔥 Detailed ceramic fiber "aged oak" log set with 1/2" heavy duty grate
- 🔥 Black painted interior (optional ceramic fiber liner available)
- 🔥 Durable textured powder coat finish
- 🔥 Optional remote control available for all models
- 🔥 20 year limited warranty

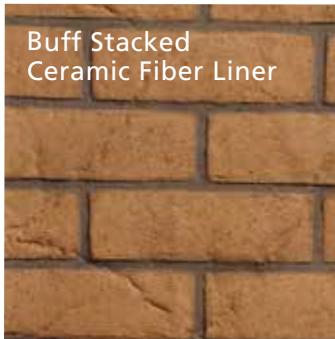
\*All applicable models comply with ANSI Z21.50/88 barrier requirements.



**FEATURED** Ceramic fiber "aged oak" log set with 1/2" heavy-duty grate

**INTERIOR**

**(Optional)**



Optional Touch Remote

**DRT4000/BRT4000 MULTI-VIEW FEATURES**

**DIRECT VENT      B-VENT**

	DIRECT VENT	B-VENT
Listed to Z21.88 Gas Fireplace Heater	🔥	
Listed to Z21.50 Decorative Gas Fireplace		🔥
Available in 40" clean-faced corner, peninsula & see through models	🔥	
Available in 40" clean-faced see through models only		🔥
Combo top/rear flue configuration	🔥	
Top flue configuration		🔥
Millivolt ignition		🔥
Energy saving electronic ignition	🔥	
Pre-wired for wall switch	🔥	🔥
Outstanding heating efficiency for increased comfort and lower operating costs	🔥	
Standard tempered glass and 2015 ANSI barrier compliant	🔥	🔥
Detailed ceramic fiber "aged oak" log set with 1/2" heavy-duty grate	🔥	🔥
Black painted interior (optional ceramic fiber liner available)	🔥	🔥
Durable textured powder coat finish	🔥	🔥
Optional remote control available for all models	🔥	🔥
Uses IHP SV 4-1/2" x 7-1/2" Direct Vent Pipe	🔥	
Uses 6" B-Vent Pipe		🔥
20 year limited warranty	🔥	🔥

**PRO SERIES DIRECT VENT GAS MULTI-VIEW MODELS**

DRT35PF (Peninsula) & DRT35ST (See Through) models



FEATURED DRT35PF (Peninsula) model with Buff Stacked Ceramic Fiber Liner



## CUSTOM SERIES DIRECT VENT & B-VENT GAS MULTI-VIEW MODELS

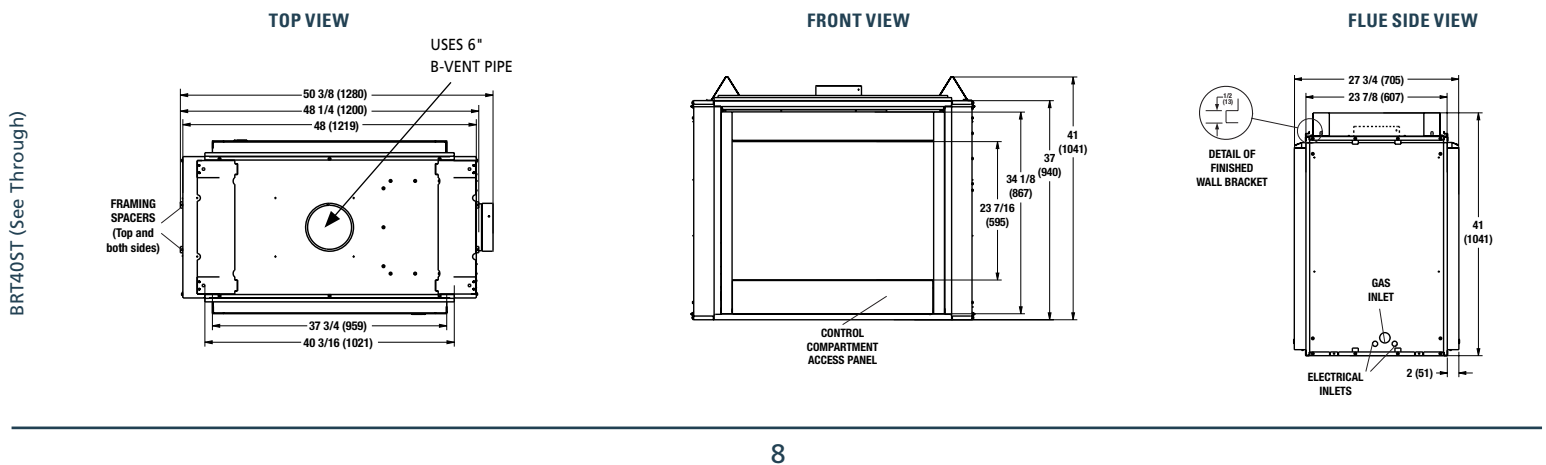
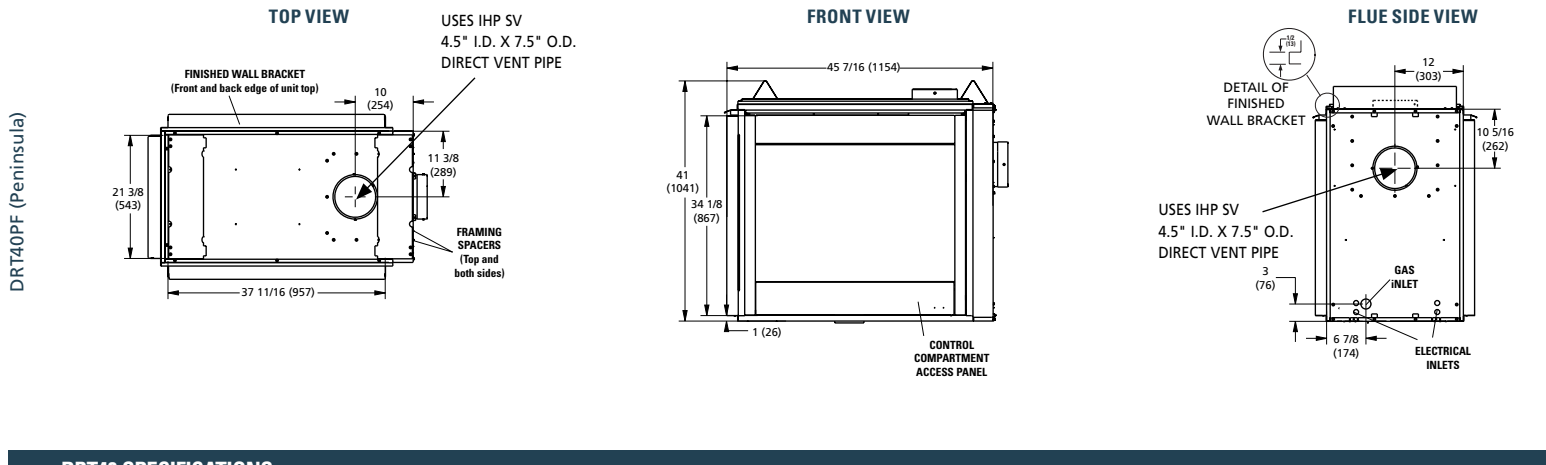
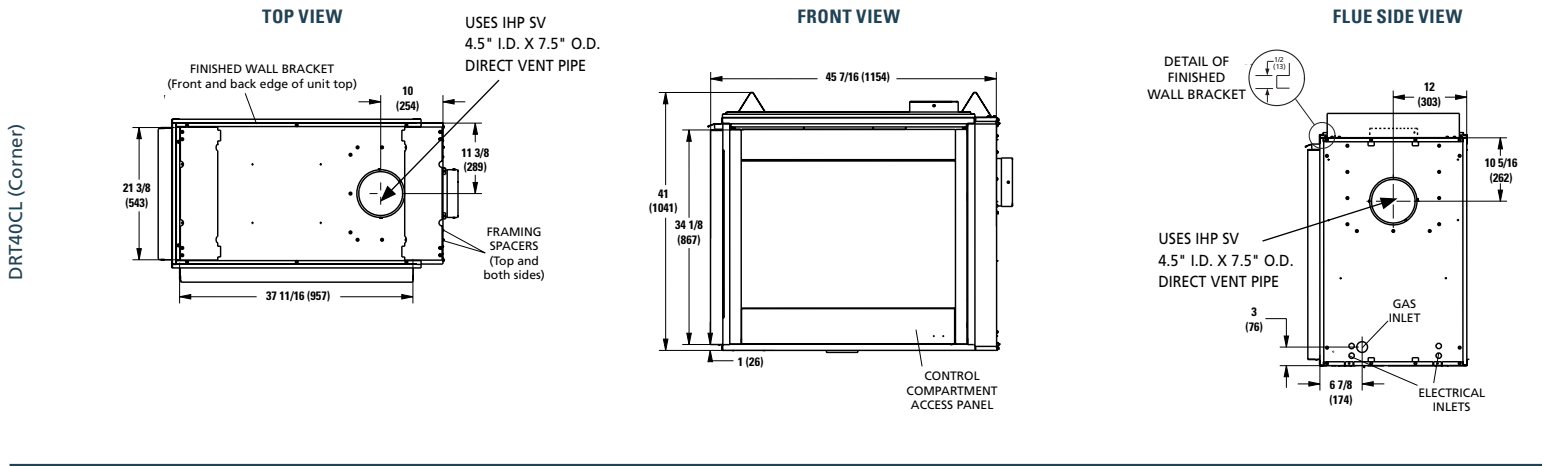
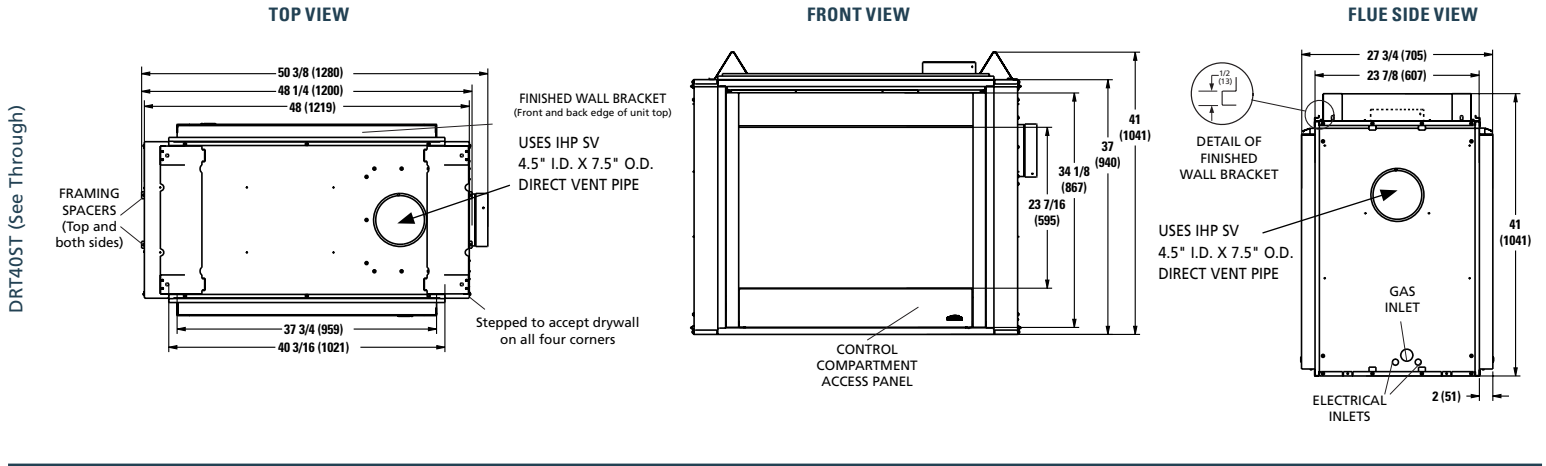
DRT40CR/L (Corner), DRT40PF (Peninsula), DRT40ST (See Through) & BRT40ST (See Through) models



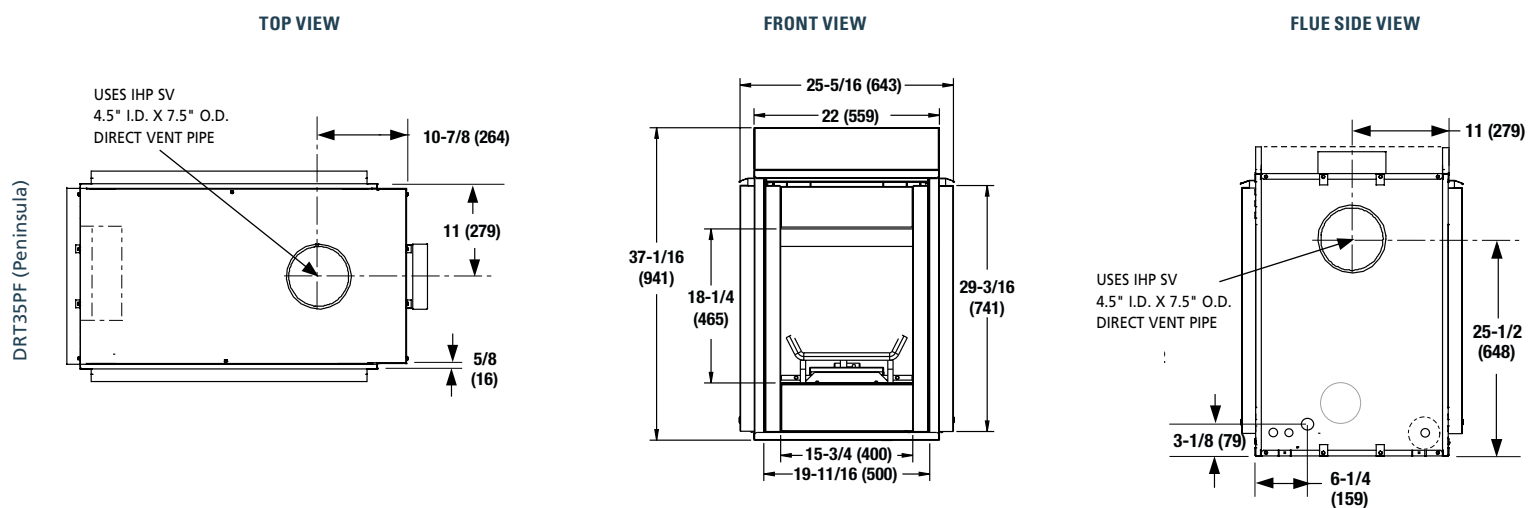
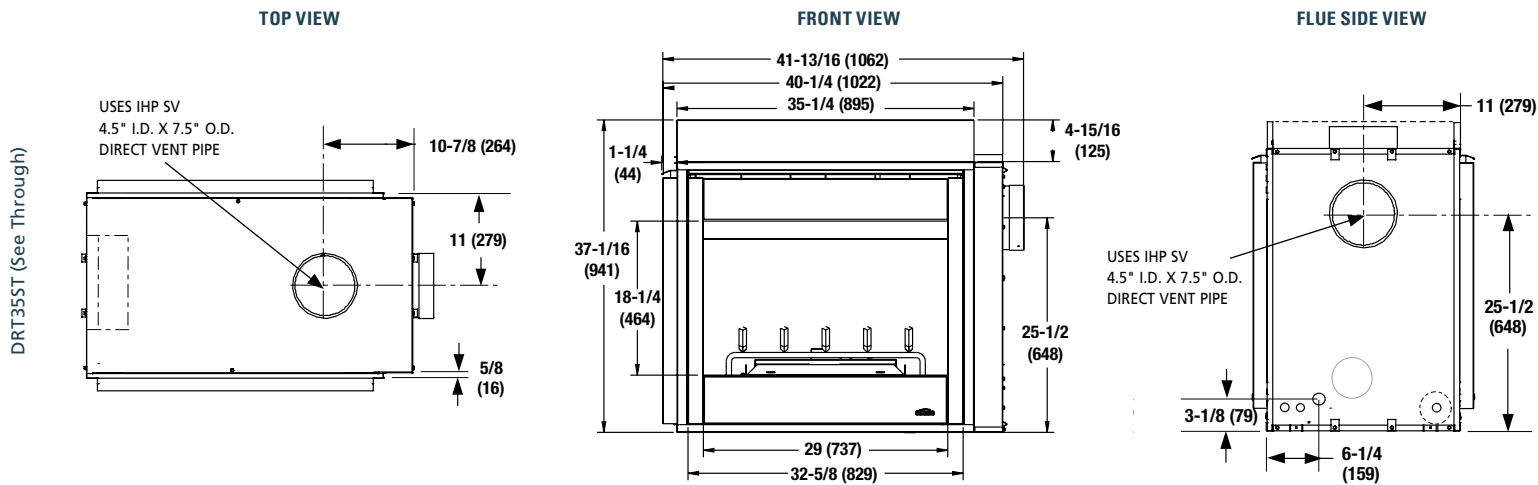
FEATURED DRT40CL (Corner Left) model with Buff Stacked Ceramic Fiber Liner



FEATURED DRT40PF (Peninsula) with black painted interior







**DRT40 MULTI-VIEW FIREPLACE EFFICIENCIES** — Listed to ANSI Z21.88 as a gas fireplace heater

MODEL	FUEL	BTU/HR	AFUE**	P4 / ENERGUIDE
DRT40ST DEN	NG	37,000	68.2%	57.7%
DRT40PF DEN	NG	37,000	68.2%	57.7%
DRT40CL DEN	NG	31,000	68.2%	57.7%
DRT40CR DEN	NG	31,000	68.2%	57.7%

\*\*Annual Fuel Utilization Efficiency (AFUE) is the recognized U.S. rating system for the total efficiency of heating products.

**BRT40 MULTI-VIEW FIREPLACE EFFICIENCIES** — Listed to ANSI Z21.50 as a decorative gas appliance

MODEL	FUEL	BTU/HR
BRT40ST TMN	NG	30,000-37,500
BRT40ST TMP	LP	27,000-34,000

**DRT35 MULTI-VIEW FIREPLACE EFFICIENCIES** — Listed to ANSI Z21.88 as a gas fireplace heater

MODEL	FUEL	BTU/HR	AFUE**	P4 / ENERGUIDE
DRT35ST DEN	NG	30,000	74.8%	54.7%
DRT35PF DEN	NG	30,000	74.8%	54.7%

\*\*Annual Fuel Utilization Efficiency (AFUE) is the recognized U.S. rating system for the total efficiency of heating products.

**IMPORTANT NOTES:**

As with any fireplace, this appliance is extremely hot during operation. Read and understand all operating instructions before using this appliance. For further information, consult your dealer.

Local conditions, such as elevation, wind, vent configuration and choice of fuel will affect overall appearance of the fire and heating performance. Performance can also vary with home design and insulation, climate, condition and type of fuel used, appliance location, burn rate, accessories chosen, chimney installation and how the appliance is operated.

Diagrams, illustrations and photographs are not to scale—consult installation instructions. Product designs, materials, dimensions, specifications, colors and prices are subject to change or discontinuance without notice.

