

# Davenport



Davenport FS

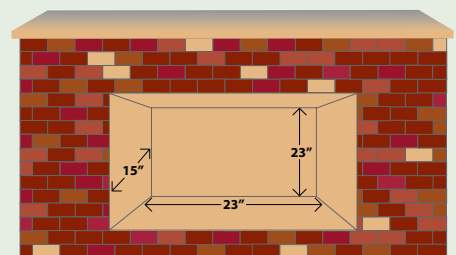
This handsome design is both compact and sturdy. Made of quality construction and craftsmanship, this stove is handsomely crafted with our heavy duty heat exchanger and whisper quiet convection fan. The step-top design will afford you extended hopper capacity. This equates to longer refill intervals and extended heating value.

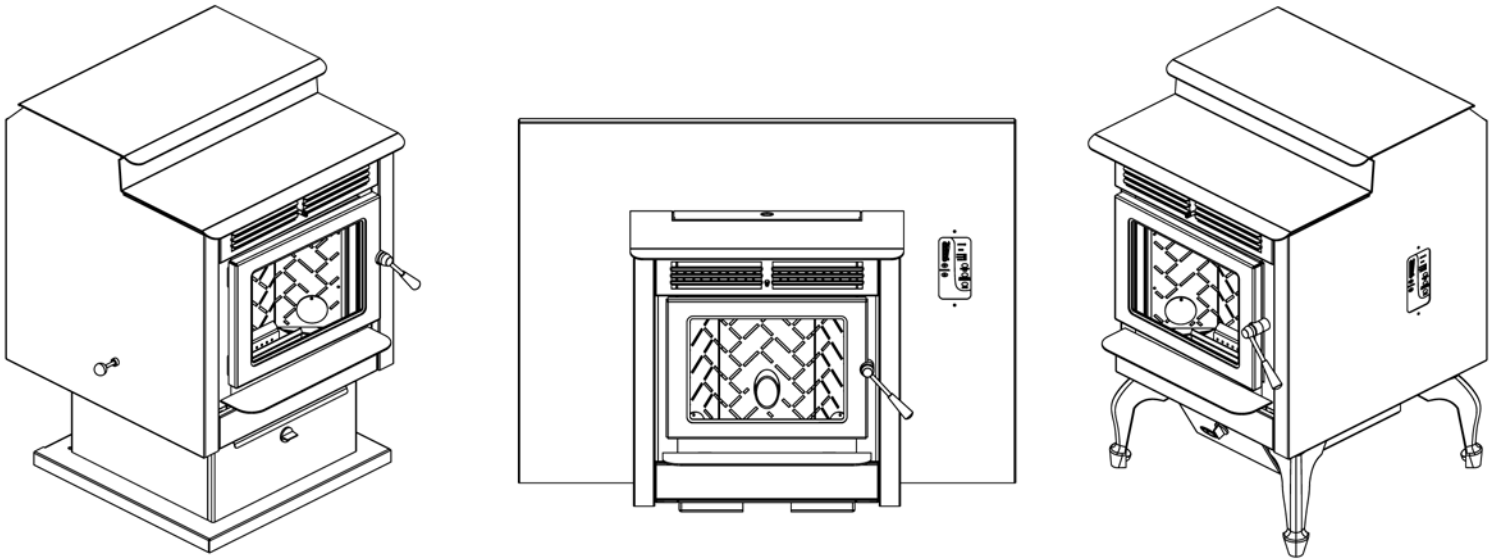
## Features:

- 50,000 BTUs
- Heats nearly 2,500 sq. ft.
- Mobile home capable
- Automatic controls and fuel feed
- Heavy steel construction
- Convenient ash drawer
- Electronic igniter
- Thermostat ready
- Ceramic glass door for viewing
- Interior brick standard
- Digital touch control system
- 70 lb. hopper capacity

## Options:

- Free standing leg options
- Insert capable





**DIMENSIONS - FREESTANDING:**

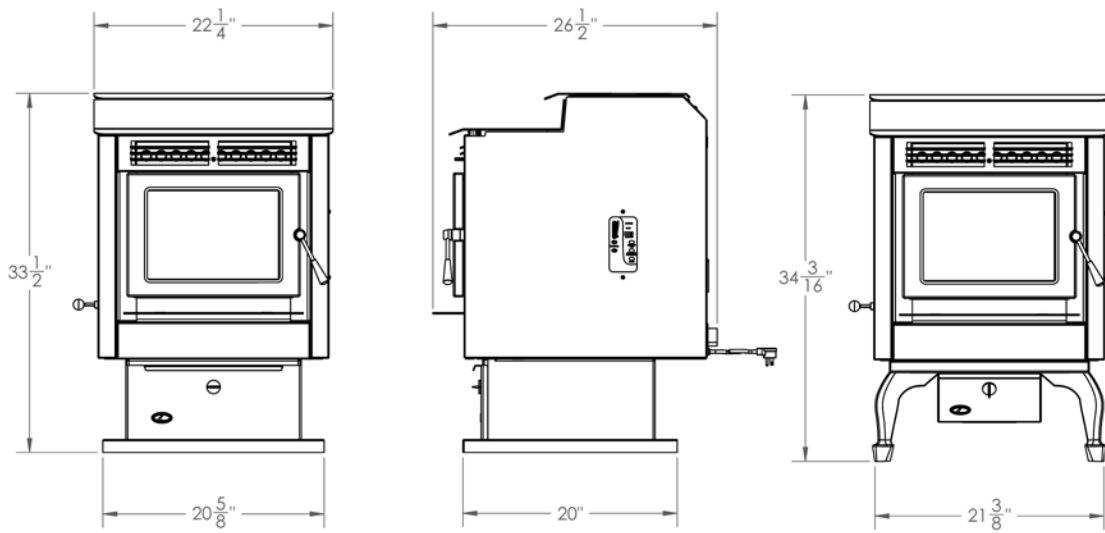


Figure 1: Davenport Freestanding Dimensions.

**DIMENSIONS - FIREPLACE INSERT:**

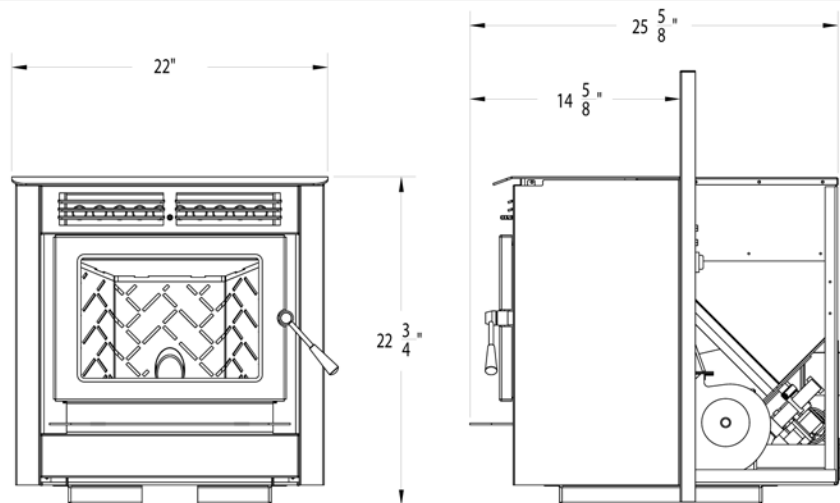


Figure 2: Davenport Fireplace Insert Dimensions.