



## Installation and Operation Instructions

### Custom Series Decorative B-Vent Fireplace Electronic Ignition System

P/N 900807-00 REV. E 03/2019

Ce manuel est disponible en français, simplement en faire la demande. Numéro de la pièce 900807-03.



Report No. F09-143

#### Models

BRT4336TEN-B	BRT4336TEP-B	BRT4342TEN-B	BRT4342TEP-B
BRT4536TEN-B	BRT4536TEP-B	BRT4542TEN-B	BRT4542TEP-B

**INSTALLER:** Leave this manual with the appliance.  
**CONSUMER:** Retain this manual for future reference.

**Installateur :** Laissez cette notice avec l'appareil.  
**Consommateur :** Conservez cette notice pour consultation ultérieure.

**Decorative Product:** Not for use as a heating appliance.

**NOTICE:** Fireplace is not to be operated by a thermostat.

This appliance may be installed in an aftermarket permanently located, manufactured home (USA only) or mobile home, where not prohibited by local codes. This appliance is only for use with the type of gas indicated on the rating plate. This appliance is not convertible for use with other gases, unless a certified kit is used.

Cet appareil peut être installé dans une maison préfabriquée (mobile) déjà installée à demeure, si les règlements locaux le permettent. Ce appareil doit être utilisé uniquement avec le type de gaz indiqué sur la plaque signalétique. Cet appareil ne peut être converti à d'autres gaz, sauf si une trousse de conversion est utilisée.



#### WARNING:

##### FIRE OR EXPLOSION HAZARD

Failure to follow safety warnings exactly could result in serious injury, death, or property damage.

- Do not store or use gasoline or other flammable vapors and liquids in the vicinity of this or any other appliance.
- **WHAT TO DO IF YOU SMELL GAS**
  - Do not try to light any appliance.
  - Do not touch any electrical switch; do not use any phone in your building.
  - Leave the building immediately.
  - Immediately call your gas supplier from a neighbor's phone. Follow the gas supplier's instructions.
  - If you cannot reach your gas supplier, call the fire department.
- Installation and service must be performed by a qualified installer, service agency or the gas supplier.



#### AVERTISSEMENT:

##### RISQUE D'INCENDIE OU D'EXPLOSION

Le non-respect Des avertissements de sécurité pourrait entraîner des blessures graves, la mort ou des dommages matériels.

- Ne pas entreposer ni utiliser d'essence ni d'autres vapeurs ou liquides inflammables dans le voisinage de cet appareil ou de tout autre appareil.
- **QUE FAIRE SI VOUS SENTEZ UNE ODEUR DE GAZ:**
  - Ne pas tenter d'allumer d'appareil.
  - Ne touchez à aucun interrupteur. Ne pas vous servir des téléphones se trouvant dans le bâtiment où vous trouvez.
  - Sortez immédiatement de bâtiment.
  - Appelez immédiatement votre fournisseur de gaz depuis un voisin. Suivez les instructions du fournisseur.
  - Si vous ne pouvez rejoindre le fournisseur de gaz, appelez le service des incendies.
- L'installation et l'entretien doivent être assurés par un installateur ou un service d'entretien qualifié ou par le fournisseur de gaz.

**Thank you for your purchase. We appreciate your business!**

Please carefully read and follow all instructions in this manual. **Pay special attention to all warnings and safety information.**

Following these safety, care, and operation instructions will help ensure many years of dependable and enjoyable service from your fireplace.

**Please read and understand these instructions before installing or operating.**



We recommend that our gas hearth products be installed and serviced by professionals who are certified in the U.S. by the National Fireplace Institute® (NFI) as NFI Gas Specialists.

## TABLE OF CONTENTS

Safety .....	2
Unpacking .....	4
Introduction .....	4
Selecting Location .....	5
Requirements for the Commonwealth of Massachusetts .....	5
Product Specifications .....	6
Pre-installation Preparation .....	7
Venting Installation .....	9
Installation .....	11
Operation .....	17
Inspecting Pilot And Burner Flame Patterns .....	18
Cleaning and Maintenance .....	18
Wiring Diagram .....	19
Service Hints .....	20
Technical Service .....	20
Replacement Parts .....	20
Troubleshooting .....	21
Parts .....	23
Accessories .....	27
Warranty .....	31

## SAFETY

**⚠ WARNING:** Improper installation, adjustment, alteration, service or maintenance can cause injury or property damage. Refer to this manual for correct installation and operational procedures. For assistance or additional information consult a qualified installer, service agency or the gas supplier.

**NOT FOR USE WITH SOLID FUEL CHECK LOCAL CODES PRIOR TO INSTALLATION**

### SAVE THIS BOOK

This book is valuable. In addition to instructing you on how to install and maintain your appliance, it also contains information that will enable you to obtain replacement parts or optional accessory items when needed. Keep it with your other important papers.

This fireplace may not be installed in manufactured (mobile) housing constructed to HUD standards. The fireplace may be installed in aftermarket, non-HUD manufactured housing provided its installation complies with State and Local Codes and in the absence of these codes complies with the National Fuel Gas Code ANSI Z223.1/NFPA 54, or the Natural Gas and Propane Installation Code, CSA B149.1.

**State of Massachusetts:** The installation must be made by a licensed plumber or gas fitter in the Commonwealth of Massachusetts.

**NOTICE:** Young children should be carefully supervised when they are in the same room as the appliance. Toddlers, young children, and others may be susceptible to accidental burns. A physical Children and adults should be alerted is recommended if there are to be at-risk individuals in the house. To restrict access to a fireplace or stove, install an adjustable safety gate to keep toddlers, young children, and other at-risk individuals out of and away from hot surfaces.

Due to high temperatures, the appliance should be located out of traffic and away from furniture and draperies.

### **⚠ WARNING**

This product can expose you to chemicals including Carbon Black, which is known to the State of California to cause cancer, and Carbon Monoxide, which is known to the State of California to cause birth defects or other reproductive harm. For more information go to [www.P65Warnings.ca.gov](http://www.P65Warnings.ca.gov)

### **⚠ AVERTISSEMENT**

Ce produit peut vous exposer à des produits chimiques, y compris du carbone noir qui est reconnu par l'État de Californie comme un produit cancérigène, et du monoxyde de carbone, qui est reconnu par l'État de Californie comme pouvant causer des déformations fœtales ou perturber la fonction reproductive. Pour plus d'information, aller sur [www.P65Warnings.ca.gov](http://www.P65Warnings.ca.gov)

## SAFETY *Continued*

**⚠ WARNING: This product contains and/or generates chemicals known to the State of California to cause cancer or birth defects or other reproductive harm.**

**IMPORTANT: Read this owner's manual carefully and completely before trying to assemble, operate or service this fireplace. Improper use of this fireplace can cause serious injury or death from burns, fire, explosions, electrical shock and carbon monoxide poisoning.**

**⚠ DANGER: Carbon monoxide poisoning may lead to death!**

**IMPORTANT: This appliance uses room air for combustion. It is imperative that provisions for adequate combustion and ventilation air be made. This appliance is NOT designed to and will not operate in a significant negative pressure environment (pressure within the home is less than pressures outside). Significant negatively pressured environments caused by weather, home design, or other devices will impact the operation of these appliances. Negative pressures may result in poor flame appearance, sooting, damage to property and/or severe personal injury. Contact your dealer if you suspect a negative pressure situation exists.**

This fireplace is a vented product. This fireplace will not produce any gas leakage into your home if properly installed. This fireplace must be properly installed by a qualified service person. If this unit is not properly installed by a qualified service person, gas leakage can occur.

Carbon Monoxide Poisoning: Early signs of carbon monoxide poisoning resemble the flu, with headaches, dizziness or nausea. If you have these signs, the fireplace may not have been installed properly. Get fresh air at once! Have fireplace inspected and serviced by a qualified service person. Some people are more affected by carbon monoxide than others. These include pregnant women, people with heart or lung disease or anemia, those under the influence of alcohol and those at high altitudes.

Propane/LP gas and natural gas are both odorless. An odor-making agent is added to each of these gases. The odor helps you detect a gas leak. However, the odor added to these gases can fade. Gas may be present even though no odor exists.

Make certain you read and understand all warnings. Keep this manual for reference. It is your guide to safe and proper operation of this fireplace.

**⚠ WARNING: Any change to this fireplace or its controls can be dangerous.**

1. This appliance is only for use with the type of gas indicated on the rating plate. This appliance is not convertible for use with other gases unless a certified kit is used.
2. For propane/LP fireplace, do not place propane/LP supply tank(s) inside any structure. Locate propane/LP supply tank(s) outdoors. To prevent performance problems, do not use propane/LP fuel tank of less than 100 lbs. capacity.
3. If you smell gas
  - shut off gas supply
  - do not try to light any appliance
  - Leave the building immediately.
  - do not touch any electrical switch; do not use any phone in your building
  - immediately call your gas supplier from a neighbor's phone. Follow the gas supplier's instructions
  - if you cannot reach you gas supplier, call the fire department.
4. Never install the fireplace
  - in a recreational vehicle
  - where curtains, furniture, clothing or other flammable objects are less than 36" from front and 42" from top of fireplace. For side clearances see **Figure 6, Page 7**
  - in high traffic areas
  - in windy or drafty areas
5. This fireplace reaches high temperatures. Keep children and adults away from hot surfaces to avoid burns or clothing ignition. Fireplace will remain hot for a time after shutdown. Allow surfaces to cool before touching.
6. Carefully supervise young children when they are in the room with fireplace.
7. A hearth extension is not required with this appliance. If one is installed, it is for aesthetic purposes only and does not have to meet the standard requirements.
8. Turn fireplace off and let cool before servicing or repairing. Only a qualified service person should install, service or repair this fireplace. Have fireplace inspected annually by a qualified service person.
9. You must keep control compartments, burners and circulating air passages clean. More frequent cleaning may be needed due to excessive lint and dust from carpeting, bedding material, etc. Turn off the gas valve and pilot light before cleaning fireplace.
10. Have venting system inspected annually by a qualified service person. If needed, have venting system cleaned or repaired. See **Cleaning and Maintenance, Page 18**.
11. Keep the area around your fireplace clear of combustible materials, gasoline and other flammable vapor and liquids. Do not run fireplace where these are used or stored. Do not place items such as clothing or decorations on or around fireplace.
12. Do not use this fireplace to cook food or burn paper or other objects.
13. Do not use any solid fuels (wood, coal, paper, cardboard, etc.) in this fireplace. Use only the gas type indicated on fireplace nameplate.
14. This appliance, when installed, must be electrically grounded in accordance with local codes or, in the absence of local codes, with the National Electrical Code, ANSI/NFPA 70 or the Canadian Electrical Code, CSA C22.1.
15. Do not obstruct the flow of combustion and ventilation air in any way. Provide adequate clearances around air openings into the combustion chamber along with adequate accessibility clearance for servicing and proper operation.
16. Do not install fireplace directly on carpeting, vinyl tile or any combustible material other than wood. The fireplace must set on a metal or wood panel extending the full width and depth of the fireplace.
17. Do not use fireplace if any part has been exposed to or under water. Immediately call a qualified service person to arrange for replacement of the unit.
18. Do not operate fireplace if any log is broken.
19. Do not use a blower insert, heat exchanger insert or other accessory not approved for use with this fireplace.

## SAFETY *Continued*

20. Provide adequate clearances around air openings.
21. Children and adults should be alerted to the hazards of high surface temperature and should stay away to avoid burns or clothing ignition.
22. Clothing or other flammable material should not be placed on or near the appliance.
23. The draft hood be installed so as to be in the same atmospheric pressure zone as the combustion air inlet to the appliance and shall be located so that the relief opening is accessible for checking vent operation.

## UNPACKING

The following items are packed inside the firebox. Remove before positioning firebox into framing.

- Transition Collar - For vent connection
- Ceramic Log Pack - Shrink-wrapped on cardboard
- Three (3) plastic bags containing volcanic stone rock, pan and ember materials
- Rear Log - Remove the two plastic quick ties from around the burner and grate
- Grate Stand - Lift off of burner pan

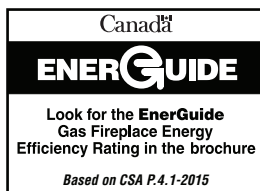
Check all items for any shipping damage. If damaged, promptly inform dealer or distributor where you purchased the product.

Safely retain these items for later installation.

## CODES AND STANDARDS

These fireplaces comply with National Safety Standards and are tested and listed by PFS Corporation (Report No. F09-143) to ANSI Z21.50 (in Canada, CSA-2.22) in both USA and Canada, as vented gas fireplaces. The installation must conform to local codes or, in the absence of local codes, with the National Fuel Gas Code, ANSI Z223.1/NFPA 54—latest edition (In Canada, the current CAN/CGA-B149.1 installation code). The fireplace, when installed, must be electrically grounded and wired in accordance with local codes or, in the absence of local codes, with the National Electrical Code, ANSI/NFPA 70—latest edition, or the Canadian Electrical Code, CSA C22.1—latest edition.

These appliances comply with CSA P.4.1-2015 “Testing Method for Measuring Annual Fireplace Efficiency. P4 (EnerGuide) is a measurement of the Canadian Office of Energy Efficiency.



## COMMONWEALTH OF MASSACHUSETTS REQUIREMENTS

These appliances are approved for installation in the US state of Massachusetts if the following additional requirements are met:

- Install this appliance in accordance with Massachusetts Rules and Regulations 248 C.M.R. Sections 4.00 through 8.00.
- Installation and repair must be done by a plumber or gas fitter licensed in the Commonwealth of Massachusetts.
- The flexible gas line connector used shall not exceed 36 inches (92 centimeters) in length.
- The individual manual shut-off must be a T-handle type valve.

## INTRODUCTION

All 36" and 42" models listed within this manual are vented gas fireplaces that use an electronic control valve and electronic ignition system. A 6" B-Type venting system and a listed type vent cap are not supplied but are required for proper operation. See venting instructions on **Pages 9 and 10**.

**⚠ WARNING: This gas appliance must not be connected to a chimney flue serving a separate solid-fuel burning appliance.**

## BEFORE YOU BEGIN

Before beginning the installation of your appliance, read these instructions through completely.

This INNOVATIVE HEARTH PRODUCTS, LLC (IHP) appliance and its approved components are safe when installed according to this installation manual and are operated as recommended by IHP. Unless you use IHP approved components tested for this appliance, YOU MAY CAUSE A FIRE HAZARD!

The IHP warranty will be voided by and IHP disclaims any responsibility for the following actions :

- A) Modification of the appliance or any of the components.
- B) Use of any component part not approved by IHP in combination with this appliance.
- C) Installation and/or operation in a manner other than instructed in this manual.
- D) Burning of anything other than the type of gas approved for use in this gas appliance.

## INTRODUCTION *Continued*

**⚠ WARNING:** Installation of this appliance should be done by a qualified service person well trained in the installation of such appliances. You will also need a building permit from your local Building and Safety Commissioner before installing this appliance; otherwise your insurance co. may not cover this appliance.

**NOTICE:** Decorative product not for use as a heating appliance.

The appliance and its individual shutoff valve must be disconnected from the gas supply piping system during any pressure testing of that system at test pressures in excess of 1/2 psi (3.5 kPa).

The appliance must be isolated from the gas supply piping system by closing its individual manual shutoff valve during any pressure testing of the gas supply piping system at test pressures equal to or less than 1/2 psi (3.5 kPa).

For the purpose of input adjustment two pressure taps (for IN and OUT pressures) are provided on the gas control valve for test gauge connections to the appliance.

**⚠ CAUTION:** Do not connect appliance before pressure testing gas piping. Damage to gas valve may result and an unsafe condition may be caused.

### SELECTING LOCATION

To determine the safest and most efficient location for your appliance, you must take into consideration the following guidelines:

1. The location must allow for proper clearances (*see Clearances, Page 7*).

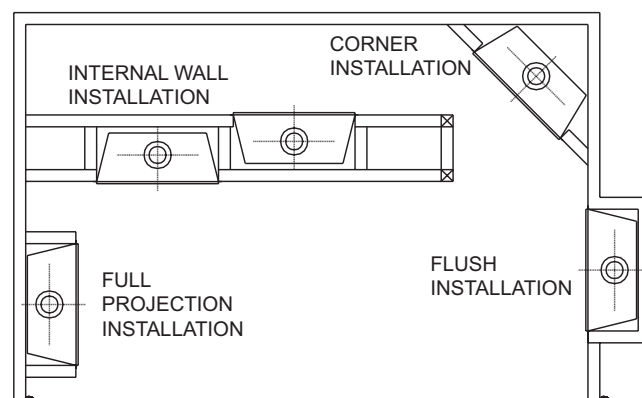
2. Consider a location where heat output would not be affected by drafts, air conditioning ducts, windows or doors.
3. A location that avoids the cutting of joists or roof rafters will make installation easier. *Figure 1* shows a plan view of a few common locations.

**Flush installations** are recommended where living space is limited or at a premium and since the space required to enclose the appliance would be located beyond an outside wall, this would also reduce the cutting of joists, roof rafters and such. Check local codes for any restrictions.

**Projected installations** can extend any distance into the room. A projection may be ideal for a new addition on an existing, finished wall.

**Corner installations** make use of space that may not normally be used and provides a wider and more efficient range for radiant heat transference.

**Internal wall installations** provide a discreet option for room separation and can also be ideal as an addition to an existing wall.

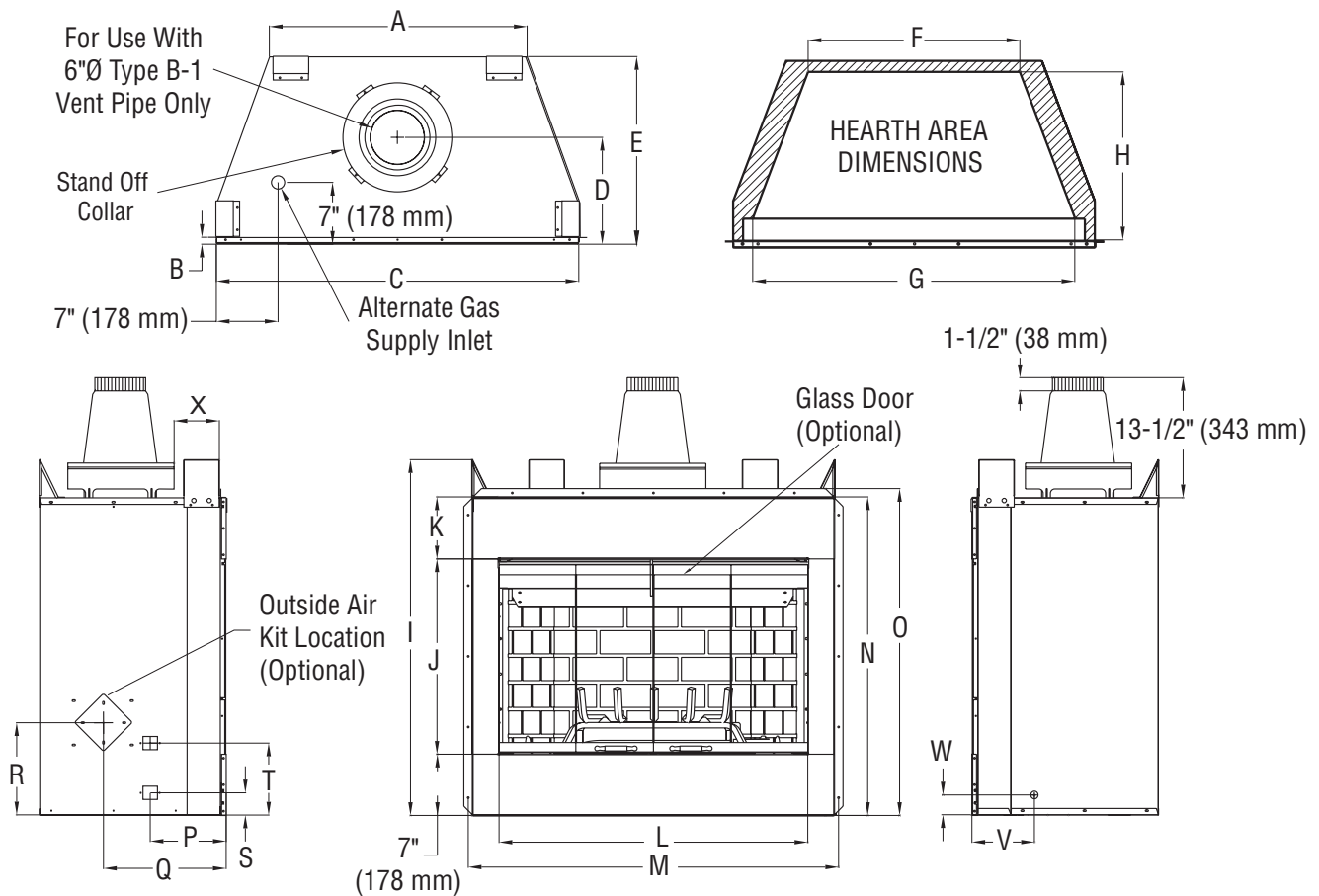


**Figure 1 - Possible Locations for Installing Appliance**



## PRODUCT SPECIFICATIONS

<b>GAS RATING - NATURAL</b>		
	<b>BRT 4336TEN-B, 4536TEN-B</b>	<b>BRT 4342TEN-B, 4542TEN-B</b>
Max. Input Rating:	40,000 Btu/Hr	45,000 Btu/Hr
Manifold Pressure:	3.5" WC (.87 kPa)	3.5" WC (.87 kPa)
Minimum Supply Pressure:	4.5" WC (1.12 kPa)	4.5" WC (1.12 kPa)
Maximum Supply Pressure:	10.5" WC (2.62 kPa)	10.5" WC (2.62 kPa)
Orifice Size:	# 31	# 29
<b>GAS RATING - PROPANE/LP</b>		
	<b>BRT 4336TEP-B, 4536TEP-B</b>	<b>BRT 4342TEP-B, 4542TEP-B</b>
Max. Input Rating:	40,000 Btu/Hr	45,000 Btu/Hr
Manifold Pressure:	10" WC (2.50 kPa)	10" WC (2.50 kPa)
Minimum Supply Pressure:	11" WC (2.74 kPa)	11" WC (2.74 kPa)
Maximum Supply Pressure:	13" WC (3.23 kPa)	13" WC (3.23 kPa)
Orifice Size:	# 52	# 50



<b>Model 36</b>		<b>Model 42</b>		<b>Model 36</b>		<b>Model 42</b>		<b>Model 36</b>		<b>Model 42</b>	
A	29" (737 mm)	36" (915 mm)	I	40 1/4" (1023 mm)	44 1/4" (1124 mm)	Q	13 7/8" (353 mm)	14" (356 mm)			
B	5/8" (16 mm)	5/8" (16 mm)	J	21" (534 mm)	24" (610 mm)	R	10 1/2" (267 mm)	12 1/2" (318 mm)			
C	41" (1042 mm)	48" (1220 mm)	K	8" (204 mm)	9" (229 mm)	S	2 1/2" (64 mm)	2 1/2" (64 mm)			
D	12" (305 mm)	14" (356 mm)	L	34 3/4" (883 mm)	42" (1067 mm)	T	8 1/8" (207 mm)	8 1/8" (207 mm)			
E	21 1/4" (540 mm)	23" (585 mm)	M	42" (1067 mm)	49" (1245 mm)	U	11" (280 mm)	12 3/4" (324 mm)			
F	22 1/4" (566 mm)	29 1/4" (743mm)	N	36" (915 mm)	40" (1016 mm)	V	7" (178 mm)	7" (178 mm)			
	24" (610 mm) w/o Brick	31" (788 mm) w/o Brick	O	37" (940 mm)	41" (1042 mm)	W	2 1/4" (58 mm)	2 1/4" (58 mm)			
G	32 5/8" (829 mm)	39 1/2" (1004 mm)									
	34" (864 mm) w/o Brick	41 1/4" (1048 mm) w/o Brick	P	8 5/8" (220 mm)	10 1/2" (267 mm)	X	5" (127 mm)	4 1/2" (115 mm)			
H	15 3/4" (400 mm)	17 3/4" (451 mm)									
	16 3/4" (426 mm) w/o Brick	18 3/4" (477 mm) w/o Brick									

**Figure 2 - Appliance Dimensions**

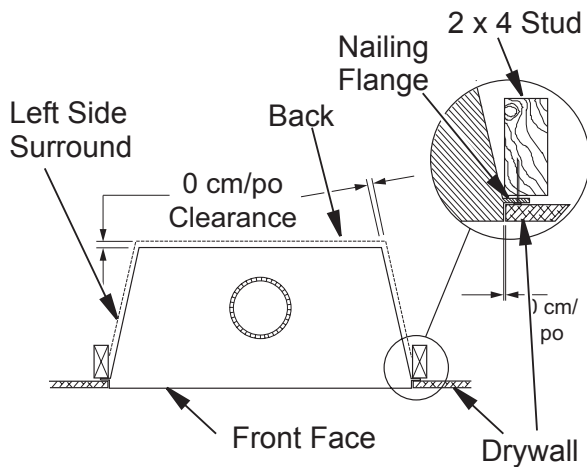
## PRE-INSTALLATION PREPARATION

### CLEARANCES

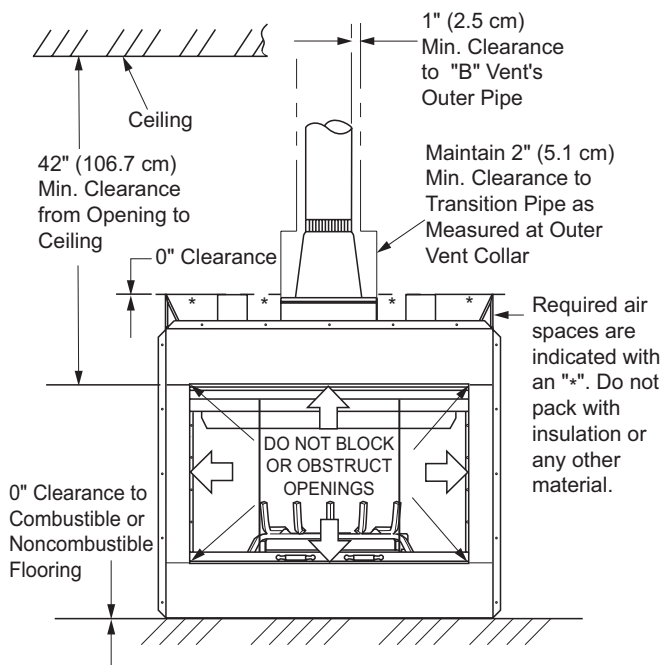
Minimum clearances to combustibles are:

Back and Sides of Outer Surround	0" (0 mm) min.
Drywall to Sides of Front Face (Nailing Flanges)	0" (0 mm) min.
"B" Vent Surfaces	1" (26 mm) min.
Ceiling to Opening	42" (1067 mm) min.
Floor	0" (0 mm) min.
Perpendicular Wall	See <b>Figure 6</b>
Front Service Clearances	3' (0.9 M)

**CAUTION:** Do not block required air spaces with insulation or any other material. Do not obstruct effective opening of appliance with any type of facing material.



**Figure 3 - Minimum Clearances (Top View)**



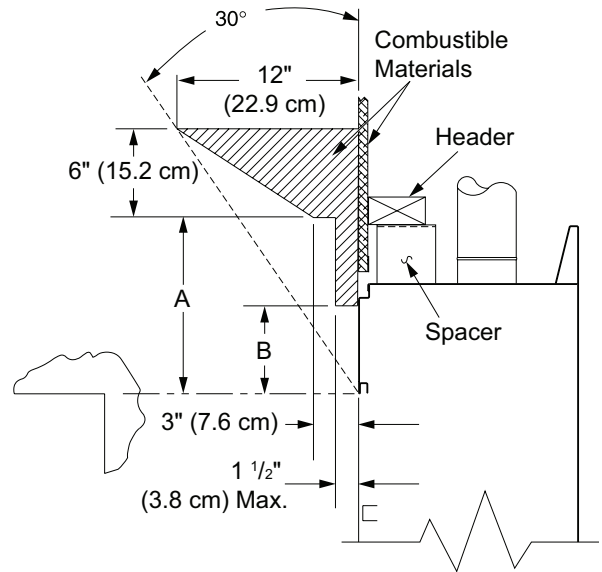
**Figure 4 - Minimum Clearances (Front View)**

### MANTEL CLEARANCES AND WALL DETAILS

A combustible mantel shelf may be installed a maximum 12" (22.9 cm) from wall. **Figures 5 and 6** show the minimum allowable distances from various combustible mantel components in relation to fireplace opening.

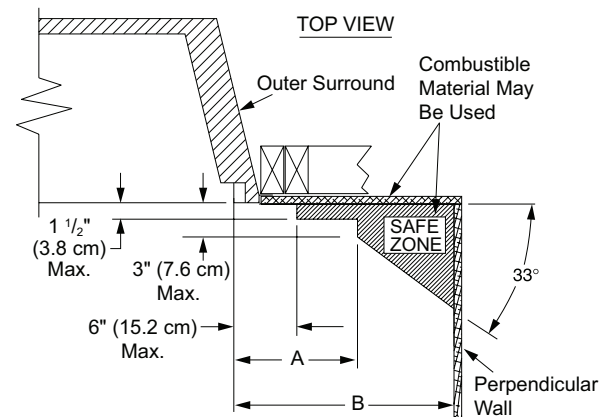
**Minimum clearance requirements include any projections such as shelves, window sills, mantels, etc. above the appliance.**

**NOTE:** To avoid heat-related finish damage, we recommend the use of high temperature paint (rated 175° F or higher) on the underside of the mantel.



	BRT 4336TEN-B, 4536TEN-B, 4336TEP-B, 4536TEP-B	BRT 4342TEN-B, 4542TEN-B, 4342TEP-B, 4542TEP-B
<b>A</b>	14" (35.6 cm)	15" (38 cm)
<b>B</b>	8" (20.3 cm)	9" (22.9 cm)

**Figure 5 - Mantel Clearances - Side View (Cross Section)**



	BRT 4336TEN-B, 4536TEN-B, 4336TEP-B, 4536TEP-B	BRT 4342TEN-B, 4542TEN-B, 4342TEP-B, 4542TEP-B
<b>A</b>	9" (229 mm)	6" (153 mm)
<b>B</b>	12" (305 mm)	9" (229 mm)

**Figure 6 - Side Clearances - Top View (Cross Section)**

## PRE-INSTALLATION PREPARATION *Continued*

### FRAMING

1. Frame appliance enclosure as illustrated in **Figures 7 and 8**.

**NOTE:** If a wall covering is used to line enclosure, then all measurements must be from surface of covering.

2. Place appliance into framing and secure.

**NOTE:** If appliance is to be raised above floor level, a platform must be built to support appliance.

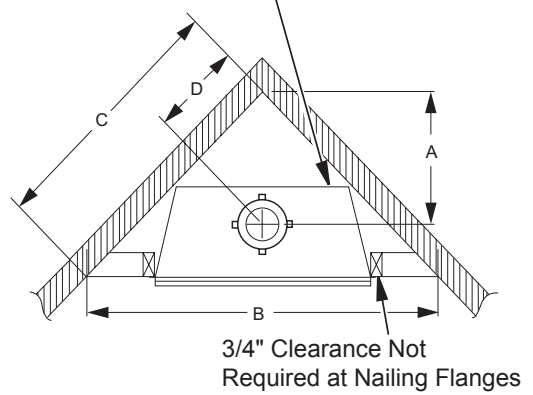
3. Install supply line to appliance using a 1/2" NPT black iron gas line terminating 2-5/16" above bottom of appliance. The gas line must be installed through lower left side access point or alternate access hole in the bottom of appliance (see **Figure 17, Page 12**).

4. Repack insulation around gas line to cover any remaining openings in conduit sleeve. Prepare incoming gas line with teflon tape or pipe joint compound and hook up incoming gas line to flexible gas line.

**NOTE:** If 1/2" NPT black iron pipe does not mate with fitting at the end of flexible gas line, remove fitting and replace with a 37 degree flare 3/4"-12, 1/2" NPT (female) fitting.

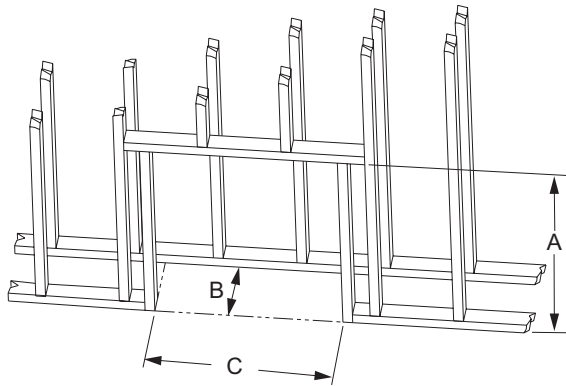
**⚠ WARNING:** When finishing appliance, do not overlap combustible material onto the black front face. Brick, tile or other noncombustible materials may be applied to the face provided that any gap is between the material used and the face is caulked with a noncombustible caulking.

These Dimensions Allow for a 3/4" Clearance at Sides and Back of Fireplace. However, 0" Clearance is Permitted



	<b>BRT 4336TEN, 4536TEN, 4336TEP, 4536TEP</b>	<b>BRT 4342TEN, 4542TEN, 4342TEP, 4542TEP</b>
<b>A</b>	24 1/2" (62.2 cm)	27 9/16" (70 cm)
<b>B</b>	73 7/8" (187.6 cm)	83 7/8" (213 cm)
<b>C</b>	52 3/16" (132.6 cm)	59 5/16" (150.6 cm)
<b>D</b>	17 1/4" (43.8 cm)	19 1/2" (49.5 cm)

**Figure 8 - Corner Installation Guidelines**

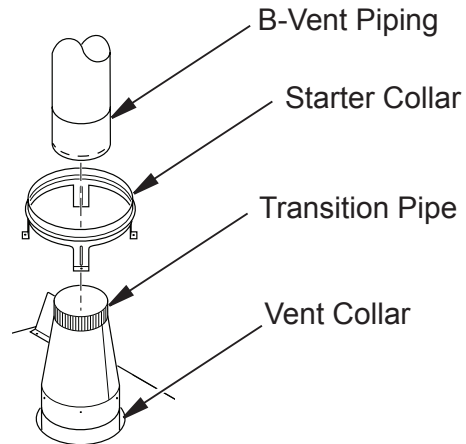


	<b>36 INCH MODELS</b>	<b>42 INCH MODELS</b>
<b>A</b>	40 3/8" (102 cm)	44 3/8" (112 cm)
<b>B</b>	21 3/8" (54.3 cm)	23 1/8" (58.7 cm)
<b>C</b>	41 1/4" (104.8 cm)	48 1/4" (122.6 cm)

**Figure 7 - Rough Opening for Installing in Wall**

### INSTALLING TRANSITION PIPE AND STARTER COLLAR

The transition pipe and starter collar shown in Figure 9 are supplied with fireplace, unattached and ready for installation. Remove starter collar and set aside. Slide transition pipe over vent collar and attach with a minimum of three screws. Replace starter collar over transition pipe and attach using four screws located on leg stands (five used on 42" models). To install B-vent piping, slide first piece of B-vent over transition pipe and attach with either a minimum of two screws or other means approved by the vent manufacturer.



**Figure 9 - Installing Transition Pipe and Starter Collar**



## VENTING INSTALLATION

A B-type venting system must be connected to appliance for venting to the outside of building.

The following section is provided as a guide to a standard B-type vent installation.

Standing codes requirements concerning B-type vent installations may vary within your state, province or local codes jurisdiction. Therefore, it is recommended that you check with your local building codes for specific requirements or in absence of local codes, follow "Venting of Equipment" section of the current National Fuel Gas Code ANSI Z223.1/NFPA 54, or the Natural Gas and Propane Installation Code, CSA B149.1.

This gas appliance must be vented to the outdoors only and may not be terminated into an attic space or into a chimney flue servicing a solid-fuel burning appliance.

This appliance may be vented through a manufactured chimney system or a masonry chimney using a B-vent adaptor or a chimney liner system if all are listed, inspected and approved by local codes and/or building authorities.

The examples shown in Figure 10 are typical of most B-vent installations and codes practices. A minimum of 3 feet vertical rise (off the top of the unit) before offset is recommended.

**Example 1:** Shows the minimum allowable system height and lateral offset for a 60° or greater inclination. Code specifies that offsets at 60° or greater are considered horizontal and must follow the 75% rule for lateral to total vertical system height. Codes also allow only one offset in the total system when at 60° or greater. The total vertical height in this example represents the minimum height of 8 feet and therefore the allowable lateral is 6 feet when the 75% rule applies. If the lateral length must exceed 75% then the system must be sized in accordance with the Category I venting tables.

**IMPORTANT NOTICE**

**ANSI Z223.1/NFPA 54 (USA), or CSA B149.1 (Canada) defines minimum space requirements for the installation of this appliance.**

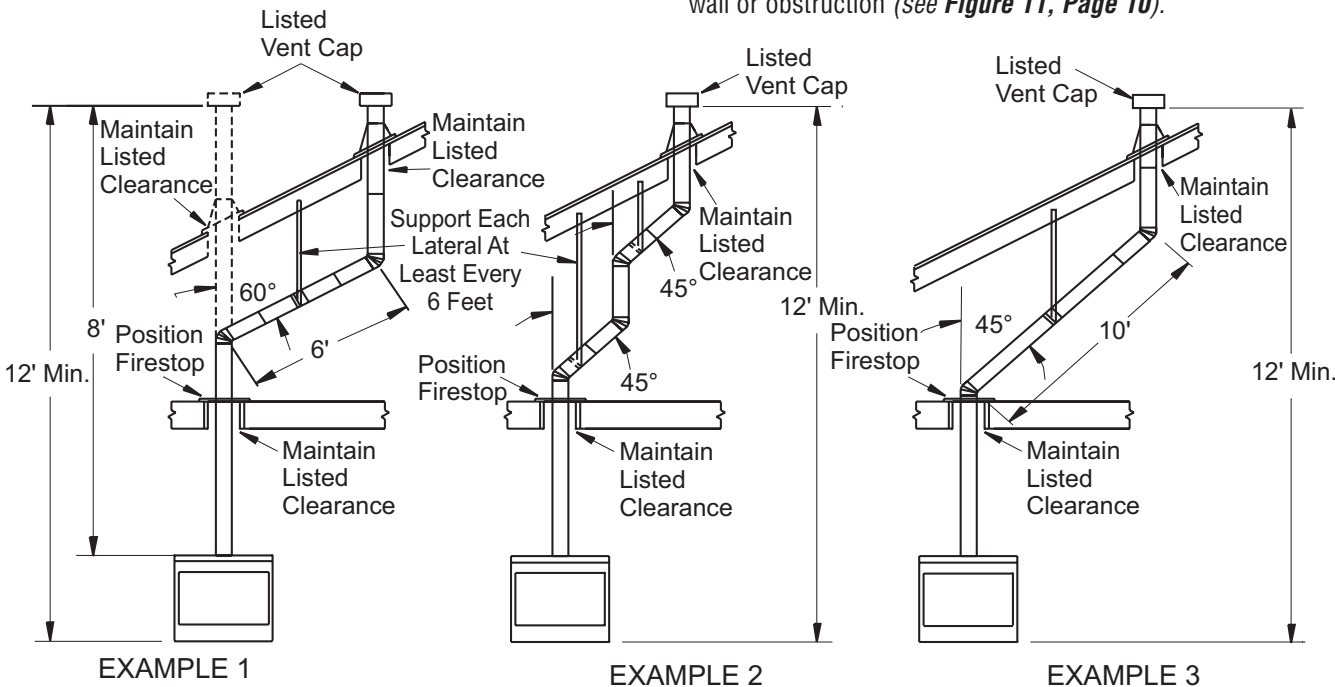
**This fireplace must be installed in an unconfined space with a minimum of 50 cubic feet per 1,000 BTUs of gas output. Therefore 36" models require 2,650 cubic feet, 42" models require 3,100 cubic feet and 50" models require 3,300 cubic feet. If the space you wish to install the fireplace does not meet these requirements ANSI Z223.1/NFPA 54 or CSA B149.1 details several actions that may be taken.**

**Example 2:** Shows a multiple offset each at 45° of inclination. Multiple offsets are permitted if they do not exceed 45° of inclination. The total lengths of the two offsets are not required to meet the 75% allowable rule.

**Example 3:** Shows a single offset at 45° of inclination and therefore the lateral length at 10 feet of offset does not have to meet the 75% rule.

In each case the offsets must be supported and firestops must be positioned wherever the vent must pass through a sub-floor, ceiling joist or an attic overhang. The vent pipe must terminate vertically into a listed type vent cap and extend a sufficient height through an approved roof flashing, roof jack or a roof thimble (38FST recommended). At all points the listed clearances must be maintained.

Vent terminations must be located in accordance with height and proximity rules of ANSI Z223.1/NFPA 54, or the Natural Gas and Propane Installation Code, CSA B149.1. These rules apply to vents at 12" diameter or less and require a minimum height in accordance with the roof pitch and a minimum of 8 ft. distance from a vertical wall or obstruction (see **Figure 11, Page 10**).



**Figure 10 - Typical B-Vent Configuration**

## VENTING INSTALLATION *Continued*

If venting horizontally through a side wall becomes necessary, a listed thimble approved for use with B-type vent must be used. Check with your local codes before venting through a side wall.

Some codes areas allow the use of existing B-type vent systems if the system is at or above the recommended diameter of the flue, in this case 6".

The flue connection must be made using listed B-type connectors and the existing system must be code inspected for damage and proper installation.

It is not recommended that this appliance be common vented with an existing gas burning appliance. However, if it becomes necessary to common vent this appliance, the venting system must be sized and configured in accordance with the common venting guides Appendix G of the current National Fuel Gas Code ANSI Z223.1/NFPA 54, or the Natural Gas and Propane Installation Code, CSA B149.1.

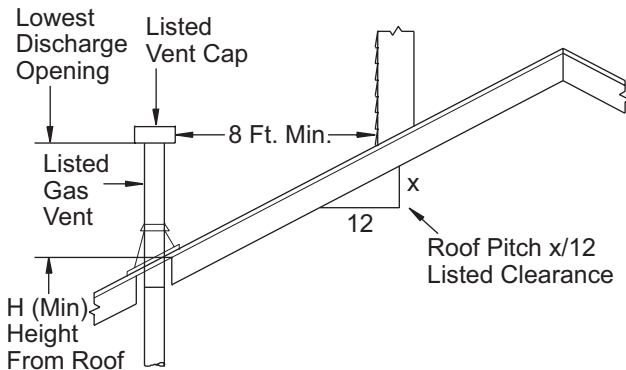
**NOTE:** Before connecting this appliance to an existing vent system or a common venting system consult with your local architect, planner or building official.

**⚠ WARNING:** This appliance must be properly connected to a system and must not be connected to a chimney flue servicing a separate solid fuel burning appliance.

### CHECKING FOR PROPER VENTING

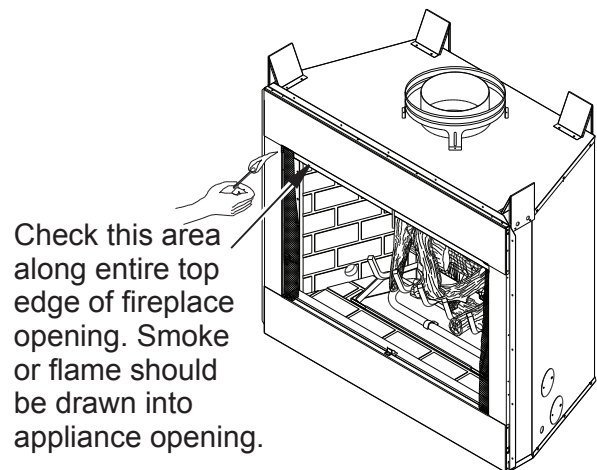
After completing and checking electrical, gas and vent connections, follow the lighting instructions and allow the main burner to run for approximately 5 minutes. Hold a lighted match or cigarette near the top edge of fireplace opening and play it along entire length of opening (see **Figure 12**). Proper venting should tend to draw the flame or smoke into the appliance. Improper venting or escaping of spillage of burned gas, is indicated when the match flickers or goes out. Smoke from a cigarette will also tend to disperse away from the appliance. If the appliance is found to be improperly venting, shut it off and notify your installer or a qualified service agency to inspect the venting system.

**NOTICE:** This appliance is equipped with a vent safety shutoff switch which will shut down the appliance in the case of a venting problem. Do not bypass the vent safety switch. If the appliance should shut down, contact a qualified installer, service agency or your gas supplier to have the vent inspected before operating.



Roof Pitch	H (Min.) Feet	Meter
Flat to 6/12	1.0	0.30
6/12 to 7/12	1.25	0.38
Over 7/12 to 8/12	1.5	0.46
Over 8/12 to 9/12	2.0	0.61
Over 9/12 to 10/12	2.5	0.76
Over 10/12 to 11/12	3.25	0.99
Over 11/12 to 12/12	4.0	1.22
Over 12/12 to 14/12	5.0	1.52
Over 14/12 to 16/12	6.0	1.83
Over 16/12 to 18/12	7.0	2.13
Over 18/12 to 20/12	7.5	2.27
Over 20/12 to 21/12	8.0	2.44

**Figure 11 - B-Vent Terminations**



**Figure 12 - Checking for Spillage**

## INSTALLATION

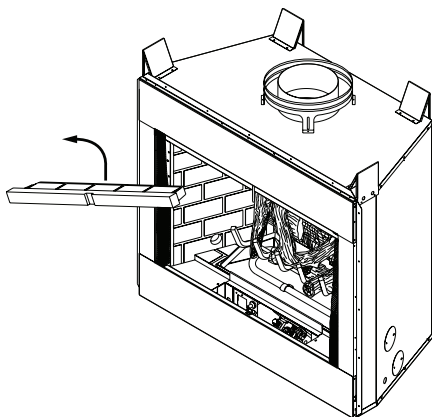
### WALL SWITCH INSTALLATION

The installation of a wall switch allows you to activate the gas control valve and turn the fireplace on and off. The wall switch is to be connected to the incoming 120 volt regular household wiring that supplies electricity to the fireplace. Refer to wiring diagram in this manual on **Page 19**.

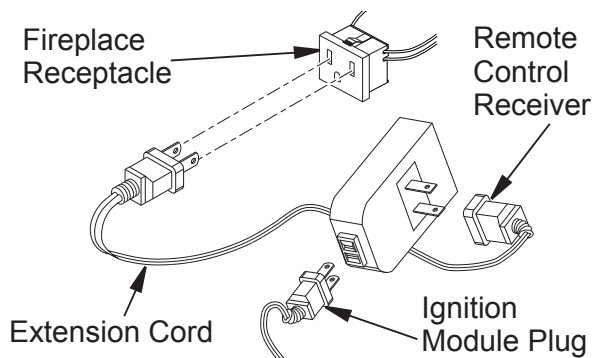
### OPTIONAL REMOTE CONTROL INSTALLATION (Model WRC)

**NOTE:** If using optional wireless hand-held remote control, wall switch must be in the ON position to be operational. The remote control then becomes the switching mechanism for fireplace operation.

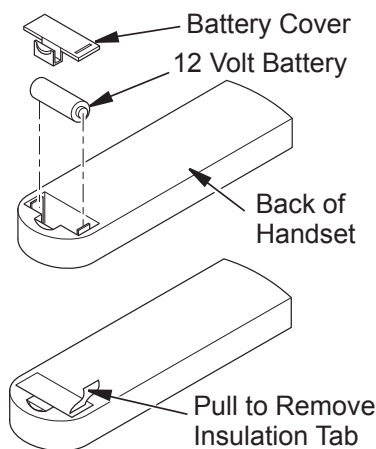
1. Remove front refractory access panel by lifting up and angling out of firebox opening (see **Figure 13**).
2. The WRC model receiver does not require a battery. Receiver can be installed by plugging the short extension cord into fireplace receptacle. Plug receiver unit into extension cord. Plug ignition module plug into receiver unit (see **Figure 14**).
3. Activate remote handset battery by removing insulating tab on back of handset (see **Figure 15**). Battery is included pre-installed.
4. Once the battery is activated unit is ready to use.
5. Replace front refractory access panel.



**Figure 13 - Removing Front Refractory Access Panel**



**Figure 14 - Installing WRC Remote Receiver**



**Figure 15 - Installing Battery into Back of Handset**

### GAS LINE HOOK-UP

**WARNING:** Gas line hookup should be done by your gas supplier or a qualified service person.

**WARNING:** Before you proceed, make sure your gas supply is OFF.

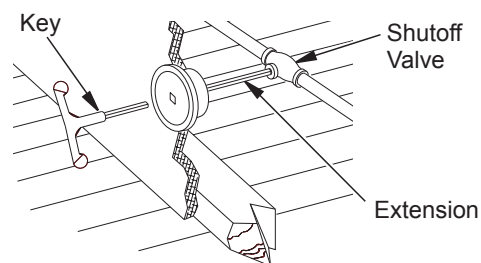
A manual shutoff valve has been included in the appliance's gas supply system. You may consider installing an extra gas shutoff valve outside appliance's enclosure (check with local codes) where it can be accessed more conveniently with a key through a wall as shown in **Figure 16**.

In conformance with local codes, route a 1/2" NPT gas line to appliance through hole in left side of firebox or sub-floor as shown in **Figure 17**.

**CAUTION:** Do not kink flexible gas line.

IHP recommends that a black iron gas line be routed from the gas source, through a sediment trap (shown in **Figure 18, Page 12**) and into appliance. Once connected through appliance, a flexible gas line may be used for ease of installation to gas control valve (see **Figure 19, Page 11**).

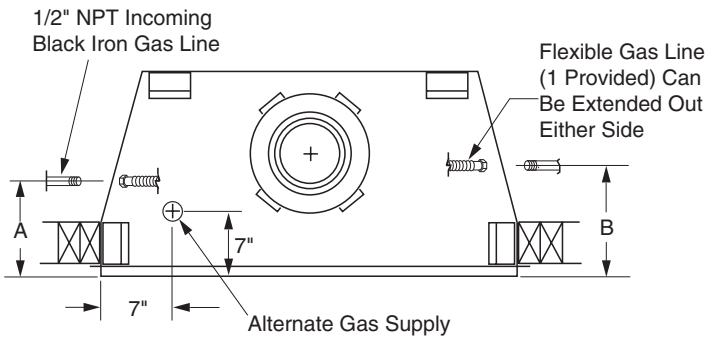
Before connecting black iron gas line to inside of appliance a sediment trap must be included outside appliance between gas line and gas shutoff valve. It must extend down 3" beyond center of pipe. Prepare incoming black iron gas line with teflon tape or pipe joint compound (Check with local building codes).



**Typical Exterior Wall Gas Shutoff Installation**

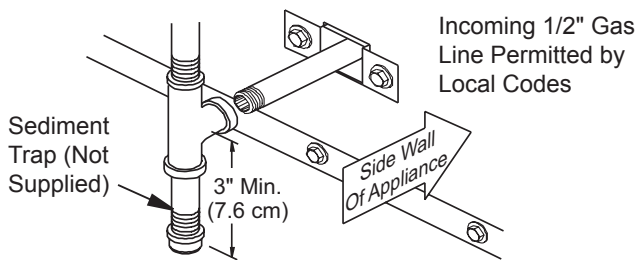
**Figure 16 - Manual Shutoff Valve Installation**

## INSTALLATION *Continued*



	BRT, 4336TEN-B, 4536TEN-B, 4336TEP-B, 4536TEP-B	BRT 4342TEN-B, 4542TEN-B, 4342TEP-B, 4542TEP-B
<b>A</b>	8 5/8" (21.9 cm)	10 1/2" (26.7 cm)

**Figure 17 - Routing Incoming Gas Line**



**Figure 18 - Sediment Trap**

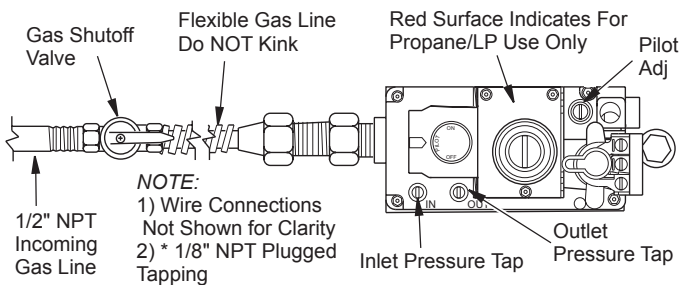
**CAUTION:** Compounds used on threaded joints of gas piping shall be resistant to the action of Liquefied Petroleum (LP or propane) and should be applied lightly to ensure excess sealant does not enter the gas line.

**WARNING:** All gas piping and connections must be tested for leaks after the installation is completed.

After ensuring that the gas valve is on, apply a commercial leak detection solution to all connections and joints. If bubbles appear, leaks can be detected and corrected.

Do not use an open flame for leak testing and do not operate any appliance if a leak is detected.

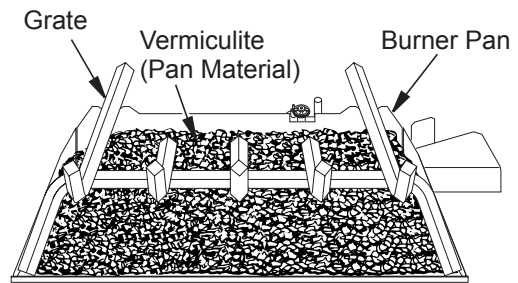
Complete your gas installation by connecting incoming gas line with flexible gas line. Secure tightly with wrench but DO NOT OVERTIGHTEN.



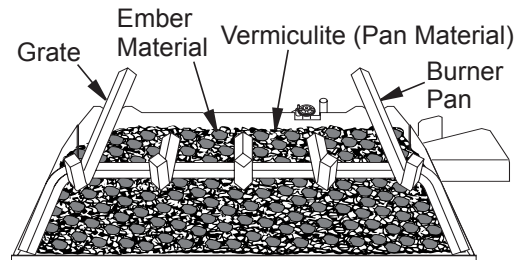
**Figure 19 - Connecting Flexible Gas Line to Millivolt Valve**

## EMBER AND PAN MATERIAL PLACEMENT

1. Open bag(s) of vermiculite and fill until it is even across burner pan (see **Figure 20**).
2. Smooth pan material just even with edges of burner pan.
3. Remove ember material from bag and flatten small amounts into quarter size pieces and lay on top of surface of pan material (see **Figure 21**).
4. Place just enough ember material to cover burner pan material. Leave a 1/2" space between pieces.



**Figure 20 - Place Vermiculite on Burner Pan per Instructions**



**Figure 21 - Ember Material on Surface of Pan Material (Vermiculite)**



**Figure 22 - Completed Installation of Vermiculite and Embers**



## INSTALLATION *Continued*

### LOG PLACEMENT FOR MODEL BRT 4336TEN-B, 4536TEN-B, 4336TEP-B, 4536TEP-B

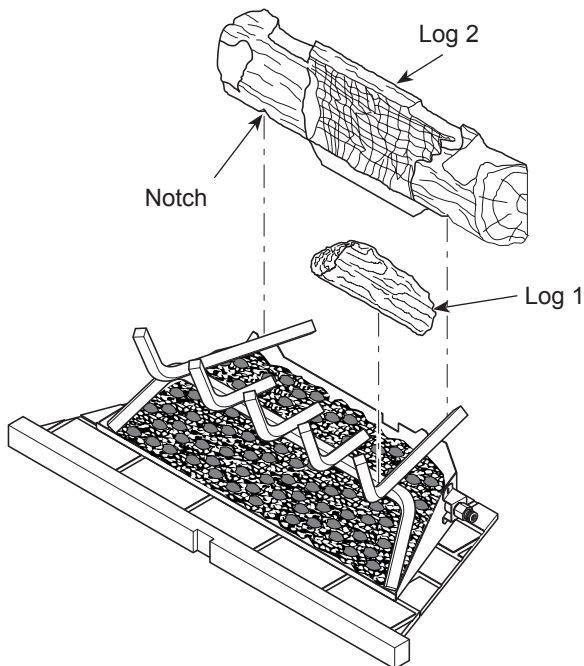
1. Place small front right log (log 1) on right front of grate as shown in **Figure 23**.
2. Place large back log (log 2) onto grate making sure notches rest over grate as shown in **Figure 23**.
3. Place log 3 into notch on log 2, resting front end on top of log 1 (see **Figure 24**).
4. Place upper end of log 4 into notch on log 2 as shown in **Figure 24**. Rest lower end of log 4 onto middle grate finger as shown in **Figure 25**.
5. Place upper end of log 5 into notch on left of log 2 (see **Figure 25**). Rest lower end of log 5 on grate as shown in **Figure 26**.
6. Insert lower end of log 6 between first two grate fingers as shown in **Figure 26** and position upper end of log 6 into notched area on front of log 2 as shown in **Figure 26**.

As an option to enhance the look of the hearth, you may place volcanic stone provided around front and sides of burner.

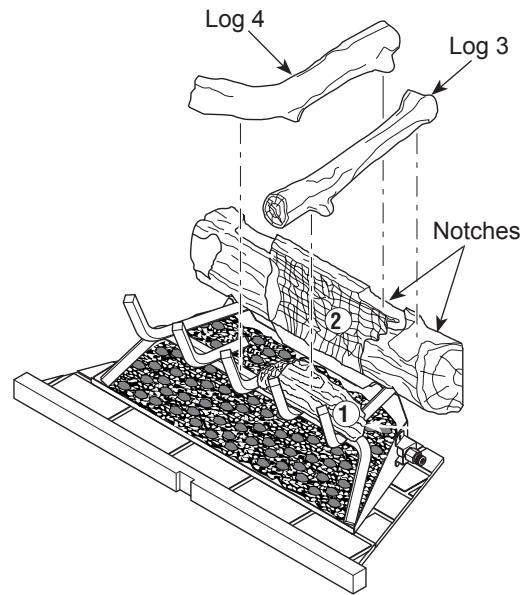
**NOTE:** It is important to ensure proper log placement per the manual when installing these units. Verify pilot flame is not obstructed. See *Inspecting Pilot and Burner Flame Patterns* on **Page 18**.

**NOTICE:** Do not put volcanic stone inside the burner pan or around the air mixer fitting. Placing volcanic stone inside the burner pan or blocking the openings of the propane/LP air mixer could cause performance problems.

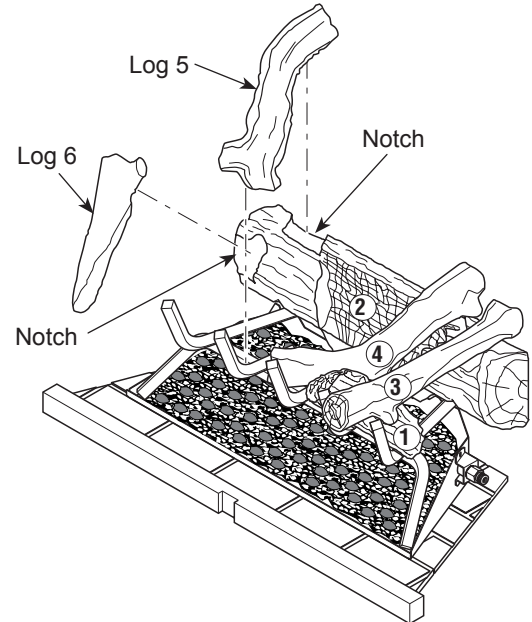
1	J4246	LOG, FIREPIT SPLIT 9"
2	J7241	LOG, REAR 22"
3	J4242	LOG, TOP ROUND 11-3/4"
4	J4243	LOG, TOP SPLIT 16"
5	J4244	LOG, Y TOP SPLIT 13-1/2"
6	J4245	LOG, TOP 11"



**Figure 23 - Installing Logs 1 and 2**



**Figure 24 - Installing Logs 3 and 4**



**Figure 25 - Installing Logs 5 and 6**



**Figure 26 - Logs Installed for 36" Models**



## INSTALLATION *Continued*

### LOG PLACEMENT FOR MODEL BRT 4342TEN-B, 4542TEN-B, 4342TEP, 4542TEP

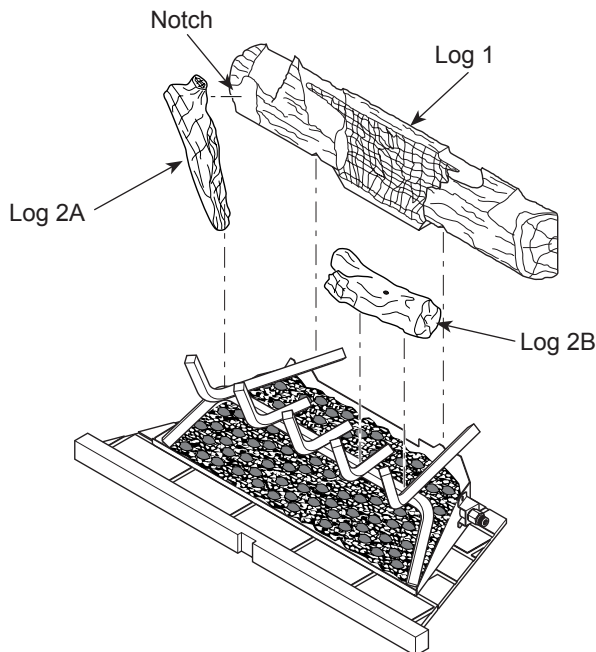
1. Place large back log (log 1) onto grate making sure notches rest over grate (see **Figure 27**).
2. Insert lower end of log 2A between first two grate fingers and position upper end into notch on front of log 1. See **Figure 27**. Place log 2B on front right side of grate as shown in **Figure 27**.
3. Place log 3 into notch on top left of log 1, resting lower end on left two grate fingers (see **Figure 28**).
4. Place upper end of log 4 into notch on log 1 as shown in **Figure 28**. Rest lower end of log 4 on the middle grate finger as shown in **Figure 29**.
5. Place upper end of log 5 into notch on top inner right of log 1 (see **Figure 29**). Rest lower end of log 5 on middle grate finger as shown in **Figure 30**.
6. Place log 6 into notch on top right of log 1 (see **Figure 29**). Rest lower end of log 6 on top of log 2B (see **Figure 30**).

As an option to enhance the look of the hearth, you may place volcanic stone provided around front and sides of burner pan.

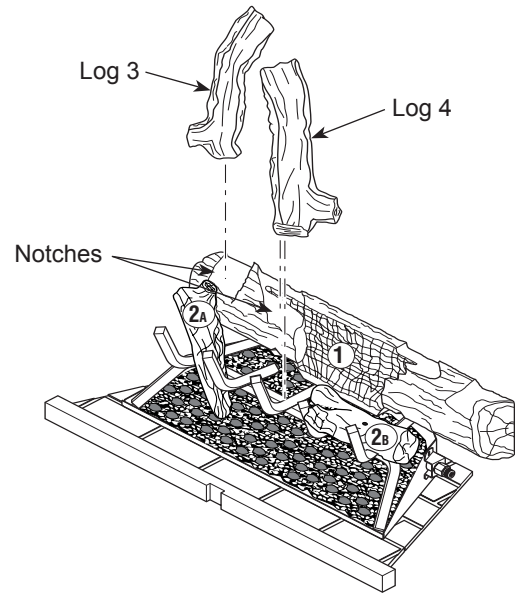
**NOTE:** It is important to ensure proper log placement per the manual when installing these units. Verify pilot flame is not obstructed. See *Inspecting Pilot and Burner Flame Patterns* on **Page 18**.

**NOTICE:** Do not put volcanic stone inside the burner pan or around the air mixer fitting. Placing volcanic stone inside the burner pan or blocking the openings of the propane/LP air mixer could cause performance problems.

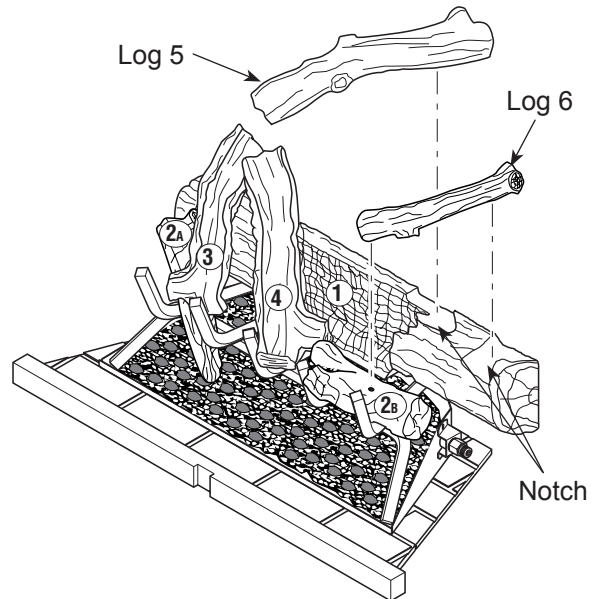
1	J7242	Log, Rear 27"
2A	J4245	Log, Top 11"
2B	J4262	Log, Fire Pit Rnd "Y" 15-3/4"
3	J4244	Log, Y Top Split 13-1/2"
4	J4261	Log, Firepit Split 15-3/4"
5	J4243	Log, Top Split 16"
6	J4242	Log, Top Round 11-3/4"



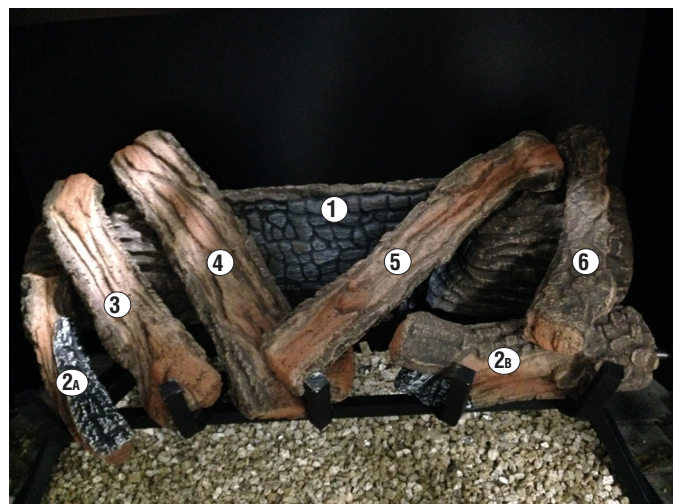
**Figure 27 - Installing Logs 1, 2A and 2B**



**Figure 28 - Installing Logs 3 and 4**



**Figure 29 - Installing Logs 5 and 6**



**Figure 30 - Logs Installed for 42" Models**

## INSTALLATION *Continued*

### COMBUSTION AIR KIT MODEL AK4 (OPTIONAL)

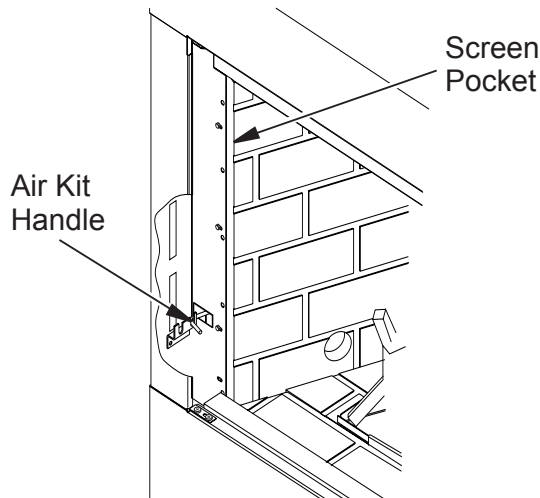
The outside air kit may be installed on the left side of fireplace only. The vent can be installed through any outside wall a minimum of three feet below fireplace termination cap. The handle to operate damper door for outside air inlet will be located inside left "screen pocket" of firebox (see **Figure 31**). Pull handle to open or push to close.

**⚠ CAUTION: Air inlet ducts are not to terminate in attic space.**

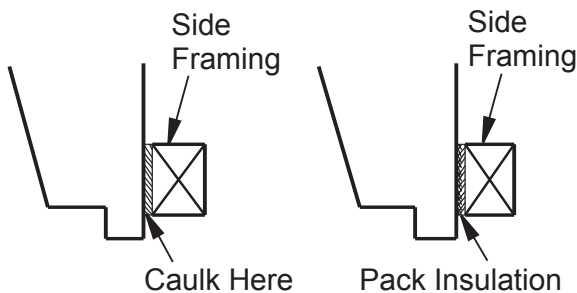
### APPLIANCE ENCLOSURE

Before finishing enclosure around appliance, inspect all joints around outer surround. Any gaps between nailing flanges and framing should be sealed with noncombustible insulation or caulking.

If appliance is mounted on a raised platform, it must be a continuous surface and not on blocks without a solid surface. This will prevent entry of cold air by means of conduction through the total bottom of appliance (see **Figure 32**).



**Figure 31 - Air Kit Handle Location**



**Figure 32 - Sealing Between Appliance and Framing**

### INSTALLING OPTIONAL GLASS DOOR ACCESSORY

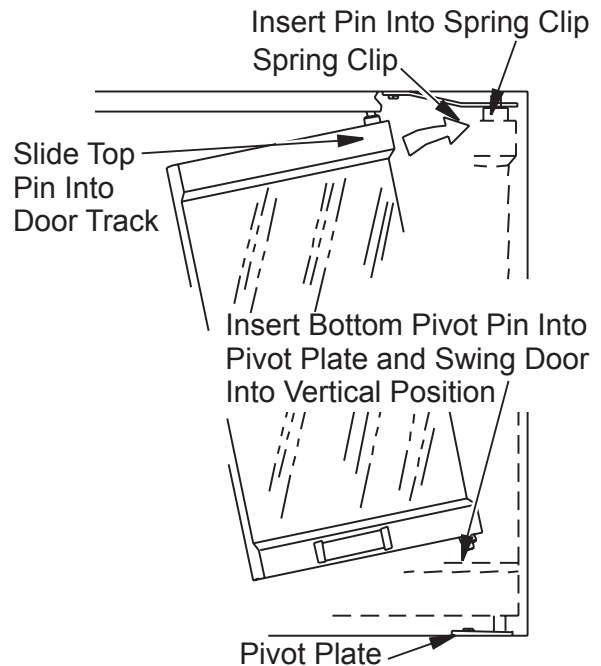
**⚠ CAUTION: Use only glass doors certified for use with this appliance.**

**NOTE:** Glass door may be heavy for some individuals. If this is the case, please request help if needed.

The BRT4336, BRT4536, BRT4342 and BRT4542 B-vent fireplaces are approved for use with optional bi-fold glass doors (see *Accessories, Page 27*). Glass panels may be ordered and installed anytime after fireplace installation is complete.

Follow these steps to install left and right panels:

1. With handle at the bottom, completely fold panel on its hinges.
2. With handle facing center of firebox opening, insert lower pivot pin on glass door panel into hole in pivot plate on bottom edge of fireplace opening (see **Figure 33**).
3. Keeping folded door tilted, slide upper two pins into guide track found under upper facial edge of firebox opening.
4. Tilt glass assembly fully vertical until outer pivot pin snaps into mounting hole in upper spring clip (see **Figure 33**).
5. Once top and bottom pins are secured, unfold door into the closed position.



**Figure 33 - Installing Optional Glass Door**

6. Repeat process for opposite door assembly.
7. To adjust doors, slide them partially open. Using a screwdriver, loosen hold-down screws in the spring clip (see **Figure 34, Page 16**) and pivot plate.
8. Close both doors until evenly joined at the middle and note gap at outer edges of face.
9. Reopen one door at a time and retighten upper and lower hold-down screws.

## INSTALLATION *Continued*

10. Repeat process until both doors are evenly joined, spaced and working freely.

**CAUTION:** The glass panels become very hot while the appliance is operating. Do not attempt to adjust or clean the glass doors until the appliance has fully cooled.

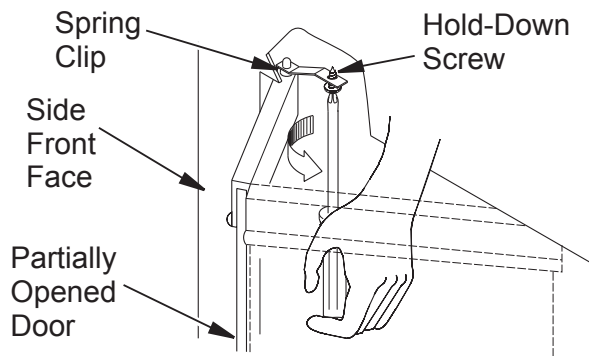
The doors may be removed for replacement or cleaning as follows:

1. Partially open door and press up on upper spring clip with a screw driver until outer top pivot pin is free of clip.
2. Fully fold frame assembly and slide upper edge towards center of firebox opening until guide pins are free of frame rail (see *Figure 35*).

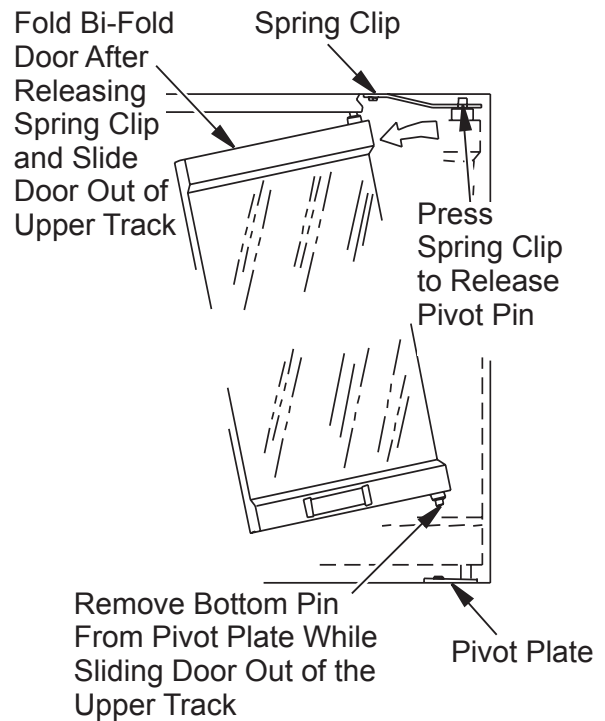
**CAUTION:** Always operate the appliance with the doors either fully opened or fully closed. Operating the appliance with the doors partially open can result in improper venting of flue products.

**WARNING:** Discontinue use of the appliance immediately if doors are damaged and contact a qualified installer for repair. Only doors certified with the appliance shall be used.

**WARNING:** Do not slam or strike doors. Damage can result in a hazardous condition.



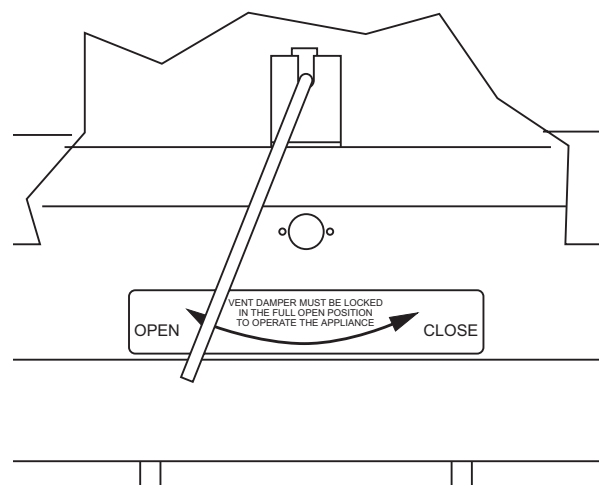
*Figure 34 - Adjusting Glass Doors*



*Figure 35 - Removing Glass Doors*

### OPENING VENT DAMPER

Vent damper must be locked in the full open position before operating fireplace. If vent damper is not open, fireplace will not light.



*Figure 36 - Opening Vent Damper*

## OPERATION



### FOR YOUR SAFETY READ BEFORE LIGHTING

**WARNING:** If you do not follow these instructions exactly, a fire or explosion may result causing property damage, personal injury or loss of life.

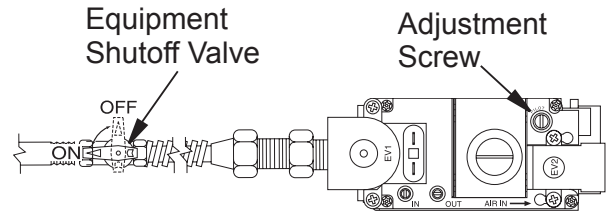
- A. This appliance has a pilot that is equipped with an ignition device which automatically lights the pilot. Do not light the pilot by hand.
- B. **BEFORE LIGHTING** smell all around the appliance area for gas. Be sure to smell next to the floor because some gas is heavier than air and will settle on the floor.  
**WHAT TO DO IF YOU SMELL GAS**
  - Do not try to light any appliance.
  - Do not touch any electric switch; do not use any phone in your building.
  - Immediately call your gas supplier from a neighbor's phone. Follow the gas supplier's instructions.
  - If you cannot reach your gas supplier, call the fire department.
- C. Use only your hand to push in or turn the gas control knob. Never use tools. If the knob will not push in or turn by hand, don't try to repair it, call a qualified service technician or gas supplier. Force or attempted repair may result in a fire or explosion.
- D. Do not use this appliance if any part has been under water. Immediately call a qualified service technician to inspect the appliance and to replace any part of the control system and any gas control which has been under water.

### LIGHTING INSTRUCTIONS

**NOTICE:** During initial operation of new fireplace, burning logs will give off a paper-burning smell. Orange flame will also be present. Open damper or window to vent smell. This will only last a few hours.


1. STOP! Read the safety information, column 1.
2. Turn wall switch (if installed) to the OFF position.
3. Turn off all electric power to appliance.
4. Place damper in full open position.
5. Fully open glass doors if installed.
6. Remove front refractory brick access panel.
7. Turn equipment shutoff valve clockwise  to the OFF position (see [Figure 37](#)).
8. Wait five (5) minutes to clear out any gas. Then smell for gas, including near the floor. If you smell gas, STOP! Follow "B" in the safety information, column 1. If you don't smell gas, go to the next step.
9. Turn equipment shutoff valve counterclockwise  to the ON position. Do not force.
10. Replace front refractory brick access panel.
11. Fully close glass doors if installed.
12. Turn on all electric power to appliance.
13. Turn Wall switch to the ON position.

14. Visually locate pilot. Igniter should begin to spark and main burner should ignite once flame appears at pilot.
  - If lighting appliance for the first time each season, it may take several attempts before supply gas can reach pilot and main burner.
  - If appliance will not stay lit after several attempts, follow instructions in To Turn Off Gas To Appliance, and call your service technician or gas supplier.



**Figure 37 - Turning Equipment Shutoff Valve to the OFF Position**

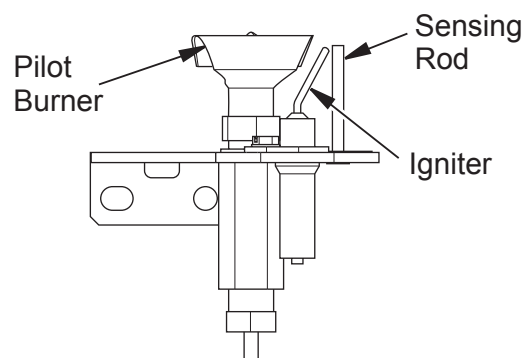
### TO TURN OFF GAS TO APPLIANCE

1. Turn off wall switch.
2. Turn off all electric power to appliance if service is to be performed.
3. Fully open glass doors if installed.
4. Remove front hearth brick and control access panel.
5. Turn equipment shutoff valve clockwise  to OFF. Do not force.
6. Replace front refractory brick access panel.
7. Fully close glass doors if installed.

### OPTIONAL REMOTE OPERATION

**NOTE:** The WRC receiver and hand-held remote control kit must be purchased separately (see [Accessories, Page 27](#)). Follow installation instructions on [Page 10](#).

1. Turn equipment shutoff valve to ON position. You can now turn burner on and off with the hand-held remote control unit.  
**IMPORTANT:** Be sure to press ON/OFF buttons on hand-held remote control unit for up to 3 seconds to assure proper operation.
2. Press the ON/OFF button to turn burner on and off.



**Figure 38 - Pilot**



## INSPECTING PILOT AND BURNER FLAME PATTERNS

Periodically check pilot flame pattern and burner flame patterns often.

### PILOT ASSEMBLY

The pilot assembly is factory preset for the proper flame. Alterations may have occurred during shipping and handling. The pilot is located on the back right hand side of the burner.

The flame must envelope 1/4" of top of the igniter/sensor and grounding stem.

If your pilot assembly does not meet these requirements:

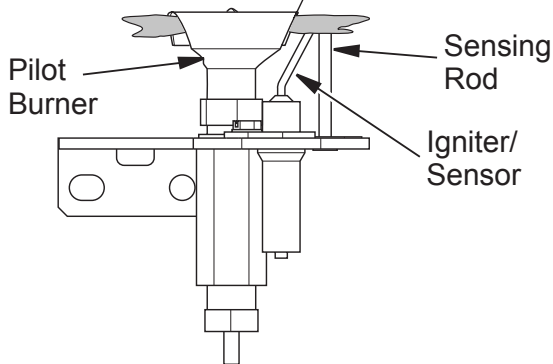
- Turn adjustment screw marked PILOT clockwise to decrease or counterclockwise to increase the flame to proper size (see **Figure 37, Page 17**). Do not remove adjustment screw.
- see **Troubleshooting, Page 21**

### BURNER FLAME PATTERN

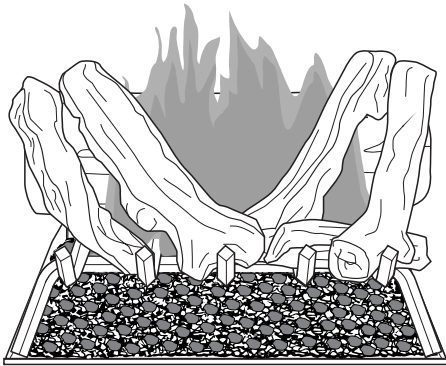
Burner flames will be steady, not lifting or floating. Flames should go up through the middle of log set. Flames should not "spill" to the edges of pan or sides of log set.

**Figure 40** shows a typical flame pattern. If burner flame pattern differs from that described:

- turn appliance off (see **To Turn Off Gas to Appliance, Page 17**)
- see **Troubleshooting, Page 21**



**Figure 39 - Correct Pilot Flame Pattern**



**Figure 40 - Typical Flame Pattern**

## CLEANING AND MAINTENANCE

**⚠ WARNING: Installation and repair should be done by a qualified service person. The appliance should be inspected before each use and at least annually by a qualified service person. More frequent cleaning may be required due to excessive lint from carpeting, bedding material, pet hair, etc. It is imperative that the control compartments, burners and circulating air system be kept clean.**

**⚠ WARNING: The logs can be hot. Handle only when cool.**

**⚠ WARNING: Turn off gas and electrical power before servicing appliance.**

**⚠ WARNING: Failure to keep the primary air opening(s) of the burner(s) clean may result in sooting and property damage.**

### PILOT AND BURNER

- Remove logs and ember material before cleaning burner and replace when cleaning is complete.
- Burner and controls should be cleaned with compressed air to remove dust, dirt or lint.
- Use a vacuum cleaner or small, soft bristled brush to remove excess dust, dirt or lint.

### LOGS

- If you remove logs for cleaning, refer to log placement information on **Pages 13-14** to properly replace logs.
- Use a vacuum cleaner to remove any carbon buildup on logs.
- Replace log(s) if broken. See **Replacement Parts, Page 20**.
- Replace ember material periodically as needed. See **Replacement Parts, Page 20**.

### INSPECT VENTING SYSTEM

The appliance and venting system should be thoroughly inspected before initial use and at least annually by a qualified service technician (inspection should include ensuring that venting system is unobstructed and vent components are properly assembled and not damaged). Homeowner must contact a qualified service technician at once if any abnormal condition is observed.

If the venting system is disassembled for any reason, a qualified service technician should follow vent installation instructions for proper reassembly and proper sealing of the venting system components.



## WIRING DIAGRAM

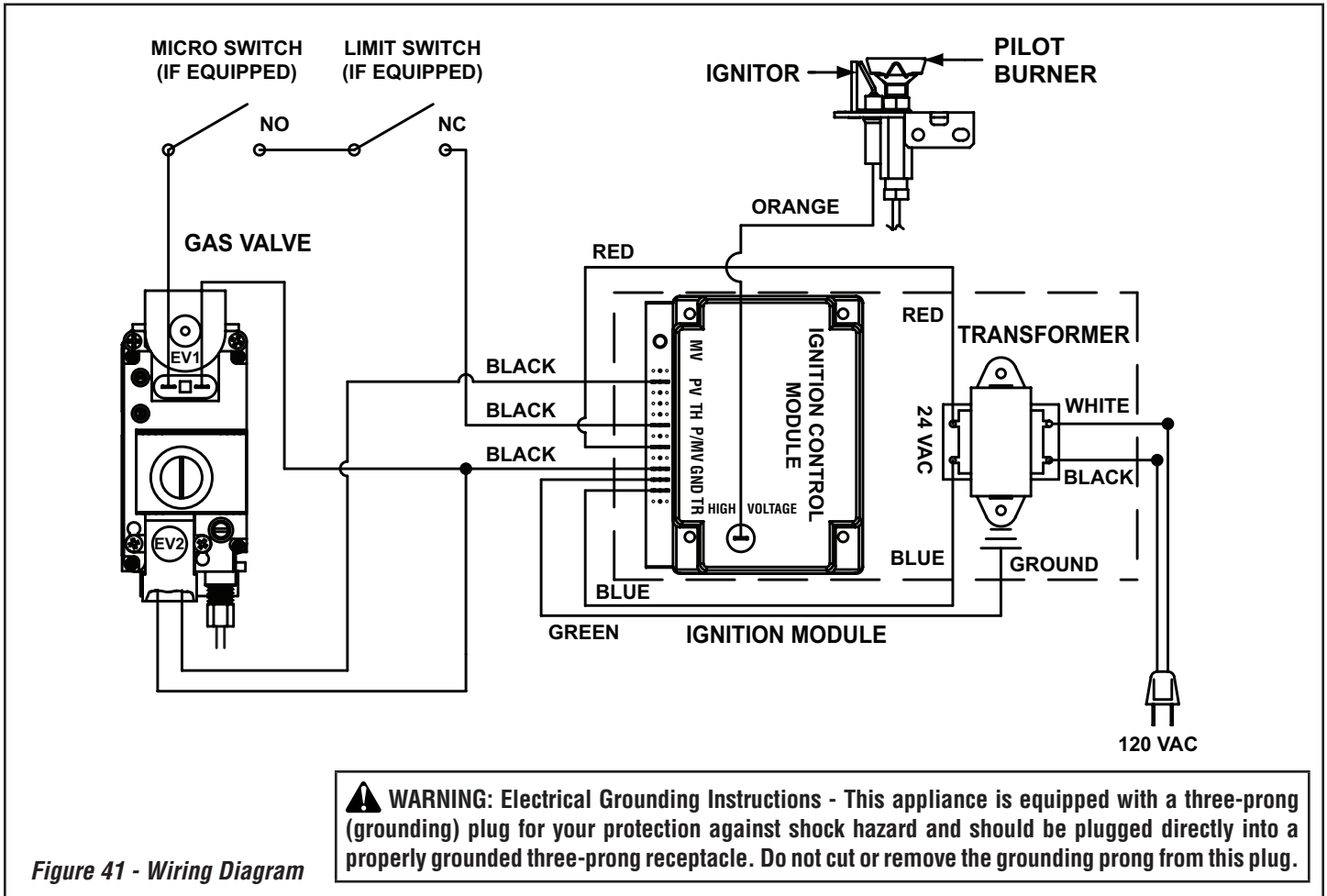


Figure 41 - Wiring Diagram

### MANUALLY-RESET SAFETY LIMIT SWITCH

This appliance is equipped with a manually-reset blocked flue safety limit switch. Refer to **Figure 42** for its location. If, during appliance operation, the flame goes out (independently of the burner on/off wall switch), it may be due to the operation of this safety limit switch. **First allow the appliance to cool**, then reset the safety switch by pressing the red reset button on the back of the switch.

To access the blocked flue safety limit switch, refer to **Figure 42**:

1. To access the blocked flue safety switch, remove the two (2) phillips head screws (shown in **Figure 42**) and pull out switch.
2. Press the red reset button on the switch (see **Figure 43**).
3. Reinstall switch.

The appliance should then relight and remain lit. If this does not occur, **turn off the appliance and call a qualified service technician.**

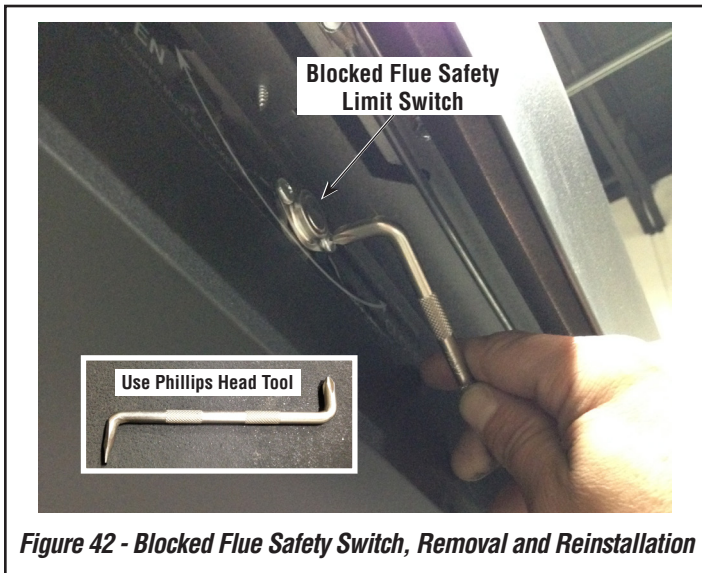


Figure 42 - Blocked Flue Safety Switch, Removal and Reinstallation

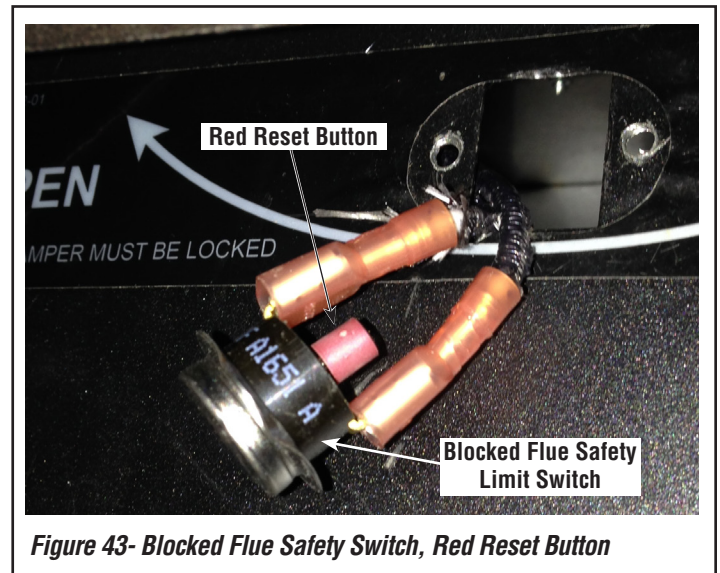


Figure 43 - Blocked Flue Safety Switch, Red Reset Button

## SERVICE HINTS

When Gas Pressure Is Too Low

- pilot will not stay lit
- burner will have delayed ignition
- fireplace will not produce specified heat
- for propane/LP unit, propane/LP gas supply may be low

You may feel your gas pressure is too low. If so, contact your local gas supplier.

## TECHNICAL SERVICE

You may have further questions about installation, operation, or troubleshooting. Please contact your IHP dealer for any questions or concerns. When contacting your dealer please have your model and serial numbers of your fireplace ready. You can also visit our web site at [SuperiorFireplaces.us.com](http://SuperiorFireplaces.us.com).

## REPLACEMENT PARTS

See **Pages 23 to 26** for a complete replacement parts list. Use only parts supplied from the manufacturer.

Normally, all parts should be ordered through your IHP distributor or dealer. Parts will be shipped at prevailing prices at time of order.

When ordering repair parts, always give the following information:

1. The model number of the fireplace.
2. The serial number of the fireplace.
3. The part number.
4. The description of the part.
5. The quantity required.
6. The installation date of the fireplace.

If you encounter any problems or have any questions concerning the installation or application of this fireplace, please contact your dealer.

## TROUBLESHOOTING

**NOTE:** Before troubleshooting the system, make sure the gas shutoff valve is ON. The two most common causes of a malfunctioning gas appliance are:

1. Loose wiring connections
2. Construction debris clogging the pilot and/or gas control valve filter

OBSERVED PROBLEM	POSSIBLE CAUSE	REMEDY
Igniter will not spark or pilot will not light	<ol style="list-style-type: none"> <li>1. No gas supply or shutoff valve is OFF</li> <li>2. Air in gas line</li> <li>3. Construction debris clogging pilot orifice</li> <li>4. Low gas pressure</li> <li>5. Kinked pilot line</li> <li>6. Control valve knob is not opening</li> <li>7. No power to unit or the ignition module or power transformer is bad</li> <li>8. Vent damper not fully open</li> </ol>	<ol style="list-style-type: none"> <li>1. Check to see if you have gas supply and that equipment shutoff valve is opened</li> <li>2. Repeat lighting procedure several times to purge all air out of lines. If after repeated attempts appliance does not light, call for qualified service and repair</li> <li>3. Remove debris and dirt, inspect and clean any other possible obstructions</li> <li>4. Contact your gas supplier to check pressure</li> <li>5. Have a qualified technician replace pilot line</li> <li>6. Replace control valve (<i>refer to Replacement Parts, Page 20</i>)</li> <li>7. Check that main power is on and that all wire connections are made correctly to ignition model (<i>see Wiring Diagram, Page 19</i>). Check for 24 VAC at the secondary side of transformer. If 24 VAC is present and module does not operate, have module replaced otherwise have transformer replaced</li> <li>8. Open vent damper until fully locked in OPEN position</li> </ol>
Pilot will not stay lit	<ol style="list-style-type: none"> <li>1. Loose wiring on igniter wire to ignition module and/or poor ground to ignition module</li> <li>2. Pilot flame too low to sense</li> </ol>	<ol style="list-style-type: none"> <li>1. Check wiring connection. Refer to wiring diagram, <b>Page 19</b>, and/or check ground wire to ignition module</li> <li>2. Clean and adjust pilot burner and check gas supply and inlet pressure to unit <b>NOTE:</b> Have a qualified technician replace pilot assembly if broken or corroded</li> </ol>
No gas to burner, although wall switch and valve are set to the ON position	<ol style="list-style-type: none"> <li>1. Wall switch wires defective or too long</li> <li>2. Thermopile not generating sufficient voltage</li> </ol>	<ol style="list-style-type: none"> <li>1. Check electrical connections</li> <li>2. Recheck problems 1 and 2</li> </ol>

## TROUBLESHOOTING *Continued*

**⚠ WARNING: If you smell gas**

- Shut off gas supply.
- Do not try to light any appliance.
- Do not touch any electrical switch; do not use any phone in your building.
- Immediately call your gas supplier from a neighbor's phone. Follow the gas supplier's instructions.
- If you cannot reach your gas supplier, call the fire department.

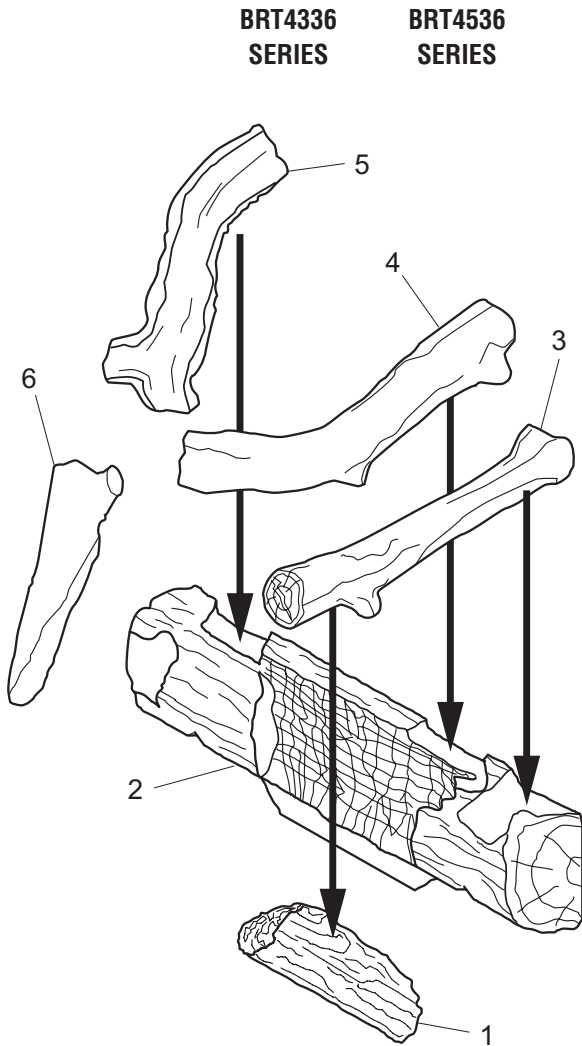
**IMPORTANT:** Operating fireplace where impurities in air exist may create odors. Cleaning supplies, paint, paint remover, cigarette smoke, cements and glues, new carpet or textiles, etc., create fumes. These fumes may mix with combustion air and create odors.

OBSERVED PROBLEM	POSSIBLE CAUSE	REMEDY
Fireplace produces a clicking/ticking noise just after burner is lit or shut off	1. Metal expanding while heating or contracting while cooling	1. This is normal with most fireplaces. If noise is excessive, contact qualified service person
Fireplace produces unwanted odors	1. Fireplace burning vapors from paint, hair spray, glues, etc. (See IMPORTANT statement above) 2. For propane/LP gas, low fuel supply 3. Gas leak. <b>See Warning statement at top of Page</b>	1. Ventilate room. Stop using odor causing products while fireplace is running 2. Contact local propane/LP supplier 3. Locate and correct all leaks ( <i>see Gas Line Hook-Up, Page 11</i> )
Gas odor even when gas control valve is off	1. Gas leak. <b>See Warning statement at top of Page</b> 2. Control valve defective	1. Locate and correct all leaks ( <i>see Gas Line Hook-Up, Page 11</i> ) 2. Replace control valve
Gas odor during combustion	1. Foreign matter between control valve and burner 2. Gas leak. <b>See Warning statement at top of Page</b>	1. Take apart gas tubing and remove foreign matter 2. Locate and correct all leaks ( <i>see Gas Line Hook-Up, Page 11</i> )
Dark residue on logs or inside of fireplace	1. Improper log placement 2. Air holes at burner inlet blocked 3. Burner flame holes blocked 4. Improper venting or excessive blockage  5. Excessive amounts of embers and pan material	1. Properly locate logs ( <i>see log placement sections on Pages 13 and 14</i> ) 2. Clean out air holes at burner inlets. Periodically repeat as needed 3. Remove blockage or replace burner 4. Have vent system inspected, including termination cap. Remove any restrictions or obstruction 5. Clear excess embers until a minimum gap of 1/2" remains under grate

## PARTS

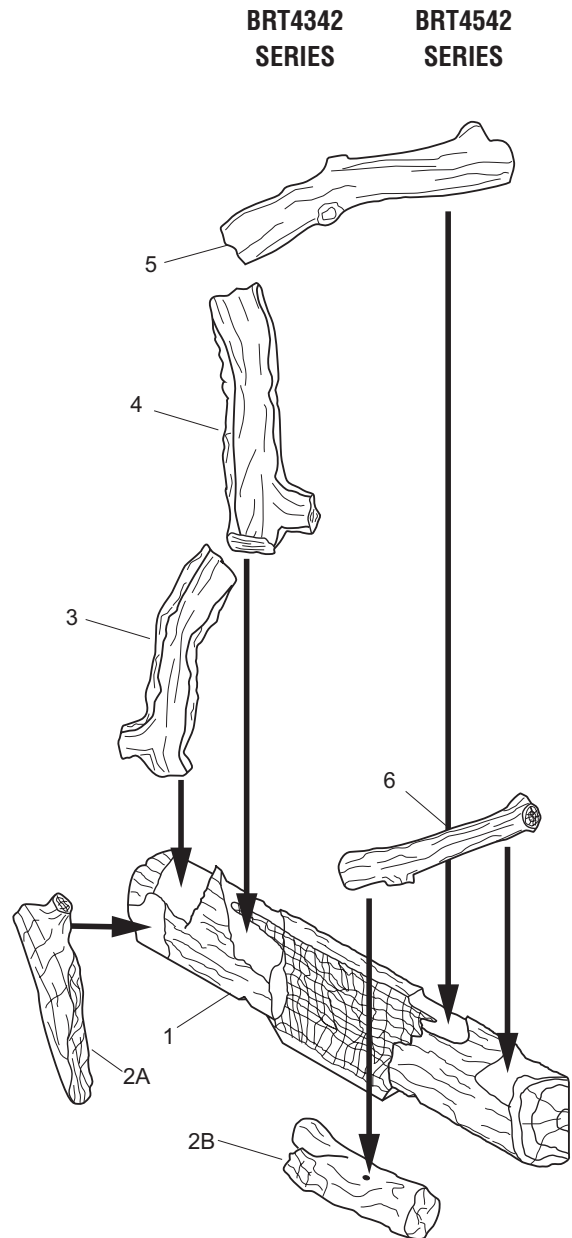
**⚠ WARNING:** Contact an IHP dealer to obtain any of these parts. Never use substitute materials not approved by IHP. Use of non-approved parts can result in poor performance and safety hazards.

### LOG SETS FOR 36" MODELS



KEY NO.	CATALOG NO.	DESCRIPTION	QTY.
-	J4096	LOG SET	
1	J4246	LOG, 9" FIREPIT SPLIT	1
2	J7241	LOG, REAR, 22"	1
3	J4242	LOG, 11.75" TOP ROUND	1
4	J4243	LOG, 16" TOP SPLIT	1
5	J4244	LOG, 13.5" Y TOP SPLIT	1
6	J4245	LOG, 11" TOP	1

### LOG SETS FOR 42" MODELS



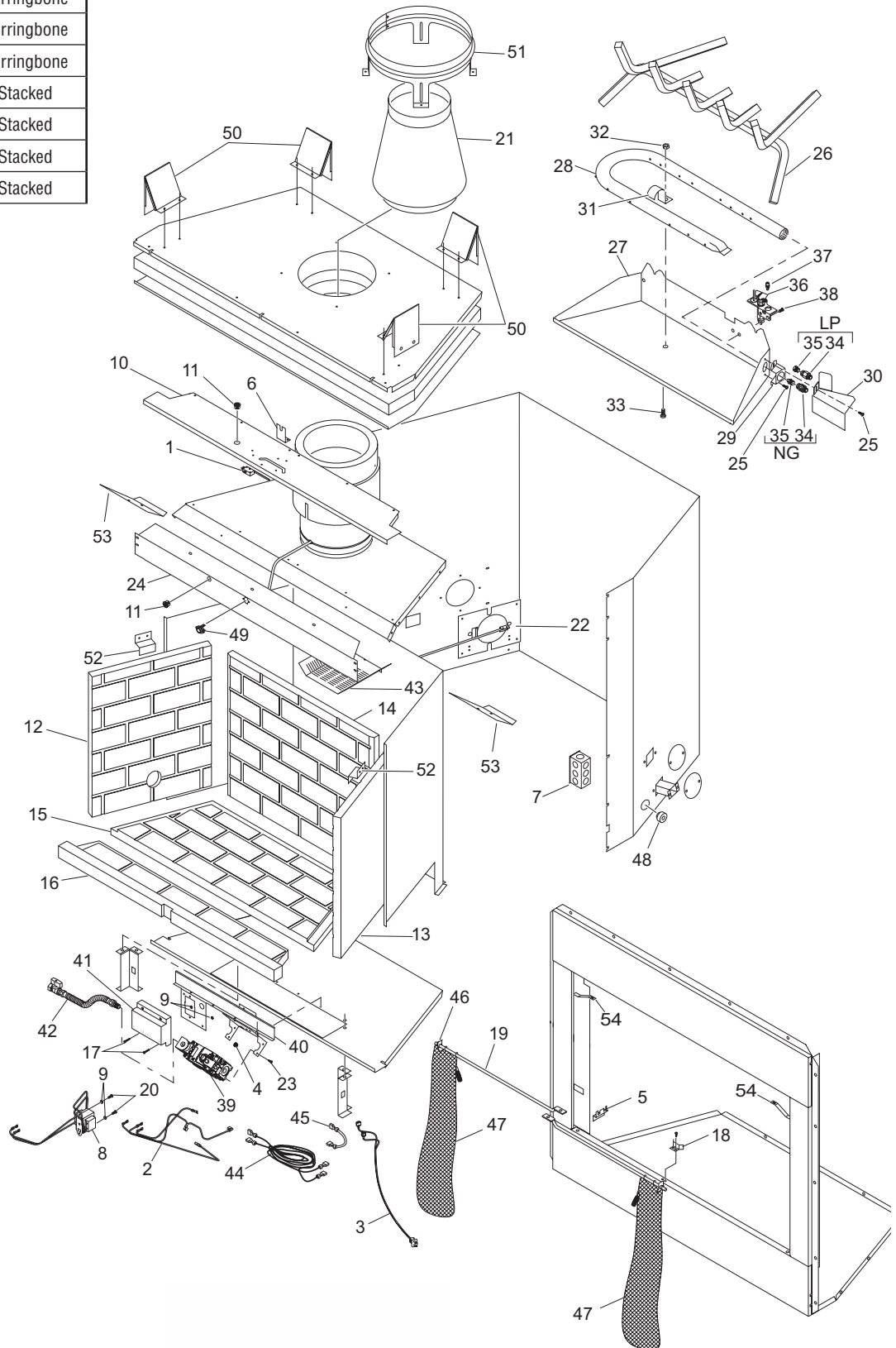
KEY NO.	CATALOG NO.	DESCRIPTION	QTY.
-	J4097	LOG SET	
1	J7242	LOG, REAR 27"	1
2A	J4245	LOG, 11" TOP	1
2B	J4262	LOG, FIRE PIT 15.75" RND "Y"	1
3	J4244	LOG, 13.5" Y TOP SPLIT	1
4	J4261	LOG, 15.75" FIREPIT SPLIT	1
5	J4243	LOG, 16" TOP SPLIT	1
6	J4242	LOG, 11.75" TOP ROUND	1



## PARTS

**⚠ WARNING: Contact an IHP dealer to obtain any of these parts. Never use substitute materials not approved by IHP. Use of non-approved parts can result in poor performance and safety hazards.**

MODEL	CAT. NO.	INTERIOR
F3205	BRT4542TEP-B	White Herringbone
F3204	BRT4542TEN-B	White Herringbone
F3201	BRT4536TEP-B	White Herringbone
F3200	BRT4536TEN-B	White Herringbone
F3213	BRT4342TEP-B	White Stacked
F3212	BRT4342TEN-B	White Stacked
F3209	BRT4336TEP-B	White Stacked
F3208	BRT4336TEN-B	White Stacked



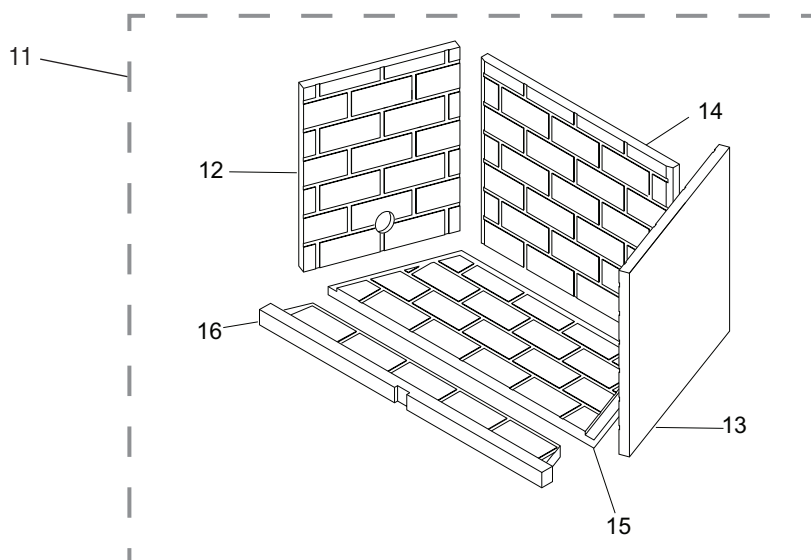
## PARTS

This list contains replaceable parts used in your fireplace. When ordering parts, follow the instructions listed under Replacement Parts on **Page 20** of this manual.

KEY NO.	CATALOG NO.	DESCRIPTION	36" MODELS	42" MODELS	QTY
1	J6811	MICRO SWITCH	•	•	1
2	J4305	HARNESS, WIRE ASSY. ELECT.	•	•	1
3	J4269	PLUG, 24" SUPPLY CONNECT	•	•	1
4	J4270	BUSHING, 0.5" STRAIN RELIEF	•	•	1
5	J3946	RETAINER, AIR ROD	•	•	1
6	J3947	RETAINER, DAMPER ROD	•	•	1
7	J4387	ELECTRICAL DUCT ASSEMBLY	•	•	1
8	J6806	TRANSFORMER	•	•	1
9	J4764	NUT 8-32 HEX ZINC	•	•	4
10	J3952	SEPARATOR, AIR	•	•	1
	J4060	SEPARATOR, AIR M42	•	•	1
11	J4955	BUSHING DBL INSUL	•	•	2
12	See Page 26	LEFT REFRACTORY	•	•	1
13	See Page 26	RIGHT REFRACTORY	•	•	1
14	See Page 26	REAR REFRACTORY	•	•	1
15	See Page 26	BOTTOM REAR REFRACTORY	•	•	1
16	See Page 26	BOTTOM FRONT REFRACTORY	•	•	1
17	J4742	SCREW, #8-32X1" PPH ZINC	•	•	2
18	J6903	STOP, DOOR G36GC17-2	•	•	1
19	J3975	ROD, SCREEN FORMED 36" C.C.	•	•	2
	J4084	ROD, SCREEN FORMED 42" C.C.	•	•	2
20	J4505	SCREW #8-32X1/2 PPH F ZINC	•	•	2
21	J3976	COLLAR, TRANSITION 6" B-VENT	•	•	1
22	J3980	ASSY, AIR KIT DOOR 36"	•	•	1
23	J4503	SCREW #10-32X1/4 PPH ZINC	•	•	4
24	J3992	DEFLECTOR, SMOKE	•	•	1
	J4081	DEFLECTOR, SMOKE	•	•	1
25	J4667	SCREW, #10 X 5/8 PH AB BLK	•	•	2
26	J4054	GRATE, ASSEMBLY	•	•	1
	J4055	GRATE, ASSEMBLY	•	•	1
27	J4048	PAN, BURNER	•	•	1
	J4049	PAN, BURNER	•	•	1
28	J4053	TUBE, BURNER	•	•	1
	J4083	TUBE, BURNER	•	•	1
29	J4051	BRACKET, BURNER	•	•	1
30	J4094	SHIELD, PILOT	•	•	1
	J4095	SHIELD, PILOT	•	•	1
31	J7320	CLIP, BURNER	•	•	1
32	J4769	NUT 10-24 HEX	•	•	1
33	J4605	SCREW 10-24X1/2 PPH MS BLK. OX	•	•	1
34	J7221	HOLDER, INJECTOR (NG)	•	•	1
	J7222	HOLDER, INJECTOR	•	•	1
35	J7203	INJECTOR (NG) #31	•	•	1
	J7204	INJECTOR (NG) #30	•	•	1
	J7220	INJECTOR LP #52	•	•	1
	J7217	INJECTOR, LP #50	•	•	1
36	J4271	PILOT, NAT. PSE NA251 CONV.	•	•	1
	J4272	PILOT, LP PSE LP251 CONV.	•	•	1
37	J4273	ORIFICE, PILOT, LP PSE#A710-BL14	•	•	1
	J4274	ORIFICE, PILOT, NG PSE#A710-BL22	•	•	1
38	J4489	SCREW #8 X 3/8 PPH B ZINC	•	•	2
39	J6856	VALVE, ELEC. SIT GL851EN 822073	•	•	1
	J6857	VALVE, ELEC. SIT GL851EP 822072	•	•	1
40	J4044	BRACKET, VALVE	•	•	1
41	J4407	MODULE, IGNITION	•	•	1
42	J4533	GAS LINE FLEX 18" W/SHUT OFF	•	•	1
43	J6976	DIVERTER, DRAFT GL3000	•	•	1
	J6977	DIVERTER, DRAFT GL4000	•	•	1
44	J4100	HARNESS, WIRE, M36E	•	•	1
45	J4099	HARNESS, WIRE, JUMPER	•	•	1
46	J4956	NUT, PUSH-ON .765 X .445 X .011 BLCK	•	•	2
47	J5666	SCREEN, 22 X 21	•	•	2
	J4085	SCREEN, 26H X 24.5	•	•	2
48	J6802	STRAIN RELIEF	•	•	1
49	H6243	SWITCH, HIGH LIMIT 290 DEG F	•	•	1
50	J6918	SPACER, TOP 42GC17	•	•	4
51	J6893	COLLAR, CHIMNEY STARTER, 36C19-1	•	•	1
52	J6895	RETAINER, REFRACTORY 36E28	•	•	2
53	F2880	EXTENSION DEFLECTOR	•	•	2
	F2881	EXTENSION DEFLECTOR	•	•	2
54	J6905	CLIP, SPRING G36GC16-1	•	•	2
<b>PARTS AVAILABLE NOT SHOWN</b>					
	80L42	VOLCANIC STONE, BAG, #5 PLAIN	•	•	1
	J6900	PLATE, OUTSIDE AIR COVER 36E44-6	•	•	1

## PARTS

**⚠ WARNING:** Contact an IHP dealer to obtain any of these parts. Never use substitute materials not approved by IHP. Use of non-approved parts can result in poor performance and safety hazards.

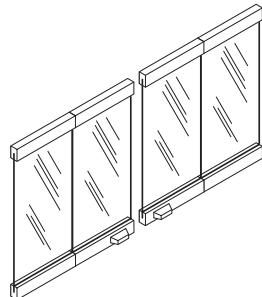
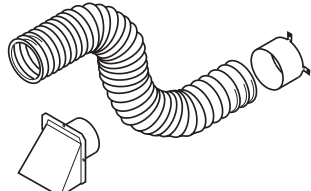
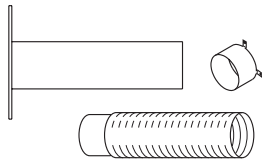




KEY NO.	CATALOG NO.	DESCRIPTION	BRT4336	BRT4536	QTY
			White Stacked	White Herringbone	
11	F3225	Refractory Set, White Herringbone		•	1
11	F3224	Refractory Set, White Stacked	•		1
12	---	Refractory, Left	•	•	1
13	---	Refractory, Right	•	•	1
14	---	Refractory, Rear	•	•	1
15	---	Refractory, Bottom	•	•	1
16	J6379	Refractory, Bottom Front, White Herringbone		•	1
16	J6374	Refractory, Bottom Front, White Stacked	•		1

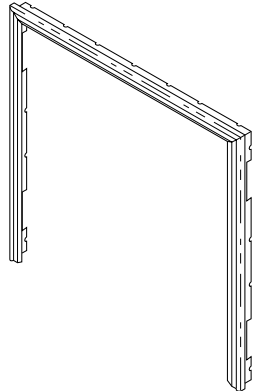



KEY NO.	CATALOG NO.	DESCRIPTION	BRT4342	BRT4542	QTY
			White Stacked	White Herringbone	
11	F3227	Refractory Set, White Herringbone		•	1
11	F3226	Refractory Set, White Stacked	•		1
12	---	Refractory, Left	•	•	1
13	---	Refractory, Right	•	•	1
14	---	Refractory, Rear	•	•	1
15	---	Refractory, Bottom	•	•	1
16	J6395	Refractory, Bottom Front, White Herringbone		•	1
16	J6387	Refractory, Bottom Front, White Stacked	•		1

## ACCESSORIES

**NOTICE:** All accessories may not be available for all fireplace models.

CAT NO.	MODEL	DESCRIPTION	
<b>EXTRUDED ALUMINUM BI-FOLD GLASS DOORS</b>			
F0981	BD36	36" Standard Bi-Fold Glass Door - Black finish	
F0984	BD42	42" Standard Bi-Fold Glass Door - Black finish	
<b>OPTIONAL OUTSIDE AIR KITS</b>			
Optional kit helps offset the negative pressure often existing in today's tightly constructed homes. Negative pressure may occur when other appliances in the home draw on air, possibly leading to poor operation, soot, or spillage.			
F1091	AK4	Complete Outside Air Kit w/Collars Hood & 3' Flex	
F1092	AK4X	4" Air Kit, Collar & Hood Only	
F1094	AK4B	50 piece Bulk Outside Air Kit - Collar Only Kit	
<b>OUTSIDE AIR KIT FOR FLOOR INSTALLATION</b>			
F1093	AK4F	Outside Air Kit Collar, Hood & 3' Flex for Floor Venting	
<b>REMOTE CONTROL KIT</b>			
F2236	RCKIT4001	On/Off Remote and Receiver with White Wall Plate	
<b>REMOTE CONTROL KIT</b>			
F1080	WRC	Standard Electronic On/Off Remote Control Kit	

## ACCESSORIES *Continued*

CAT NO.	MODEL	DESCRIPTION	
<b>PERIMETER TRIM KIT</b>			
F1042	PT36	36" Perimeter Trim Kit - Black	
F1045	PT42	42" Perimeter Trim Kit - Black	
<b>PROPANE/NATURAL GAS CONVERSION KIT</b>			<b>(Not Shown)</b>
F1124	PCBE-36	36": Electronic Ignition - NG to LP	
F1125	NCBE-36	36": Electronic Ignition - LP to NG	
F1128	PCBE-42	42": Electronic Ignition - NG to LP	
F1129	NCBE-42	42": Electronic Ignition - LP to NG	
<b>TOUCH-UP PAINT KITS</b>			
F3373	HTIPSB	Black touch-up paint, firebox interior	
F1882	SCTPSAB	Black touch-up paint, powder coat exterior	
<b>BRICK LINER KIT</b>			<b>(Not Shown)</b>
F1059	BL36	36" Texture Refractory Brick Liner Kit	
F1060	BL36H	36" Texture Refractory Herringbone Brick Liner Kit	
F10561	BL42	42" Texture Refractory Brick Liner Kit	
F1062	BL42H	42" Texture Refractory Herringbone Brick Liner Kit	
<b>REFRACTORY STAIN KITS</b>			 <div style="display: flex; justify-content: space-around; font-size: small;"> <span>Creamer</span> <span>Rust</span> <span>Cappuccino</span> </div>
<p>Use the refractory stain kits to give white refractory panels a new look. Kit includes foam roller handle, paint tray, and one can of stain. Available stain colors are creamer (ivory), Rust (terra cotta), and Cappuccino (rosy taupe).</p>			
H8176	BSK-CR	Stain Kit (Rfry) 1 Qt. Creamer	
H8177	BSK-RT	Stain Kit (Rfry) 1 Qt. Rust	
H8178	BSK-CP	Stain Kit (Rfry) 1 Qt. Cappuccino	







# Innovative Hearth Products Superior® Brand Gas Fireplaces, Stoves and Inserts 20 Year Limited Warranty

## THE WARRANTY

Innovative Hearth Products ("IHP") 20 Year Limited Warranty warrants your Superior® Brand gas fireplace, Stove or Insert ("Product") to be free from defects in materials and workmanship at the time of manufacture. The product body, firebox and barrier carry the 20 Year Limited Warranty. Ceramic glass carries the 20 Year Limited Warranty against thermal breakage only. After installation, if covered components manufactured by IHP are found to be defective in materials or workmanship during the 20 Year Limited Warranty period and while the Product remains at the site of the original installation, IHP will, at its option, repair or replace the covered components. If repair or replacement is not commercially practical, IHP will, at its option, refund the purchase price or wholesale price of the IHP product, whichever is applicable. IHP will also pay IHP prevailing labor rates, as determined in its sole discretion, incurred in repairing or replacing such components for up to five years. THERE ARE EXCLUSIONS AND LIMITATIONS to this 20 Year Limited Warranty as described herein.

## COVERAGE COMMENCEMENT DATE

Warranty coverage begins on the date of purchase. In the case of new home construction, warranty coverage begins on the date of first occupancy of the dwelling or six months after the sale of the Product by an independent IHP dealer/distributor, whichever occurs earlier. The warranty shall commence no later than 24 months following the date of product shipment from IHP, regardless of the installation or occupancy date.

## EXCLUSIONS AND LIMITATIONS

This 20 Year Limited Warranty applies only if the Product is installed in the United States or Canada and only if operated and maintained in accordance with the printed instructions accompanying the Product and in compliance with all applicable installation and building codes and good trade practices.

This warranty is non-transferable and extends to the original owner only. The Product must be purchased through a listed supplier of IHP and proof of purchase must be provided. The product body, firebox and barrier carry the 20 Year Limited Warranty from the date of installation. Vent components, trim components and paint are excluded from this 20 Year Limited Warranty. The following do not carry the 20 Year Limited Warranty but are warranted as follows:

- Burner** – Repair or replacement for one year from the date of installation
- Gas components** – Repair or replacement for one year from the date of installation
- Gaskets** – Repair or replacement for one year from the date of installation
- Logs** – Replacement for one year from the date of installation against thermal breakage only
- Optional blowers & remote controls** – Repair or replacement for one year from the date of installation
- Optional glass doors** – Repair or replacement for 90 days from the date of installation
- Tempered glass** - Replacement for one year from the date of installation
- Labor coverage** – Prevailing IHP labor rates apply for the warranty period of the component

**Parts not otherwise listed carry a 90 day warranty from the date of installation.**

**Whenever practicable, IHP will provide replacement parts, if available, for a period of 10 years from the last date of manufacture of the Product.**

IHP will not be responsible for: (a) damages caused by normal wear and tear, accident, riot, fire, flood or acts of God; (b) damages caused by abuse, negligence, misuse, or unauthorized alteration or repair of the Product affecting its stability or performance (The Product must be subjected to normal use. The Product is designed to burn either natural or propane gas only. Burning conventional fuels such as wood, coal or any other solid fuel will cause damage to the Product, will produce excessive temperatures and could result in a fire hazard.); (c) damages caused by failing to provide proper maintenance and service in accordance with the instructions provided with the Product; (d) damages, repairs or inefficiency resulting from faulty installation or application of the Product.

IHP is not responsible for inadequate fireplace system draft caused by air conditioning and heating systems, mechanical ventilation systems, or general construction conditions which may generate negative pressure in the room in which the appliance is installed. Additionally IHP assumes no responsibility for drafting conditions caused by venting configurations, adjoining trees or buildings, adverse wind conditions or unusual environmental factors and conditions that affect the operation of the unit.

This 20 Year Limited Warranty covers only parts and labor as provided herein. In no case shall IHP be responsible for materials, components or construction, which are not manufactured or supplied by IHP or for the labor necessary to install, repair or remove such materials, components or construction. Additional utility bills incurred due to any malfunction or defect in equipment are not covered by this warranty. All replacement or repair components will be shipped F.O.B. from the nearest stocking IHP factory.

## LIMITATION ON LIABILITY

It is expressly agreed and understood that IHP's sole obligation and the purchaser's exclusive remedy under this warranty, under any other warranty, expressed or implied, or in contract, tort or otherwise, shall be limited to replacement, repair, or refund, as specified herein.

In no event shall IHP be liable for any incidental or consequential damages caused by defects in the Product, whether such damage occurs or is discovered before or after repair or replacement, and whether such damage is caused by IHP's negligence. IHP has not made and does not make any representation or warranty of fitness for a particular use or purpose, and there is no implied condition of fitness for a particular use or purpose.

IHP makes no expressed warranties except as stated in this 20 Year Limited Warranty. The duration of any implied warranty is limited to the duration of this expressed warranty.

No one is authorized to change this 20 Year Limited Warranty or to create for IHP any other obligation or liability in connection with the Product. Some states and provinces do not allow the exclusion or limitation of incidental or consequential damages, so the above limitations or exclusions may not apply to you. The provisions of this 20 Year Limited Warranty are in addition to and not a modification of or subtraction from any statutory warranties and other rights and remedies provided by law.

## INVESTIGATION OF CLAIMS AGAINST WARRANTY

IHP reserves the right to investigate any and all claims against this 20 Year Limited Warranty and to decide, in its sole discretion, upon the method of settlement.

To receive the benefits and advantages described in this 20 Year Limited Warranty, the appliance must be installed and repaired by a licensed contractor approved by IHP.

Contact IHP at the address provided herein to obtain a listing of approved dealers/distributors. **IHP shall in no event be responsible for any warranty work done by a contractor that is not approved without first obtaining IHP's prior written consent.**

Record the following important information about your fireplace:

Fireplace model number	
Fireplace serial number	
Date fireplace was Installed	
Type of gas fireplace uses	
Dealer name	

---

IHP reserves the right to make changes at any time, without notice, in design, materials, specifications, prices and also to discontinue colors, styles and products. Consult your local distributor for fireplace code information.

