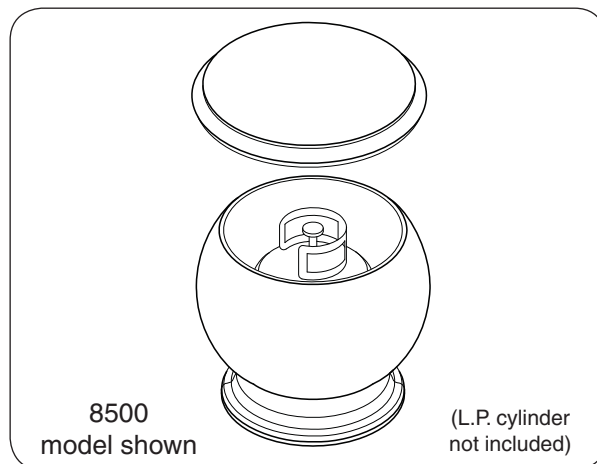


# Tank/End Table Instructions

**Series:**  
8500, 8510, 8199

**INSTALLER:** Leave these instructions with consumer.  
**CONSUMER:** Retain for future reference.

**⚠ WARNING: For Outdoor Use Only**



**This tank/end table is for use with AFD fire units (firetables, fire pits, fire urns, fireplaces, etc.) that do not accommodate propane (L.P.) cylinders.**

**CAUTION:** Ensure the tank table remains properly vented. Keep the vent openings and surrounding area of the tank table clean and free of obstructions at all times.

**CAUTION:** FOLLOW ALL THE SAFETY WARNINGS AND INFORMATION FOUND IN THIS INSTRUCTION, ON YOUR L.P. CYLINDER, AND IN YOUR FIRE UNIT OWNER'S MANUAL ABOUT SAFE STORAGE AND USE OF PROPANE GAS.

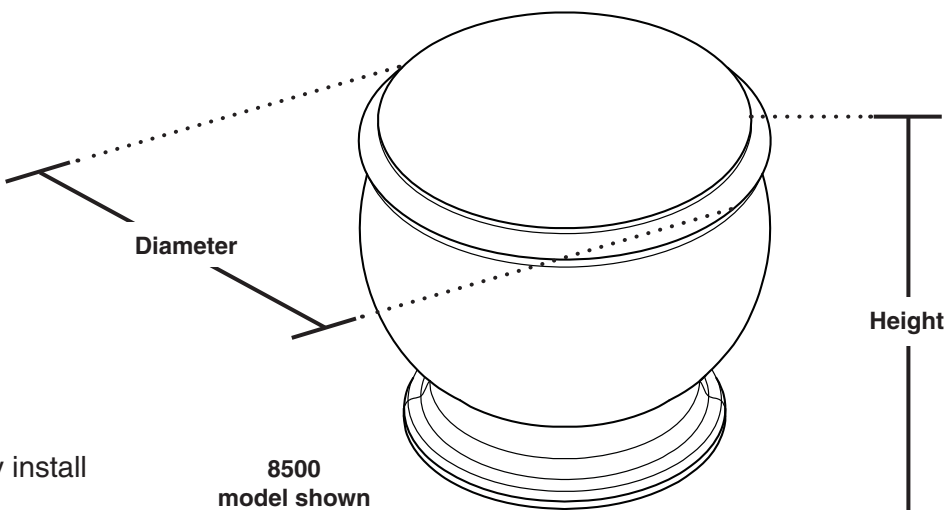
**Important:** Prior to installation ensure that all specifications, dimensions, and minimum clearances stated in your fire unit owner's manual are observed. You must read all warnings and safety information, and understand all of the information in this instruction **AND** in your fire unit owner's manual. **All installation requirements must be observed and met.**

**This unit must be installed per this instruction.**

## SPECIFICATIONS AND DIMENSIONS

	Series		
	8500	8510	8199
Style	Amphora	Contempo	Rain Drum
Dimensions (w/ top in place)	24" dia. x 19-3/4" h	17" dia. x 19-1/4" h	21-3/4" dia. x 22-1/4" h

**Table 1 - Tank/End Table Specifications**



## TOOLS REQUIRED

- 2 assemblers recommended
- Appropriate tools for gas supply install

# INSTALLATION

## LOCATION

**Important:** The fire unit and the gas supply lines must be considered along with the tank table when determining the location for placement. See the **GAS SUPPLY SETUP** section of your fire unit owner's manual for more details.

## CONNECT GAS SUPPLY TO FIRE UNIT

The tank table must be located in a safe location, within reach of the fire unit's valve connections. An appropriate hose assembly must be purchased separately, properly connected to the flex connector (marked IN) that is coming off the valve assembly, and routed through the side of the fire unit (near floor) to the tank table. Observe all codes. For complete details on connecting the hose to your fire unit, follow the instructions in your main fire unit owner's manual.

## PLACE THE TANK TABLE

1. Place the tank table in the previously determined location.

**Note:** The notch (bottom opening) at floor of the base is to be facing toward the rear or where the gas hose will be feeding from (see Fig. 2-1).

## INSTALL PROPANE (L.P.) CYLINDER

**Important:** Before installation, be sure the L.P. cylinder valve is fully closed.

1. Route the regulator hose assembly (that was previously connected to the fire unit valve assembly) to the tank table and through the bottom opening (see Fig. 2-1).

**Note:** The base will need to be lifted slightly to properly insert the regulator end of the hose assembly into the base.

**Important:** Locate the gas supply line out of pathways where people may trip over it or in areas where the line may be subject to accidental damage.

2. The L.P. cylinder (not included) is to be located inside the base of the tank table. To place the cylinder, remove the table top piece, then insert the cylinder (see Fig. 2-2).
3. Attach the regulator end of the hose assembly to the L.P. cylinder and tighten (see Fig. 2-3).

## LEAK TEST

Turn on the gas supply, and test at all connections for leaks using a soapy water solution. If bubbles appear, a leak is present. Turn off the gas and tighten at all connections. Repeat until no leaks are present. If a leak persists, turn off the gas supply and contact the local gas company or dealer. **NEVER USE A FLAME TO CHECK FOR LEAKS.**

## REPLACE TOP PIECE

Replace the top piece (that was previously removed during the assembly section). Ensure the top is secure in place.

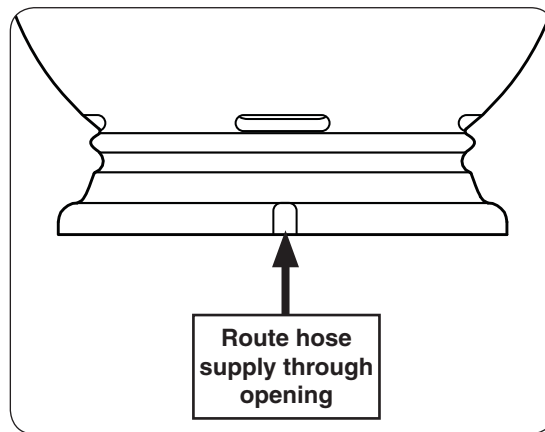


Fig. 2-1 Hose feed location

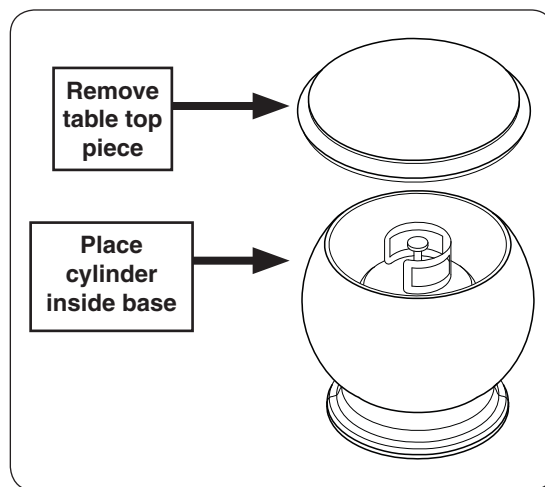


Fig. 2-2 L.P. cylinder placement

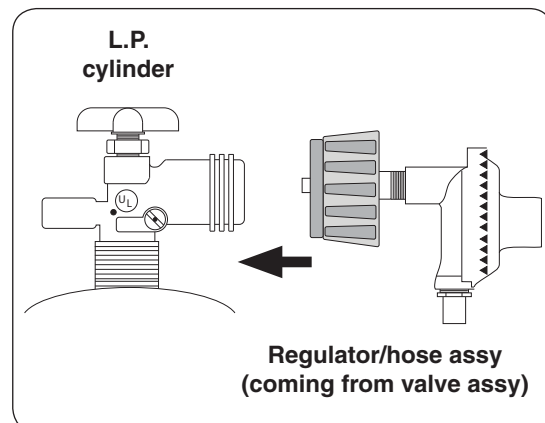


Fig. 2-3 Connect to the L.P. cylinder

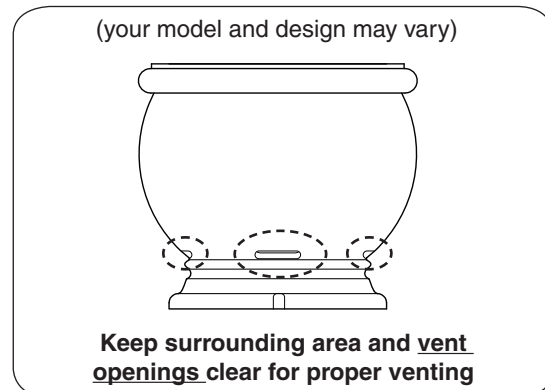


Fig. 2-4 Keep vent openings clear

# SAFE USE & MAINTENANCE OF PROPANE GAS CYLINDERS

## IMPORTANT FOR YOUR SAFETY

### READ AND FOLLOW ALL WARNINGS PROVIDED WITH THE PROPANE-GAS CYLINDER.

When operating this appliance with a propane-gas cylinder, these instructions and warnings **MUST** be observed.

**FAILURE TO DO SO MAY RESULT IN A SERIOUS FIRE OR EXPLOSION.**

## CYLINDER/CONNECTOR REQUIREMENTS

- a. Propane-gas cylinders, valves, and hoses must be maintained in good condition and must be replaced if there is visible damage to either the cylinder or valve. If the hose is cut or shows excessive abrasion or wear, it must be replaced before using the gas appliance (see e.).
- b. This unit, when used with a cylinder, should be connected to a standard 5-gallon (20 lb.) propane-gas cylinder equipped with an OPD (Overfill Prevention Device). The OPD has been required on all cylinders sold since October 1, 1998, to prevent overfilling.
- c. Cylinder dimensions should be approximately 12" (30.5 cm) in diameter and 18" (45.7 cm) high. Cylinders must be constructed and marked in accordance with the *Specifications for Propane Gas Cylinders of the U.S. Department of Transportation (D.O.T.)* or the National Standard of Canada, *CAN/CSA-B339, Cylinders, Spheres, and Tubes for Transportation of Dangerous Goods*.
- d. The cylinder used must include a collar to protect the cylinder valve, and the cylinder supply system must be arranged for vapor withdrawal.
- e. The pressure regulator and hose assembly used must match the specification for Type I by *ANSI Z 21.58/CGA 1.6* (see Fig. 3-1).
- f. The propane-gas cylinder valve must be equipped with a cylinder connection coupling device, described as Type I in the standard defined in paragraph e. above. This device is commonly described as an Acme thread quick coupler.
- g. If the propane-gas cylinder comes with a dust plug, place the dust cap on the cylinder valve outlet whenever the cylinder is not in use.

## QUICK COUPLER OPERATION

**To connect the regulator/hose assembly to the propane-gas cylinder valve fitting:** Press the hand nut on the regulator over the Acme thread fitting on the cylinder valve. Turn the hand nut clockwise to engage the threads and tighten until snug.

The use of pliers or a wrench should not be necessary. Only cylinders marked "propane" may be used.

**To disconnect:** Turn the hand nut counterclockwise until detached (Fig. 3-1).

**Important:** Before using the unit, and after each time the cylinder is removed and reattached, check the hose for wear (see a.) and check all connections for leaks. Turn off the unit valves and open the main cylinder valve, then check connections with soapy water. Repair any leaks before lighting the unit.

**CAUTION:** Always turn the propane cylinder main valve off after each use, and before moving the unit and cylinder or disconnecting the coupling. This valve must remain closed and the cylinder disconnected while the appliance is not in use, even though the gas flow is stopped by a safety feature when the coupler is disconnected.

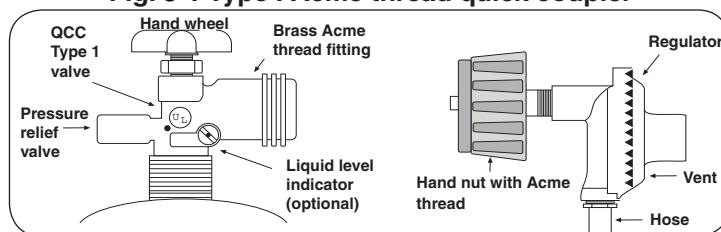
**Carefully** inspect the hose assembly each time before the gas is turned on. A cracked or frayed hose must be replaced immediately.

If the appliance is stored indoors, the cylinder must be disconnected and removed. Disconnected cylinders must be stored outdoors, out of the reach of children, with threaded valve plugs tightly installed, and must not be stored in a building, garage, or any other enclosed area.

## FOR YOUR SAFETY

- a. DO NOT store a spare propane-gas cylinder under or near this appliance.
- b. NEVER fill the cylinder beyond 80-percent full.
- c. IF THE INFORMATION IN a. AND b. IS NOT FOLLOWED EXACTLY, A FIRE CAUSING DEATH OR SERIOUS INJURY MAY OCCUR.

**Fig. 3-1 Type I Acme thread quick coupler**



## NOTES PAGE

Please use this page to record any information that you may want to have at hand.