



# IgniteXL® Bold

## 88" Linear Electric Fireplace

XLF8817-XD

Design with freedom.  
Design to impress.

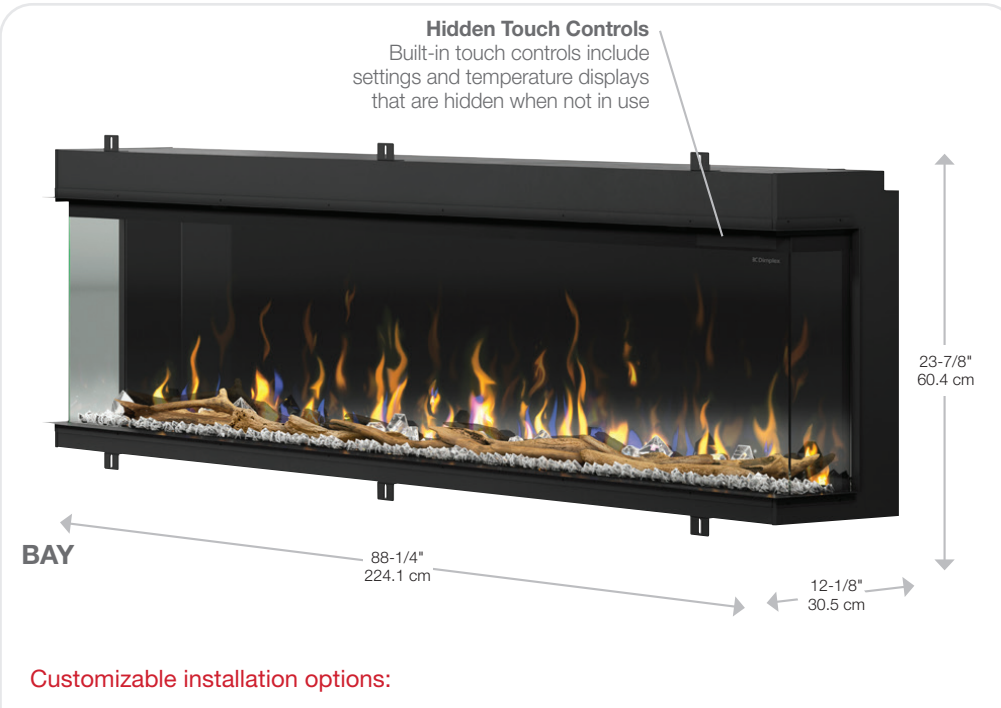


Design to impress with the IgniteXL® Bold Linear Electric Fireplace. This modern, built-in fireplace creates the illusion of incredible depth, while advanced controls maximize enjoyment and allow you to add your own personalized touch. With industry leading flexible installation options in one design; or make a bold statement and connect multiple units together for a grand, modern masterpiece.

**IGNITE XL BOLD**

## IgniteXL® Bold 88" Linear Electric Fireplace

## XLF8817-XD



### Features

-  **Multi-Fire® XD Flame Effect**  
Vivid flames that are brighter and more lifelike day or night, featuring a new multi-layered color effect that creates a sense of depth. Color settings can be controlled independently or combined in one of five presets.
-  **Media Accent Color/Top Light**  
Customize the fireplace interior by adjusting the media bed and top light - select from a range of preset colors or scroll through Prism mode and freeze on your favourite look.
-  **Modern Media Bed**  
A stylish multi-media bed includes small and large acrylic crystals with natural-looking driftwood.
-  **Bigger, Better Viewing**  
Elevate fireplace enjoyment with an impressive 16" (40.6 cm) high viewing area.
-  **ComfortSaver® Heating System**  
Concealed heater with safe ceramic heat, plus 11% energy savings, warms up to 1,000 sq. ft.
-  **Eco/Heat Boost**  
Eco reduces the wattage range to maintain a comfortable heat setting, while boost quickly warms a room using maximum heat output for up to 20 minutes.
-  **Air Circulation Mode**  
A smart feature that moves room air to keep it fresher.
-  **Ambient Light Sensor**  
Automatically adjusts firebox light to suit the room day to night.
-  **Built-in Timer**  
Set timer to automatically shut off the fireplace after a preset time, up to 8 hrs.
-  **Heat Management**  
Enjoy the ambiance of a fire during the warmer months by deactivating the heater via the controls or hard disconnect the heater during installation when heat is not required.

-  **Smart Self-Diagnostics**  
Integrated smart technology that works behind the scenes to enhance the performance of your fireplace by providing maintenance and operation feedback.

-  **Hardwire or Plug-in**  
Designed to be direct-wired to a 120 or 240 volt circuit for a seamless look (optional plug kit available).

### Customizable installation options:



LEFT

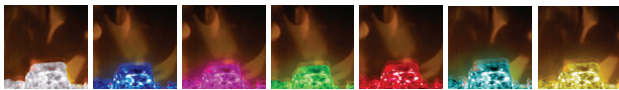



RIGHT



FRONT

### Media Bed Color Themes



-  **Mood-maker Remote**  
Customize the flame/media color and intensity for a fireplace that reflects your personality.

120 Volts | 1,500 Watts | 5,000 BTU | 12.5 Amp  
240 Volts | 2,500 Watts | 8,530 BTU | 10.4 Amps

Model #	Description	Lbs/ Kg	UPC	Wty.	Carton Dimensions (WxHxD)		Cube	
					inches	cm	Ft³	M³
XLF8817-XD	88" Linear Electric Fireplace		781052 137264	5 yr.				
XLFXDPLUG	Plug Kit							
XLFXDLINK	Linking Bracket for Modular Installation							



## Modular Installation

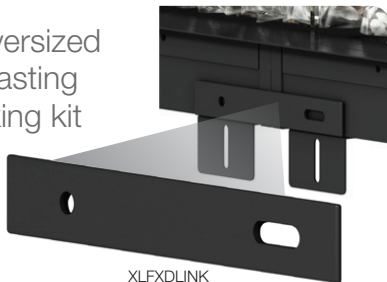
## XLF-XD Series



**Left**

Shown with three - 60" units (XLF6017-XD) linked together and the left side panel removed for a corner and front viewing area.

To get a dramatically oversized fireplace that makes a lasting impression, use the linking kit and combine multiple units in a series to achieve your desired length.



**Bay**

Shown with three - 60" units



**Front**

Shown with three - 60" units



**Right**

Shown with three - 60" units

### IgniteXL Bold versus Modular Gas

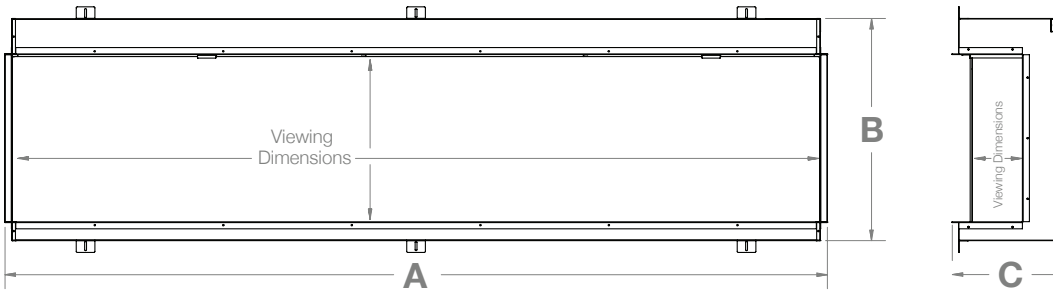
- Showcase your bold statement of a fireplace with or without the heat – you'll have more heat than you need
- Electric fireplaces convert 100% of input energy to heat, reducing the environmental impact and increasing energy efficiency
- No combustion, no carbon monoxide, front glass that is cool to the touch, and you can even deactivate the heater
- No venting or piping required and the unit can be placed anywhere a standard electrical outlet or connection exists

# IgniteXL® Bold

## 88" Linear Electric Fireplace

XLF8817-XD

### Product Dimensions:



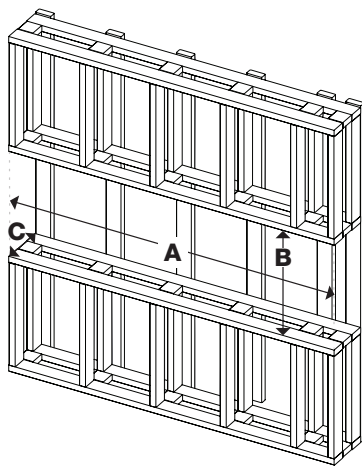
Product	A WIDTH (in/cm)	B HEIGHT (in/cm)	C DEPTH (in/cm)	VIEWING DIMENSION - WxHxD (in/cm)
XLF8817-XD	88-1/4 (224.1)	23-7/8 (60.7)	12-1/8 (30.5)	61-5/8 x 16 x 5-1/2 (124.6 x 40.6 x 14.0)

### Framing Dimensions:

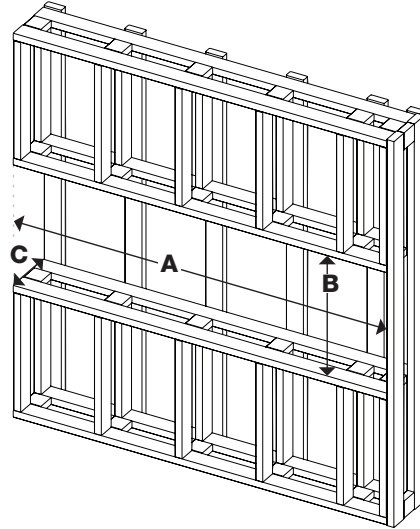
Width	Height	Depth (minimum)
A	B	C
87-1/4" 221.5 cm	24-1/4" 61.6 cm	11-5/8" 29.5 cm

The dimensions are the same for single-sided, two-sided, or three-sided installations.

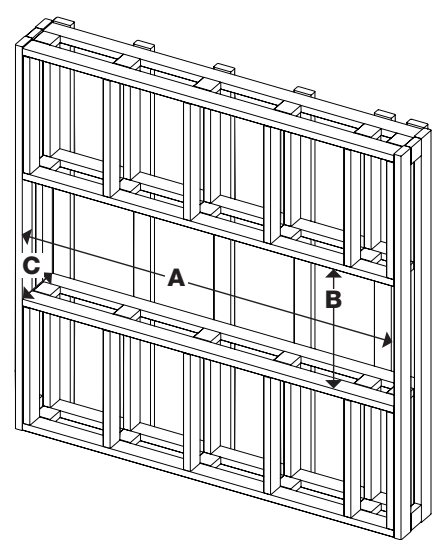
Bay Installation



Right/Left Corner Installation



Front Installation



**CAUTION:** This fireplace is NOT load-bearing. Ensure the opening for the fireplace is framed in such a way that the weight of the building materials will not create pressure on the top of the fireplace.

**NOTE:** Wiring is performed at the top right back corner of the firebox. Plan the framing to allow routing the power cable to this location.

**NOTE:** It is recommended that the bottom of the unit be mounted between 20 in. and 40 in from the ground to maintain an optimized viewing angle of the flame.