

Superior
FIREPLACES®
Our name is our promise.



The WRT8000 is a premium wood burning fireplace that features an astounding 42" tall opening paired with a low profile, flush to hearth design. Interior liner options include a choice of Mosaic Masonry kiln-fired firebrick liners in a split herringbone pattern and a variety of designer colors. For a large classic masonry fireplace look and feel the WRT8000 is the perfect choice.



FEATURED WRT8048 fireplace with Ivory Split Herringbone Mosaic Masonry™ brick

STANDARD FEATURES

- 🔥 Available in a 48" wide and 42" tall opening to provide an exceptional view of the fire
- 🔥 Flush hearth floor design (hearth spacer required for combustible floor installations)
- 🔥 Massive smoke dome with no visible smoke shelf for reliable operation
- 🔥 Fully insulated firebox for increased performance in colder climates
- 🔥 Mosaic Masonry Firebrick available in a split herringbone pattern and variety of colors (one required)
- 🔥 Heavy duty steel grate with rugged forged andirons
- 🔥 Easy access damper control
- 🔥 Includes mesh fire screens
- 🔥 Optional glass door available in black trim finish for improved safety
- 🔥 Dual (left hand/right hand) outside air kits available for maximum performance
- 🔥 Durable textured powder coat finish
- 🔥 Uses IHP 12 DM (1700°) double wall air cooled wood burning chimney
- 🔥 Uses IHP 12 HT (2100°) heavy gauge double wall air cooled wood burning chimney, recommended for cold climates (required for Canada)
- 🔥 20 Year Limited Warranty

MOSAIC MASONRY FIREBRICK LINERS

Mosaic Masonry liners are constructed with true kiln fired firebricks and mortared joints for a classic masonry fireplace appearance. Offered in a variety of solid colors in a split herringbone pattern.



INTERIOR



Midnight



Slate Grey

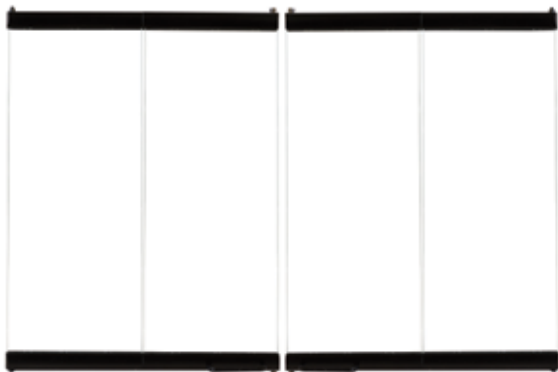


Warm Red



Ivory

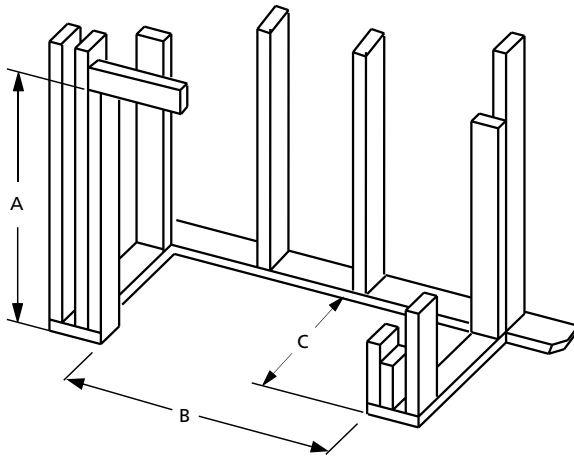
OPTIONS



Expertly crafted bi-fold glass doors in an Ebony finish.



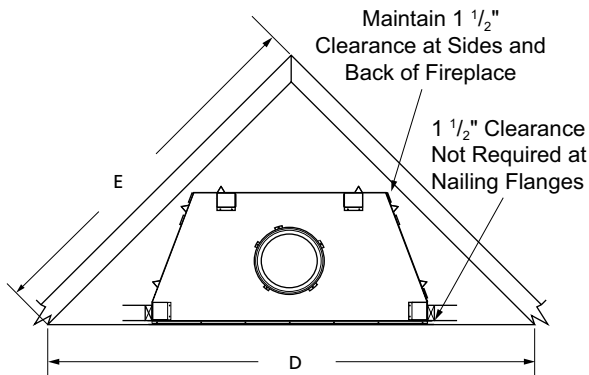
FLAT WALL FRAMING SPECIFICATIONS



WRT8048

A	76-3/8" with hearth spacers	71-1/2" with no spacers
B	60-7/8"	
C	31-5/8"	

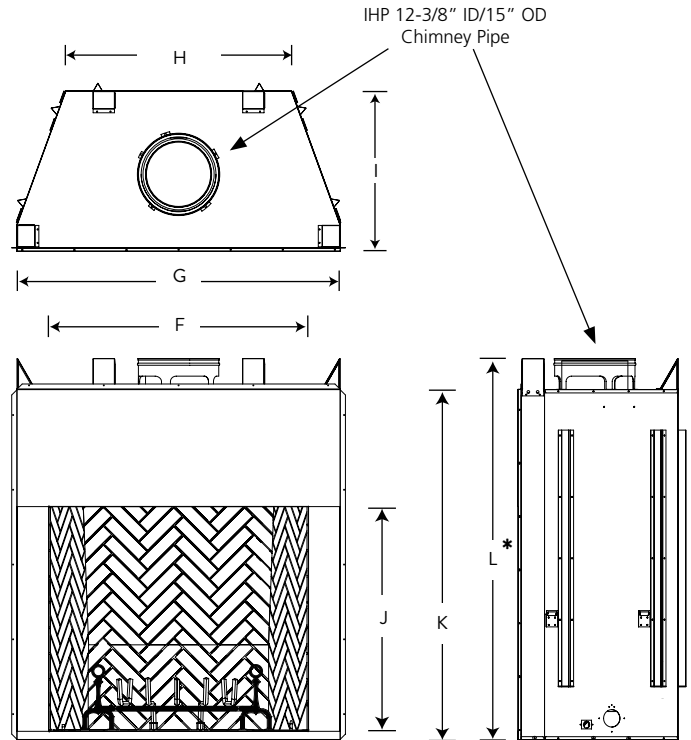
CORNER FRAMING SPECIFICATIONS



WRT8048

D	107-3/8"
E	78-7/8"

APPLIANCE SPECIFICATIONS



WRT8048

F	48"
G	60-5/8"
H	42-3/8"
I	30"
J	42"
K	65-3/4"
L	76-1/4" * includes hearth spacer

ON THE COVER: WRT8000 Fireplace with ivory Split Herringbone Mosaic Masonry™ brick

IMPORTANT NOTES:

As with any fireplace, this appliance is extremely hot during operation. Read and understand all operating instructions before using this appliance. For further information, consult your dealer.

Local conditions, such as elevation, wind, vent configuration and choice of fuel will affect overall appearance of the fire and heating performance. Performance can also vary with home design and insulation, climate, condition and type of fuel used, appliance location, burn rate, accessories chosen, chimney installation and how the appliance is operated.

Diagrams, illustrations and photographs are not to scale—consult installation instructions. Product designs, materials, dimensions, specifications, colors and prices are subject to change or discontinuance without notice.



© 2021 Innovative Hearth Products

785730M 02/21

PFS
C US
Report #F09-095

