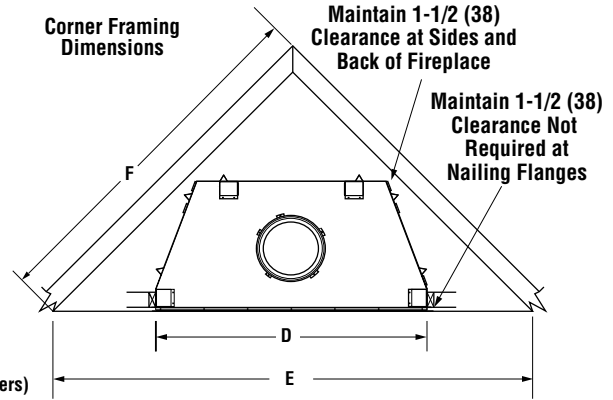
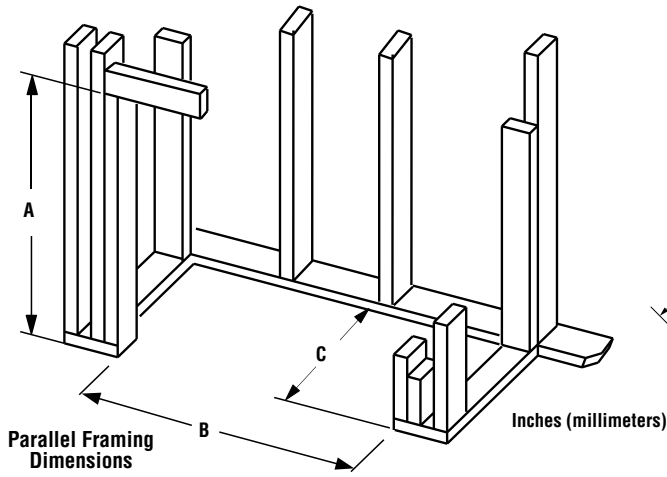


WRT6000 36/42/50 SERIES

WOOD-BURNING FIREPLACES (Box only, Mosaic Masonry Brick Liner Required)

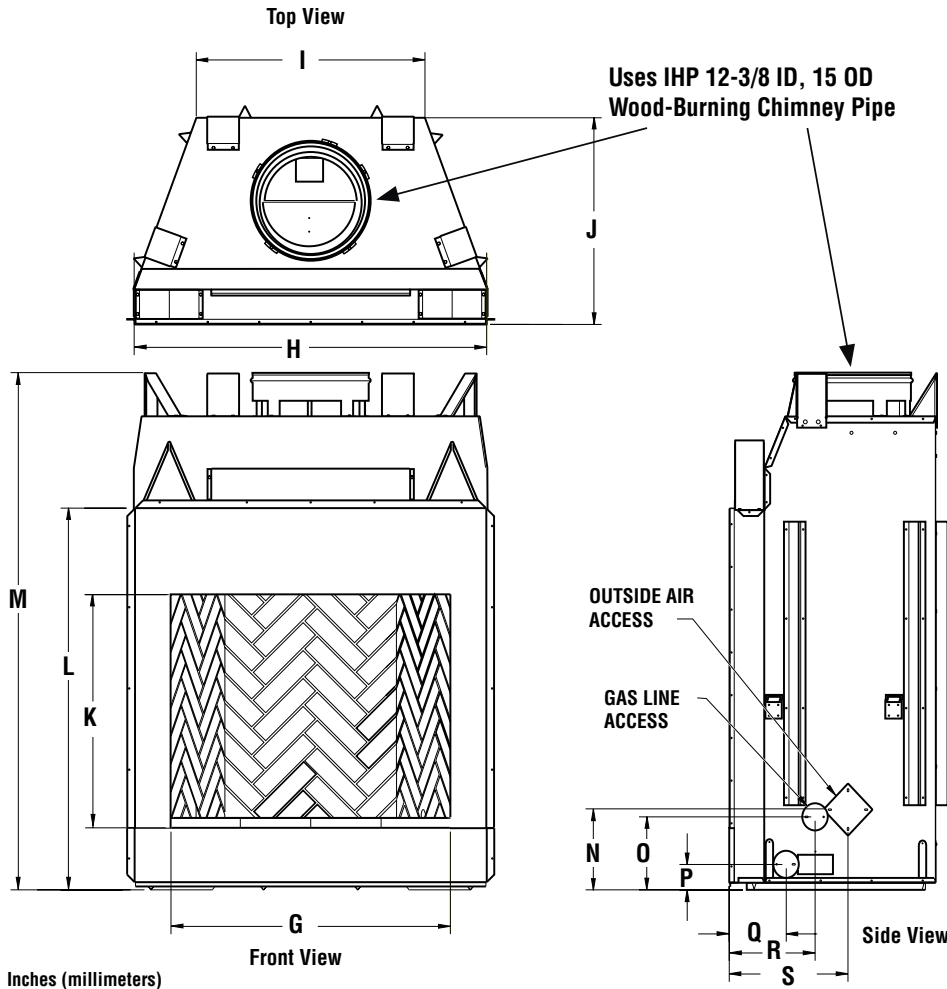
Framing Dimensions



	36" Models	42" Models	50" Models
A	67-1/8 (1705)	67-1/8 (1705)	67-1/8 (1705)
B	45-5/8 (1159)	51-5/8 (1312)	59-3/4 (1518)
C	28-1/4 (718)	30-1/8 (766)	30-1/8 (766)

	36" Models	42" Models	50" Models
D	45-1/4 (1150)	51-1/4 (1302)	59-1/4 (1505)
E	86-1/2 (2197)	92 (2337)	100 (2540)
F	61 (1550)	65 (1651)	71 (1804)

Fireplace Dimensions



	36" Model	42" Model	50" Model
G	36 (915)	42 (1067)	50 (1270)
H	45-1/8 (1147)	51-1/8 (1299)	59-1/4 (1505)
I	29 (737)	30-1/2 (775)	38-1/2 (978)
J	26-5/8 (677)	29 (737)	29 (737)
K	30 (762)	30 (762)	30 (762)
L	49 (1245)	49 (1245)	49 (1245)
M	67 (1702)	67 (1702)	67 (1702)
N	10-1/2 (267)	10-1/2 (267)	10-1/2 (267)
O	9-1/2 (242)	9-1/2 (242)	9-1/2 (242)
P	3-1/2 (89)	3-1/2 (89)	3-1/2 (89)
Q	7-1/4 (185)	8-1/2 (216)	8-1/2 (216)
R	11 (280)	13 (331)	13 (331)
S	15-1/4 (388)	17 (432)	17 (432)

WRT6000 36/42/50 SERIES

Fireplace Reference Information

Cat. No.	Model	Shipping Wt.	Shipping Vol.	Cat. No.	Model	Shipping Wt.	Shipping Vol.	Cat. No.	Model	Shipping Wt.	Shipping Vol.
F4219	WRT6036	580 lb.	131.6 cu. ft.	F4220	WRT6042	660 lb.	131.6 cu. ft.	F4221	WRT6050	750 lb.	131.6 cu. ft.

Mosaic Masonry Brick Reference Information

Cat. No.	Model	Shipping Wt.	Shipping Vol.
F0334	Mosaic36WRFS	421 lb.	24.5 cu. ft.
F0335	Mosaic36WRSS	421 lb.	24.5 cu. ft.
F0336	Mosaic36IVFS	421 lb.	24.5 cu. ft.
F0337	Mosaic36IVSS	421 lb.	24.5 cu. ft.
F0338	Mosaic36WRFH	421 lb.	24.5 cu. ft.
F0339	Mosaic36WRSH	421 lb.	24.5 cu. ft.
F0340	Mosaic36IVFH	421 lb.	24.5 cu. ft.
F0341	Mosaic36IVSH	421 lb.	24.5 cu. ft.
F4521	Mosaic36MIFS	421 lb.	24.5 cu. ft.
F4524	Mosaic36MISS	421 lb.	24.5 cu. ft.
F4527	Mosaic36MIFH	421 lb.	24.5 cu. ft.
F4530	Mosaic36MISH	421 lb.	24.5 cu. ft.
F4533	Mosaic36SGFS	421 lb.	24.5 cu. ft.
F4536	Mosaic36SGSS	421 lb.	24.5 cu. ft.
F4539	Mosaic36SGFH	421 lb.	24.5 cu. ft.
F4542	Mosaic36SGSH	421 lb.	24.5 cu. ft.

Mosaic Masonry Brick Reference Information

Cat. No.	Model	Shipping Wt.	Shipping Vol.
F0342	Mosaic42WRFS	445 lb.	24.5 cu. ft.
F0343	Mosaic42WRSS	445 lb.	24.5 cu. ft.
F0344	Mosaic42IVFS	445 lb.	24.5 cu. ft.
F0345	Mosaic42IVSS	445 lb.	24.5 cu. ft.
F0346	Mosaic42WRFH	445 lb.	24.5 cu. ft.
F0347	Mosaic42WRSH	445 lb.	24.5 cu. ft.
F0348	Mosaic42IVFH	445 lb.	24.5 cu. ft.
F0349	Mosaic42IVSH	445 lb.	24.5 cu. ft.
F4522	Mosaic42MIFS	445 lb.	24.5 cu. ft.
F4525	Mosaic42MISS	445 lb.	24.5 cu. ft.
F4528	Mosaic42MIFH	445 lb.	24.5 cu. ft.
F4531	Mosaic42MISH	445 lb.	24.5 cu. ft.
F4534	Mosaic42SGFS	445 lb.	24.5 cu. ft.
F4537	Mosaic42SGSS	445 lb.	24.5 cu. ft.
F4540	Mosaic42SGFH	445 lb.	24.5 cu. ft.
F4543	Mosaic42SGSH	445 lb.	24.5 cu. ft.

Mosaic Masonry Brick Reference Information

Cat. No.	Model	Shipping Wt.	Shipping Vol.
F0350	Mosaic50WRFS	498 lb.	24.5 cu. ft.
F0351	Mosaic50WRSS	498 lb.	24.5 cu. ft.
F0352	Mosaic50IVFS	498 lb.	24.5 cu. ft.
F0353	Mosaic50IVSS	498 lb.	24.5 cu. ft.
F0354	Mosaic50WRFH	498 lb.	24.5 cu. ft.
F0355	Mosaic50WRSH	498 lb.	24.5 cu. ft.
F0356	Mosaic50IVFH	498 lb.	24.5 cu. ft.
F0357	Mosaic50IVSH	498 lb.	24.5 cu. ft.
F4523	Mosaic50MIFS	498 lb.	24.5 cu. ft.
F4526	Mosaic50MISS	498 lb.	24.5 cu. ft.
F4529	Mosaic50MIFH	498 lb.	24.5 cu. ft.
F4532	Mosaic50MISH	498 lb.	24.5 cu. ft.
F4535	Mosaic50SGFS	498 lb.	24.5 cu. ft.
F4538	Mosaic50SGSS	498 lb.	24.5 cu. ft.
F4541	Mosaic50SGFH	498 lb.	24.5 cu. ft.
F4544	Mosaic50SGSH	498 lb.	24.5 cu. ft.

Listing Information



Report No. F09-095

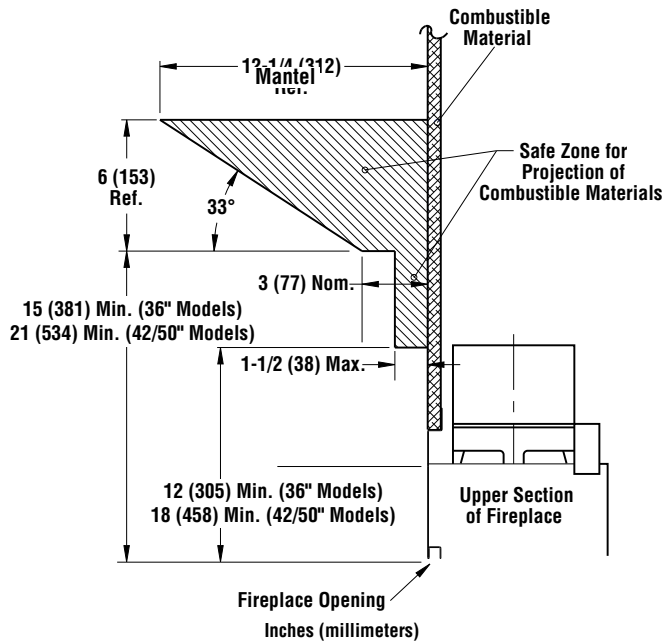
These fireplaces have been tested and approved by PFS Corporation under UL 127/ULC-S610 standard as a Factory Built Appliance and may be used with gas logs approved to ANSI Z21.60, Z21.84 or Z21.11.2 standards.

Product Information

Clearances

Mantel Clearances

Side View



Clearances to Combustibles

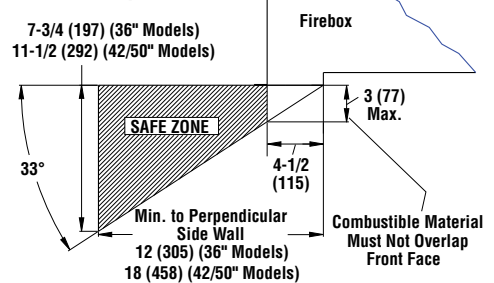
Description	Min. Clearance
Back and sides of fireplace	1-1/2 (38) *
Ceiling	42 (1067)
Front of fireplace	48 (1220)
Floor	0 (0) **
Perpendicular wall to opening (42" & 50" Models)	18 (458)
Perpendicular wall to opening (36" Models)	12 (305)
Top spacers	0 (0)
Chimney outer pipe surface (42" & 50" Models)	2 (51)
Chimney outer pipe surface (36" Models)	1 (26)

* Not required at nailing flanges

** See step 2 of Framing in the Installation and Operation Manual

Side Wall Clearances

Top View



Venting

Venting

Uses Standard (12DM) and Hi-Temp (12HT) Wood-Burning Chimney and Hi-Temp (12HT) Wood-Burning Chimney

