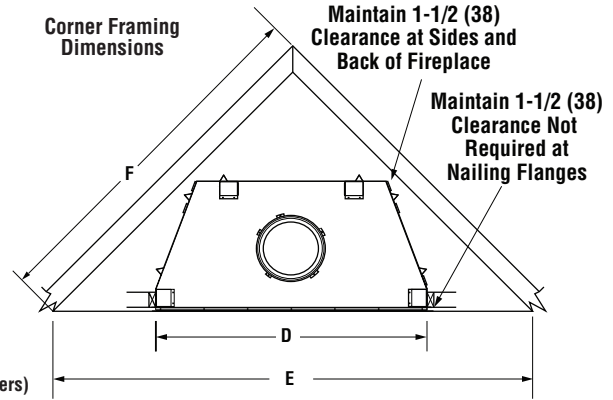
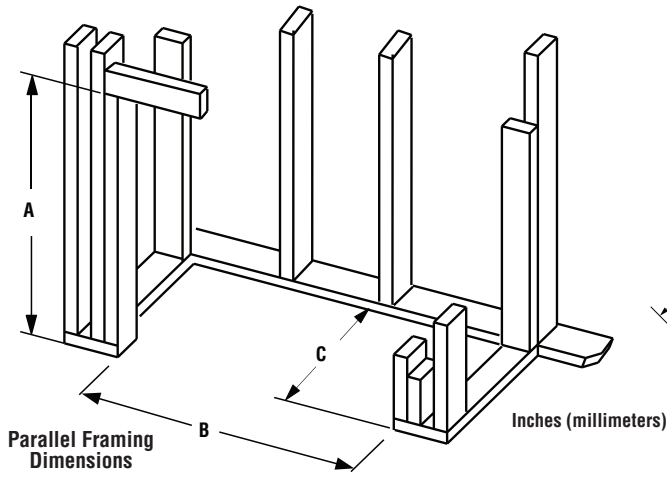


# WRT6000 36/42/50 SERIES

## WOOD-BURNING FIREPLACES (Box only, Mosaic Masonry Brick Liner Required)

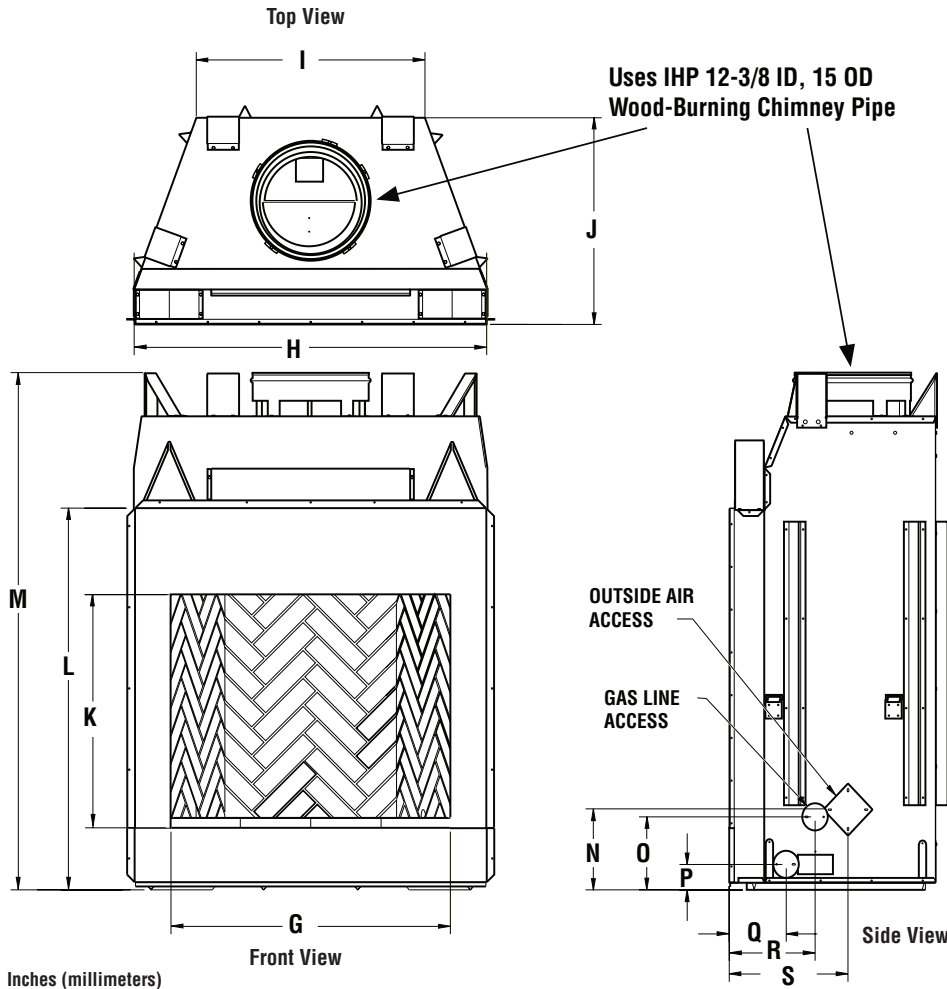
Framing Dimensions



	36" Models	42" Models	50" Models
<b>A</b>	67-1/8 (1705)	67-1/8 (1705)	67-1/8 (1705)
<b>B</b>	45-5/8 (1159)	51-5/8 (1312)	59-3/4 (1518)
<b>C</b>	28-1/4 (718)	30-1/8 (766)	30-1/8 (766)

	36" Models	42" Models	50" Models
<b>D</b>	45-1/4 (1150)	51-1/4 (1302)	59-1/4 (1505)
<b>E</b>	86-1/2 (2197)	92 (2337)	100 (2540)
<b>F</b>	61 (1550)	65 (1651)	71 (1804)

Fireplace Dimensions



	36" Model	42" Model	50" Model
<b>G</b>	36 (915)	42 (1067)	50 (1270)
<b>H</b>	45-1/8 (1147)	51-1/8 (1299)	59-1/4 (1505)
<b>I</b>	29 (737)	30-1/2 (775)	38-1/2 (978)
<b>J</b>	26-5/8 (677)	29 (737)	29 (737)
<b>K</b>	30 (762)	30 (762)	30 (762)
<b>L</b>	49 (1245)	49 (1245)	49 (1245)
<b>M</b>	67 (1702)	67 (1702)	67 (1702)
<b>N</b>	10-1/2 (267)	10-1/2 (267)	10-1/2 (267)
<b>O</b>	9-1/2 (242)	9-1/2 (242)	9-1/2 (242)
<b>P</b>	3-1/2 (89)	3-1/2 (89)	3-1/2 (89)
<b>Q</b>	7-1/4 (185)	8-1/2 (216)	8-1/2 (216)
<b>R</b>	11 (280)	13 (331)	13 (331)
<b>S</b>	15-1/4 (388)	17 (432)	17 (432)

# WRT6000 36/42/50 SERIES

Product Information

Fireplace Reference Information			
Cat. No.	Model	Shipping Wt.	Shipping Vol.
F4219	WRT6036	580 lb.	131.6 cu. ft.
F4220	WRT6042	660 lb.	131.6 cu. ft.
F4221	WRT6050	750 lb.	131.6 cu. ft.

Listing Information



Report No. F09-095

These fireplaces have been tested and approved by PFS Corporation under UL127/ULC-S610 standard as a Factory Built Appliance and may be used with gas logs approved to ANSI Z21.60, Z21.84 or Z21.11.2 standards.

Mosaic Masonry Brick Reference Information			
Cat. No.	Model	Shipping Wt.	Shipping Vol.
F0334	Mosaic36M2	421 lb.	24.5 cu. ft.
F0335	Mosaic36M4	421 lb.	24.5 cu. ft.
F0336	Mosaic36M2	421 lb.	24.5 cu. ft.
F0337	Mosaic36M4	421 lb.	24.5 cu. ft.
F0338	Mosaic36M5	421 lb.	24.5 cu. ft.
F0339	Mosaic36M3	421 lb.	24.5 cu. ft.
F0340	Mosaic36M5	421 lb.	24.5 cu. ft.
F0341	Mosaic36M3	421 lb.	24.5 cu. ft.

Mosaic Masonry Brick Reference Information			
Cat. No.	Model	Shipping Wt.	Shipping Vol.
F0342	Mosaic42M2	445 lb.	24.5 cu. ft.
F0343	Mosaic42M4	445 lb.	24.5 cu. ft.
F0344	Mosaic42M2	445 lb.	24.5 cu. ft.
F0345	Mosaic42M4	445 lb.	24.5 cu. ft.
F0346	Mosaic42M5	445 lb.	24.5 cu. ft.
F0347	Mosaic42M3	445 lb.	24.5 cu. ft.
F0348	Mosaic42M5	445 lb.	24.5 cu. ft.
F0349	Mosaic42M3	445 lb.	24.5 cu. ft.

Mosaic Masonry Brick Reference Information			
Cat. No.	Model	Shipping Wt.	Shipping Vol.
F0350	Mosaic50M2	498 lb.	24.5 cu. ft.
F0351	Mosaic50M4	498 lb.	24.5 cu. ft.
F0352	Mosaic50M2	498 lb.	24.5 cu. ft.
F0353	Mosaic50M4	498 lb.	24.5 cu. ft.
F0354	Mosaic50M5	498 lb.	24.5 cu. ft.
F0355	Mosaic50M3	498 lb.	24.5 cu. ft.
F0356	Mosaic50M5	498 lb.	24.5 cu. ft.
F0357	Mosaic50M3	498 lb.	24.5 cu. ft.

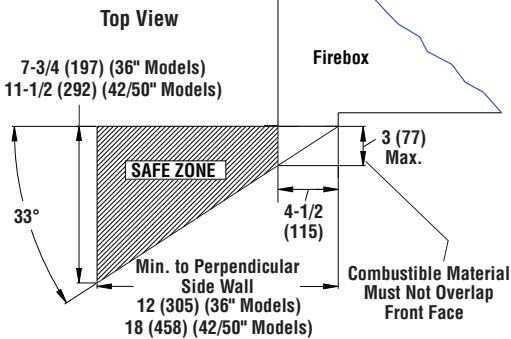
Clearances

Clearances to Combustibles	
Description	Min. Clearance
Back and sides of fireplace	1-1/2 (38)*
Ceiling	42 (1067)
Front of fireplace	48 (1220)
Floor	0 (0)**
Perpendicular wall to opening (42" & 50" Models)	18 (458)
Perpendicular wall to opening (36" Models)	12 (305)
Top spacers	0 (0)
Chimney outer pipe surface (42" & 50" Models)	2 (51)
Chimney outer pipe surface (36" Models)	1 (26)

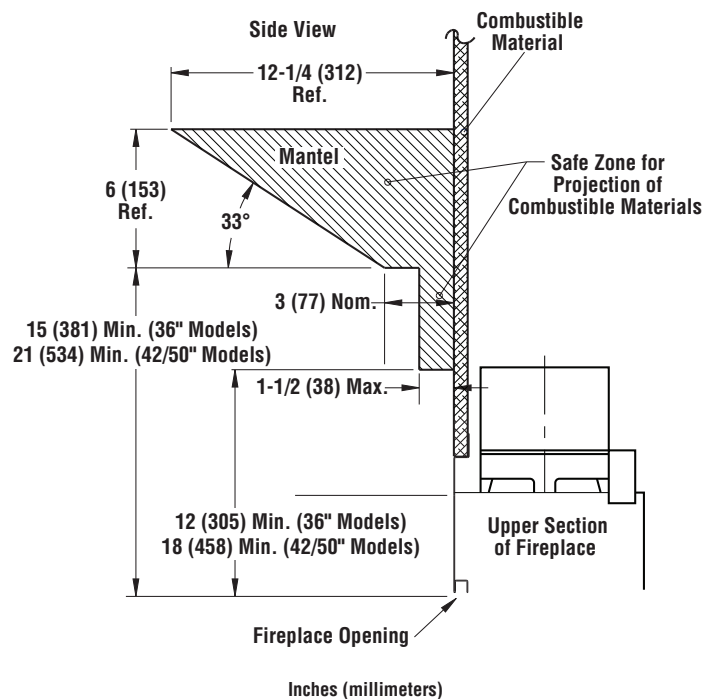
\* Not required at nailing flanges

\*\* See step 2 of Framing in the Installation and Operation Manual

### Side Wall Clearances



### Mantel Clearances



Venting

### Venting

Uses Standard (12DM) and Hi-Temp (12HT) Wood-Burning Chimney and Hi-Temp (12HT) Wood-Burning Chimney

