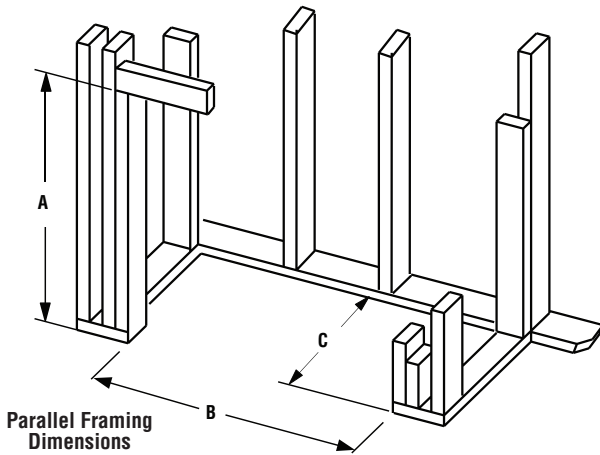


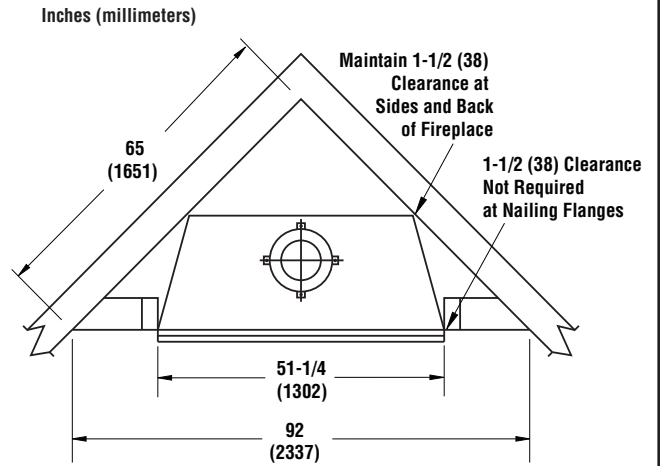
WRT4542 AND WRT4842 SERIES

WOOD-BURNING FIREPLACES

Framing Dimensions

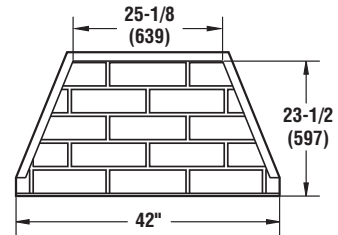
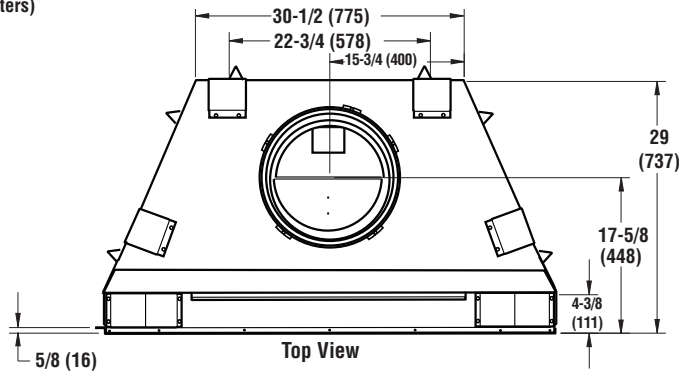


	A	B	C
42" Models	67-1/8 (1705)	51-5/8 (1312)	30-1/8 (766)

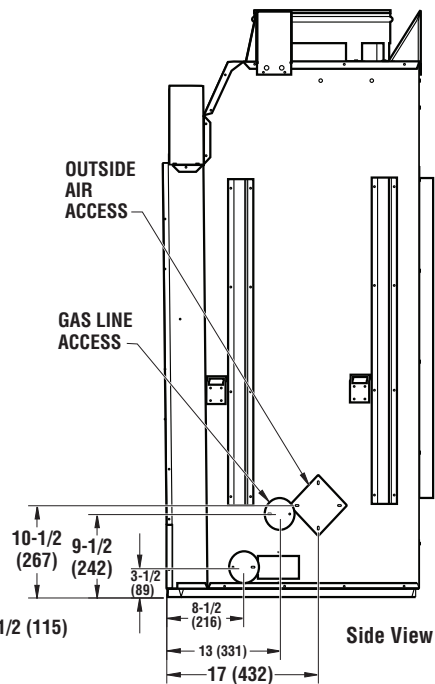
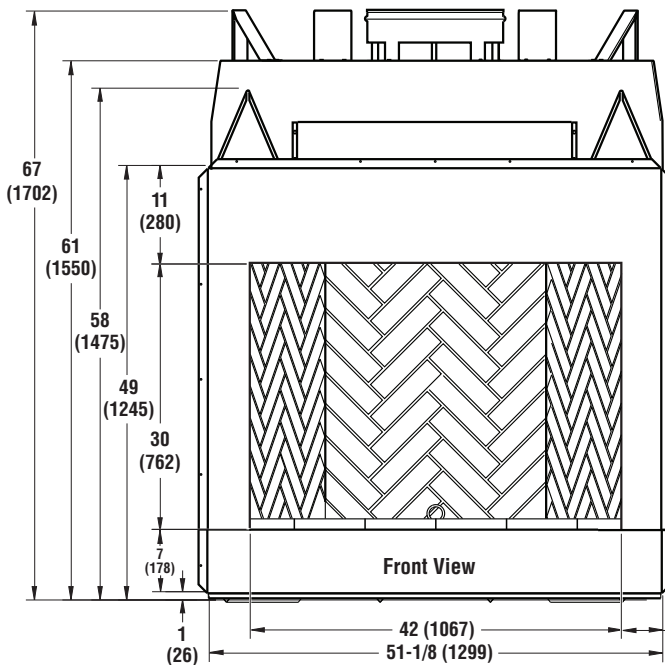


Corner Framing Dimensions

Inches (millimeters)



Fireplace Dimensions



WRT4542 AND WRT4842 SERIES

Product Information

Product Reference Information			
Cat. No.	Models	Shipping Weight	Shipping Volume
F0622	WRT4542RS	570 lb.	131.5 cu. ft.
F0628	WRT4542WS	570 lb.	131.5 cu. ft.
F0623	WRT4542RH	570 lb.	131.5 cu. ft.
F0629	WRT4542WH	570 lb.	131.5 cu. ft.

Product Reference Information			
Cat. No.	PureFire™ Models	Shipping Weight	Shipping Volume
F0632	WRT4842RS	575 lb.	131.5 cu. ft.
F0634	WRT4842RH	575 lb.	131.5 cu. ft.

Listing Information



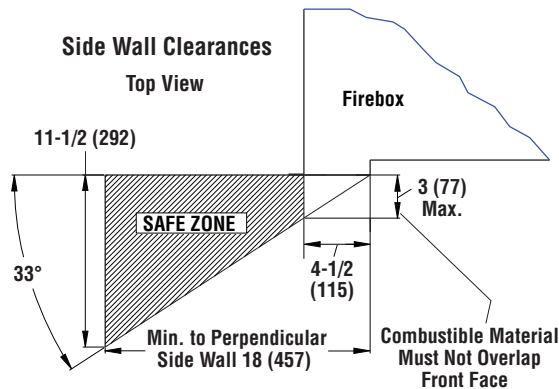
Report No. F09-095

This fireplace has been tested and approved by PFS Corporation under UL127/ULC-S610 standard as a Factory Built Appliance and may be used with gas logs approved to ANSI Z21.60, Z21.84 or Z21.11.2 standards.

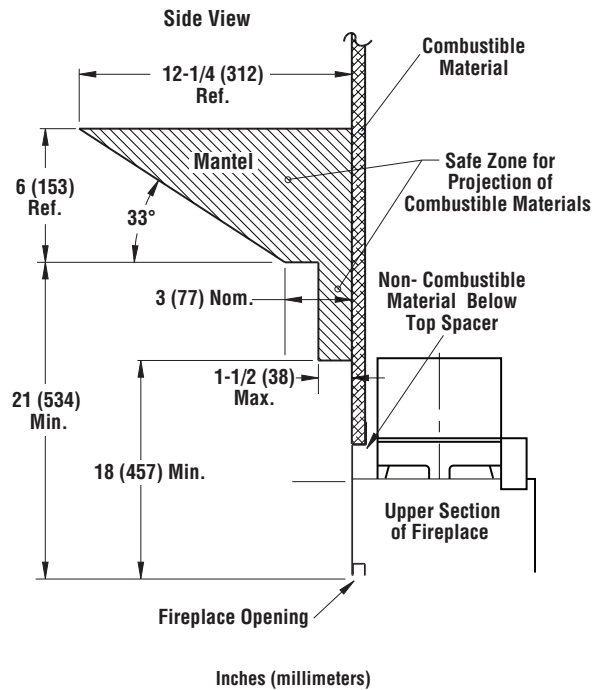
Clearances

Clearances to Combustibles	
Description	Min. Clearance
Back and sides of fireplace	1-1/2 (38)*
Ceiling	42 (1067)
Front of fireplace	48 (1220)
Floor	0 (0)**
Perpendicular wall to opening	18 (457)
Top spacers	0 (0)
Chimney outer pipe surface	2 (51)

* Not required at nailing flanges
 ** See step 2 of Framing in the Installation and Operation Manual



Mantel Clearances



Venting

Venting
 Uses Standard (12DM) and Hi-Temp (12HT) Wood-Burning Chimney. For Canada Use 12HT Chimney

