



Durable wood burning fireplace with rugged stainless steel components is a perfect solution for any outdoor or indoor setting.

FEATURES

- 🔥 Available in 36" and 42" models
- 🔥 Radiant smooth-faced models
- 🔥 Refractory panels in stacked and herringbone patterns
- 🔥 Heavy duty stainless steel log grate
- 🔥 Easy access damper control
- 🔥 Stainless steel screens retract into hidden screen pockets
- 🔥 Adjustable outside air damper
- 🔥 Stainless steel construction for long lasting outdoor use
- 🔥 Uses IHP 8 DM (1700°) double wall air cooled wood burning chimney
- 🔥 Uses IHP 8 HT (2100°) heavy gauge double wall air cooled wood burning chimney recommended for cold climates (required for Canada)
- 🔥 20 year limited warranty

INTERIOR PANEL OPTIONS

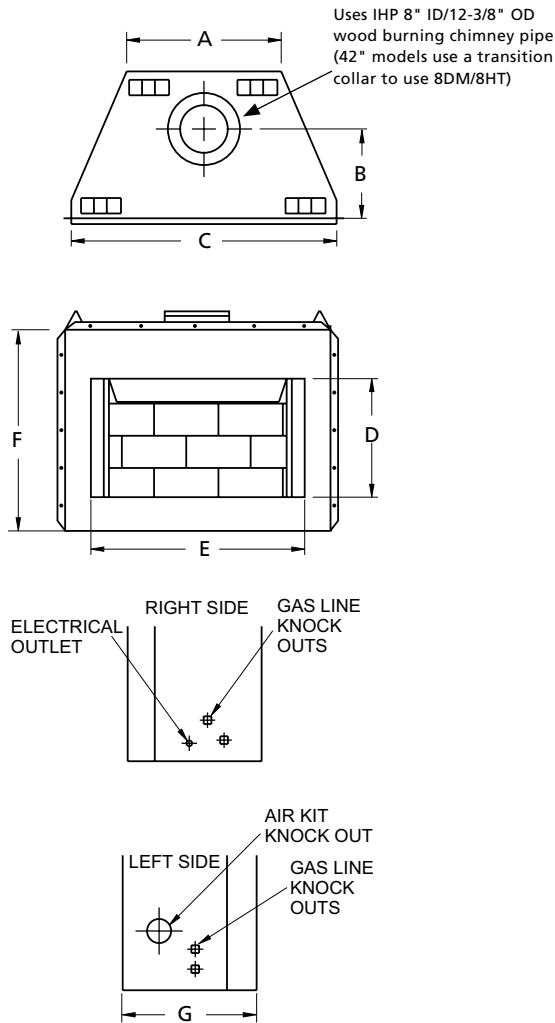


White Stacked

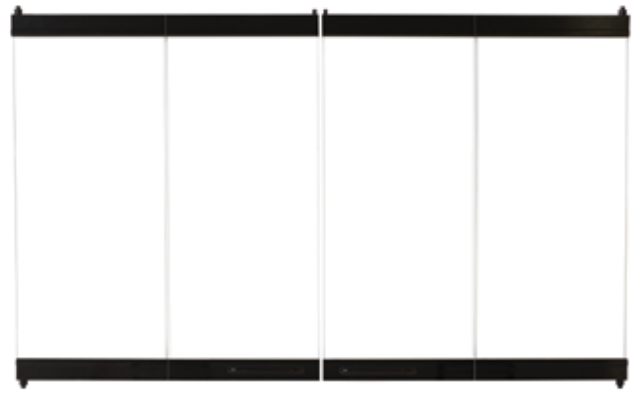


White Herringbone

APPLIANCE SPECIFICATIONS



OPTIONAL ACCESSORIES



Bi-fold glass doors



Black

ADDITIONAL ACCESSORIES

- Stainless Steel Drain Pan
- 4" Stainless Steel Heat Deflecting Hood

FRAMING SPECIFICATIONS

	WRE3036	WRE3042
WIDTH	41-3/4"	49-3/4"
HEIGHT	41-3/4"	47-1/4"
DEPTH	21-7/8"	23-1/2"

	WRE3036	WRE3042
A	29"	36"
B	11-3/4"	11-3/4"
C	41"	48"
D	21"	24"
E	35"	42"
F	37"	41"
G	21"	22-1/2"

IMPORTANT NOTES:

As with any fireplace, this appliance is extremely hot during operation. Read and understand all operating instructions before using this appliance. For further information, consult your dealer.

Local conditions, such as elevation, wind, vent configuration and choice of fuel will affect overall appearance of the fire and heating performance. Performance can also vary with home design and insulation, climate, condition and type of fuel used, appliance location, burn rate, accessories chosen, chimney installation and how the appliance is operated.

Diagrams, illustrations and photographs are not to scale—consult installation instructions. Product designs, materials, dimensions, specifications, colors and prices are subject to change or discontinuance without notice.

