



Double Wall Black[®]

**Close Clearance Connector Pipe
All-Fuel**

Installation Instructions

A MAJOR CAUSE OF CHIMNEY RELATED FIRES IS FAILURE TO MAINTAIN REQUIRED CLEARANCES (AIR SPACES) TO COMBUSTIBLE MATERIALS. IT IS OF THE UTMOST IMPORTANCE THAT THIS DOUBLE WALL CONNECTOR BE INSTALLED ONLY IN ACCORDANCE WITH THESE INSTRUCTIONS.

Read through these instructions before beginning your installation. Failure to install according to these instructions will void the manufacturer's warranty and may have an effect on your homeowner's insurance and UL Listing status.

Keep these instructions for future reference.

INTENDED USE OF PRODUCT

This close clearance connector is intended for use with solid, liquid and gas fired appliances, including wood and coal burning stoves, freestanding fireplaces and furnaces. It may be used in any instance where single wall stovepipe is called for.

LISTED CLEARANCE

Ventis Black Double Wall was tested by and is Listed with Underwriter's Laboratories as a close clearance connector pipe between (listed) appliance and chimney. The minimum clearance from pipe to combustible surfaces is 6 inches to combustible side walls and 8 inches to combustible ceilings.

CLEARANCE COMPATABILITY

Solid fuel appliances have a minimum clearance to combustible construction. The minimum clearance on the appliance must be adhered to. If two clearances are in conflict, always use the larger clearance distance. Certain applications, such as mobile homes, sometimes require clearances greater than 6 inches.

PERMITS

Contact local Building and Fire Officials about permits, restrictions and installation inspection in your area.

RECOMMENDATIONS & LIMITATIONS

- Every wood burning stove requires its own separate connector. Connect only one solid fuel burning appliance to a chimney. Do not connect an oil or gas burning appliance to a chimney venting a solid fuel burning appliance.
- Choose a stove that is listed by a recognized testing agency.
- For installation and operation, follow the stove manufacturer's instructions and safety manual for maximum efficiency and safety. Over firing can damage both stove and double wall connector pipe. Be certain to maintain required clearances to combustible materials.
- Burn only the fuels your stove is designed to burn according to the manufacturer's instructions and safety manual.
- Do not burn sea driftwood, treated lumber, or plastic.
- Not all stoves can be used in Mobile Homes. See manufacturer's instructions.
- Do not enclose Ventis Black Double Wall connector pipe.
- This connector is not a chimney. It must NOT pass through floors, attics, closets, walls, or ceilings.

VENTIS BLACK DOUBLE WALL

Close Clearance Connector Pipe

PARTS LIST

Part Description	6" Diameter	7" Diameter	8" Diameter
Pipe - 6" Length	VDB0606	VDB0706	VDB0806
Pipe - 12" Length	VDB0612	VDB0712	VDB0812
Pipe - 18" Length	VDB0618	VDB0718	VDB0818
Pipe - 24" Length	VDB0624	VDB0724	VDB0824
Pipe - 36" Length	VDB0636	VDB0736	VDB0836
Pipe - 48" Length	VDB0648	VDB0748	VDB0848
Slip Section - 6" Length	VDB0606SL	VDB0706SL	VDB0806SL
Slip Section - 12" Length	VDB0612SL	VDB0712SL	VDB0812SL
Slip Section - 18" Length	VDB0618SL	VDB0718SL	VDB0818SL
Telescoping Section 18" - 31" Length	VDB06ST	VDB07ST	VDB08ST
Telescoping Section 25" - 50" Length	VDB06MT	VDB07MT	VDB08MT
Telescoping Section 40" - 68" Length	VDB06LT	VDB07LT	VDB08LT
Elbow - 45°, Fixed	VDB0645F	VDB0745F	VDB0845F
Elbow - 90°, Fixed	VDB0690F	VDB0790F	VDB0890F
Tee (with cover)	VDB06T	VDB07T	VDB08T
Masonry Adapter	VDB06MA	VDB07MA	VDB08MA
Stove Adapter	VDB06SA	VDB07SA	VDB08SA
Chimney Adapter	VDB06CA	VDB07CA	VDB08CA
Damper Section	VDB06DS	VDB07DS	VDB08DS
Finishing Band (Trim Plate)	VDB06FB	VDB07FB	VDB08FB
Ceiling Hanger	VDB06H	VDB07H	VDB08H
Reducer - 7" to 6"	(male end - 7")		VDB76
Reducer - 8" to 7"	(male end - 8")		VDB87
Reducer - 8" to 6"	(male end - 8")		VDB86
Increaser - 5" to 6"	(male end - 5")		VDB56
Increaser - 6" to 7"	(male end - 6")		VDB67
Increaser - 7" to 8"	(male end - 7")		VDB78
Increaser - 6" to 8"	(male end - 6")		VDB68
Oval to Round Adapter	(8" oval flue outlet to 8" round VDB)		VDB08OA

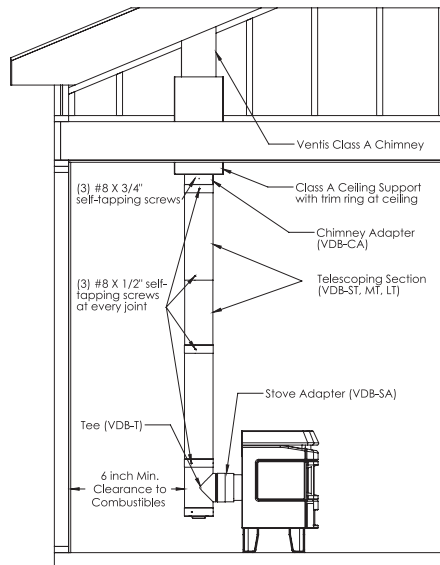
INSTALLATION NOTES

- A. Use only **Ventis Black Double Wall** connector pipe and Listed components. Do not mix with other manufacturer's products. Do not install damaged connector pipe or components.
- B. While there is no limitation to the total length of **Ventis Black Double Wall** connector pipe that may be used for a single installation, except as stipulated in NFPA 211, we recommend a maximum of 15', not to exceed 20'. It is important to insure that all sections are solidly fastened together and supported as required.
- C. Ventis Black Double Wall is used to connect a solid, liquid or gas fuel fired appliance to a factory built or masonry chimney.
- D. The chimney must be installed and connected according to the applicable **Ventis Class A All Fuel Chimney System**, Forever Flex, Armor Flex, or Rhino Rigid Installation Instructions.
- E. In all cases, when pipe is correctly placed and aligned, be sure to securely attach all pipe sections to each other, to the Stove Adaptor, the Tee, Elbow, Wall Thimble, and Ceiling Support connector by drilling at least (3) 1/8" holes and fastening with (3) #8 X 1/2" self-drilling screws in every joint.
- F. A Pipe Hanger (VDB06H) must be used for any horizontal run over 4 feet long. Use an additional hanger for every 4 foot section thereafter; i.e. 2 per 8ft., 3 per 12ft., etc.

INSTALLATION PROCEDURE

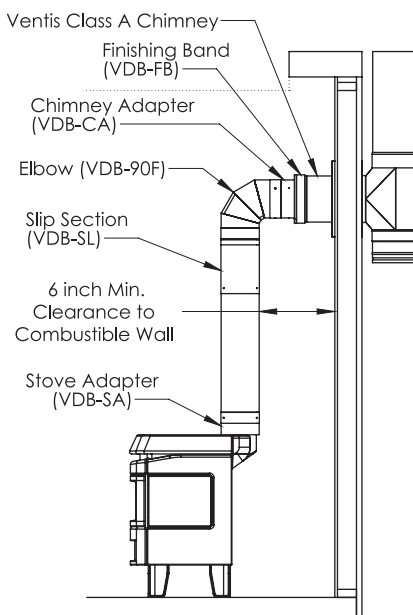
CEILING INSTALLATION

1. Position stove and floor shield to conform to the stove manufacturer's clearance specifications. Position appliance and chimney so as to avoid cutting any ceiling joists, roof rafters, or wall studs.
2. Install ceiling support box according to the installation instructions in your Ventis Class A Chimney kit.
3. Install the Ventis Black Double Wall Chimney Adapter (VDB-CA) onto the installed Universal Adapter of Ventis Class A Chimney Pipe that has been securely installed in the ceiling support box. Attach using supplied (3) #8 X 3/4" self-tapping screws.
4. Attach Stove Adapter (VDB-SA) to stove. If needed attach Tee (VDB-T) to Stove Adapter using at least (3) #8 X 1/2" self-drilling screws.
5. Make sure Stove Adapter and/or Tee align vertically with chimney adapter.
6. Install adjustable Telescoping Section (VDBMT); or Connector Pipe (VDB) and Slip Section (VDB-SL); between the Tee/ Stove Adapter and Chimney Adapter.
7. Fasten all pipe sections together, including Telescoping Sections and Slip Sections with at least (3) #8 X 1/2" self-drilling screws.



THROUGH WALL INSTALLATION

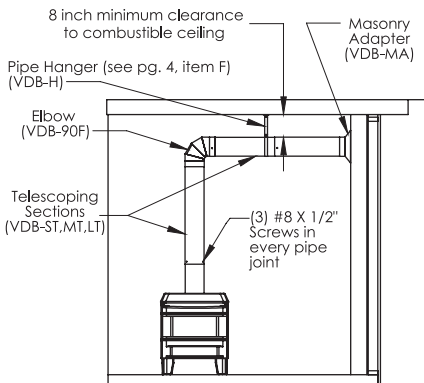
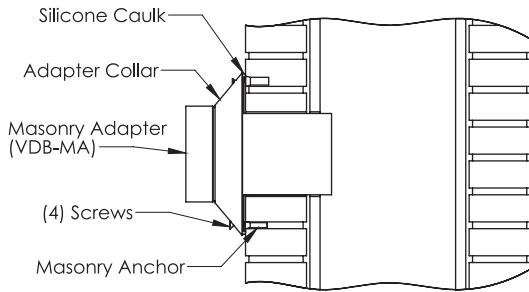
1. Position stove and floor shield to conform to the stove manufacturer's clearance specifications.
Position appliance and chimney so as to avoid cutting any ceiling joists, roof rafters, or wall studs.
2. Install Wall Thimble according to the installation instructions in your Ventis Class A Chimney kit.
3. Install the Ventis Black Double Wall Chimney Adapter (VDB-CA) onto the installed Universal Adapter of Ventis Class A Chimney Pipe that has been securely installed through the Wall Thimble. Attach using supplied (3) #8 X ¾" self-tapping screws.
4. Slide Finishing Band (VDB-FB) over Chimney / Universal Adapter up to end of Class A Chimney Pipe
5. Attach Stove Adapter (VDB-SA) to stove.
If needed attach Tee (VDB-T) to Stove Adapter using at least (3) #8 X ½" self-drilling screws.
6. Make sure Stove Adapter and/or Tee align vertically and horizontally with chimney adapter.
7. Install adjustable Telescoping Section (VDB-MT) to Tee or Stove Adapter using (3) #8 X ½" selfdrilling screws.
8. Install 90° Elbow (VDB-90F) to top of Telescoping section using (3) #8 X ½" self-drilling screws.
9. Install a Telescoping Section or a fixed length Connector Pipe and Slip Section horizontally between Elbow and Chimney Adapter using at least (3) #8 X ½" self-drilling screws at each pipe joint.
10. Fasten all pipe sections together, including Telescoping Sections and Slip Sections with at least (3) #8 X ½" self-drilling screws.



MASONRY CHIMNEY

Have your chimney inspected by a qualified chimney sweep or Fire Department Inspector before connecting to it for use. Masonry chimneys should only be used if they are in good condition and have been built according to NFPA 211 (Standard for Chimneys, Fireplaces, Vents, and Solid Fuel-Burning Appliances).

1. There should be a horizontal opening into the chimney through a non-combustible wall. Fit the Masonry Adapter (VDB-MA) into this hole. Attach the adapter collar to the masonry wall using screws and masonry anchors (not supplied). Seal the joint between the collar and the masonry wall with a high temperature silicone caulking.
2. When installing Ventis Black Double Wall into a re-lined masonry chimney, follow the procedure as above, making sure the masonry adapter slides onto the tee take-off by *at least 2 inches*. Firmly attach using 3 self-tapping screws.
3. Attach connector pipe to appliance using instructions above.



VENTIS BLACK MAINTENANCE

Warning for Solid Fuel Applications

Creosote and Soot-Formation and Need for Removal:

When wood is burned slowly, it produces tar and other organic vapors, which combine with expelled moisture to form creosote. The creosote vapors condense in the relatively cool chimney flue of a slow-burning fire. As a result, creosote residue accumulates on the flue lining. When ignited, this creosote makes an extremely hot fire.

VENTIS BLACK CLEANING

- **Access** – Double wall connector pipe must be installed so that access is provided for inspection and cleaning.
- **Schedule** – The connector and chimney should be inspected at least once every month during the heating season to determine if a creosote or soot buildup has occurred. If creosote or soot has accumulated, it should be removed to reduce the risk of a chimney fire.
- **Cleaning** – Have your connector and chimney cleaned by a professional chimney sweep. Use a plastic, wood, or steel brush.
- **Coal** – To reduce corrosion in connectors and chimneys where coal is burned, clean the chimney thoroughly within 48 hours of shutting down the stove for the season. Check the chimney lining for sulfuric acid corrosion regularly.
- **Chemicals** – Do not use chemical cleaners. Their use does not eliminate the need for mechanical cleaning and they may be highly corrosive.
- **In Case of Fire** – If a flue fire occurs, close all appliance draft openings and call your Fire Department. Do not use the appliance again until the chimney, connector and stove have been inspected by a qualified chimney sweep and/or Fire Department Inspector.

LIMITED *FOREVER* WARRANTY™

Ventis® Double Wall Black Stove Pipe

430 Alloy Stainless Steel Inner, Black Satin Coat Steel Outer

Ventis® Double Wall Black stove pipe is designed to vent residential heating oil, untreated wood, coal and natural or LP gas.

Limited Warranty Coverage

Olympia Chimney Supply, Inc. (Olympia) warrants to you (the “purchaser”) that for the period set forth below, the *VENTIS®* Double Wall Black stove pipe and components when used as a close clearance connector pipe, exclusively for residential appliances, shall be free from defects in material or manufacturer’s workmanship. This warranty provides for the replacement of any system components which fail as a result of normal use on a residential freestanding fireplace, wood burning stove, furnace or boiler. This warranty does not cover damage caused to the structure by chimney fires or misuse of the chimney system.

Warranty Period

The benefits of this warranty shall apply to you (the “purchaser”) *FOREVER* with no time limit, provided that you continue to own the home where the *VENTIS®* Double Wall Black stove pipe is installed. In all events, Olympia will honor the warranty *FOREVER* with no time limit.

Warranty Conditions and Limitations

The *VENTIS®* warranty is subject to the following conditions: 1) installation of the pipe and components must be in accordance with the manufacturer’s written instructions; 2) the pipe is designed to operate at a continuous temperature of 650 degree Celsius (1,200 degree fahrenheit) or less; 3) this warranty does not cover the use of fuel sources, such as coal or corn; (4) driftwood, wood or wood pellets containing salt, preservative treated lumber, plastic, experimental fuels and household trash must not be burned in the appliance; (5) the *VENTIS®* chimney system must be cleaned and inspected on an annual basis by an experienced chimney professional at intervals of no more than 18 months each, commencing from the date of purchase. Receipts verifying that the annual maintenance was performed must be retained.

Claim Process and Limitations of Liability

You may make a claim under this warranty by giving notice to your chimney professional and having your chimney professional provide information about the claim to Olympia. Upon approval of your claim, Olympia shall provide new *VENTIS®* pipe and components to you as your exclusive remedy. Olympia does not assume any liability or responsibility for faulty installation of the pipe or components, or for defective materials not supplied as part of the *VENTIS®* chimney system.

Neither Olympia nor the installer of the *VENTIS®* chimney system shall be liable for any removal or installation charges or for any special, incidental, or consequential damages in any way related to, the *VENTIS®* pipe. This warranty gives you specific legal rights, and you may also have other rights, which vary from state to state. Some states do not allow the exclusion or limitations of incidental or consequential damages, so the above limitations or exclusions may not apply to you.