



Superior
FIREPLACES®
Our name is our promise.

A stunning clean face design with amazing versatility to complement contemporary décor combines with exceptional performance to make the VRL4543 the perfect fit for your home.



FEATURED VRL4543 shown with optional see-through conversion kit

EXCLUSIVE FEATURES

- 🔥 43" front open linear configuration
- 🔥 Transform your fireplace into a see-through model using the optional conversion kit
- 🔥 Gas controls are conveniently hidden in the fireplace floor
- 🔥 Electronic ignition with battery backup to operate in the event of a power outage
- 🔥 Dancing yellow flames
- 🔥 Six flame settings for precise heat control
- 🔥 99.9% heating efficiency
- 🔥 Three-piece black reflective porcelain liners
- 🔥 Includes clear glass media
- 🔥 Mood enhancing fireplace interior lighting, with six distinctive illumination settings
- 🔥 Full function remote control (T'stat, flame, lighting, IPI/CPI)
- 🔥 20 year limited warranty



FEATURED VRL4543 and its impressive flame display

GLASS MEDIA OPTIONS

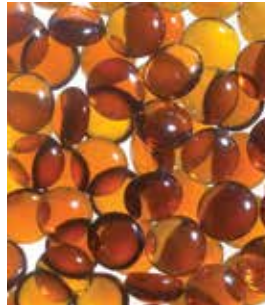
Choose from four glass media options to complement your décor.



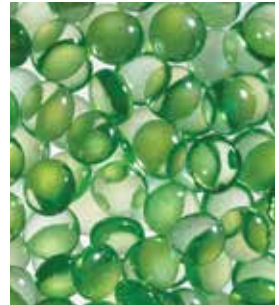
Clear (Standard)



Blue



Amber



Green

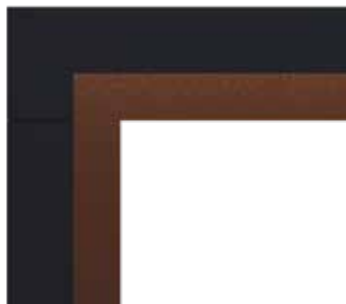
EXTERIOR OPTIONS

(Optional)

Choose from three decorative face trims to customize your décor.



Aged Silver



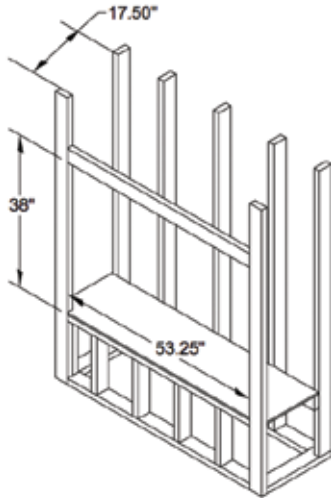
Aged Copper



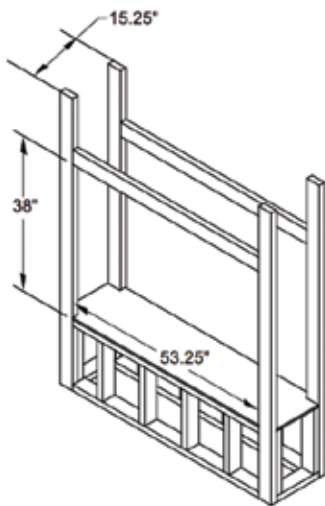
Black

FRAMING SPECIFICATIONS

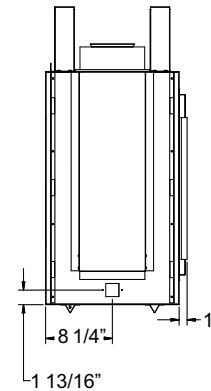
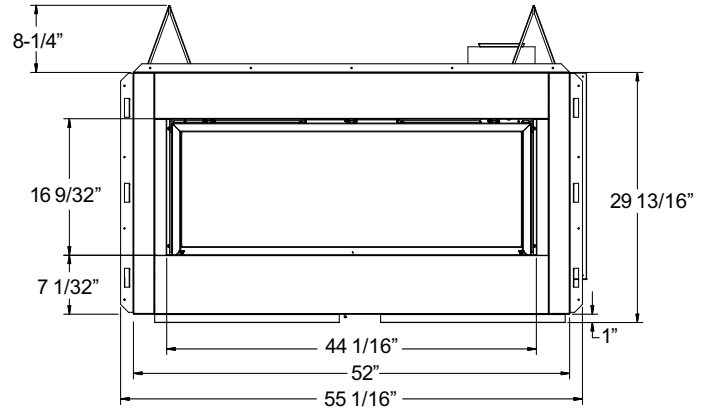
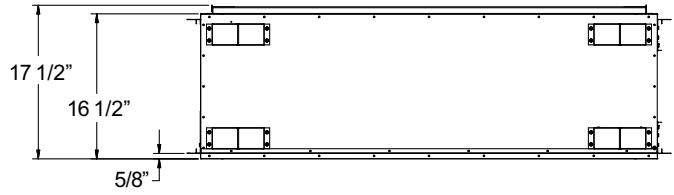
ONE SIDED APPLICATION



SEE-THROUGH APPLICATION



APPLIANCE SPECIFICATIONS



On the Cover: VRL4543 with standard Clear Glass Media and optional Decorative Face Trim

IMPORTANT NOTES:

As with any fireplace, this appliance is extremely hot during operation. Read and understand all operating instructions before using this appliance. For further information, consult your dealer.

Local conditions, such as elevation and choice of fuel will affect overall appearance of the fire and heating performance. Performance can also vary with home design and insulation, ceiling height, accessories chosen and appliance location.

Diagrams, illustrations and photographs are not to scale — consult installation instructions. Product designs, materials, dimensions, specifications, colors and prices are subject to change or discontinuance without notice.

FIREPLACE EFFICIENCIES

MODEL	FUEL	BTU/HR	AFUE*
VRL4543	NG	25,000-39,000	99.9%
VRL4543	LP	29,000-37,000	99.9%

*Annual Fuel Utilization Efficiency (AFUE) is the recognized U.S. rating system for the total efficiency of heating products.



© 2019 Innovative Hearth Products

785433M 01/20

Visit us online
SuperiorFireplaces.us.com

