



**Rasmussen**  
THE GAS LOG COMPANY

## Andiron / Tipi Burner

### GENERAL INSTALLATION INSTRUCTIONS

ASSEMBLY, INSTALLATION, AND OPERATION INSTRUCTIONS FOR RASMUSSEN  
VENTED HEARTH KITS OR BURNERS MODELS:

**TNA or TNA(E) 20; 24; 30 and 36 for use with Natural Gas (Convertible to  
Propane Gas with addition of Accessory Pilot Safety Control)**

**TNA or TNA(E)-LP 20; 24; 30 and 36 for use with Propane Gas**

**IMPORTANT** READ THESE INSTRUCTIONS CAREFULLY BEFORE  
STARTING INSTALLATION OF LOG SET.

**WARNING:** Improper installation, alteration, service or maintenance can cause injury or property damage. Read these instructions thoroughly before installation. For assistance or additional information, consult your gas log dealer, qualified installer, service agency or gas supplier.

#### FOR YOUR SAFETY

Do not store or use gasoline or other flammable vapors and liquids in the vicinity of this or any other appliance.

#### FOR YOUR SAFETY

##### WHAT TO DO IF YOU SMELL GAS

- Do not try to light any appliance.
- Do not touch any electrical switch; do not use any phone in your building.
- Immediately call your gas supplier from a neighbors phone. Follow the gas suppliers instructions.
- If you cannot reach your gas supplier, call the fire department.

### IMPORTANT INFORMATION

**THIS GAS LOG SET MUST BE INSTALLED IN A FULLY VENTED  
SOLID-FUEL BURNING FIREPLACE WITH A WORKING FLUE  
CONSTRUCTED OF NON COMBUSTIBLE MATERIAL.**

The minimum permanent free opening of the fireplace chimney or chimney damper must be at least 39 square inches based on a minimum chimney height of at least 8 feet. The area of the flue must not be less than 1/10 the area of the fireplace opening. **The flue must exhaust all products of combustion.**

The chimney damper must be fixed in a manner to maintain permanent free opening as outlined above at all times. To accomplish this, install the damper clamp (provided) on the edge of the damper blade to prevent its closing, drill a hole or holes in the damper, or remove damper completely.

The minimum size of the fireplace in which the log set is to be installed must be as follows:

#### MINIMUM FIREPLACE SIZE IN INCHES

LOG SET SIZE	HEIGHT	DEPTH	WIDTH	CHIMNEY
20 INCH	16	13	26	7 INCH DIAMETER
24 INCH	16	13	32	8 INCH DIAMETER
30 INCH	16	14	36	9 INCH DIAMETER
36 INCH	18	16	42	10 INCH DIAMETER

Glass doors must be wide open when burner is lighted to allow air for safe combustion and venting.

**THIS BURNER IS FOR USE IN FULLY FUNCTIONING WOOD BURNING  
FIREPLACE WITH THE DAMPER WIDE OPEN.  
THE FLUE MUST VENT ALL PRODUCTS OF COMBUSTION.**

## IMPORTANT INFORMATION (continued)

A fire place screen must be in place when the log set is in operation and, unless other provisions for combustion air are provided, the screen shall have opening(s) for introduction of combustion air.

The minimum inlet gas supply pressure for the purpose of input adjustment shall be 6 inches of water column on natural gas.

The maximum inlet gas supply pressure shall be 7 inches of water column on natural gas.

The installation and the provision for combustion and ventilation air must conform with the NATIONAL FUEL GAS CODE ANSI Z223.1 latest edition.

The gas log set and its individual shutoff valve must be

disconnected from the gas supply piping system during any pressure testing of that system at test pressures in excess of 1/2 psig (3.5 kPa). The gas log set must be isolated from the gas supply piping system by closing its individual manual shutoff valve during any pressure testing of the gas supply piping system at test pressures equal to or less than 1/2 psig (3.5 kPa).

The area around the gas log set must be clear and free from combustible materials, gasoline and any other flammable vapors and liquids.

Do not use this appliance if any part has been under water. Immediately call a qualified service technician to inspect the appliance and to replace any part of the control system and any gas control which has been under water.

### **WARNING: CARBON MONOXIDE POISONING MAY LEAD TO DEATH**

When used without fresh air, gas log set may give off carbon monoxide, an odorless, colorless, poisonous gas.

Some people - pregnant women, persons with heart or lung disease, anemia, or under the influence of alcohol and persons at high altitudes are more affected by carbon monoxide than others.

Early signs of carbon monoxide poisoning resemble the flu: Headache, dizziness, and/or nausea. If you have these signs, the gas log may not be installed or working properly, or the chimney flue may be blocked. **GET FRESH AIR AT ONCE!** Have gas log set and chimney flue serviced before using again.

### **DAMPER MUST BE WIDE OPEN WHILE BURNING**

### **OPEN A WINDOW AN INCH OR TWO FOR FRESH AIR WHEN USING YOUR GAS LOG**

### **SOLID FUELS SHALL NOT BE BURNED IN A FIREPLACE WHERE A DECORATIVE APPLIANCE IS INSTALLED.**

**WARNING:** If not installed, operated and maintained in accordance with these instructions, this product could expose you to substances in fuel or from fuel combustion which are known to the State of California to cause cancer, birth defects or other reproductive harm.

### **WARNING! CHECK FOR PROPER VENTING**

A properly sized, unobstructed chimney will normally vent all fumes and products of combustion. Any odor or smoke detected inside the room is an indication that the flue is not properly removing the combustion products.

**SHUT OFF THE BURNER IMMEDIATELY! THE CAUSE OF THE VENTING PROBLEM MUST BE DISCOVERED AND CORRECTED BEFORE CONTINUED USE OF THE GAS LOG SET.**

Continued use with improper venting may cause damage to your fireplace, room and furnishings and could cause serious illness. If improper venting is suspected, **IMMEDIATELY HAVE LOG SET AND CHIMNEY FLUE SERVICED.**

Periodically examine and clean the venting system. Once a year, a qualified agency should examine and clean the venting system of your solid fuel burning fireplace.

# GENERAL INSTALLATION INSTRUCTIONS

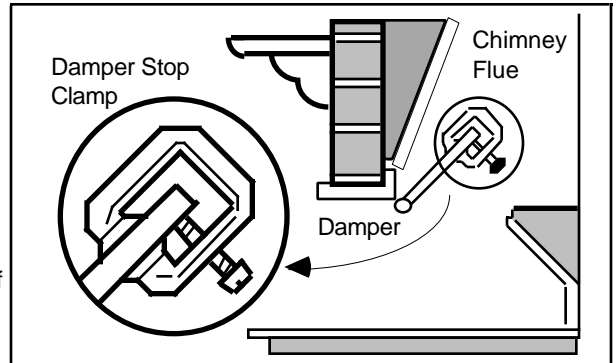
**ATTENTION**

**READ THESE INSTRUCTIONS CAREFULLY BEFORE ASSEMBLY**

**REQUIRED TOOLS AND MATERIALS:** Screw Driver, Adjustable Wrench, Pipe Wrench, Pipe Sealing Compound, Matches.

## PREPARATION:

1. This Gas Log set must be **INSTALLED IN A FULLY VENTED METAL OR MASONRY FIREPLACE WITH A WORKING FLUE THAT IS SAFE FOR BURNING A WOOD FIRE.** The Flue **MUST BE FREE OF ANY OBSTRUCTIONS.**
2. Turn off gas supply to fireplace.
3. Clean fireplace floor of any ashes.
4. Attach damper clamp over edge of fireplace damper blade as shown. When installed properly, damper clamp prevents accidental full closure of damper. If unable to install provided damper clamp, consult **IMPORTANT INFORMATION** on front page of these directions.



## STEP ONE: Burner Pan and Grate Positioning.

REAR WALL

TNA-E Model extra front burner

TOP VIEW

1. Place **Andiron/Tipi Burner** inside firebox as far to the rear as possible. Center **Burner** left to right.
2. Mark positions of **Burner** and on fire place floor with pencil. Remove from firebox.

SIDE VIEW

**TNA-E** models have an extra front burner

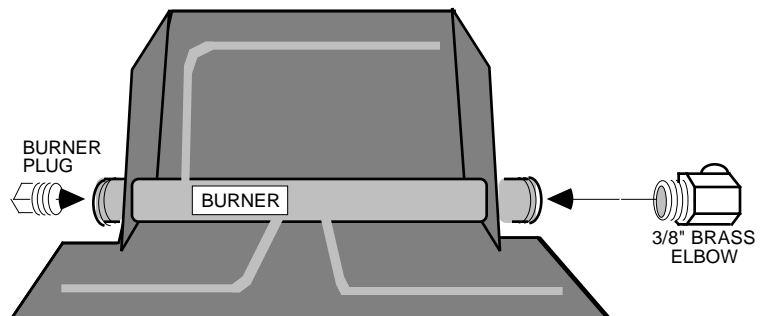
## STEP TWO: Burner Pan Assembly.

### Standard Match Lighted

(For use only with Natural Gas Models TNA or TNA(E) 20; 24; 30 and 36)

**WARNING: A SAFETY PILOT MUST BE INSTALLED ON ALL UNITS DESIGNED OR CONVERTED TO BURN PROPANE/LP GAS**

1. Apply pipe compound to threaded end of **3/8" Burner Plug**. Opposite from gas supply, thread **Burner Plug** into **Burner Pipe** and wrench tighten.
2. Apply pipe compound to the outside threads of the **3/8" Brass Elbow**. Thread into **Burner Tube** and wrench tighten with the flared connection facing towards the rear.



### Optional Accessory Safety Pilot Lighting Kits:

- **SPK3-TNA (For use only with Natural Gas)**
- **SPK3-TNA-LP (For use only with LP Gas)**
- **RPK1-F, RPK1-F10-F or RMC1-F (For use only with Natural Gas)**
- **RPK1-FA, RPK1-F10-FA or RMC1-FA (For use only with LP Gas)**

1. Assemble in accordance with specific instruction sheets provided with **SAFETY PILOT LIGHTING KIT.**

## STEP THREE: Gas Supply Connection.

**TYPICAL INSTALLATION**

Labels in diagram: ALUMINUM CONNECTOR TUBE, GAS SUPPLY LINE, 1/2 FIP x 3/8 FLARED ELBOW, FLARED BURNER INPUT FITTING, FIREPLACE GAS SUPPLY VALVE.

**ENSURE THAT FIREPLACE GAS SUPPLY IS TURNED OFF**

1. Apply pipe compound to threaded end of **Gas Supply Line**. Thread **1/2" FIP x 3/8" Flare Elbow** onto **Gas Supply Pipe** and wrench tighten.
2. With **BURNER PAN** inside firebox at previously marked position, thread (without pipe compound) one end of the **Aluminum Connector Tube** to the **1/2" FIP x 3/8" Flare Elbow** and wrench tighten.
3. Carefully bending **Aluminum Connector Tube**, align and connect, without pipe compound, to the **Flared Burner Input Fitting**. Wrench tighten.  
**NOTE: Aluminum Connector Tube** may kink or break, causing air flow noise and/or leaks if bent into too small a radius.
4. Turn gas supply to fireplace on.
5. Test all connections for leaks with soapy water solution. If solution bubbles, turn off gas supply, re-tighten fitting and recheck.

## STEP FOUR: Filling Pan with Medium (WHITE SAND-used with Natural Gas, BLACK VOLCANIC ASH-used with Propane/LP Gas) and Placing EMBER MAGIC.

1. Completely cover **BURNER TUBE** and **EMBER BOOSTER (TNA(E))** with the appropriate **PAN MEDIUM**. The **WHITE SAND** is for use with **Natural Gas**, the **BLACK VOLCANIC ASH** is for use with **Propane/LP Gas**. Use the **ENTIRE CONTENTS** of the bag provided with the burner. Allow medium to spill over leading edge of **PAN**.
2. Sprinkle a light covering of "**EMBER MAGIC**" over the **PAN MEDIUM**. Pull apart "**EMBER MAGIC**" fiber material to enhance the glowing ember effect. Spread the remaining "**EMBER MAGIC**" around ends of pan to enhance ember bed appearance.
3. **VOLCANIC ASH** may be sprinkled around the **OUTSIDE** of the **BURNER PAN** as a decorative effect.

**BURNER PAN MEDIUM (WHITE SAND FOR NATURAL GAS; BLACK VOLCANIC ASH FOR LP)**

## STEP FIVE: Log Placement (ANDIRON).

1. Place **Burner Pan** to previously marked position on firebox floor. Place **Andirons** on each side of **Burner Pan**.
2. Cross the **Large "Charred" Logs** from the **Ember Bed** to the **Andiron** with the "charred" end in the **Ember Bed**. Cross the **Large Top Logs** from the **Large "Charred" Logs** to the **Burner Pan** rear rest or **Ember Bed**. Cross the **Small Top Logs** from the **Large Top Logs** to the **Ember Bed**. Place any additional "Charred" pieces or log ends, including the optional "**Center Chunk**" into the **Ember Bed**.

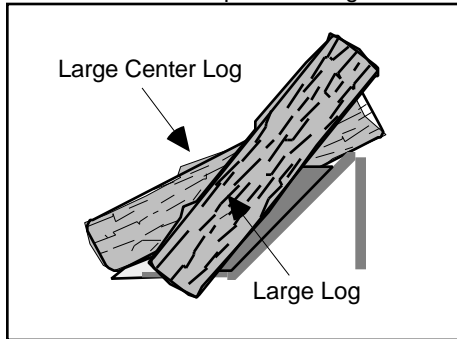
**SIDE VIEW**

**FRONT VIEW**

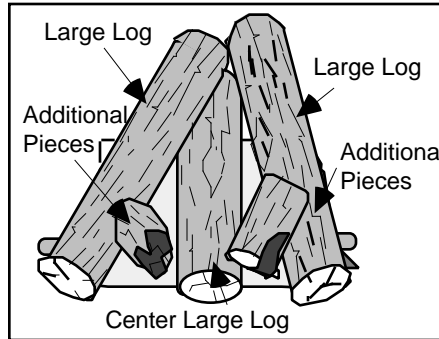
**TOP VIEW**

## STEP FIVE: Log Placement (TIPI).

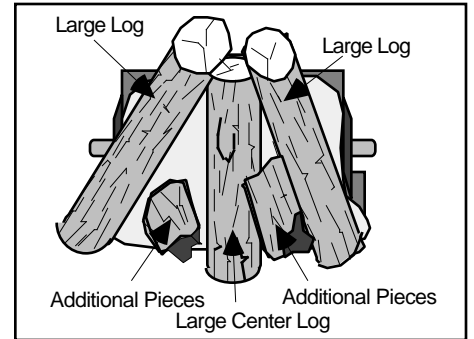
1. Place **Burner Pan** to previously marked position on firebox floor.
2. Place **Center Large Log** from front to rear in the center of the **Ember Bed**. Place the other **Large Logs** on either side of the **Center Large Log** with the rear of these logs resting on top of the **Center Large Log**. Place any remaining logs and any additional "Charred" pieces or log ends into the **Ember Bed**.



SIDE VIEW



FRONT VIEW



TOP VIEW

## STEP SIX: Lighting Instructions and Operation.

**IMPORTANT: CHIMNEY DAMPER MUST BE WIDE OPEN**

### MANUAL MATCH LIGHTING.

#### • Standard Match Lit Set

(Applies only to Natural Gas Models TNA or TNA(E) 20; 24; 30 and 36)

1. Place lighted match on embers near inlet end of burner. **DO NOT HOLD MATCH IN HAND!** Move away from front of fireplace.
2. Slowly open **FIREPLACE GAS SUPPLY VALVE** and wait for burner to light. (See FIGURE 7)
3. Adjust **FIREPLACE GAS SUPPLY VALVE** for desired flame height.
4. **SHUTDOWN:** Close **FIREPLACE GAS SUPPLY VALVE** completely.

### ACCESSORY SPK3-TNA, SPK3-TNA-LP, RPK1, RPK1-F10 or RMC1

- **SPK3-TNA (For use only with Natural Gas)**
- **SPK3-TNA-LP (For use only with LP Gas)**
- **RPK1-F, RPK1-F10-F or RMC1-F (For use only with Natural Gas)**
- **RPK1-FA, RPK1-F10-FA or RMC1-FA (For use only with LP Gas)**

See detailed instructions included with Safety Pilot Lighting Kits RPK-1 F/FA, RPK1-F/FA10, or RMC-F/FA SAFETY PILOT LIGHTING KITS.

### CUSTOMER MAINTENANCE:

**THIS BURNER IS FOR USE FOR USE IN A FULLY FUNCTIONING WOOD BURNING FIREPLACE WITH THE DAMPER WIDE OPEN. THE FLUE MUST VENT ALL PRODUCTS OF COMBUSTION.**

Periodically examine and clean the venting system. Once a year, a qualified agency should examine and clean the venting system of your solid fuel burning fireplace.

Periodically check the pilot burner (if equipped) and main burner flames. The pilot burner should be free of lint and dirt for best performance. The main burner should produce a relatively even flame from side to side. If not, the sand-granules may have become packed and can be loosened by working a wire or knife blade under the sand or by refilling the pan as described in section four. **Ensure that the burner medium completely covers burner tube and ember booster (if equipped).**

#### PARTS LIST:

- |                                   |  |   |
|-----------------------------------|--|---|
| - Burner Pan                      | - Damper Stop Clamp                                  | - Black Volcanic Ash  |
| - Brass Elbow                     | - Factory Installed SPK3 Safety Pilot (models TNA-E) | - Logs: Specify Front, Rear or Top and style/size and shape (Top logs). |
| - Burner Plug                     | - Ember Magic  | - Instructions  |
| - Connector Tube                  | - White Sand   |   |
| - 1/2" FIP x Flared Brass Fitting |  |   |

# LIMITED LIFETIME CONSUMER PRODUCT WARRANTY

The following warranty has been drafted to comply with the MAGNUSON-MOSS WARRANTY ACT applicable to products manufactured after July 4, 1975. It replaces and supersedes any warranty in this package or in any printed literature.

## LIMITED WARRANTY:

RASMUSSEN IRON WORKS INC, 12028 E. Philadelphia Street, Whittier California, U.S.A., warrants this Gas Log Set and accessories against defects in materials and workmanship, and suitable for a particular purpose, for a period of:

- (1) LOG CASTING - All logs are guaranteed against burnout in the original installation for the lifetime of the initial purchaser.
- (2) BURNERS/GRATES - 2 years from date of purchase.
- (3) SAFETY CONTROLS - 2 years from date of purchase.

## THIS WARRANTY IS FOR THE BENEFIT OF THE ORIGINAL PURCHASER.

## WARRANTY ADJUSTMENT:

- (1) RASMUSSEN agrees to repair or furnish a replacement for, but not remove or install any product or component which proves defective within the above warranty and appropriate time periods stated.
- (2) BUYER shall notify RASMUSSEN of any defect within this warranty no later than thirty (30) days after a defect is discovered.
- (3) No product will be accepted for return or replacement without written authorization of RASMUSSEN. Before returning merchandise, write to RASMUSSEN giving full details of the complaint and a copy of sales receipt or other evidence of purchase date. Merchandise returned without proof of purchase date will be serviced out-of warranty at our prevailing service and parts rates. If merchandise was damaged in transit, file claim immediately with the carrier. Products returned must be addressed as follows:

RASMUSSEN IRON WORKS INC  
12028 E. PHILADELPHIA STREET  
WHITTIER CALIFORNIA 90601

Shipping charges must be pre-paid by the buyer. **REPAIR OR REPLACEMENT UNDER THIS WARRANTY WILL BE SHIPPED FREIGHT COLLECT.**

## EXCLUSIONS FROM WARRANTY:

- (1) The foregoing warranty is limited solely as set forth herein and applies only for the periods designated above.
- (2) RASMUSSEN shall not be liable for any loss, damage, incidental or consequential damages of any kind, whether based upon warranty, contract, or negligence, arising in connection with the sale, use, or repair of the product. Some states do not allow the exclusion or limitation of incidental or consequential damages, so the above limitation or exclusion may not apply to you.
- (3) The maximum liability of RASMUSSEN in connection with this limited warranty shall not in any case exceed the contract price paid for the product claimed to be defective or unsuitable.
- (4) This warranty does not extend to any product manufactured by RASMUSSEN which has been subjected to misuse, neglect, accident, improper installation, or use in violation of instructions furnished by RASMUSSEN.
- (5) This warranty does not extend to or apply to any unit which has been repaired or altered at any place other than RASMUSSEN IRON WORKS INC factory, or by persons not expressly approved by RASMUSSEN.
- (6) Components manufactured by any supplier other than RASMUSSEN shall bear only that warranty made by the manufacturer of that product.
- (7) Freight damage, cracking from thermal shock, and color changes occur from causes beyond manufacturer's control and are not covered by any warranty.

**THIS WARRANTY GIVES YOU SPECIFIC LEGAL RIGHTS, AND YOU MAY ALSO HAVE OTHER RIGHTS WHICH VARY FROM STATE TO STATE.**

RASMUSSEN IRON WORKS, INC. shall be held harmless from any and all claims by the buyer as a result of injury or damage to an ultimate user or other person caused by the product sold herein by the seller to the buyer, whether the injury or damage results from the assembly, installation, operation, shipment, storage or manufacture of this product. RASMUSSEN IRON WORKS, INC. makes no warranties, expressed or implied, other than those expressly stated herein.

## - CUSTOMER RESPONSIBILITY -

Your Gas Log is designed to burn with a natural smoky yellow flame that produces carbon soot. Like a wood fire, burning a Gas Log with the flue blocked or closed will cause fumes and smoke to remain in the room and cause health hazards.

**DAMPER MUST BE FULLY OPEN WHEN BURNING A GAS LOG SET.** Never burn wood with your gas log set as this will reduce the life of your gas Log Set and will void any warranty.

## CONSUMER RECORD CARD



**FOR CUSTOMER RECORDS ONLY  
DO NOT SEND THIS CARD TO MANUFACTURER**

LOG MODEL: \_\_\_\_\_

SAFETY CONTROL: \_\_\_\_\_

DATE OF PURCHASE: \_\_\_\_\_

DEALER: \_\_\_\_\_

INSTALLER: \_\_\_\_\_

to position shown.

4. Thread **ORIFICE SPUD (E)** into **3/8" VALVE (F)** and wrench tighten.

5. Apply pipe compound to orifice end of **3/8" V-17 VALVE (F)**. Thread into **3/8" STREET EL (D)** and wrench tighten to position shown.

6. Apply pipe compound to inlet side threads of **V-17 VALVE (F)**. Thread **3/8" CONNECTOR FITTING (G)** onto inlet side of **V-17 VALVE (F)** and wrench tighten.

7. Insert the **RATING PLATE-HEAT SHIELD (H)** between **LOCKING PAL NUT (C)** and **BURNER TUBE (B)**. Wrench tighten the **LOCKING PAL NUT**.

8. Insert **KEY (I)** sleeve over **V-17 VALVE (F)** stem. Insert screw and tighten.

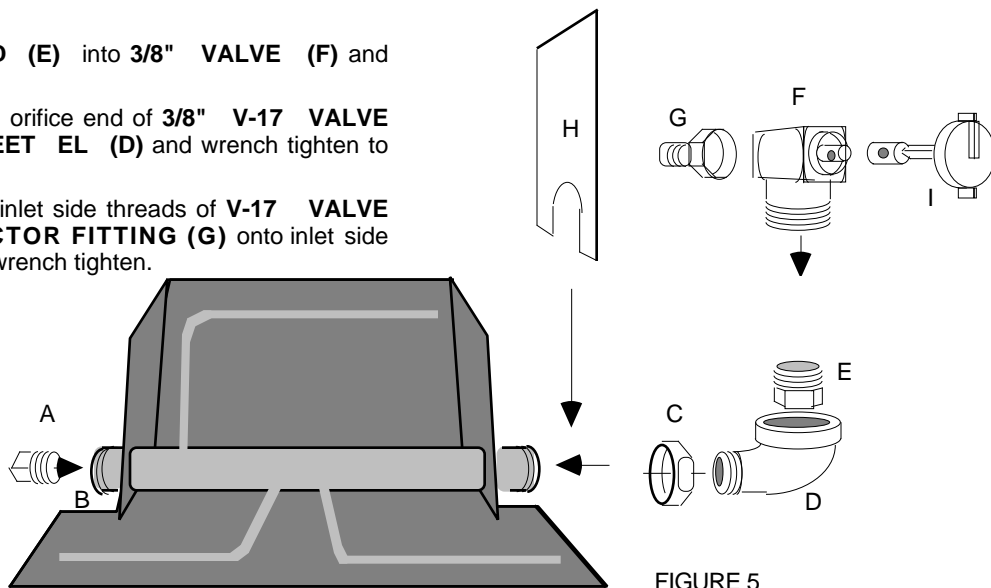


FIGURE 5

