



THE OUTDOOR  
GREATROOM  
COMPANY

## Axel Fire Pit

Installation Instructions for Axel Fire Pit  
AX-16





## IMPORTANT



Please consult your Crystal Fire instruction manual for detailed instructions and important information related to the burner installation including: lighting and operating instructions, safety information, and proper tightening of connections with two wrenches.

**DO NOT ATTEMPT TO INSTALL CRYSTAL FIRE BURNER WITHOUT CONSULTING THE CRYSTAL FIRE OWNER'S MANUAL.**

## CONTENTS

---

1. About Your Fire Table .....	2
a. Required Tools	
b. Included With Your Fire Pit	
2. Assembly Instructions .....	3
a. Unpacking	
b. CF-SPARKER and Control Valve Assembly	
3. Setting Up Your Burner .....	4
a. Gas Connections	
b. Burner Installation	
c. Electrode Installation	
d. Propane Tank Installation	
4. Miscellaneous .....	8
a. Fire Media Installation	
b. Burner Cover Installation	
5. Operating Instructions .....	9
6. Warnings .....	10

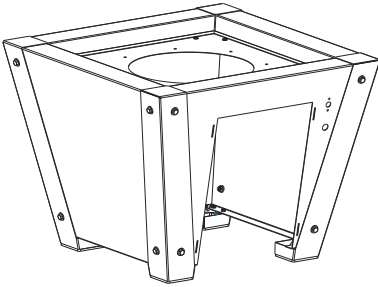


# 1. ABOUT YOUR FIRE TABLE

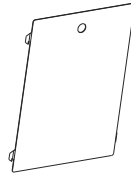
## A. REQUIRED TOOLS (NOT INCLUDED)

- Utility Knife -  
To cut and remove packaging
- 2 Open Ended Wrenches -  
To secure gas connections
- Phillips Screw Driver (*Do not use a drill to assemble*) -  
For assembly
- One AAA Battery (*Not Included*) -  
Required for electric spark igniter installation

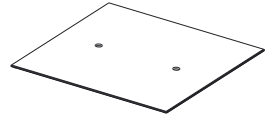
## B. INCLUDED WITH YOUR FIRE PIT



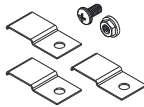
Fully Assembled Axel Fire Pit  
Base (1)



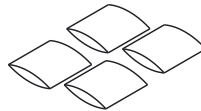
Axel Door Panel  
(1)



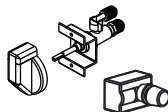
2424 Grey Glass Cover  
(1)



Burner Retaining Clips **P/N: 10241** (3)  
with  
Screw and nut fasteners (3)



Bags of Glass Beads (4)



Control Valve, Knob and  
CF-SPARKER  
(1)



NF-16 Burner and Accessories  
(1)



## 2. ASSEMBLY INSTRUCTIONS



### WARNING



Exposed edges may be sharp, use leather gloves when removing packaging and handling the base.

### A. UNPACKING

- Do not discard any packaging until assembly is complete and unit is tested.
- Keep all included manuals in a safe place for future reference.
- Two people are recommended to remove table from packaging.
- Place table in desired location before installing control valve and gas connection.

### B. CF-SPARKER AND CONTROL VALVE

- Attach Control Valve to control panel opening, located on front of table, with the included screws. Image 2.1
- Remove CF-SPARKER cap and hex nut. Insert AAA battery (*not included*) with + end out. Image 2.2
- Install CF-SPARKER into control panel Image 2.3
- Press in CF-SPARKER button to test your sparker.

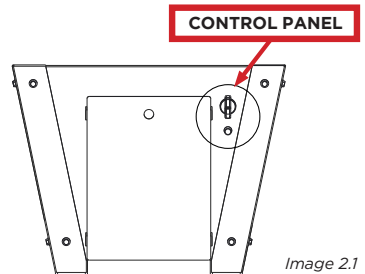


Image 2.1

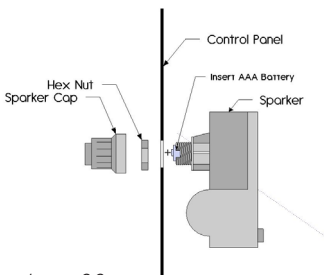


Image 2.2

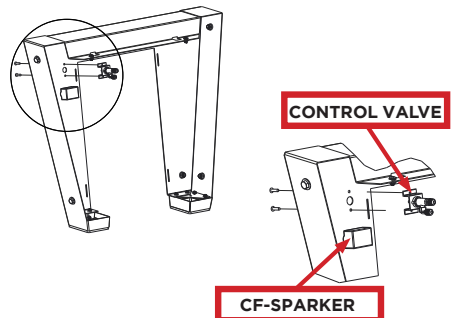


Image 2.3

### 3. SETTING UP YOUR BURNER

#### ⚠ ATTENTION ⚠

Read and understand your Crystal Fire owner's manual before beginning burner hookups or using the device.

**DO NOT USE TEFLON TAPE OR PIPE DOPE ON FLARE FITTINGS.**

#### A. GAS CONNECTIONS

#### ⚠ WARNING ⚠

Ensure valve is in the **OFF** position before making any gas connections.

- Turn valve to OFF position. Image 3.1

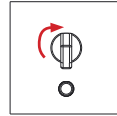


Image 3.1

- **USE TWO WRENCHES TO ENSURE A GAS TIGHT CONNECTION.** Image 3.2

- For propane tank installations, install included propane hose and regulator to the control panel. Image 3.3

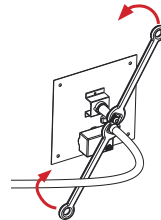


Image 3.2

- For hard piped installations. Connect the gas supply line (*not included*) to the 3/8" male flare fitting on the valve. **USE TWO WRENCHES TO ENSURE A GAS TIGHT CONNECTION.**

- Run gas pipe up through the opening in the bottom on the base. Image 3.4

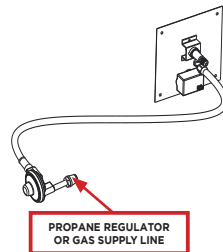


Image 3.3

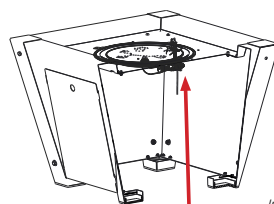


Image 3.4

## IMPORTANT

Please consult your Crystal Fire instruction manual for detailed instructions and important information related to the burner installation including: lighting and operating instructions, safety information, and proper tightening of connections with two wrenches.

**DO NOT ATTEMPT TO INSTALL CRYSTAL FIRE BURNER WITHOUT FIRST CONSULTING THE CRYSTAL FIRE OWNER'S MANUAL.**

## B. BURNER INSTALLATION

### ATTENTION

**TIGHTEN ALL CONNECTIONS SECURELY WITH TWO WRENCHES**

- Remove NF-16 from packaging.
- Ensure the correct orifice is installed for the fuel type you are using (see Crystal Fire burner owner's manual included with burner for orifice sizing information).
- Place NF-16 in opening of table.  
Image 3.5
- Attach burner with retention clips to secure burner. Image 3.6
- Connect flex line to the control valve  
**USE TWO WRENCHES TO SECURE CONNECTION.** Image 3.7

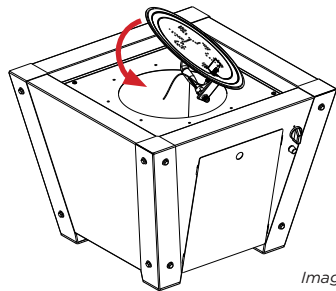


Image 3.5

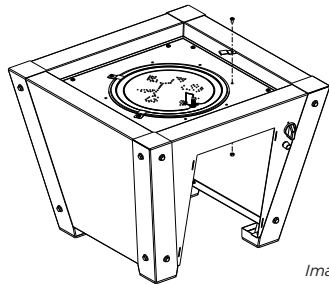


Image 3.6

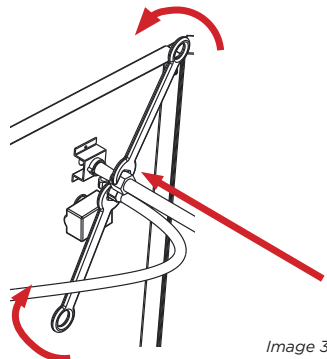
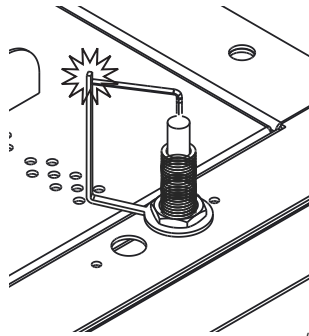
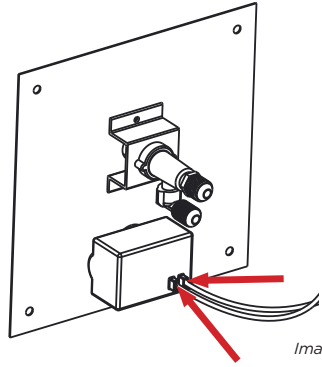


Image 3.7

## C. ELECTRODE INSTALLATION

- Plug both BLACK wires hanging from the burner into the back of the CF-SPARKER. If an orange wire is present, DO NOT USE IT. The orange wire is for Direct Spark Ignition system only. Image 3.8

- Test system by pushing the button on the igniter. Consult the troubleshooting section of the Crystal Fire owner's manual if the spark is weak, intermittent or not present. Image 3.9





## D. PROPANE TANK INSTALLATION

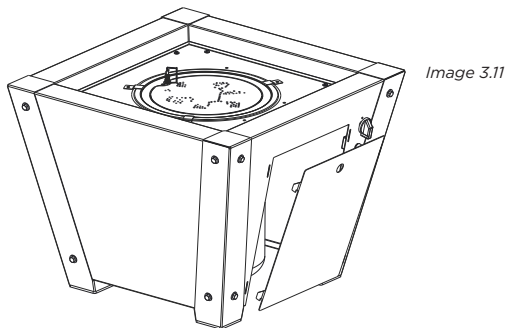
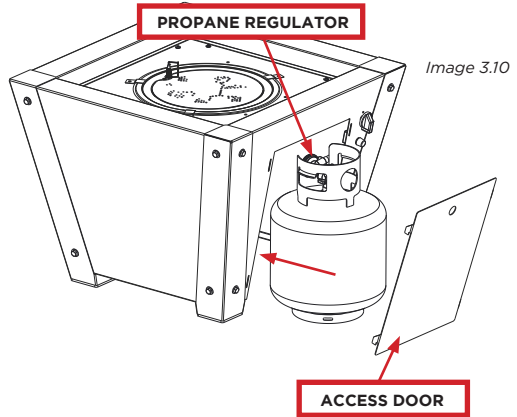


### ATTENTION



**HAND TIGHTEN, DO NOT USE A WRENCH FOR THIS CONNECTION.**

- Remove access door in the front side of the table. Lift up to remove door. Image 3.10
- With the propane tank valve and fire pit valve OFF, attach the propane regulator to the propane tank.
- Slide tank inside table. Make sure all hoses and connections are free of the door. Image 3.10
- Replace the access door. Image 3.11





## 4. MISCELLANEOUS

### A. FIRE MEDIA INSTALLATION

#### **WARNING**

DO NOT OPERATE CRYSTAL FIRE BURNER WITHOUT INCLUDED GLASS BEADS OR OTHER APPROVED FIRE MEDIA.

- Scatter all included glass beads, lava rock, or other approved fire media evenly across entire burner surface. Image 4.1

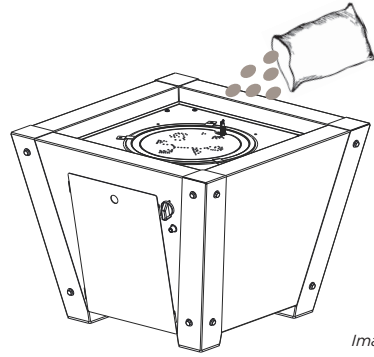


Image 4.1

### B. BURNER COVER INSTALLATION

#### **WARNING**

DO NOT OPERATE CRYSTAL FIRE BURNER WITH BURNER COVER IN PLACE.

- Fully shut off gas supply to table and turn control valve knob to OFF position. Wait for burner to become cool before placing cover. Image 4.2
- Carefully place the cover on top of the burner. Image 4.3
- Remove burner cover before attempting ignition.

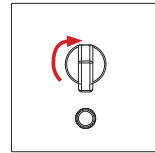


Image 4.2

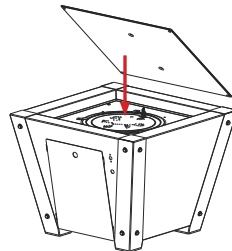


Image 4.3



## 5. OPERATING INSTRUCTIONS



### IMPORTANT



**Before operating your AX-16, ensure all gas connections are properly tightened and thoroughly leak checked. Refer to the Crystal Fire manual for information on proper leak checking and other critical safety information.**

With the valve on the fire pit in the OFF position, open the valve on the propane tank or natural gas supply.

With burner cover removed, double check to make sure there are no gas leaks at the regulator or inlet side of the valve. If leak is detected, immediately shut off the gas supply and wait 5 minutes to allow gas to dissipate. Fix any leaks before proceeding.

Press the sparker button and hold, look and listen for spark between electrode and grounding rod.

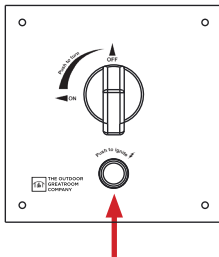
While depressing the sparker, open the valve.



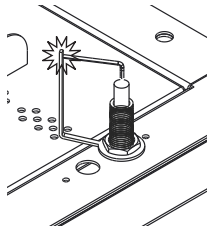
### ATTENTION



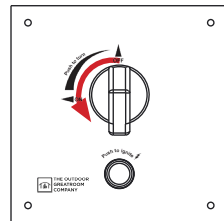
Refer to the Crystal Fire manual included with your burner for more detailed information on operation, maintenance, and safety of your burner.



1. Press in sparker



2. Look/listen for spark



3. Turn valve to ON

If burner does not light after 10 seconds, close the valve and wait 5 minutes to allow gas to dissipate before attempting ignition again.

## 6. WARNINGS

### **IMPORTANT**

Please consult your Crystal Fire instruction manual for detailed instructions and important information related to the burner installation including: lighting and operating instructions, safety information, and proper tightening of connections with two wrenches.

**DO NOT ATTEMPT TO INSTALL CRYSTAL FIRE BURNER WITHOUT FIRST CONSULTING THE CRYSTAL FIRE OWNER'S MANUAL.**

### **WARNING**

**After consulting the manual and following instructions, remember: before operating, all gas connections must be fully checked for leaks.**



**WARNING:** This product can expose you to chemicals including Carbon Monoxide and Benzene which are known to the State of California to cause cancer or birth defects or reproductive harm. For more information, visit [www.P65Warnings.ca.gov](http://www.P65Warnings.ca.gov)

Thank you for purchasing an  
Outdoor GreatRoom Company  
product! This fire pit was made  
with pride in the USA.



**Warranty:** Fire pit tables are covered under a 1 year  
manufacturer's warranty.

Please visit <http://www.outdoorrooms.com/product-registration>  
to register your product.



14400 Southcross Drive West • Suite 100 • Burnsville, MN 55306  
Toll Free: 1-866-303-4028 • [Sales@OutdoorRooms.com](mailto:Sales@OutdoorRooms.com)