



## Sonoma Outdoor Kitchen Pergola Assembly Instructions



## Introduction

Thank you for your purchase from The Outdoor GreatRoom Company. This pergola has been engineered and manufactured in the USA. This user manual will help make the installation and setup of your new pergola fast and easy. The Outdoor GreatRoom Company recommends visiting with your local authority for building codes, restrictions, or requirements for this product. Please read the manual through before starting the project.

This pergola is made of premium grade kiln dried Douglas Fir. Douglas Fir, if maintained properly, will last a very long time, similar to life of both Cedar and Redwood. All finished pieces have been stained via submersion to ensure even penetration. It is recommended that the pergola receive a clear, oil-based stain yearly to maintain the color, minimize warping and prevent rotting. Every few years a colored oil based stain should be used to keep the original color.

### Important:

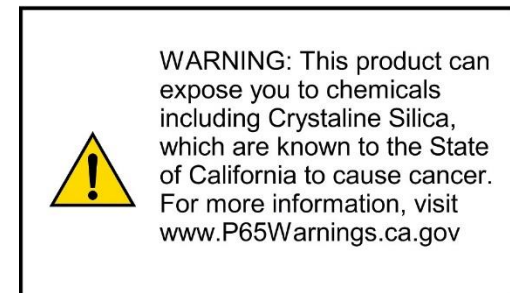
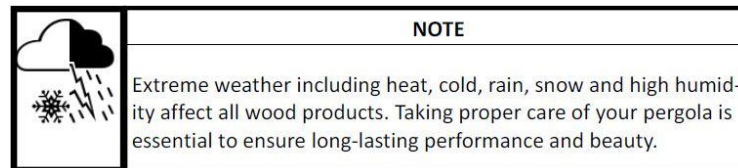
- **Anchoring Required—Contact your local authority for details**
- **Read instructions prior to assembly**
- **Assistance is required and we recommend at least 2 people for installation**
- **Do not let wood pergolas sit on bare ground. Over time this can cause moisture damage and rotting of wood.**
- **If you have questions contact the place of purchase.**

Douglas Fir Lumber may have minor surface splits. This occurs while the lumber dries and seasons. This characteristic is also known as “checking” in the lumber industry. These can be upwards of 1/8” running inches to feet in length. These characteristics do not affect the structural strength and integrity of the product nor does it affect or void the warranty.

**Before Beginning, make sure that all components listed on the next page were included with your hardware kit. Contact your dealer if any parts are missing.**

### Tools Required

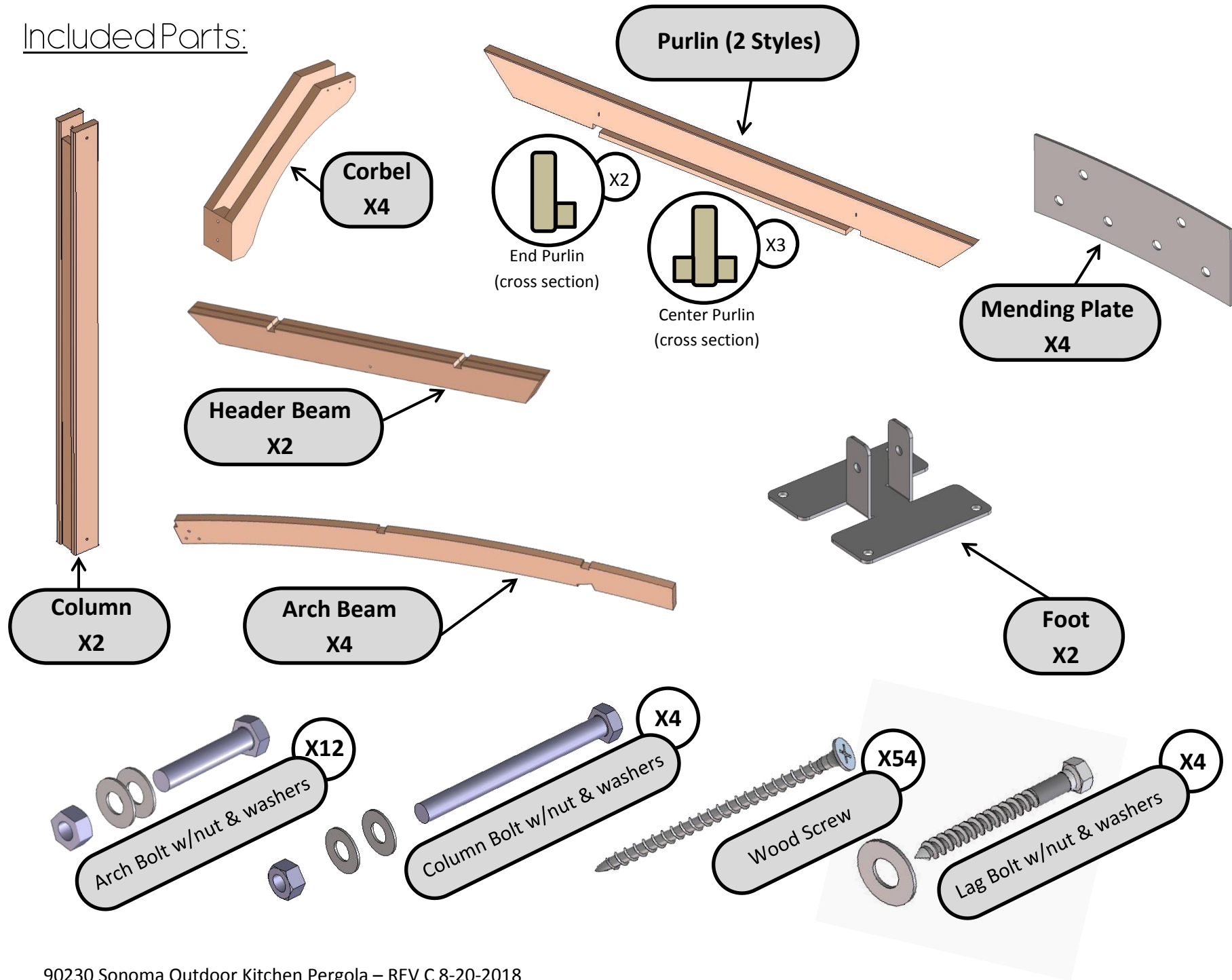
- Corded or Cordless Drill
- Measuring Tape
- Level
- Metric Socket Set
- Rubber Mallet
- Step Ladder
- Hammer Drill\*
- Concrete Drill Bit\*
- Concrete Anchors\*



\*Only required for anchoring to concrete surfaces.

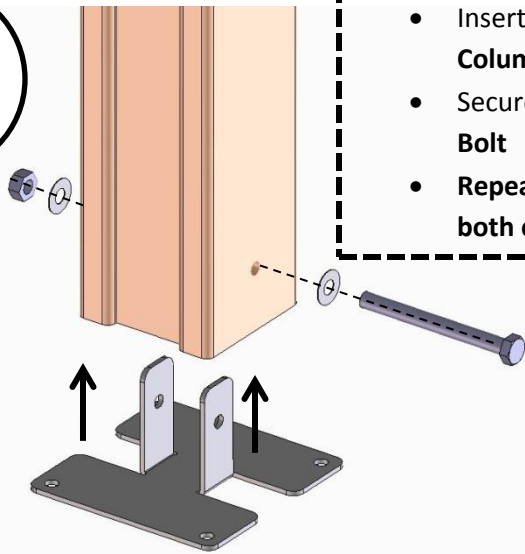
**Disclaimer—The Outdoor GreatRoom Company is not liable for damage caused by weather or misuse.**

Included Parts:



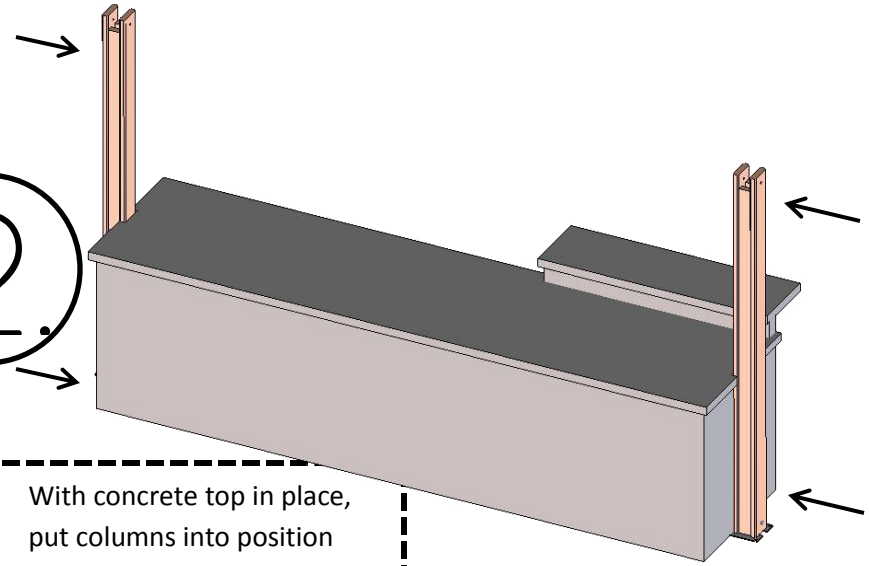
# Assembling the

1.



- Insert **Foot** into **Column** as shown.
- Secure with **Column Bolt**
- Repeat this step for **both columns**.

2.

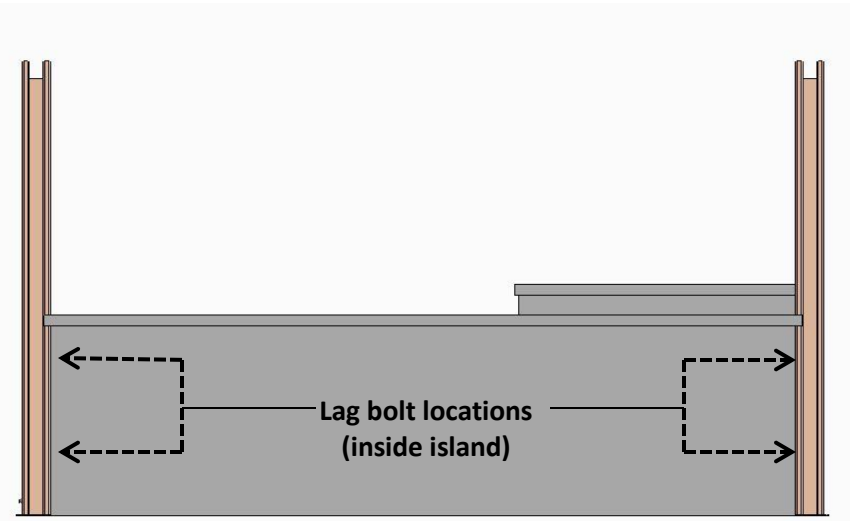


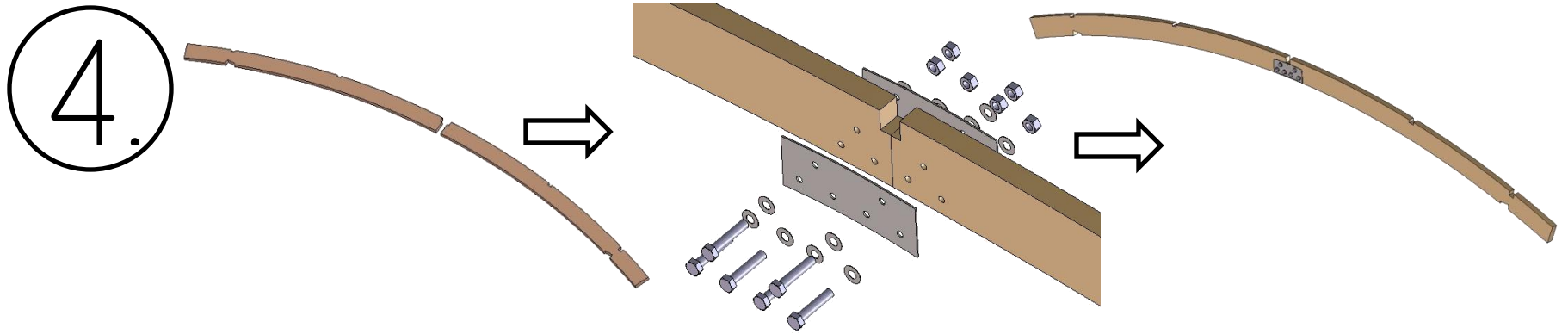
- With concrete top in place, put columns into position with **bolt heads facing inwards toward the center of the island**.
- **Make sure the columns are centered before step 3**

**Note: There are 4 holes in each foot for anchoring. In this model, only the two outside holes will be used on each side.**

3.

- Pre-drill the lag bolt holes from inside the island with a drill bit slightly smaller than the lag bolts. This will prevent the column from splitting.
- Insert the supplied **Lag Bolts** with washers into the columns from inside the island.
- Removing installed drawers and/or refrigerator may be required to access the lag bolt bracket locations.

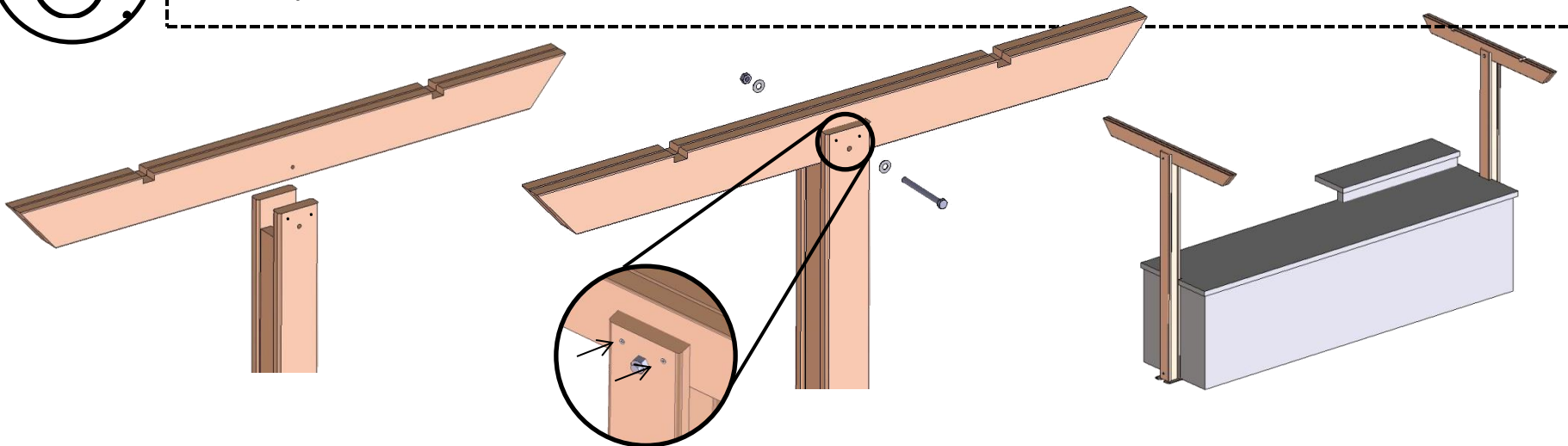




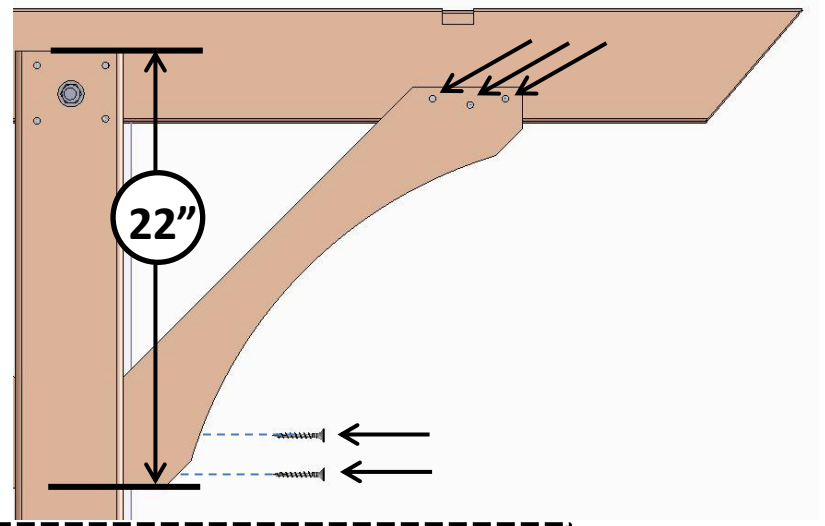
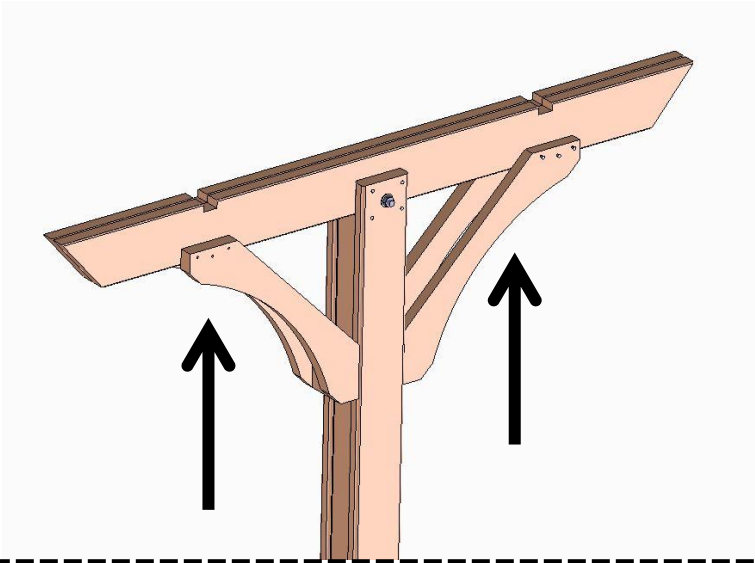
- Lay **Arch Beams** on a flat surface
- Assemble as shown with a **Mending Plate and washer** on each side; secure with **Arch Bolts** and nuts.
- **Repeat for second set of Arch Beams.** Set aside.

5.

- Set **Header Beams** into place. Using a washer on each side, secure with **Column Bolts**.
- Insert **Wood Screws** into the top of the columns (2 screws per side) as shown.
- **Repeat for second Header Beam.**

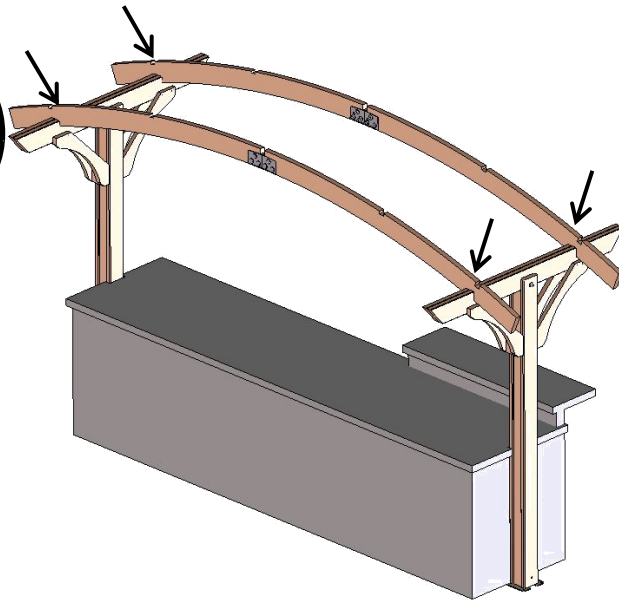


6.

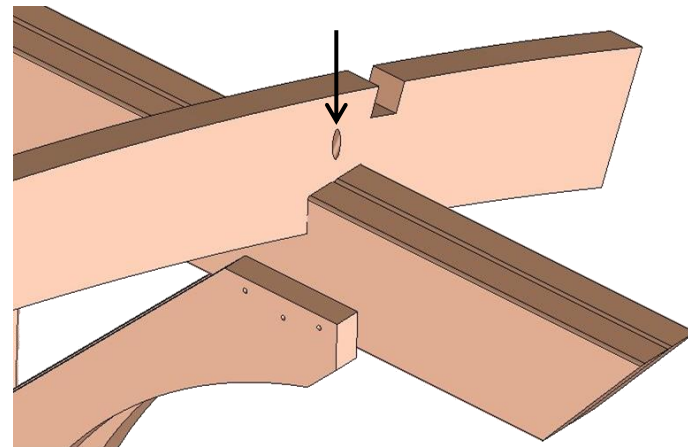


- Mark height for **Corbels** (22" from top of column to bottom of corbel) with a pen or pencil before installing
- Install corbels and insert screws as shown above. Screws are inserted from both sides of **Header Beam** where the **Corbels** are attached.
- **Repeat for all corbels.**

7.

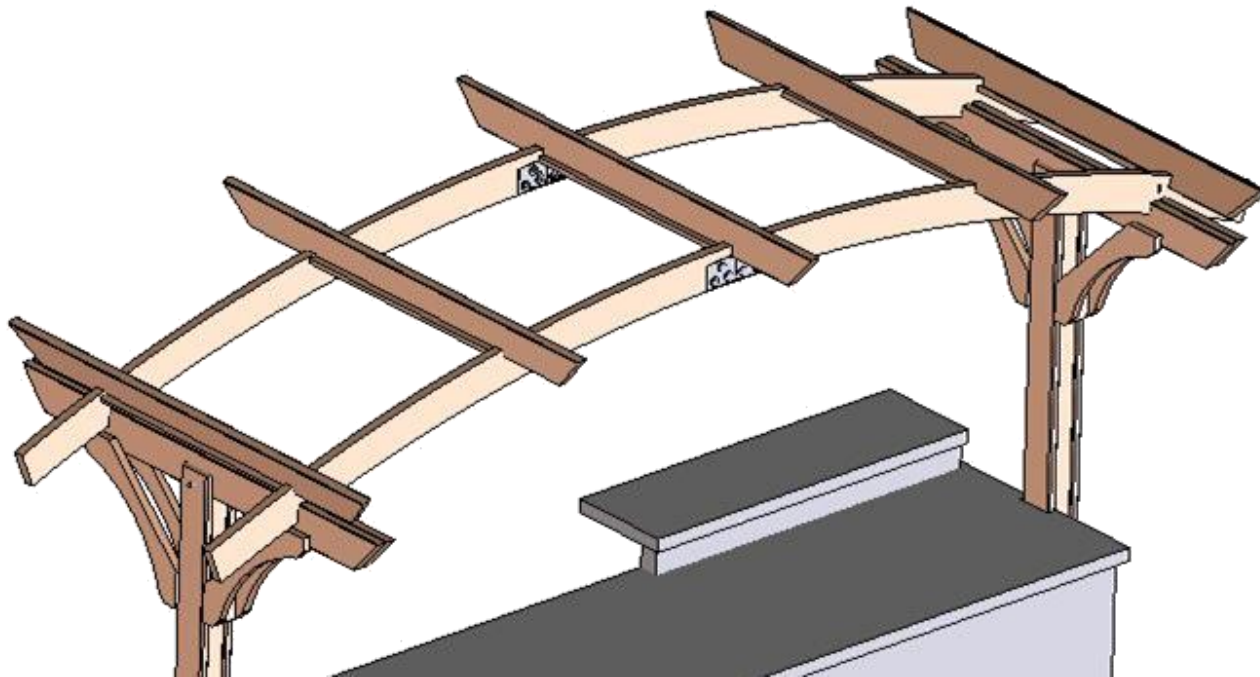
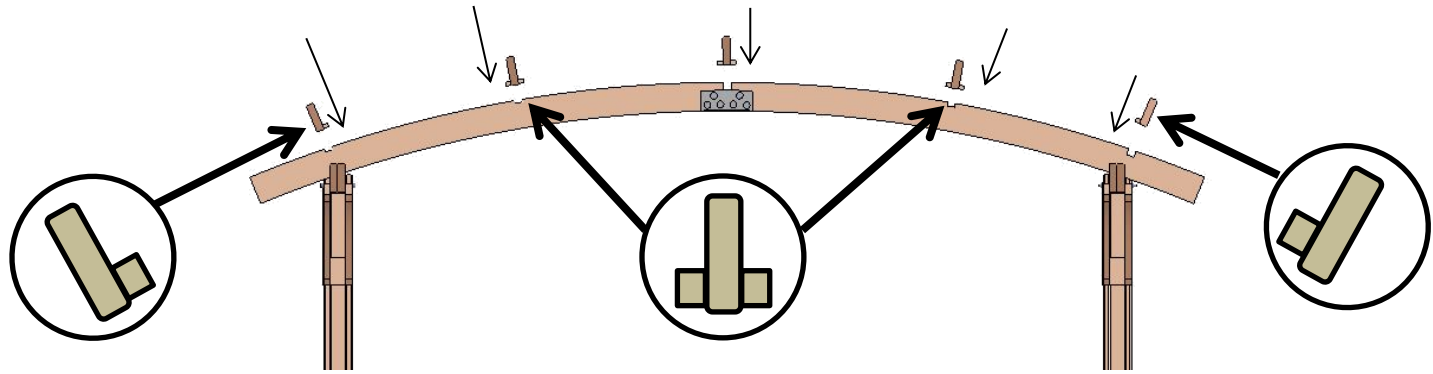


- Set **Arch Beams** into the grooves in the top of the **Header Beams**
- Fasten with a **Wood Screw** at the locations shown by arrows.



8

- Set **Purlins** into position in the orientations shown below and secure with **Wood Screws** through the pre-drilled holes in each purlin.



## 9 Optional step

- At this time, if Lattice Panels were purchased, they can be set into place by simply orientating the panel so that it follows the arch of the pergola.
- If desired, wood screws can be used to fasten lattice to the pergola structure.

## 10 Anchoring Information

- **This pergola arch should be properly anchored to the surface it is sitting on.**
- A footing diameter of 12-18" is recommended (12" minimum) if using poured concrete footings.
- Footing depths are typically 24" or 42" for extreme cold climates. Check your local building codes for exact specifications.
- Do not fully tighten footing bolts until unit is fully assembled, level, and square.
- If installing on a surface other than concrete, see local codes or speak to a local authority before anchoring your pergola structure.





## The Outdoor GreatRoom Company Outdoor Products Limited Warranty

Your new Sonoma pergola is warranted against structural defects for a period of three (3) years from the date of purchase. This does not apply to damage caused by excessive loads such as snow or use of roof as storage. Your Sonoma pergola is warranted against defects in finish and other defects not related to structure for a period of one (1) year from the date of purchase. All metal hardware must be sprayed with a clear lacquer sealer once your pergola is assembled to prevent rust and corrosion.

The Outdoor Greatroom Company extends the following warranty for Outdoor Greatroom outdoor products used in the United States of America or Canada. Dealers and employees of The Outdoor Greatroom Company have no authority to make any warranty or authorize any remedies in addition to or inconsistent with the terms of this warranty. This warranty gives you specific legal rights. You may also have other rights that vary from state to state.

The Outdoor Greatroom Company warrants that this Outdoor Greatroom Outdoor Product (the "Product") will be free from defects in material and workmanship for a period of one year from its date of purchase. This warranty is subject to the conditions, exclusions and limitations described below.

This warranty applies only to the original owner of the Product and is non-transferable. The Outdoor Greatroom Company obligation under this warranty does not extend to damages resulting from (1) assembly, operation or maintenance of the Product not in accordance with the Installation/Assembly Instructions, Operating Instructions and the Listing Agency Identification Label furnished with the Product; (2) installation or use which does not comply with local building codes and ordinances; (3) shipping, improper handling, improper operation, abuse, misuse, accident or unworkmanlike repairs; (4) use of fuels other than those specified in the Operating Instructions; (5) Installation or use of components not supplied with the Product or any other components not expressly authorized and approved in writing by The Outdoor Greatroom Company; and/or (6) modification of the Product not expressly authorized and approved in writing by The Outdoor Greatroom Company. Any of the circumstances described in the previous sentence voids this warranty. This warranty is void if the Product or any component has been removed, repaired, or replaced before The Outdoor Greatroom Company has been afforded a reasonable opportunity to inspect the Product.

This warranty is limited to the replacement or repair of defective components or workmanship and The Outdoor Greatroom Company may fully discharge its obligations under this warranty by repairing or replacing, at its discretion, the defective components. The Outdoor Greatroom Company will provide replacement parts at no charge and will pay reasonable and necessary labor and freight costs related to replacing or repairing defective components under this warranty. The maximum amount recoverable under this warranty is limited to the purchase price of the Product and, if The Outdoor Greatroom Company is unable to provide replacement or repair in an expedient and cost-effective manner, The Outdoor Greatroom Company may discharge all obligations under this warranty by refunding the purchase price of the Product.

EXCEPT TO THE EXTENT PROVIDED BY LAW, THE OUTDOOR GREATROOM COMPANY MAKES NO EXPRESS WARRANTIES OTHER THAN THE WARRANTY EXPRESSED HEREIN. THE DURATION OF ANY IMPLIED WARRANTY IS LIMITED TO THE DURATION OF THE WARRANTY SPECIFIED ABOVE. IN NO EVENT SHALL THE OUTDOOR GREATROOM COMPANY BE LIABLE FOR ANY INCIDENTAL OR CONSEQUENTIAL DAMAGES CAUSED BY DEFECTS IN THE PRODUCT. Some states do not allow limitations on how long an implied warranty lasts, or do not allow exclusion or limitation of incidental or consequential damages, so these limitations may not apply to you.

### To obtain service under this warranty, you must:

1. Send written notice of the claimed condition to: The Outdoor Greatroom Company, 14400 Southcross Drive West, Suite 100, Burnsville MN, 55306.
2. Affirm that you are the original owner of the Product.
3. Provide The Outdoor Greatroom Company reasonable opportunity to investigate the claim, including reasonable opportunity to inspect the Product prior to any repair or replacement work and before the Product or any component of the Product has been removed.

<http://www.outdoorrooms.com>

