

# Grate Kit Collection

## 13" Grate Kit

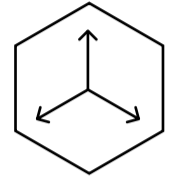
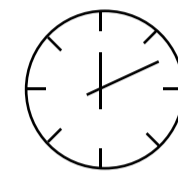
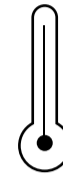
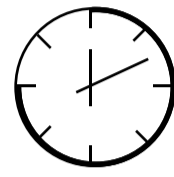
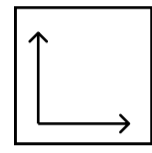
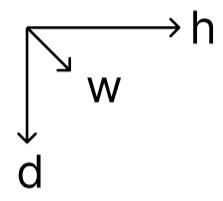


### Included Accessories



# Grate Kit Collection

## 13" Grate Kit



Dimensions H x W x D mm/in	Fuel Capacity	Heats on Average (indoors)	Fuel Consumption	Thermal Output Net (MAX)	Approx. Burn Time	Minimum Room Size (per burner)
100 × 354 × 217 3.9 × 13.9 × 8.5	2.0L	Over 40m <sup>2</sup> [430 ft <sup>2</sup> ]	0.30 L per hour	12,000 BTU/h 3.5 Kw	7 hours	150 sq. ft.

### Awards

2010 Winner Outdoor Hearth Products Vesta Awards

### Application

Indoor & Outdoor

### Materials

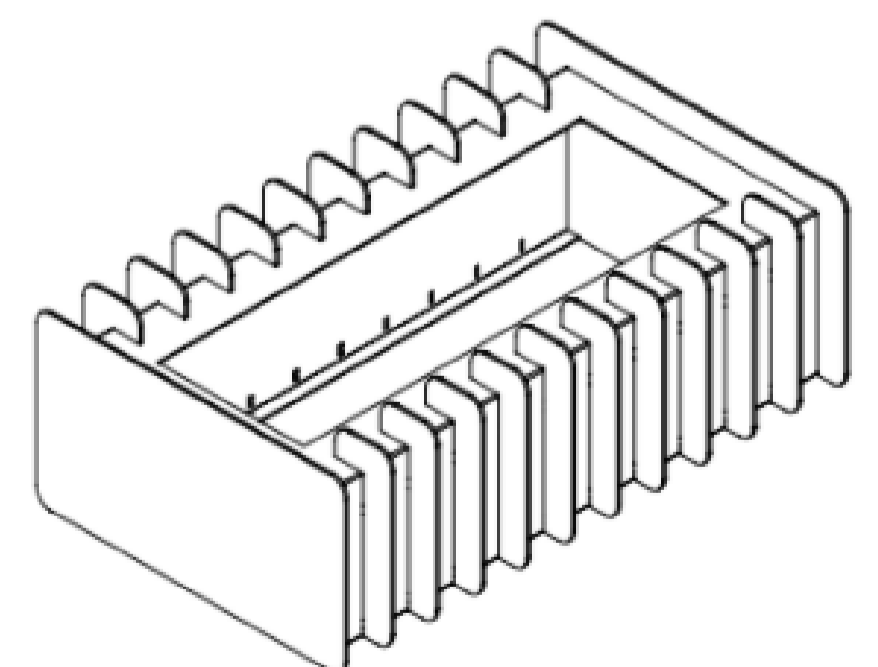
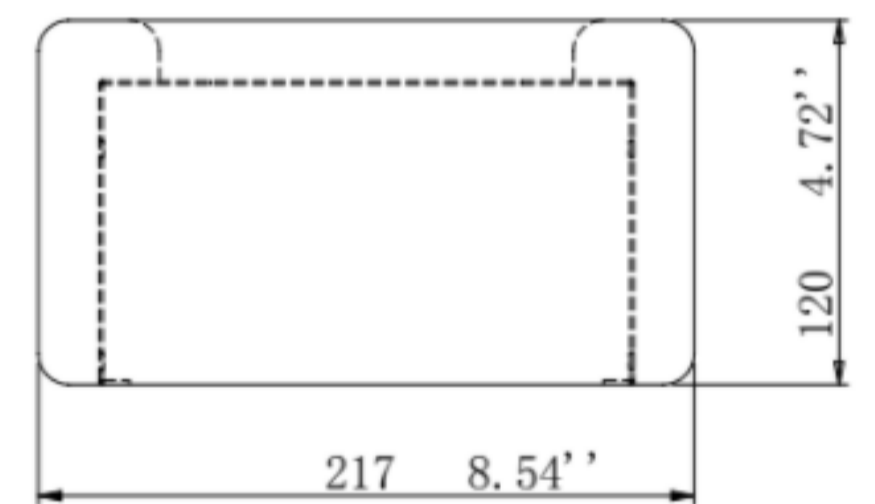
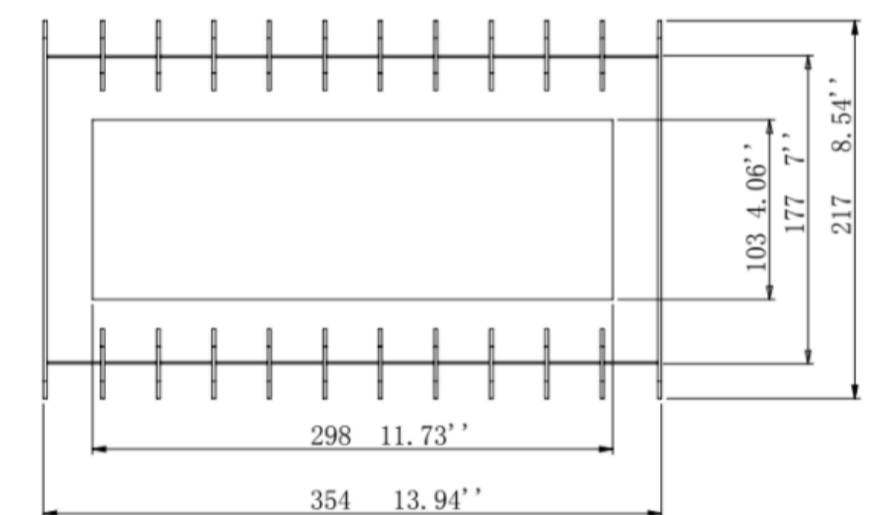
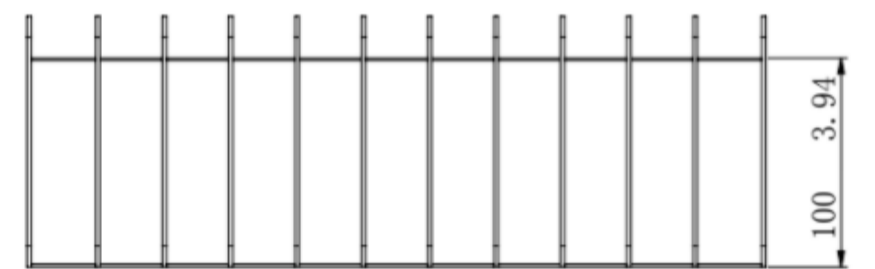
304 Stainless Steel Construction

### Approx. Weight

13 lbs

### Fuel Type

Bio Ethanol Fuel



Global Compliance  
All burners are UL Listed in accordance with ANSI/UL1370 in the USA and comply with the ACCC Safety Mandate for Australia.



Lifetime Warranty

FOR MORE INFORMATION PLEASE REFERENCE THE CLEARANCE & INSTALLATION MANUAL

\*Dimensions may vary by 2% (plus or minus) due to material attributes. Template not provided. The Bio Flame recommends using the actual fireplace or burner model when making final cut out

