



METAL-FAB INC.



DIRECT VENT PRODUCTS
DIRECT VENT CHIMNEY

FOR USE WITH GAS-FIRED APPLIANCES.

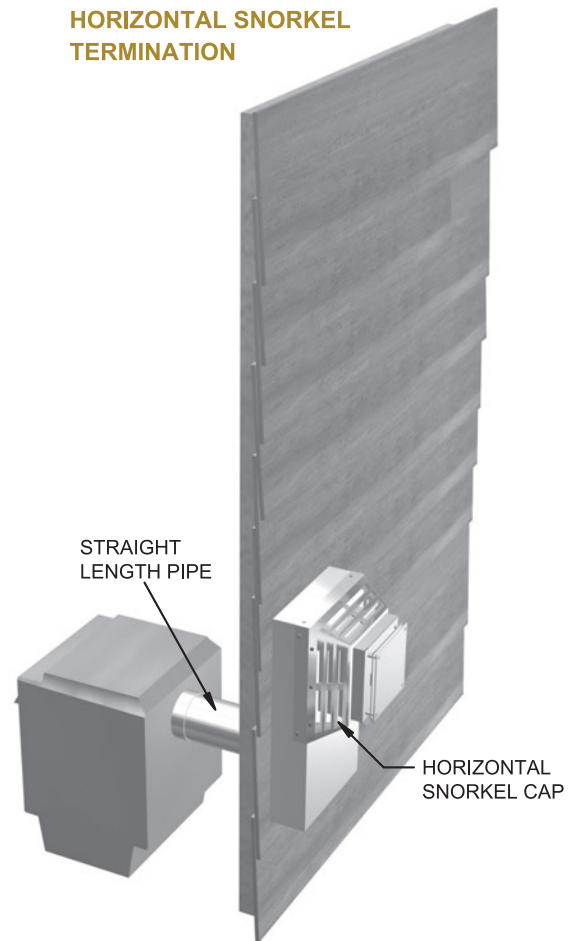
Metal-Fab Direct Vent Chimney offers the same high quality, attention to detail, and superior performance as our other vent products:

- Stainless steel inner flue, superior to aluminum for high heat applications.
- Size - 4x6, 5x8 and 8x11 available.
- Unitized construction eliminates field assembly of inner flue and casing.
- Twist connections with SureLock™ provide quick, positive, fastener-free installation on 4x6 components.
- Precision pipe and fittings have been engineered for optimum appliance performance in both horizontal and vertical configurations. Field-applied sealant is not required.
- Laboratory tested and listed with each appliance.
- Wind, rain, and thermal performance-tested for safer, dependable operation.
- Black and galvanized casings available.
- All elbows swivel for easy alignment of system components.
- Single multi-adjustable length.
- 1 - 2 day shipping, 100% order fill.

New Technology

The special double-wall construction of Metal-Fab Direct Vent allows direct vent stoves and fireplaces to operate without using air from inside the building. These direct vent appliances draw combustion air in from outdoors through the direct vent system, meaning that warm inside air is not being used to fuel the appliance. The appliance burns efficiently without creating fumes, condensation or smoke in the room.

DIRECT VENT - FREE STANDING HORIZONTAL SNORKEL TERMINATION



Better Design, Better Construction

Centering brackets are attached to the inner flue, but not to the casing. This unique design allows for expansion and contraction, but prevents possible misalignment of flue and casing. No need for field assembly of inner flue and casing.

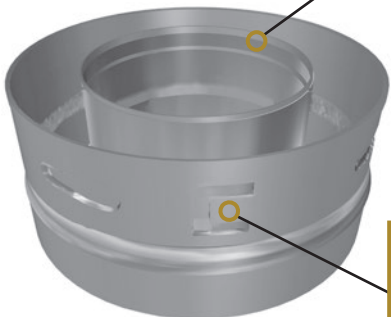
Chamfered ends on each end of the flue provide positive fit and easy slide-together assembly.

Exclusive SureLock™ locking system on 4x6 components makes connections fast, easy and tool-free. Just push pipes together, twist and push SureLock tab in. Easily unlocked if disassembly is necessary.

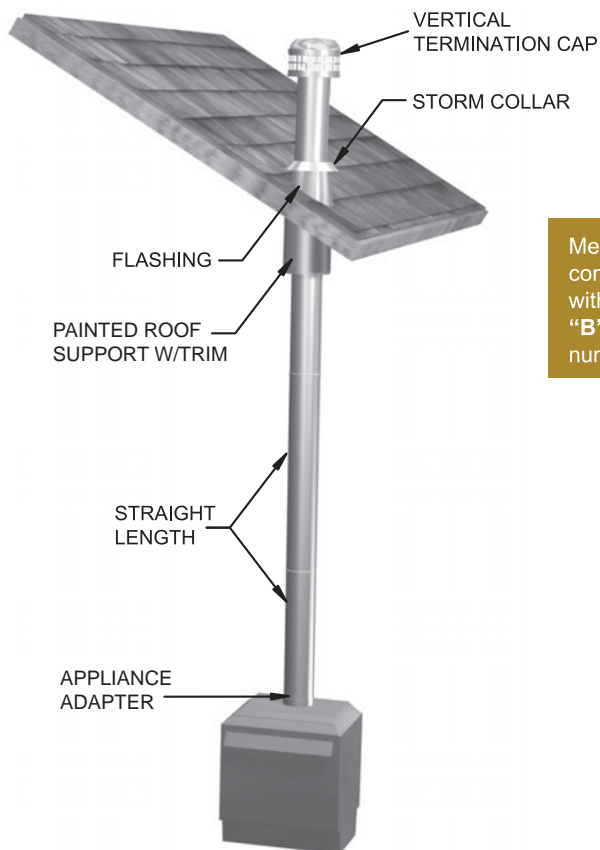
Inner flue is heavy gauge 430 stainless steel to fight corrosion and provide strength and integrity to the vent system.

Precision engineering and construction provide for an airtight connection without the need for a seal required by other brands. Also eliminates the need to apply sealant in the field.

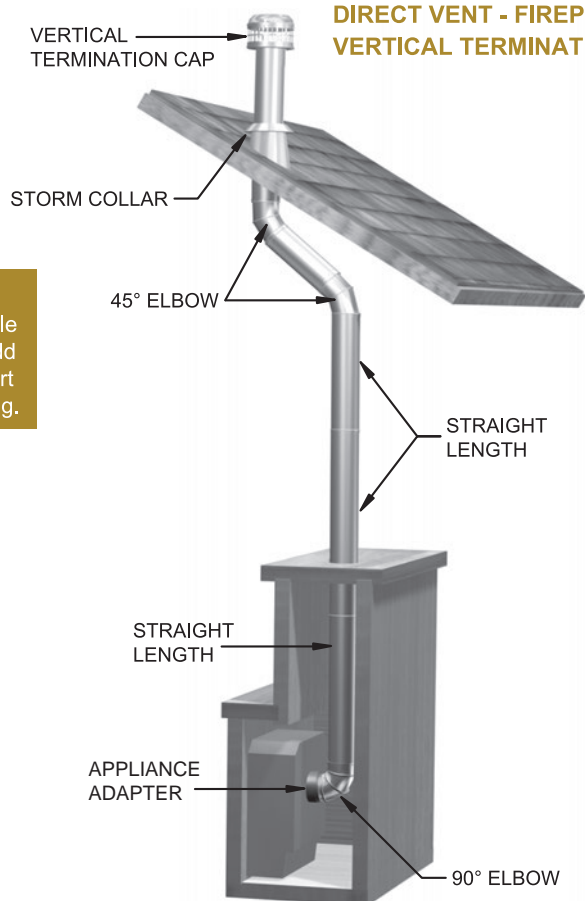
Outer casing is heavy gauge steel with galvanized or durable black painted finish.



DIRECT VENT - FREE STANDING VERTICAL TERMINATION



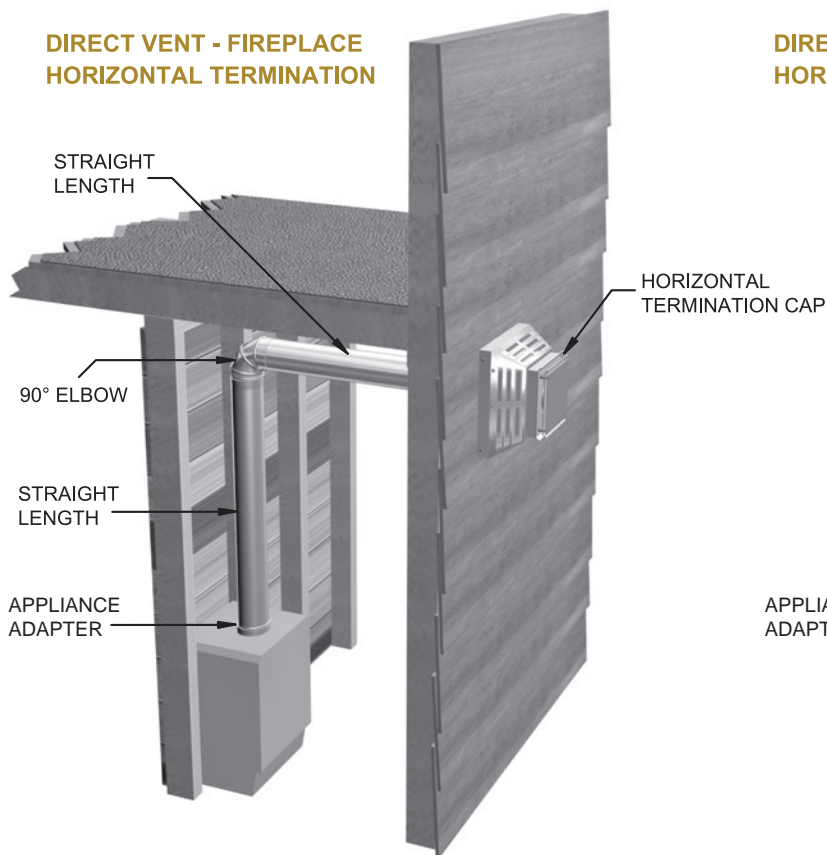
DIRECT VENT - FIREPLACE VERTICAL TERMINATION



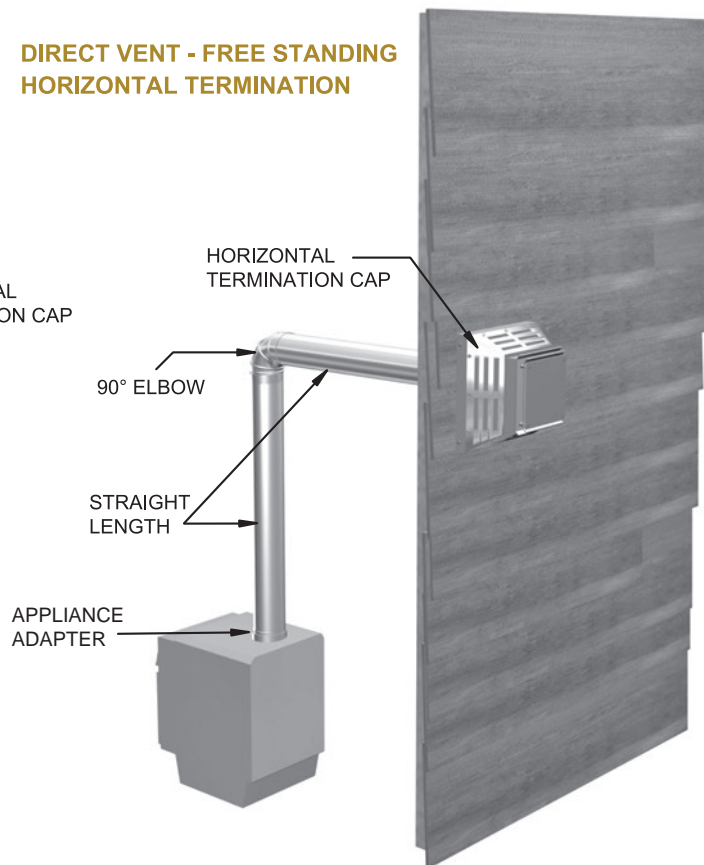
Metal-Fab Direct Vent components are available with black finish. Just add "B" to the end of the part numbers you are ordering.



DIRECT VENT - FIREPLACE HORIZONTAL TERMINATION

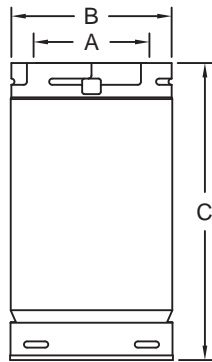


DIRECT VENT - FREE STANDING HORIZONTAL TERMINATION



Note: Twist-Lock Pipe overlaps 1½" when joined together. Therefore, assembled length on all sizes is 1½" less than listed length.

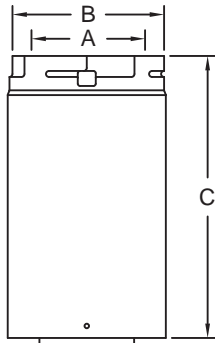
STRAIGHT LENGTH ASSEMBLY



CAT NO.	A	B	C	CAT NO.	A	B	C
4D6	4.00"	6.50"	6.00"	5D6	5.00"	8.00"	6.00"
4D12	4.00"	6.50"	12.00"	5D12	5.00"	8.00"	12.00"
4D18	4.00"	6.50"	18.00"	5D18	5.00"	8.00"	18.00"
4D24	4.00"	6.50"	24.00"	5D24	5.00"	8.00"	24.00"
4D36	4.00"	6.50"	36.00"	5D36	5.00"	8.00"	36.00"
4D48	4.00"	6.50"	48.00"	5D48	5.00"	8.00"	48.00"

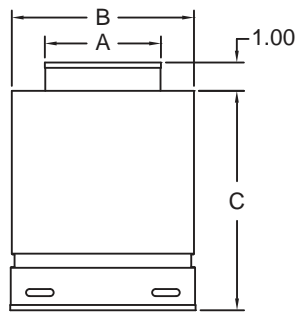
CAT NO.	A	B	C
8DV6	8.00"	11.00"	6.00"
8DV12	8.00"	11.00"	12.00"
8DV24	8.00"	11.00"	18.00"
8DV36	8.00"	11.00"	36.00"
8DV48	8.00"	11.00"	48.00"

ADJUSTABLE LENGTH



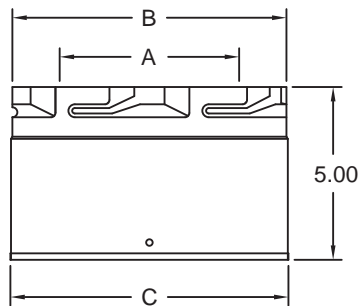
CAT NO.	A	B	C	ADJUSTABLE RANGE
4DAL	4.00"	6.50"	11.75"	3.00" TO 10.00"
5DAL	5.00"	8.00"	11.75"	3.00" TO 10.00"
8DVAL	8.00"	11.00"	11.75"	3.00" TO 10.00"

SLIP CONNECTOR



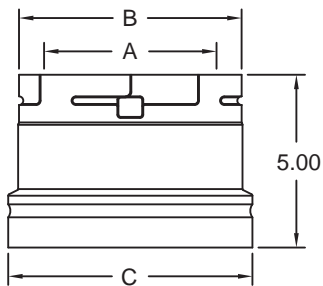
CAT NO.	A	B	C
4DSL A	4.07"	6.43"	7.75"

DURAVENT ADAPTER



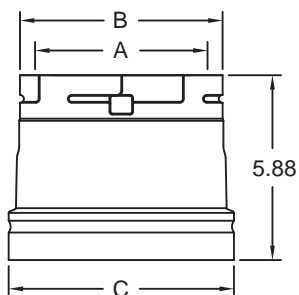
CAT NO.	A	B	C
4DDA	4.00"	6.50"	6.64"
5DDA	5.00"	8.00"	8.01"

NAPOLEON ADAPTER



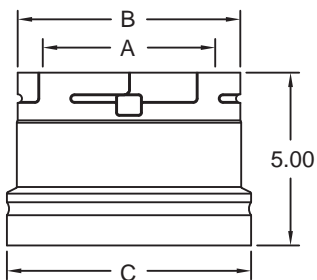
CAT NO.	A	B	C
4DNA	4.00"	6.50"	7.03"
5DNA	5.00"	8.00"	8.08"

NAPOLEON STOVE ADAPTER



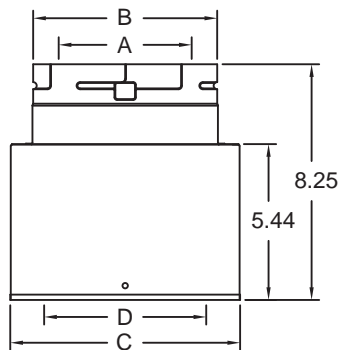
CAT NO.	A	B	C
4DNAS	4.00"	6.50"	7.16"

MONESSEN ADAPTER



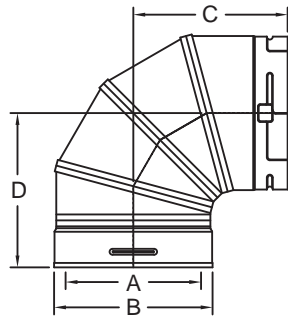
CAT NO.	A	B	C
4DMA	4.00"	6.50"	7.07"

5" TO 4" ADAPTER



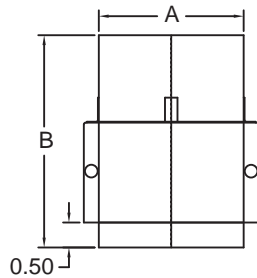
CAT NO.	A	B	C	D
54DTA	4.00"	6.50"	8.00"	5.00"

90° ADAPTER



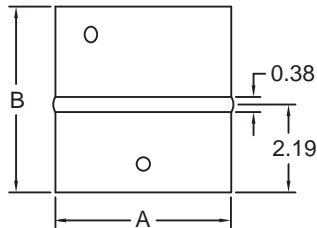
CAT NO.	A	B	C	D
4D90A	4.00"	6.50"	6.50"	6.50"
5D90A	5.00"	8.00"	7.38"	7.38"

CO-LINEAR FLEX CONNECTOR



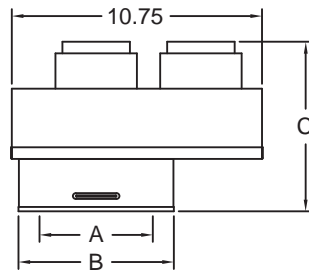
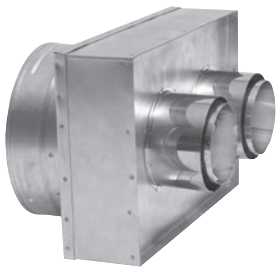
CAT NO.	A	B
4DV3A	2.90"	4.25"

FLEX PULLER/CONNECTOR



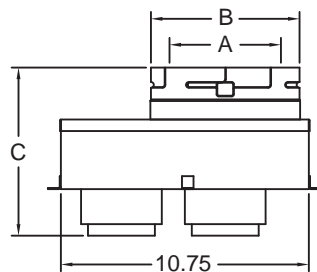
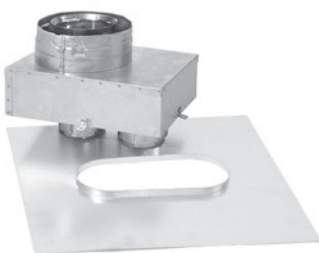
CAT NO.	A	B
3FPC	2.94"	4.63"
4FPC	3.94"	4.63"

CO-AXIAL TO CO-LINEAR ADAPTER



CAT NO.	A	B	C
4DVLA	4.00"	6.50"	7.28"

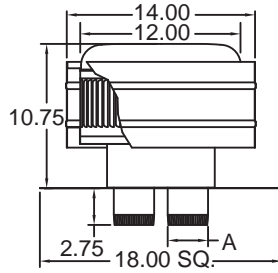
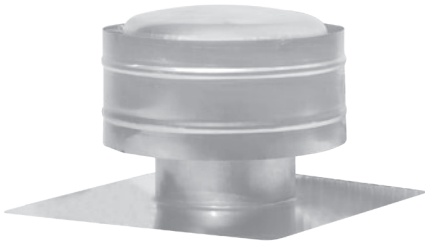
DIRECT VENT LINER KIT



CAT NO.	A	B	C
4DVLTK	4.00"	6.50"	7.28"

NOTE: Standard with flashing

VERTICAL LINER TERMINATION



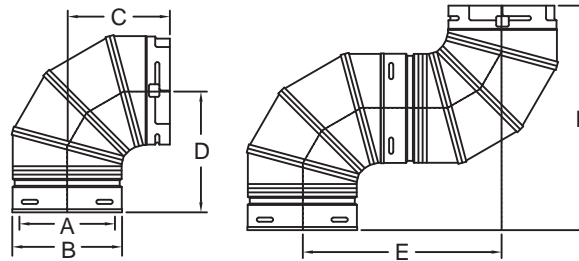
CAT NO.	A	B
4DVT33F	3.00"	3.00"
4DVT43F	4.00"	3.00"

FLEXIBLE CHIMNEY LINERS



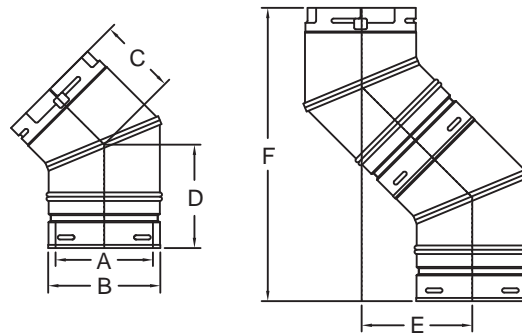
CAT NO.	Size and identification
FLX0325	3" Diameter x 25' length
FLX0335	3" Diameter x 35' length
FLX0425	4" Diameter x 25' length
FLX0435	4" Diameter x 35' length

90° SWIVEL ELBOW



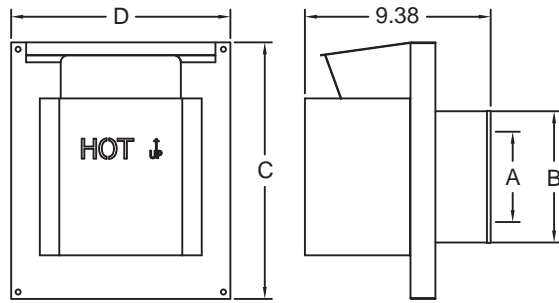
CAT NO.	A	B	C	D	E	F
4D90L	4.00"	6.50"	6.13"	7.25"	13.38"	12.00"
5D90L	5.00"	8.00"	7.75"	9.00"	16.62"	15.25"
8DV90L	8.00"	11.00"	11.50"	12.75"	22.88"	24.38"

45° SWIVEL ELBOW



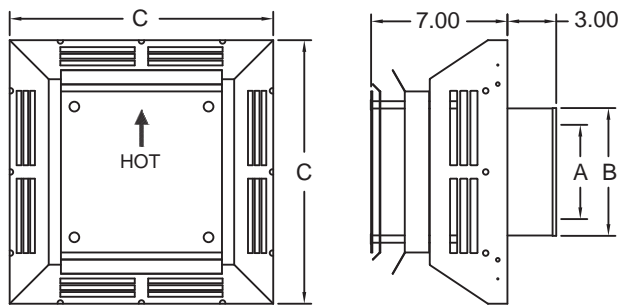
CAT NO.	A	B	C	D	E	F
4D45L	4.00"	6.50"	4.50"	6.12"	6.50"	17.12"
5D45L	5.00"	8.00"	4.50"	5.25"	5.93"	15.62"
8DV45L	8.00"	11.00"	6.00"	7.25"	8.38"	21.50"

ECONOMY HORIZONTAL TERMINATION



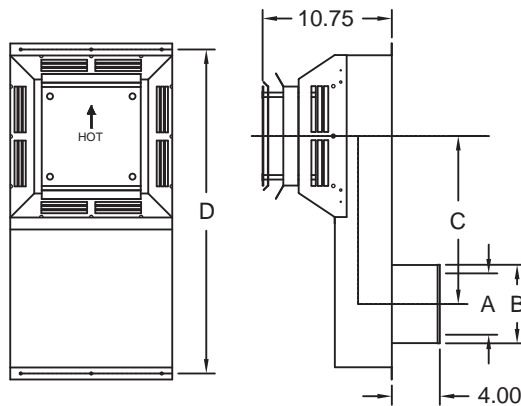
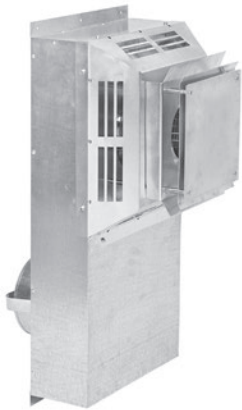
CAT NO.	A	B	C	D
4DHTE	4.00"	6.50"	12.88"	11.00"
5DHTE	5.00"	8.00"	15.00"	13.00"

HORIZONTAL TERMINATION



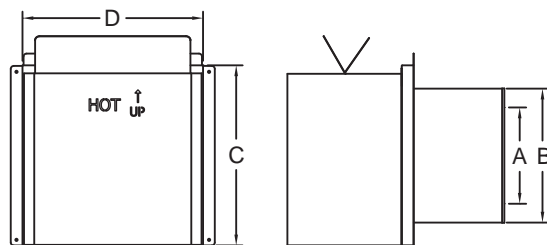
CAT NO.	A	B	C
4DHT	4.00"	6.50"	13.50"
5DHT	5.00"	8.00"	16.00"

SNORKEL TERMINATION



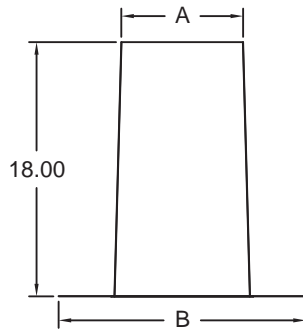
CAT NO.	A	B	C	D
4DST14	4.00"	6.50"	14.00"	27.00"
5DST14	5.00"	8.00"	14.00"	28.25"
4DST36	4.00"	6.50"	36.00"	49.00"
5DST36	5.00"	8.00"	36.00"	50.25"

HORIZONTAL TERMINATION



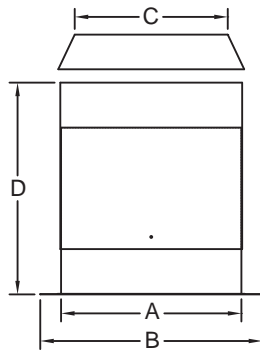
CAT NO.	A	B	C	D
8DVHT	7.94"	11.11"	15.00"	15.00"

INSULATION SHIELD



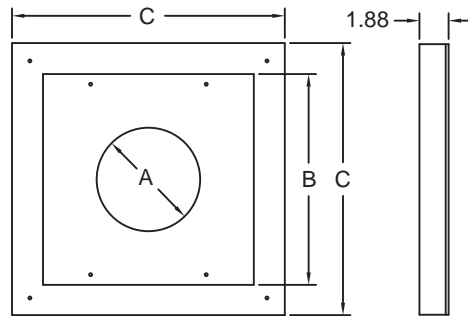
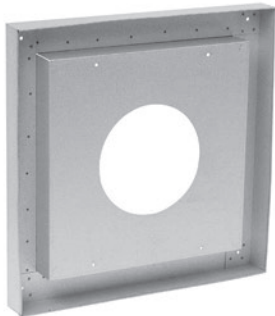
CAT NO.	A	B
4DIS	8.63"	17.00"
5DIS	10.00"	19.00"

INSULATION SHIELD



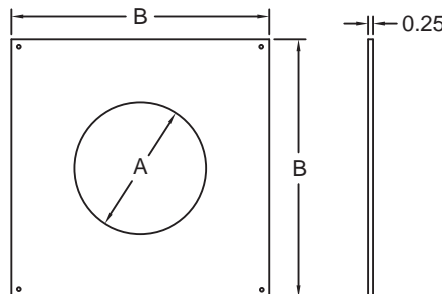
CAT NO.	A	B	C	D
8DVIS	13.00"	16.00"	11.00"	12.00" to 22.00"

VINYL SIDING STAND OFF



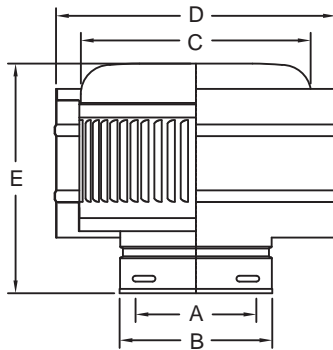
CAT NO.	A	B	C
4DVS	6.75"	13.25"	17.50"
5DVS	8.25"	15.75"	19.88"

DECORATIVE COVER PLATE



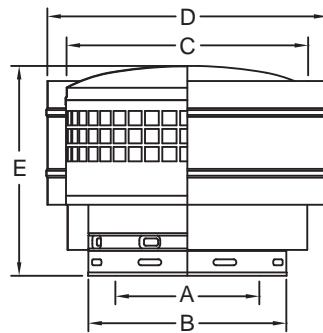
CAT NO.	A	B
4DCP	6.64"	13.00"
5DCP	8.16"	13.00"

VERTICAL TERMINATION



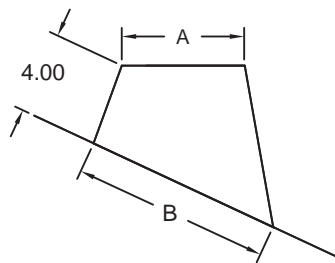
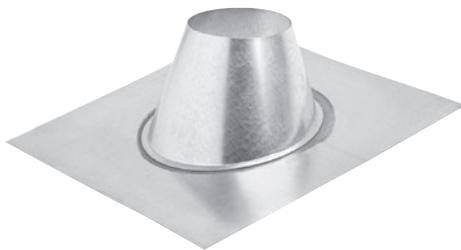
CAT NO.	A	B	C	D	E
4DVT	4.00"	6.50"	10.00"	12.00"	10.00"
5DVT	5.00"	8.00"	12.00"	14.00"	10.00"

VERTICAL TERMINATION



CAT NO.	A	B	C	D	E
8DVVT	8.00"	11.00"	13.50"	15.50"	11.63"

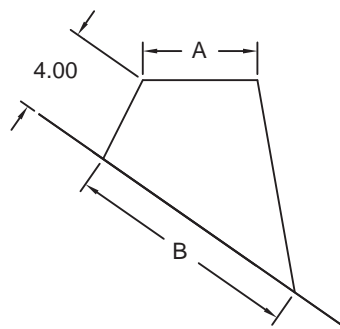
FLASHING



CAT NO.	A	B	PLATE SIZE
4DF	6.75"	9.50"	17.50" x 17.50"
5DF	8.25"	11.00"	19.00" x 19.00"
8DVF	11.18"	14.63"	22.38" x 22.38"

Fits roof pitch from 1/12 to 5/12

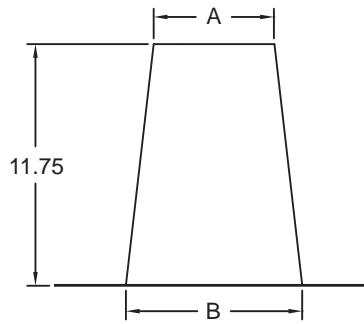
FLASHING



CAT NO.	A	B	PLATE SIZE
4DF-12	6.69"	12.50"	21.00" x 28.00"
5DF-12	8.19"	18.00"	21.00" x 28.00"
8DVF-12	11.25"	22.75"	30.75" x 28.00"

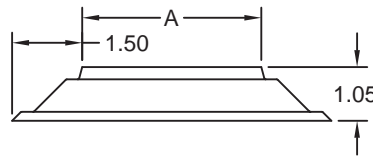
Fits roof pitch from 6/12 to 12/12

TALL CONE FLASHING



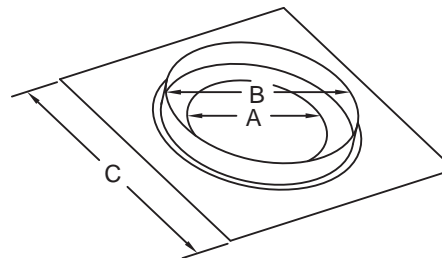
CAT NO.	A	B	PLATE SIZE
4DFT	6.60"	9.50"	17.50" x 17.50"
5DFT	8.10"	11.03"	19.00" x 19.00"

STORM COLLAR



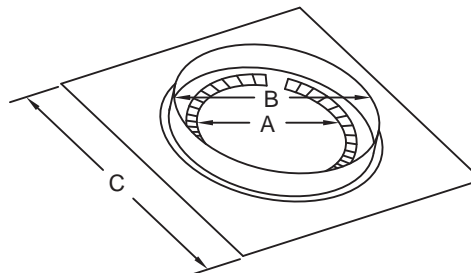
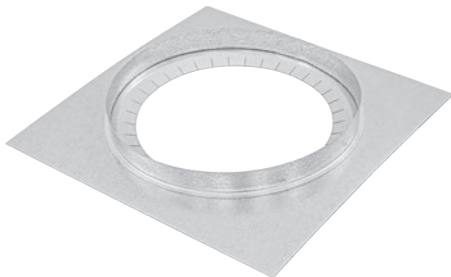
CAT NO.	A
4DSC	6.54"
5DSC	8.03"
8DVSC	11.00"

VERTICAL FIRESTOP



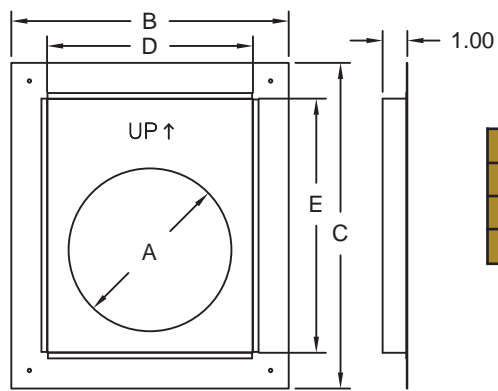
CAT NO.	A	B	C
4DFS	6.56"	8.50"	10.50"
5DFS	8.06"	10.00"	13.00"
8DVFSV	11.13"	13.00"	16.00"

VERTICAL SUREGRIP SUPPORT & FIRESTOP



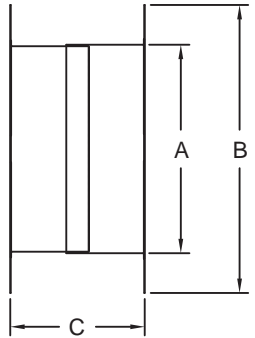
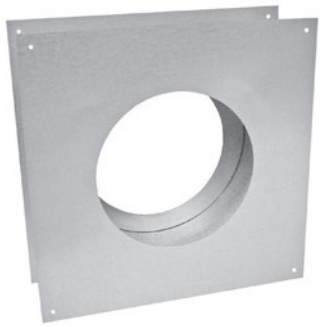
CAT NO.	A	B	C
4DSPFS	6.45"	8.50"	12.00"
5DSPFS	7.98"	10.00"	13.00"

HORIZONTAL FIRESTOP



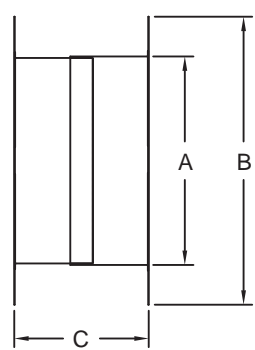
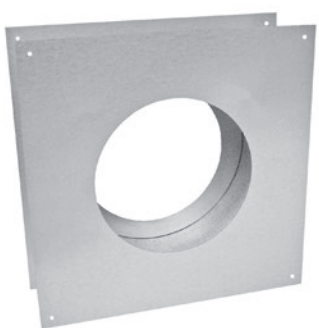
CAT NO.	A	B	C	D	E
4DFSH	6.75"	11.50"	13.50"	8.50"	10.50"
5DFSH	8.25"	13.00"	15.00"	10.00"	12.00"
8DVFSH	11.25"	16.00"	18.00"	13.00"	15.00"

WALL THIMBLE



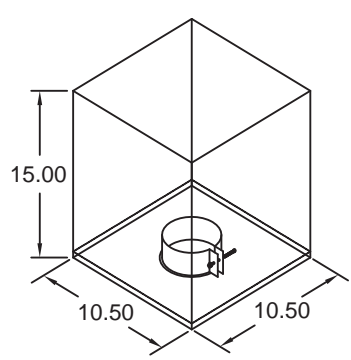
CAT NO.	A	B	C
4DWT	8.69"	12.00"	4.00" x 6.50"
5DWT	10.18"	12.00"	4.00" x 6.50"

WALL THIMBLE



CAT NO.	A	B	C
4DWT11	8.69"	12.00"	6.50" x 9.00"
5DWT11	10.18"	12.00"	6.50" x 9.00"

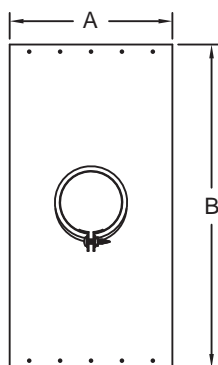
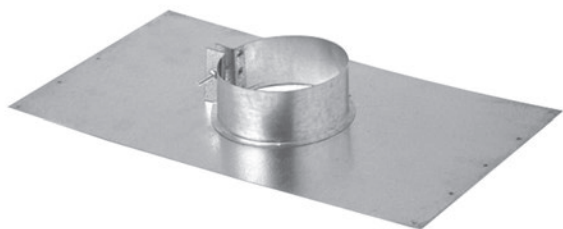
PAINTED ROOF SUPPORT



CAT NO.
4DRS
5DRS

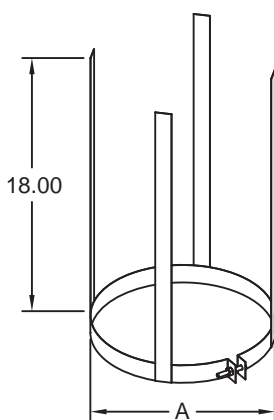
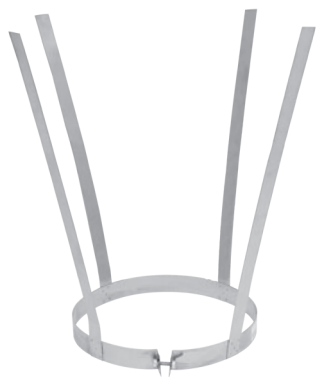
Note: Trim plates and collar included as shown.

SUPPORT PLATE



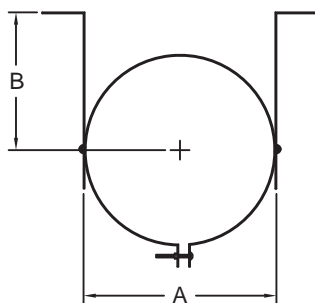
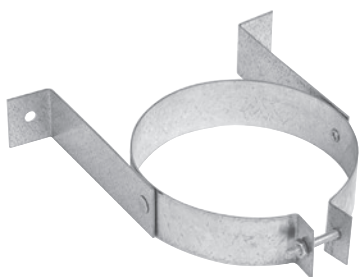
CAT NO.	A	B
4DSP	12.00"	17.00"
5DSP	13.50"	17.00"
8DVSP	16.00"	16.00"

SUPPORT STRAP



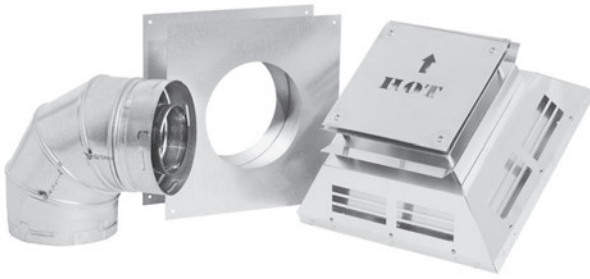
CAT NO.	A
8DVSS	11.00"

WALL SUPPORT



CAT NO.	A	B
4DWS	6.63"	4.88"
5DWS	8.06"	5.53"

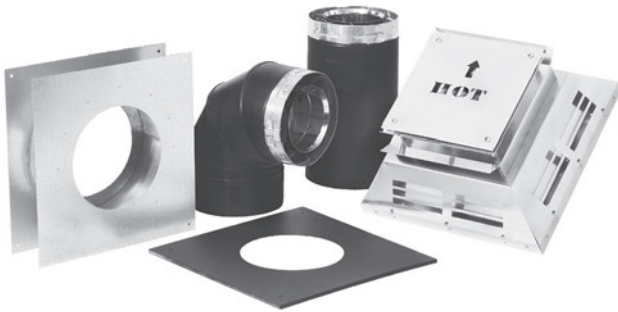
HORIZONTAL INSTALLATION KIT A



CAT NO.
4DHTKA

- 90° Elbow
- Horizontal Termination
- Wall Thimble

HORIZONTAL INSTALLATION KIT B



CAT NO.
4DHTKB

- 24" Straight Length - Black
- 90° Elbow - Black
- Horizontal Termination
- Wall Thimble
- Decorative Cover Plate - Black

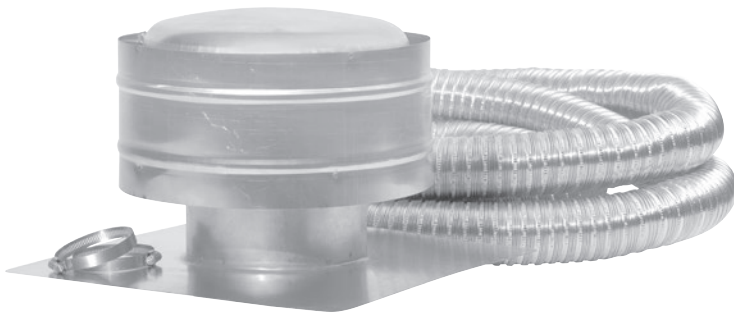
VERTICAL INSTALLATION KIT



CAT NO.
4DVTK

- Vertical Termination
- Storm Collar
- Flashing 1/12 - 5/12

MASONRY CHIMNEY RELINE KIT



CAT NO.

4DVT33FK & 4DVT43FK

- Dual 2-Ply 3" or 4" Flexible Aluminum Liners
- Chimney Flashing - Flat
- Vertical Termination
- 2-Clamp Bands
- 35' Flexible Liner Length

HORIZONTAL SLIP ADAPTER KIT



CAT NO.

4DSLPHTK

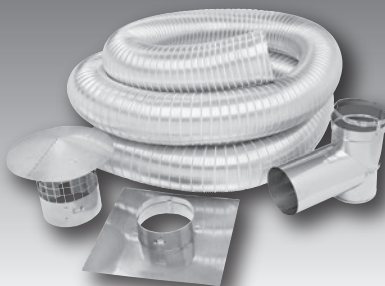
- 6" Straight Length
- Adjustable Length
- Adjustable Slip Connector
- Horizontal Firestop
- Economy Horizontal Termination

TYPE-B GAS VENT



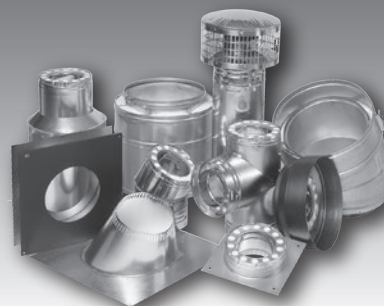
Easiest installation on the market...featuring SureLock™ B-Vent Locking System.

FLEXIBLE CHIMNEY LINERS



Flexible liners, connectors and relining kits.

SOLID FUEL



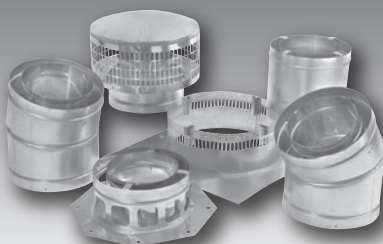
Complete line of Solid Fuel Chimney and Black Pipe.

CORR/GUARD®



Designed for corrosive appliances and exhaust systems.

AIR-COOLED TEMP/GUARD®



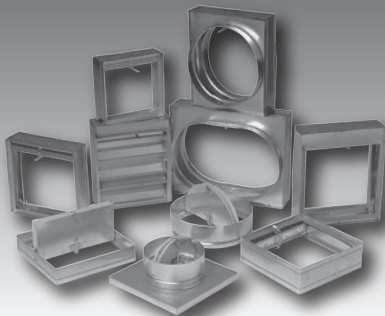
For use with masonry fireplaces which burn wood, oil, coal or gas.

BIOMASS



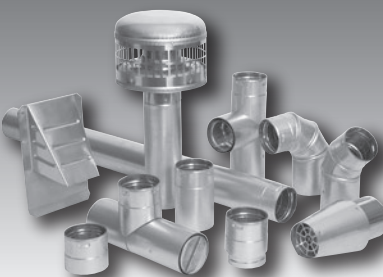
Designed for use with pellet, corn or wheat-fired appliances.

DAMPERS



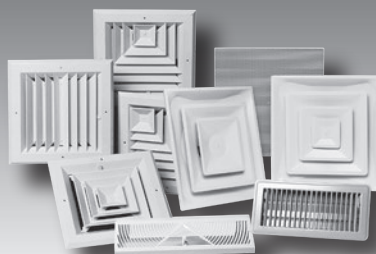
Full line of fire & ceiling radiation dampers. Capacity to fill high volume orders 100%.

PREMIUM BIOMASS



Designed for use with pellet corn or wheat-fired appliances.

GRILLES & REGISTERS



A quality, complete line including 2x2 and extruded aluminum.

