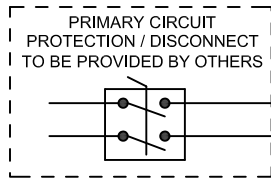


240 VOLT 1Ø 85 AMPS

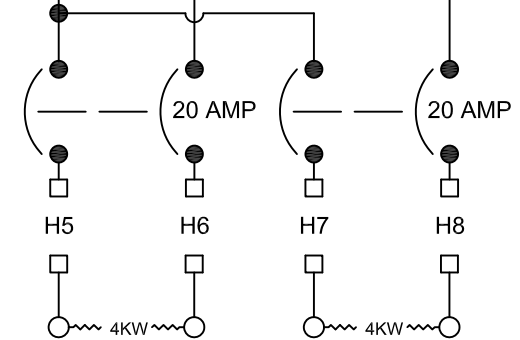
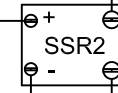
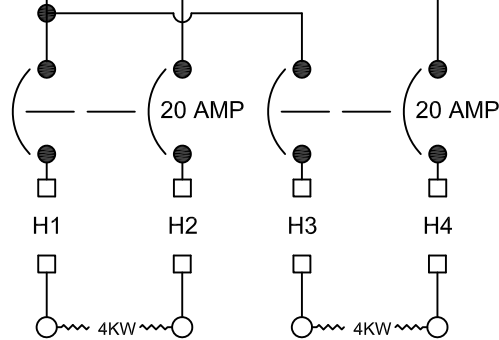
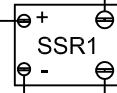
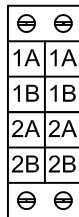


L1
L2

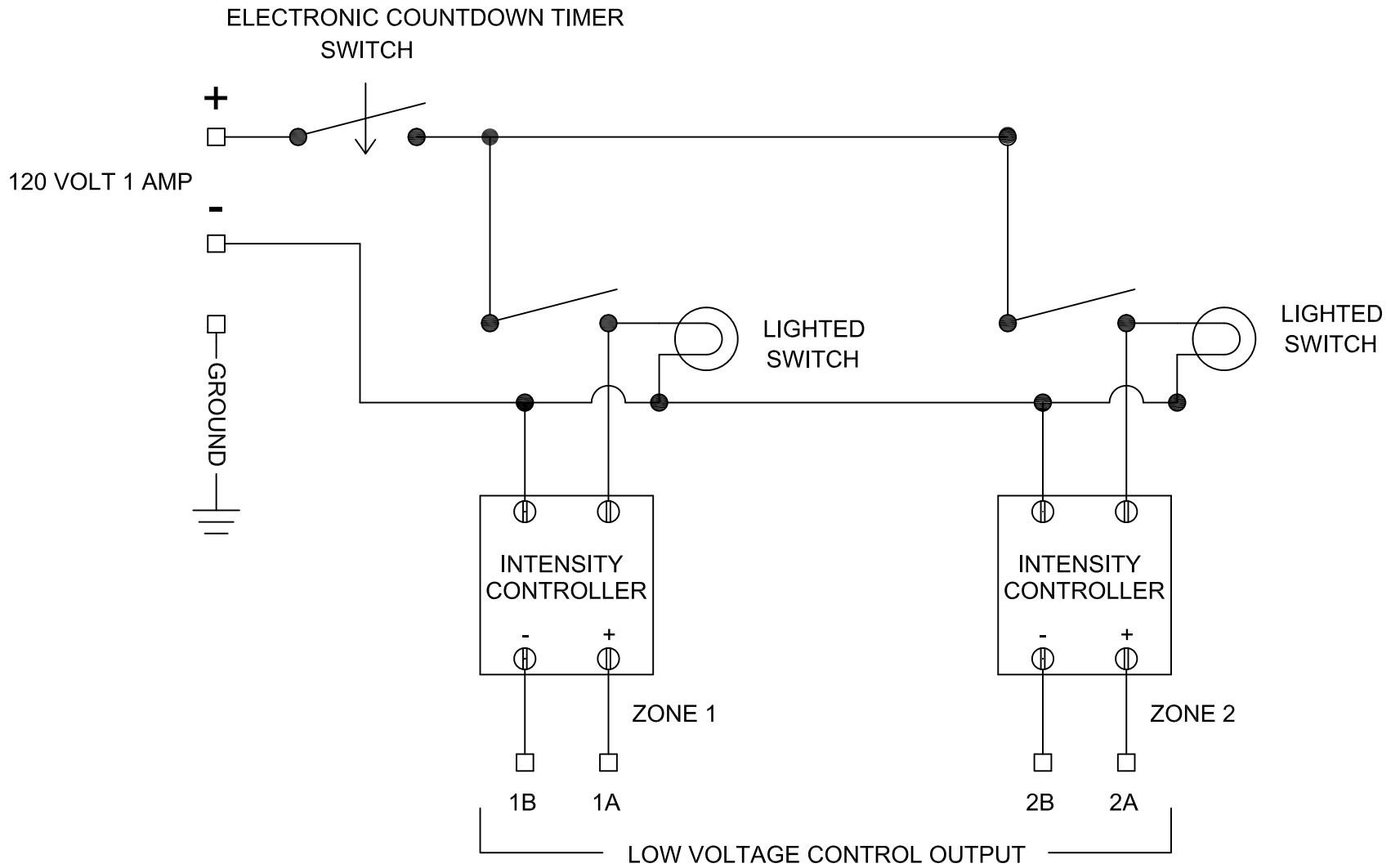
RELAY 1
8 KW MAX

RELAY 2
8 KW MAX

LOW VOLTAGE CONTROL INPUT



INFRA TECH www.infratech-usa.com		15700 S. Figueroa St. Gardena, California 90248 Phone: (310) 354-1250 Fax: (310) 523-3674	
		DESCRIPTION 2 RELAY CONTROL PANEL 240 VOLT SINGLE PHASE 85 AMPS	
CUSTOMER Sample			
DATE	ITEM#	X-30-4052	
	JOB#	UL#	



NOTE: USE TWISTED PAIR OR SHIELDED
WIRE FOR LOW VOLTAGE HOOK-UP.

INFRA TECH www.infratech-usa.com		15700 S. Figueroa St. Gardena, California 90248 Phone: (310) 354-1250 Fax: (310) 523-3674
DESCRIPTION		2 ZONE REMOTE INTENSITY CONTROL UNIT WITH INTERMATIC ELECTRONIC IN-WALL TIMER (15-30-60-120-240 MIN.)
CUSTOMER		Sample
DATE	ITEM#	X-30-4046
	JOB#	