



Model: TM-3

INSTALLATION AND OPERATION INSTRUCTIONS

IF YOU CANNOT READ OR UNDERSTAND THESE INSTALLATION INSTRUCTIONS DO NOT ATTEMPT TO INSTALL OR OPERATE

CALIFORNIA PROPOSITION 65



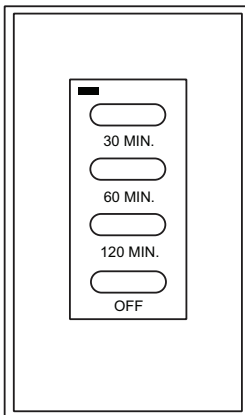
WARNING

This product can expose you to Tetrabromobisphenol-A, which is known to the state of California to cause cancer. (For more information, go to www.p65warnings.ca.gov)

INTRODUCTION

This wired wall timer system was developed to provide safe, reliable, and user-friendly remote control system for gas heating appliances. The timer is intended as a replacement for manual ON/OFF dry contact switches that currently operate millivolt and electronic ignition appliances.

WALL TIMER

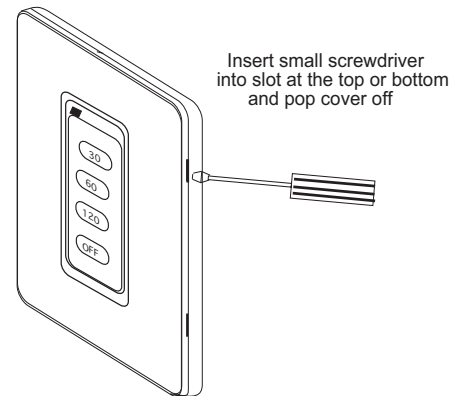


The wall timer operates on (2) 3V button cell batteries (included). Before using the wall timer, install the two (2) 3V button cell batteries. Follow instructions below.

The wall timer has 30 MIN, 60 MIN, 120 MIN, and OFF buttons.

- 30 MIN: Appliance will burn for 30 minutes then turn OFF automatically
- 60 MIN: Appliance will burn for 60 minutes then turn OFF automatically
- 120 MIN: Appliance will burn for 120 minutes then turn OFF automatically
- OFF: Will manually turn appliance burner OFF

When any of the buttons on the wall timer is pressed, an indicator light on the wall timer's face illuminates to verify that a signal has been sent. If the signal light does not illuminate, or becomes dim, check/replace the batteries.

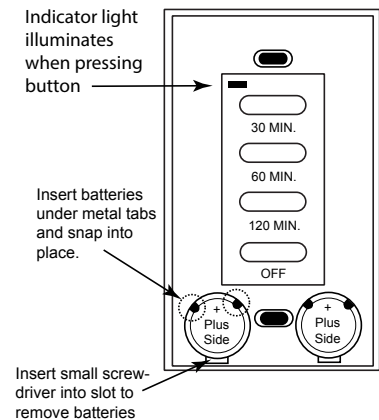


REMOVE FACE PLATE TO INSTALL BATTERIES

1. Remove face from backing plate by inserting a small screwdriver into the small slot at the top or bottom of the faceplate as shown below then snap off.
2. Locate the (2) holders for the 3V button cell batteries.
3. Place the button cell batteries into the battery holders, inserting the top edge of the battery underneath the metal clips, and snap into place. (Make sure that the batteries are installed with the (+) plus side as shown to the right).
4. After the batteries are installed replace the faceplate on the base.

TO REPLACE THE BATTERIES

1. Remove face from backing plate by inserting a small screwdriver into the small slot on the side at the top or bottom of the faceplate as shown to the right then snap OFF.
2. Locate the (2) holders for the 3V button cell batteries.
3. Insert a small screwdriver into the slot at the button cell battery and pop the battery out (Slots shown in picture above).



INSTALLATION INSTRUCTIONS

WARNING

This remote control system must be installed exactly as outlined in these instructions. Read all instructions completely before attempting installation. Follow instructions carefully during installation. Any modifications of this remote control or any of its components will void the warranty and may pose a fire hazard.

Do not connect any gas valve or electronic module directly to 110-120VAC power. Consult gas appliance manufacturer's instructions and wiring schematics for proper placement of all wires. All electronic modules are to be wired to manufacturer's specifications.

The following wiring diagrams are for illustration purpose only. Follow instructions from manufacturer of gas valve and/or electronic module for correct wiring procedures. Improper installation of electric components can cause damage to electronic module, gas valve and remote receiver.

WIRING INSTRUCTIONS

A qualified electrician or a gas technician who is familiar with the gas appliance and gas valves that will be operated by this control should install the remote control system. Incorrect wiring connections WILL cause damage to the gas valve or electronic module operating the gas appliance and may also damage the control.

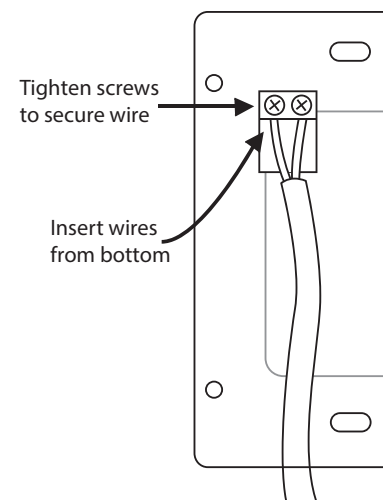
Removal of Existing Wall Switch

- Locate the manual ON/OFF wall switch that controls the gas appliance.
- Remove the screws holding the cover plate over the existing switch to expose the switch.
- Remove the screws that secure the existing switch to the junction box.
- Gently pull the existing switch out of the junction box.
- Disconnect the two wires from the existing switch.

Connecting the TM-3 Wall Switch

NOTE: Strip all wires to be connected to the wall timer to a length of 0.25". Too much exposed wire can result in a short circuit that could cause the appliance burner to turn ON accidentally.

- Insert the two wires originally connected to the manual ON/OFF switch into the block terminals on the back of the wall timer. The wires must be inserted from the bottom of the block terminal. The orientation of the wires does not matter.
- Tighten the screw on the back of the terminal block with a small screwdriver to secure the wires in the terminal block.
- Gently pull on the wires to ensure they are secure in the terminal block.



SYSTEM CHECK

Millivolt Valves

Light the gas appliance's pilot flame following the lighting instructions that came with the appliance. Confirm that the pilot flame is on; it must be in operation for the main gas valve to operate.

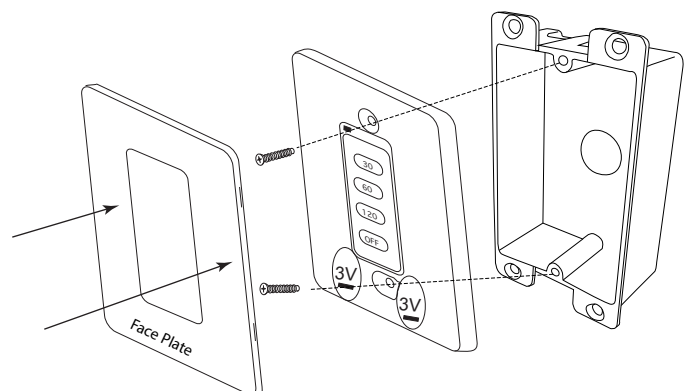
- Press either the 30 MIN, 60 MIN, or 120 MIN buttons. The main gas flame (i.e., the fire) should ignite.
- Press the OFF button. The flame should extinguish (the pilot flame will remain on).

Electronic Ignition Systems

- Press either the 30 MIN, 60 MIN, or 120 MIN buttons. The spark electrode should begin sparking to ignite the pilot. After the pilot flame is lit, the main gas valve should open and the main gas flame should ignite.
- Press the OFF button. The main gas flame and pilot flame should BOTH extinguish.

MOUNTING THE WALL TIMER

1. Remove face from backing plate by inserting a small screwdriver into the small slot at the top or bottom of the faceplate then snap OFF.
2. Locate the (2) two mounting slots which align with the mounting holes in a standard single-gang junction box.
3. Use the (2) two mounting screws (supplied) to mount the base plate to the junction box in the wall as shown.
4. Snap the cover plate in-place over the face of the wall timer.



NOTE: This product is designed for use with an attended hearth appliance or fire feature. Adults must be present when the Control System is operating. DO NOT program or thermostatically set this Control to operate a hearth appliance or fire feature when Adults are not physically present. Furthermore, DO NOT leave the hearth appliance or fire feature burning unattended; it may cause damage or serious injury. If an Adult is going to be away from the hearth appliance or fire feature for any length of time, then the handheld/wall mount, receiver/control module and application should be in the "OFF" position.

BATTERY LIFE

Life expectancy of the alkaline batteries in the wall timer should be at least 12 months. Check and replace all batteries annually. When the indicator light on the face of the wall timer becomes dim or does not light when a button is pressed, or if the wall timer does not function at all, the batteries should be checked. The Wall Transmitter should operate with as little as 2.4 volts of battery power, measuring each of the 3-volt button cell batteries individually. The length of the wire between the remote receiver and gas valve directly affects the operating performance of the remote system. The longer the wire, the more battery power is required to deliver signals between the remote receiver and the gas valve. Recommended length is no longer than 30 feet.

TROUBLE SHOOTING

If you encounter problems with your fireplace system, the problem may be with the fireplace itself or it could be with the Wall timer. Review the fireplace manufacturer's operation manual to make sure all connections are properly made. Then check the operation of the wall timer in the following manner:

- Make sure the batteries are correctly installed. One reversed battery will keep control from operating properly.
- Check if the batteries are fully charged. Replace the batteries if they measure less than 2.4 volts (each battery individually).
- Make sure the wires connected to back of the wall timer have not come loose and are firmly connected.
- Make sure the wires connected to the back of the wall timer are not touching each other or another bare metal surface, this will cause the appliance to turn ON. The wires should be stripped to a length of 0.25" to prevent this condition.

SPECIFICATIONS

BATTERIES: Two 3V Button Cell Batteries (CR-2032)

OUTPUT: Dry-Contact for up to 800mV DC or 24VAC

FCC REQUIREMENTS

NOTE: THE MANUFACTURER IS NOT RESPONSIBLE FOR ANY RADIO OR TV INTERFERENCE CAUSED BY UNAUTHORIZED MODIFICATIONS TO THE EQUIPMENT. SUCH MODIFICATIONS COULD VOID USER'S AUTHORITY TO OPERATE THE EQUIPMENT

Skytech Products Group
9230 Conservation Way
Fort Wayne, IN 46809

MANUFACTURED EXCLUSIVELY FOR SKYTECH II, INC

