



MODEL: LPK-18/24
Propane Conversion Kit for
AFVK-SP, AFVK & AF-LMF Series Gas Valve Kits

INSTALLATION INSTRUCTION

IF YOU CANNOT READ OR UNDERSTAND THESE INSTALLATION INSTRUCTIONS DO NOT ATTEMPT TO INSTALL OR OPERATE



Notice: Please leave these instructions for the consumer and retain for future reference

Warning: Improper installation, adjustment, alteration, service or maintenance can cause injury or property damage. Refer to this manual. For assistance or additional information consult a qualified installer, service agency or the gas supplier

Important: Read these instructions carefully before starting installation of your log set.

FOR YOUR SAFETY
 Do not store or use gasoline or other flammable vapors and liquids in the vicinity of this or any other appliance.

FOR YOUR SAFETY
WHAT TO DO IF YOU SMELL GAS
 Do not try to light the appliance.
 Do not touch any electrical switch.
 Do not use any phone in your building.
 Immediately call you gas supplier from a neighbor's phone. Follow the gas suppliers instructions.
 If you cannot reach your gas supplier, call the fire department.

Be sure the flue damper is fully open when operating any vented gas log set.

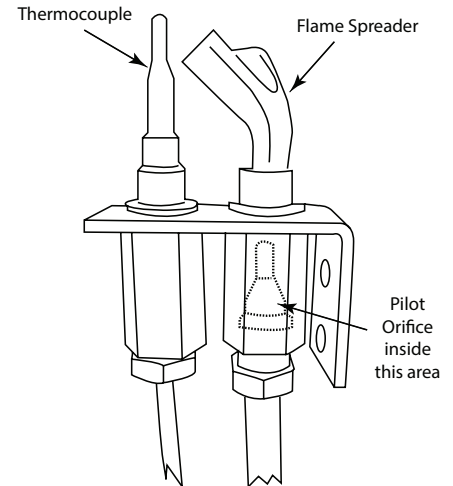
Young Children should be carefully supervised when they are in same room as the appliance.

Conversion Precautions:

These instructions must be used as a supplement to the instructions supplied with the gas valve kit. Follow the gas valve kit instructions and log set instructions supplied by the manufacturers on the set up of the gas valve kit, burner pan, log basket grate, burner media, ember material and the logs placement. Please follow these instructions on the conversion of the burner pan and pilot assembly from natural gas to propane gas.

If this fireplace installation has glass doors, **only operate the gas logs with glass doors in the fully open position.**

Note: This kit comes with two pilot orifices. American Flame uses two different types of pilot assemblies. One type has the number stamped on top of the orifice and the other type has the number stamped on the side of the orifice. If you remove a Natural gas orifice with (#20) stamped on top then ensure you replace it with (#13) stamped on top. If you remove an orifice with (#.018N) stamped on the side then ensure you replace it with (#.012LP) stamped on the side.



Conversion Instructions:

This section is for the conversion from Natural to Propane on a pre-installed log set with the AFVK-SP, AFVK & AF-LMF Series Gas Valve Kits

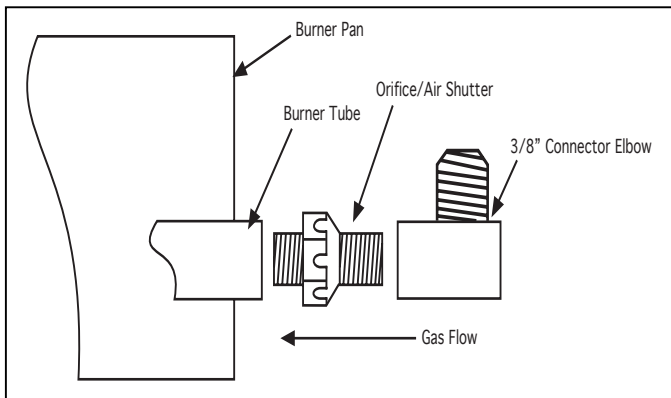
1. Make sure all gas flow is completely turned off to the gas log set. Make sure you have a certified and approved shut-off within 6-feet of the fireplace, or whatever the local inspection authority requires.
2. Remove all logs and basket grate and set aside.
Note: it is recommended to place the logs on a protective drop cloth to prevent getting soot on the household carpet.
3. Remove the sand from burner pan and discard; use vermiculite to replace the sand since this kit is for LP gas. **NOTE:** If vermiculite does not completely cover the pan, then order another bag.
4. Remove gas line from the valve to the burner pan, then remove the fitting and natural gas orifice on the burner pan.
5. Install to the burner pan the **Orifice/Air Shutter and Connector Elbow** supplied with LPK-18/24 Conversion kit (**See Figure #1 & Figure #2**) Connect the gas line from the valve to the connector elbow.
6. Remove the aluminum pilot tubing at the pilot assembly (13mm line wrench at brass fitting).
7. Remove Natural gas pilot orifice from pilot assembly, then install either Propane (LP) pilot orifice (#13) or (#0.12LP) supplied with this valve kit, as noted in the precautions and reconnect 1/4" or 1/8" pilot tubing to pilot assembly. (**Use caution when working with the pilot tubing not to kink the tubing or locate the tubing in or over the burner pan**).
8. Turn on gas supply and check all connections for leaks using soapy water solution.
9. Install the media (vermiculite) supplied with the LPK-18/24 into the burner pan covering the burner tube and level with the top of the pan.
10. Follow valve pilot lighting instructions. After pilot is lit check pilot fittings for leaks.
11. Reinstall basket grate and logs.

NOTE: Follow the conversion procedure on the AFVK-SP, AFVK-SP-H/L, & AFVK-SP-MH/L installation instructions to convert the AF-4000 gas control valve from NATURAL gas to PROPANE gas this will set the internal pressure regulator to the proper pressure.

This section is for conversion from natural to propane on a new log set with the AFVK-SP, AFVK & AF-LMF Series Gas Valve Kits

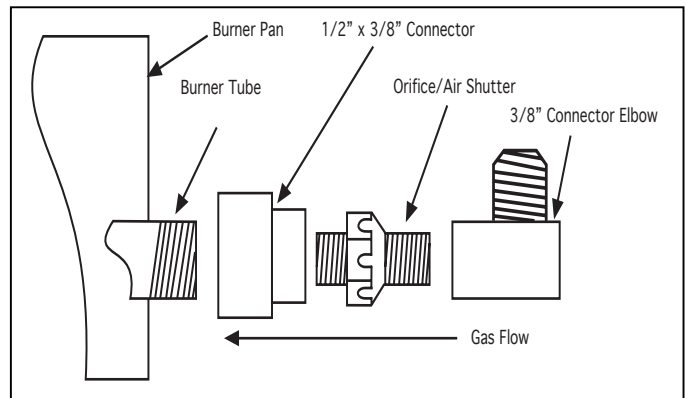
1. Make sure all gas flow is completely turned off to the fireplace. Make sure you have a certified and approved shut-off within six feet of the fireplace, or whatever the local inspection authority requires.
 2. Follow the instructions supplied with the valve kit and the log set manufacturers on setting of the valve assembly and the log set.
 3. Install to the burner pan the **Orifice/Air Shutter and Connector Elbow** supplied with LPK-18/24 Conversion kit (**See Figure #1 & Figure #2**) Connect the gas line from the valve to the connector elbow.
 4. Remove the pilot tubing at the pilot assembly (13mm line wrench at brass fitting).
 5. Remove natural gas pilot orifice from pilot assembly, then install either Propane (LP) pilot orifice (#13) or (#0.12LP) supplied with this valve kit, as noted in the precautions and reconnect 1/4" or 1/8" pilot tubing to pilot assembly. (**Use caution when working with the pilot tubing not to kink the tubing or locate the tubing in or over the burner pan**).
 6. Turn on gas supply and check all connections for leaks using soapy water solution.
 7. Install the media (vermiculite) supplied with the LPK-18/24 into the burner pan covering the burner tube and level with the top of the pan.
 8. Follow the instructions supplied with the log set to install burner media, ember material, basket grate and logs.
- NOTE: On all PROPANE installations it is recommended that an inlet pressure regulator be used. (Not included with this kit)**

(Figure #1)



Above (Figure #1) shows burner pan with 3/8" NPT female connection

(Figure #2)

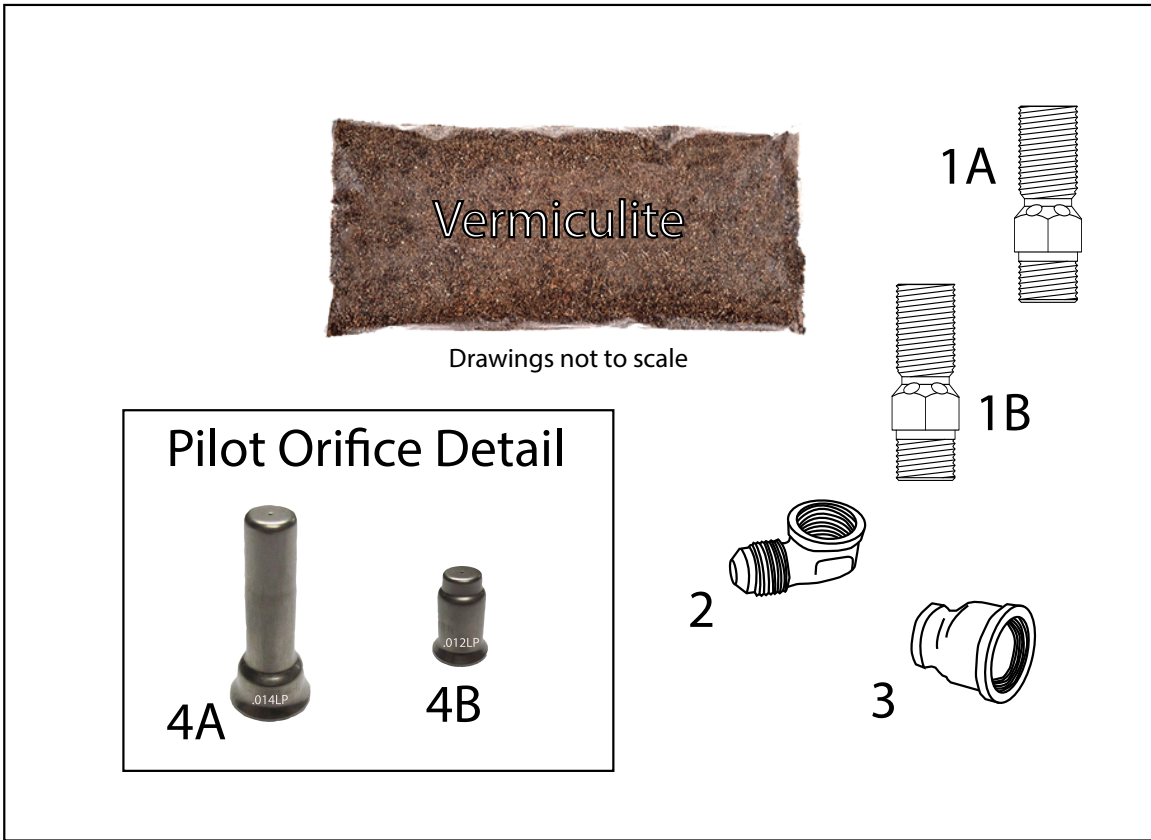


Above (Figure #2) shows burner pan with 1/2" NPT male connection. This requires the use of the 1/2"X3/8" connector.

FOR YOUR SAFETY READ BEFORE LIGHTING

WARNING: IF YOU DO NOT FOLLOW THESE INSTRUCTIONS EXACTLY, A FIRE OR EXPLOSION MAY RESULT CAUSING PROPERTY DAMAGE, PERSONAL INJURY OR LOSS OF LIFE.

1. This product is intended to be used with American Flame, Inc. AFVK-SP, AFVK & AF-LMF Series Valve Kits.
2. Follow the operating instructions listed with the valve kit.



LPK 18/24 PARTS LIST

Item Number	Description	Part Number
1(A)	(18) #50 Orifice/Air Shutter	6857-14
1(B)	(24) #42 Orifice/Air Shutter	6857-15
2	Connector elbow (90° Flare)	6857-12
3	1/2" x 3/8" Cast iron reducer	6857-13
4A	Propane pilot orifice	PSE707
4B	Propane pilot orifice	238577-22(P)
5	Vermiculite	6857-16

Limited Warranty

American Flame warrants the LPK-18/24 Conversion Kit for 12 months from the date of purchase or installation to the original purchaser to be free from defects in materials and workmanship. Damage to the LPK-18/24 Conversion Kit caused by accident, misuse, abuse, or installation error, whether preformed by a contractor, Service Company, or owner, is not covered by this warranty. American Flame will not be responsible for labor charges and/or damage incurred in installation, repair, replacement, or for incidental or consequential damage. Some states, provinces, and nations do not allow exclusion or limitations of incidental or consequential damages, so the above limitations or exclusions may not apply. This warranty gives you specific legal rights. You may also have other rights that vary by state, province, or nation

American Flame, Inc. 9230 Conservation Way Fort Wayne, IN 46809