

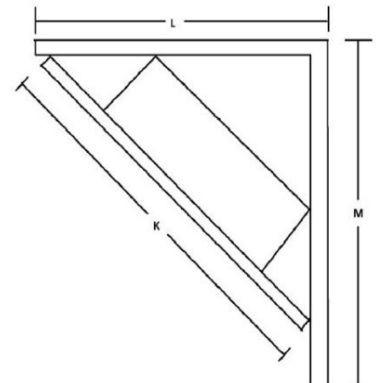
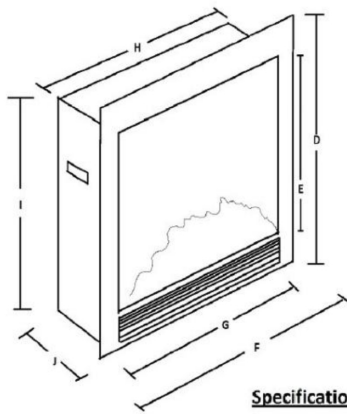
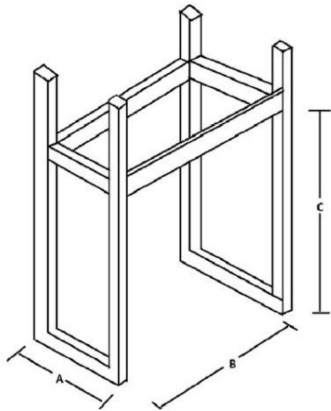
Dynasty Fireplaces

SD - 30 Electric Fireplace Insert



Product and Framing Dimensions

Framing/Cabinet			Firebox Dimension								Corner Framing/Cabinet		
A	B	C	D	E	F	G	H	I	J	L	K	M	
9.75"	30.5"	20.5"	With 38" Trim 26"	14.75"	37.75"	29.5"	29.5"	19.5"	8.75"	26"	37.75"	26"	



Features:

- *Remote control for adjustable flame and heating operation
- *Electric flame operates with or without heat
- *No ventilation required
- *Zero clearance allows for flush mounting to drywall, tile wood or other finishes
- *Installed into interior wall, exterior walls, or corner
- *Energy Saving product
- *Also designed for replacing wood burning fireplace

Specifications:

Electrical:

Volts	Amps	Watts	Wiring	Approval
110/120	15	1,500	3-prong plug kit	

Heat Output

BTUs	Heating Area	Control Operation
5,200	400 sq.ft	Remote Control

Operating Cost (Approximately)

Frame operation only	2,500 BTUs	5,200BTUs
0.25cents / hour	7cents / hour	14cents / hour

Other Information

Weight	Front Face	Fuel Bed	Cabinet Options	Warranty
44 LBS	Glass	Wood Logs	Stone Mantel	Manufacturer's 2 year