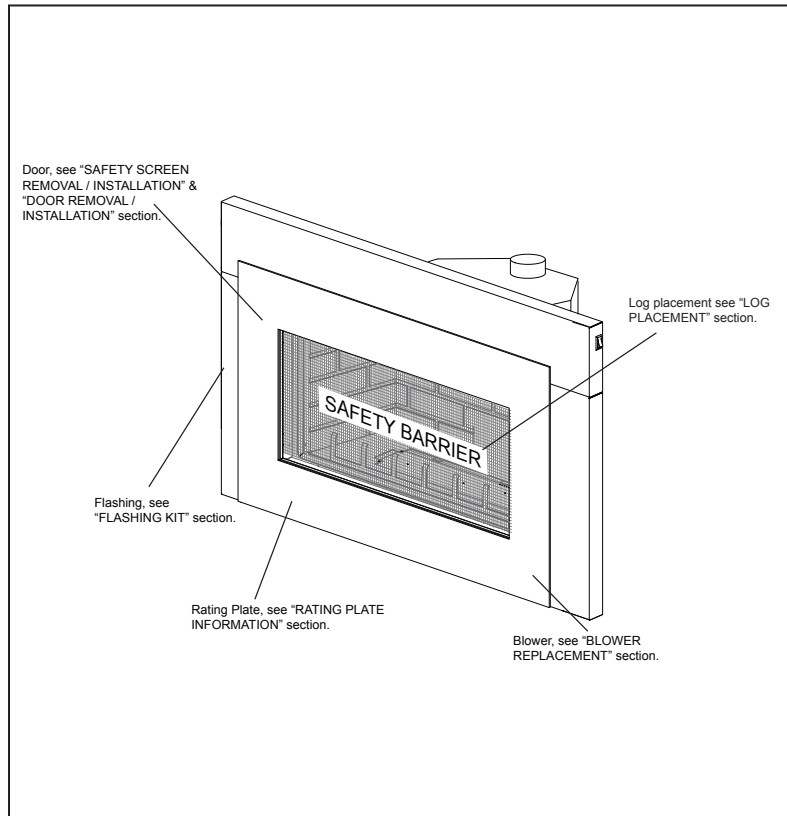


# ROXBURY™ 3600 GAS INSERT

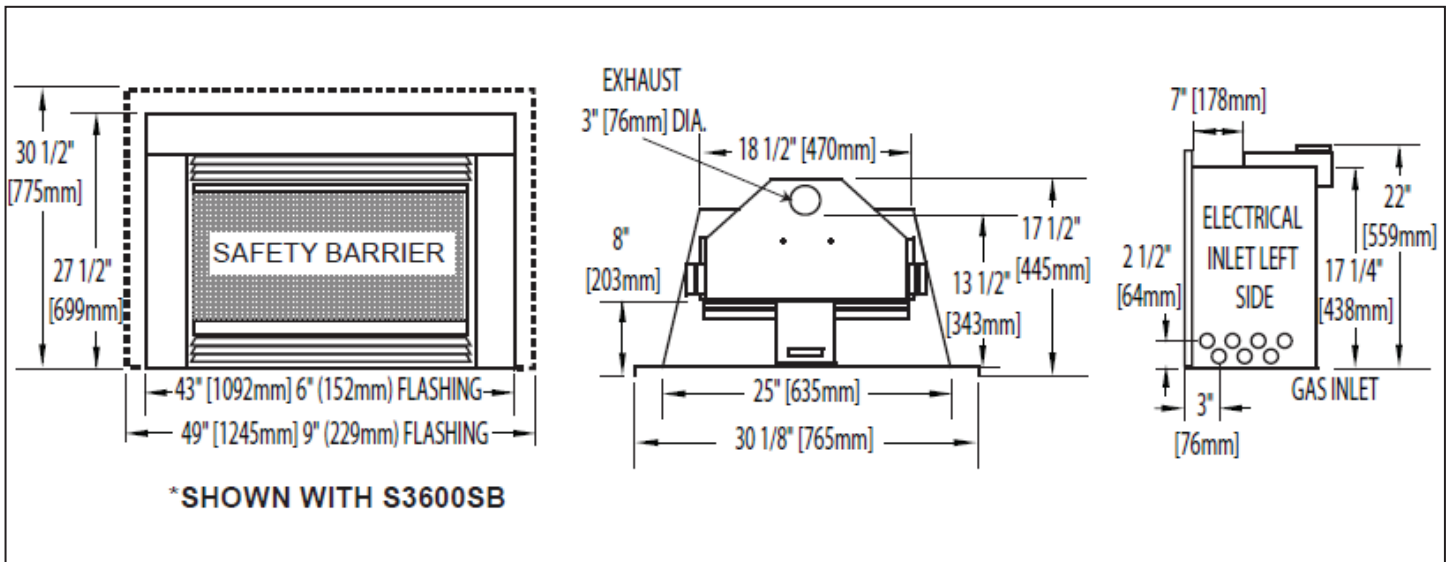
## Specifications

Model	BTU	Width		Height		Depth		Glass
		Minimum	Actual	Minimum	Actual	Minimum	Actual	
GI3600	24,000	25 1/2"	49"	17 1/2"	30 1/2"	16 1/2"	17 1/2"	11 3/4" X 29 3/4"

## Overview



## Dimensions



# ROXBURY™ 3600 GAS INSERT

## Framing & Clearances

### Minimum Fireplace Clearances

This appliance must be recessed into a vented noncombustible wood-burning appliance (prefabricated or masonry) only. The minimum appliance opening size in which the appliance is to be installed is:

**HEIGHT 17 1/2" (445mm) WIDTH 25 1/2" (648mm) DEPTH 16 1/2" (419mm)**

The minimum distance, from the bottom of a combustible mantle projecting 6" (152mm) maximum from the wall to the top of the louvre opening, is 8" (203mm).

### General Information

RATES AND EFFICIENCIES		
	NG	LP
Max. Input (BTU/HR)	24,000	22,000
Max. Output (BTU/HR)	15,900	16,000
Min. Inlet Gas Supply Pressure	4.5" (11mb) Water Column	11" (27mb) Water Column
Max. Inlet Gas Supply Pressure	7" (17mb) Water Column	13" (34mb) Water Column
Manifold Pressure (Under Flow Conditions)	3.5" (9mb) Water Column	10" (25mb) Water Column

No external electricity (110 volts or 24 volts) is required for the gas system operation.

Under extreme vent configurations, allow several minutes (5-15) for the flame to stabilize after ignition.

Altitudes greater than 4000ft. (1219m) require a minimum vent run of 12ft (4m).

When the appliance is installed at elevations above 4,500ft (1372m), and in the absence of specific recommendations from the local authority having jurisdiction, the certified high altitude input rating shall be reduced at the rate of 4% for each additional 1,000ft (305m).

Expansion / contraction noises during heating up and cooling down cycles are normal and to be expected.

This appliance is not approved for closet or recessed installations. It is approved for bathroom, bedroom and bed-sitting room installations.

A barrier designed to reduce the risk of burns from the hot viewing glass is provided with the appliance and shall be installed.

### Log Set up

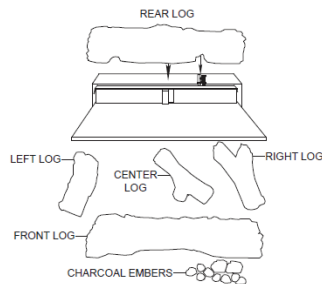
PHAZER™ logs and glowing embers exclusive to Napoleon appliances, provide a unique and realistic glowing effect that is different in every installation. Take the time to carefully position the glowing embers for a maximum glowing effect.

Log colours may vary. During the initial use of the appliance, the colours will become more uniform as colour pigments burn in during the heat activated curing process.

- Place the front log onto the main burner, pushing it as close as possible to the burner ports without blocking/covering them. The left and right spacing between the log ends and the burner ports should be equal.

YOU MAY FIND IT EASIER TO PLACE SOME CHARCOAL EMBERS BENEATH THE FRONT LOG NOW.

- Place the back log onto the step located at the back of the combustion chamber. The notch situated at the lower right of the back log should be centered evenly above the pilot assembly.
- While supporting the back log, to prevent it from falling forward, set the three smaller logs into the pockets and grooves of the front and back logs, respectively.
- To remove the logs reverse these instructions.



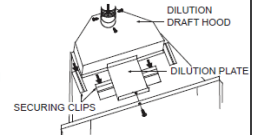
Product information provided is not complete and is subject to change without notice. Please consult the installation manual for the most up to date installation information.

### Chimney Connection

Chimney installation must conform to both national and local code requirements. The chimney must be lined with a 3" (76mm) or 4" (102mm) diameter approved liner. The minimum vent length is 10 feet (3m).

The liner must be continuous from the appliance to the chimney cap.

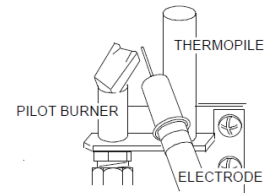
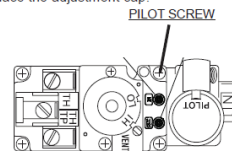
Remove the securing screw from the front of the dilution plate. Push the dilution draft hood out of the securing clips and attach the liner using 3 screws equally spaced. Pack insulation around the liner at the damper area to prevent air flow from entering the chimney. Move the insert into the centre of the woodburning appliance making sure that the dilution draft hood inserts back into its securing clips. Replace the securing screw to the front of the dilution plate.



### Adjustments

#### PILOT BURNER ADJUSTMENT

- Remove the pilot adjustment cap.
- Adjust the pilot screw to provide properly sized flame.
- Replace the adjustment cap.

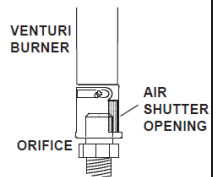


#### VENTURI ADJUSTMENT

This appliance has an air shutter that has been factory set open according to the chart below:

Regardless of venturi orientation, closing the air shutter will cause a more yellow flame, but can lead to carboning. Opening the air shutter will cause a more blue flame, but can cause flame lifting from the burner ports. The flame may not appear yellow immediately; allow 15 to 30 minutes for the final flame colour to be established.

AIR SHUTTER ADJUSTMENT MUST ONLY BE DONE BY A QUALIFIED INSTALLER!



VENTURI ADJUSTMENT CHART	
FUEL	G13600
NG	1/16 (2mm)
LP	3/8 (10mm)

### Combustible Mantel Clearances

