



EXPLODED VIEWS & REPLACEMENT PARTS LIST

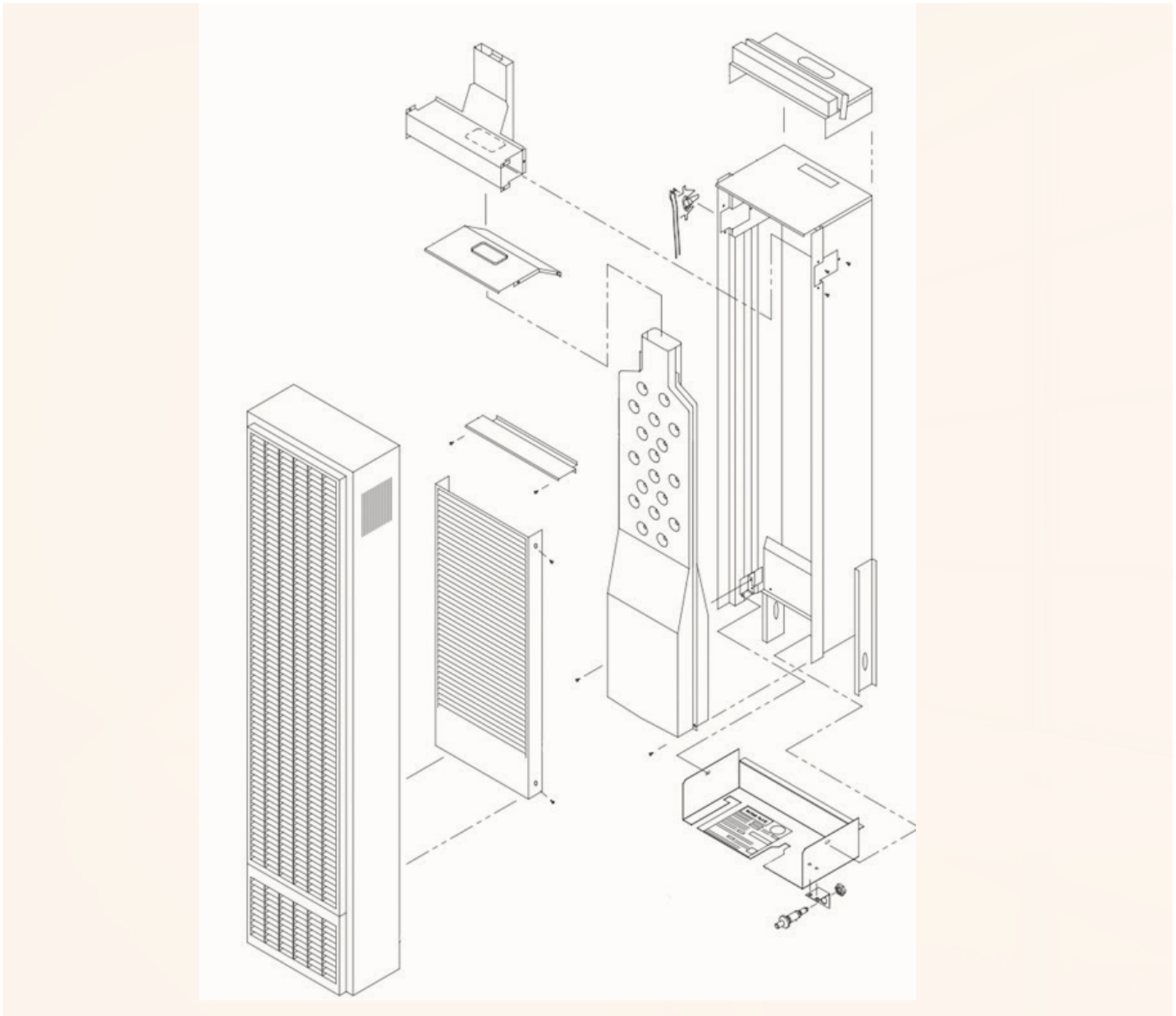


TABLE OF CONTENTS

AC2030T TOP VENT GAS WALL HEATER	4
PART NUMBERS FOR THE AC2030 MODELS	4
MOTORIZED REAR OUTLET REPLACEMENT PARTS	6
PART NUMBERS FOR THE AC3040 MODELS	8
MONTEREY TOP VENT FURNACE	10
PART NUMBERS FOR THE 250 / 350 MODELS	10
CONTROL ASSEMBLY REPLACEMENT PARTS 250 / 350 MODELS	12
PART NUMBERS FOR THE 500 MODELS	14
CONTROL ASSEMBLY REPLACEMENT PARTS FOR 500 MODELS	16
BLOWER ACCESSORY MODEL 2901 PARTS	17
BLOWER ACCESSORY MODEL 2907 PARTS	18
MOTORIZED REAR OUTLET REPLACEMENT PARTS	19
MONTEREY PLUS + TOP VENT FURNACE	20
PART NUMBERS FOR THE 250 / 350 MODELS	20
CONTROL ASSEMBLY REPLACEMENT PARTS 250 / 350 MODELS	22
PART NUMBERS FOR THE 500 MODELS	24
CONTROL ASSEMBLY REPLACEMENT PARTS FOR 500 MODELS	26
BLOWER ACCESSORY MODEL 2901 PARTS	27
BLOWER ACCESSORY MODEL 2907 PARTS	28
MOTORIZED REAR OUTLET REPLACEMENT PARTS	29
FORSAIRE™ COUNTERFLOW TOP VENT FURNACE	30
PART NUMBERS FOR THE 350 MODEL	30
CONTROL ASSEMBLY REPLACEMENT PARTS FOR 350 MODEL - INTERMITTENT IGNITION	32
CONTROL ASSEMBLY REPLACEMENT PARTS FOR 350 MODEL - STANDARD PILOT	33
PART NUMBER FOR THE 500 / 650 MODELS	34
CONTROL ASSEMBLY REPLACEMENT PARTS FOR THE 500 / 650 MODELS - INTERMITTENT IGNITION	36
CONTROL ASSEMBLY REPLACEMENT PARTS FOR THE 500 / 650 MODELS - STANDARD PILOT	37
FORSAIRE™ COUNTERFLOW DIRECT VENT FURNACE	38
FURNACE ASSEMBLY REPLACEMENT PARTS 400 MODELS	38
CONTROL ASSEMBLY REPLACEMENT PARTS 400 MODELS - INTERMITTENT IGNITION	40
CONTROL ASSEMBLY REPLACEMENT PARTS 400 MODELS - STANDARD PILOT	41
FURNACE ASSEMBLY REPLACEMENT PARTS 550 MODELS	43

CONTROL ASSEMBLY REPLACEMENT PARTS 550 MODELS	44
FURNACE ASSEMBLY REPLACEMENT PARTS 600 MODELS	46
CONTROL ASSEMBLY REPLACEMENT PARTS 600 MODELS	48
MAGNUM FORSAIRE™ COUNTERFLOW TOP VENT FURNACE	50
FURNACE ASSEMBLY REPLACEMENT PARTS 600 MODLES	50
CONTROL ASSEMBLY REPLACEMENT PARTS 600 MODELS	53
ELECTRIC FORSAIRE™ COUNTERFLOW FURNACE	54
FURNACE ASSEMBLY REPLACEMENT PARTS 300 MODLES	54
DIRECT VENT GRAVITY FURNACES	56
FURNACE ASSEMBLY REPLACEMENT PARTS 140 MODLES	56
CONTROL ASSEMBLY REPLACEMENT PARTS 140 MODELS	57
BLOWER ACCESSORY REPLACEMENT 2303 KIT FOR MODEL 1403822 / 14H3822	58
FURNACE ASSEMBLY REPLACEMENT PARTS 220 / 300 MODLES	60
CONTROL ASSEMBLY REPLACEMENT PARTS 220 / 300 MODELS	61
BLOWER ACCESSORY REPLACEMENT 2302 KIT FOR MODELS 2203822 / 22H3822 / 3003822	63
HIGH EFFICIENCY DIRECT VENT GRAVITY FURNACE	64
FURNACE ASSEMBLY REPLACEMENT PARTS 177 MODLES	64
FURNACE ASSEMBLY REPLACEMENT PARTS 074 MODLES	66
ROOM HEATERS	68
FURNACE ASSEMBLY REPLACEMENT PARTS 200 MODLES	68
FURNACE ASSEMBLY REPLACEMENT PARTS 350 / 500 / 650 MODLES	70
FURNACE ASSEMBLY REPLACEMENT PARTS 350 / 500 / 650 MODLES - FIREPLACE FRONT	72
FLOOR FURNACE	74
FURNACE ASSEMBLY REPLACEMENT PARTS 450 / 600 MODLES	74

AC2030T TOP VENT GAS WALL HEATER

PART NUMBERS FOR THE AC2030 MODELS

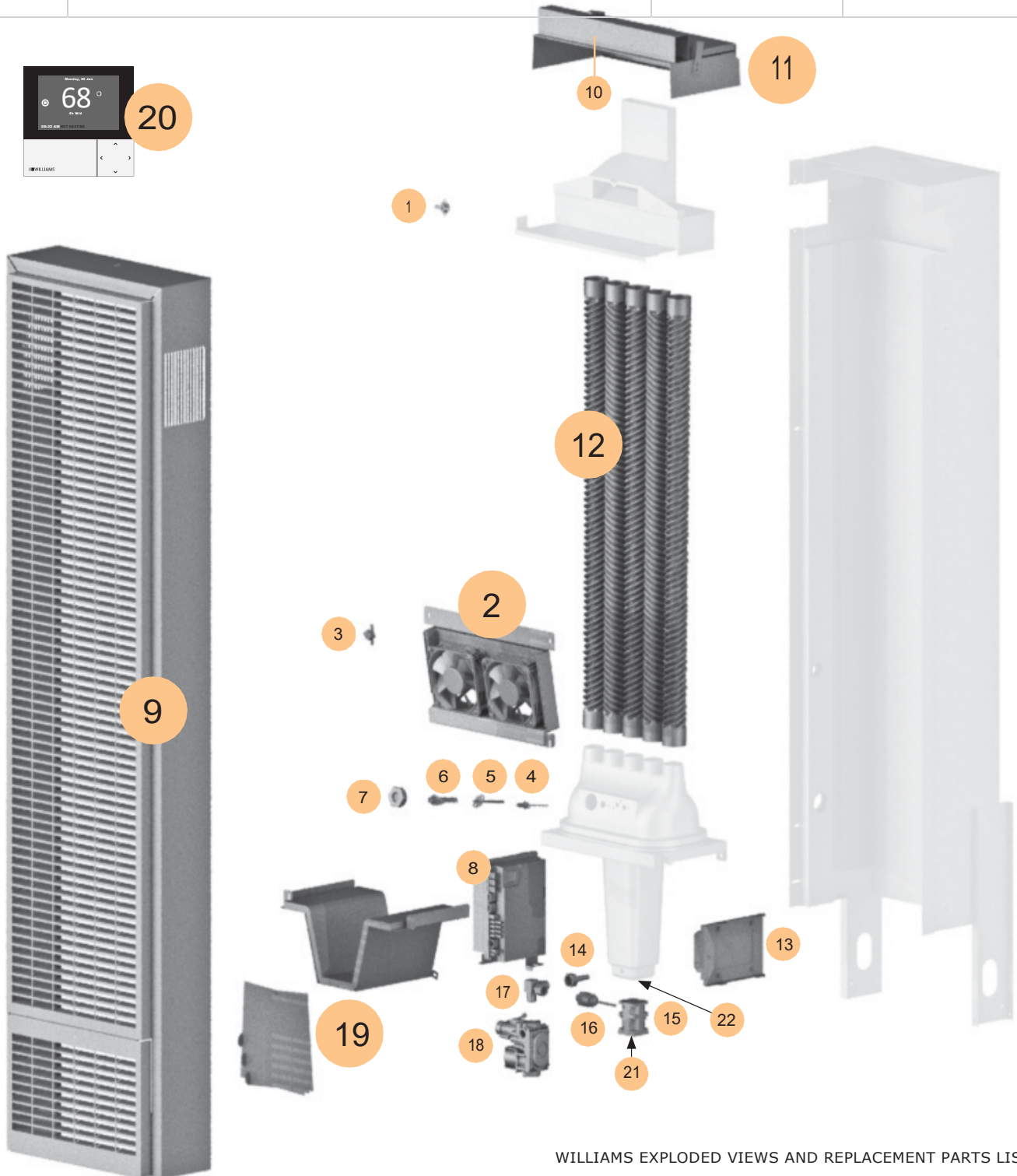
AC2030T TOP VENT MODEL NUMBERS	
NATURAL	
AC2030TN	
PROPANE	
AC2030TP	

REF. NO.	REPLACEMENT PART DESCRIPTION	AC2030TN	AC2030TP
1	Vent Limit Switch	P323834	P323834
2	Circulation Fan Assembly	M116840	M116840
3	High Limit Switch	P323828	P323828
4	Flame Sensor	M117837	M117837
5	Thermocouple Probe	M117836	M117836
6	Hot Surface Igniter	M117838	M117838
7*	Sight Window	M117255	M117255
8	Control Board	M117149	M117149
9	Front Panel	4915	4915
10	Vent Safety Switch	M117435	M117435
11	Header Assembly	M117283	M117283
12	Heat Exchanger Tube Assembly	M117285/M117287	M117285/M117287
13	Ignition Module	M117148	M117148
14**	Orifice	P323777	P323845
15	Combustion Fan	P323732	P323732
16**	Pressure Sensor	P323806	P323806
17**	Manifold Assembly	P323790	P323790
18**	Stepper Gas Valve	P323822	P323846
19	Label Assembly	M117500	M117500
20	Thermostat	P323744	P323744
21	Combustion Fan Filter	P323768	P323768
22	Combustion Fan Gasket	M117535	M117535
NOT SHOWN	Free Standing Accessory, 102" Maximum Height	4901	4901

* Apply DEACON 8875-THIN high temperature thread sealant (P323827) while installing 7

** Apply regular thread sealant (or P141101) while installing 14, 16, 17, 18

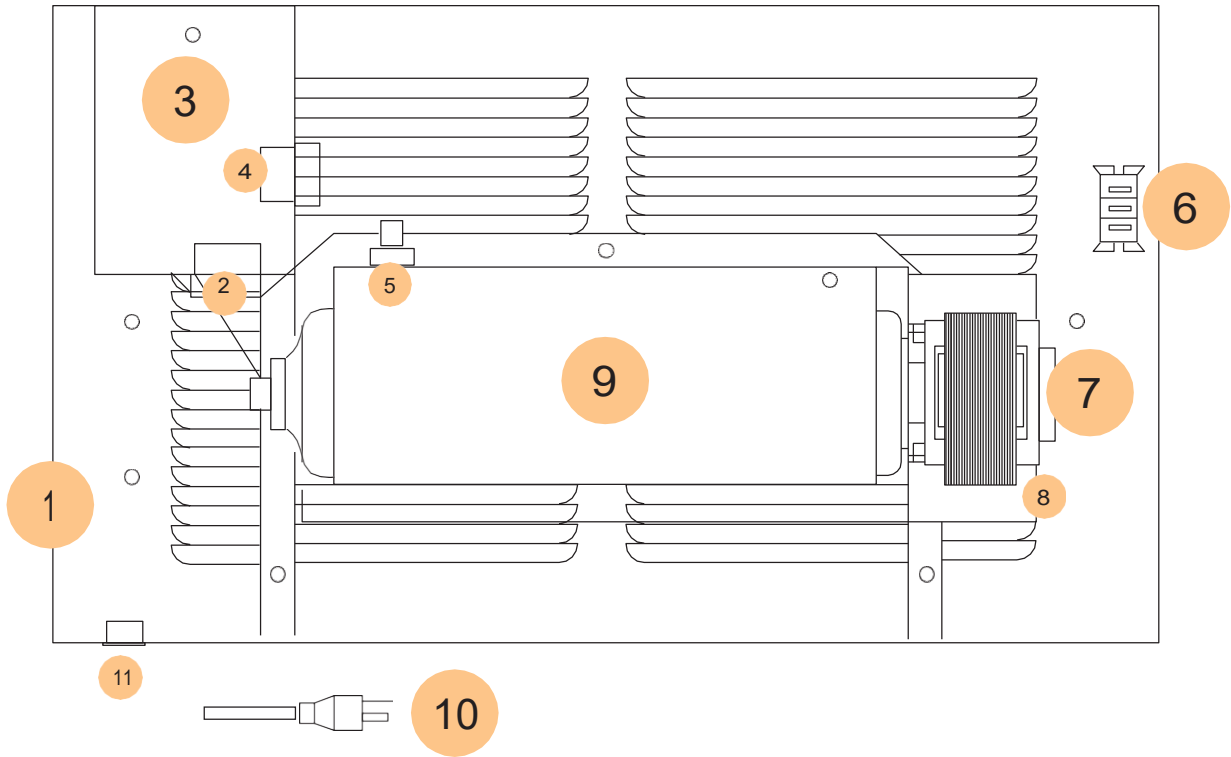
REF. NO.	REPLACEMENT PART DESCRIPTION	AC2030TN	AC2030TP
NOT SHOWN	KIT Oval Vent Starter Kit -Hold down plate, oval-to-round adapter, spacer plates, two 2 ` lengths of oval pipe - USA	9929	9929
NOT SHOWN	KIT Oval Vent Starter Kit -Hold down plate, oval-to-round adapter, spacer plates, two 2 ` lengths of oval pipe - CANADA	9930	9930
NOT SHOWN	KIT Conversion Kit Propane to Natural Gas	-	M117854
NOT SHOWN	KIT Conversion Kit Natural Gas to Propane	M117853	-



AC2030T TOP VENT GAS WALL HEATER

MOTORIZED REAR OUTLET REPLACEMENT PARTS

REF. NO.	REPLACEMENT PART DESCRIPTION	MODEL NUMBER	
		AC2030TN	AC2030TP
		KIT 6920	
1	Register Assembly	9B285	
2	Strain Relief Bushing	P500185	
3	J-Box Cover	9A427	
4	Strain Relief Brushing	P603108	
5	Heat Sensor Switch	P323172	
6	Fan Switch	P323080	
7	Motor and Blower	P323423	
8	Motor Cover	9A462	
9	Motor Housing Back Plate	9B284	
10	Cord and Plug	P323081	
11	Bushing	P323084	



AC3040T TOP VENT GAS WALL HEATER

PART NUMBERS FOR THE AC3040 MODELS

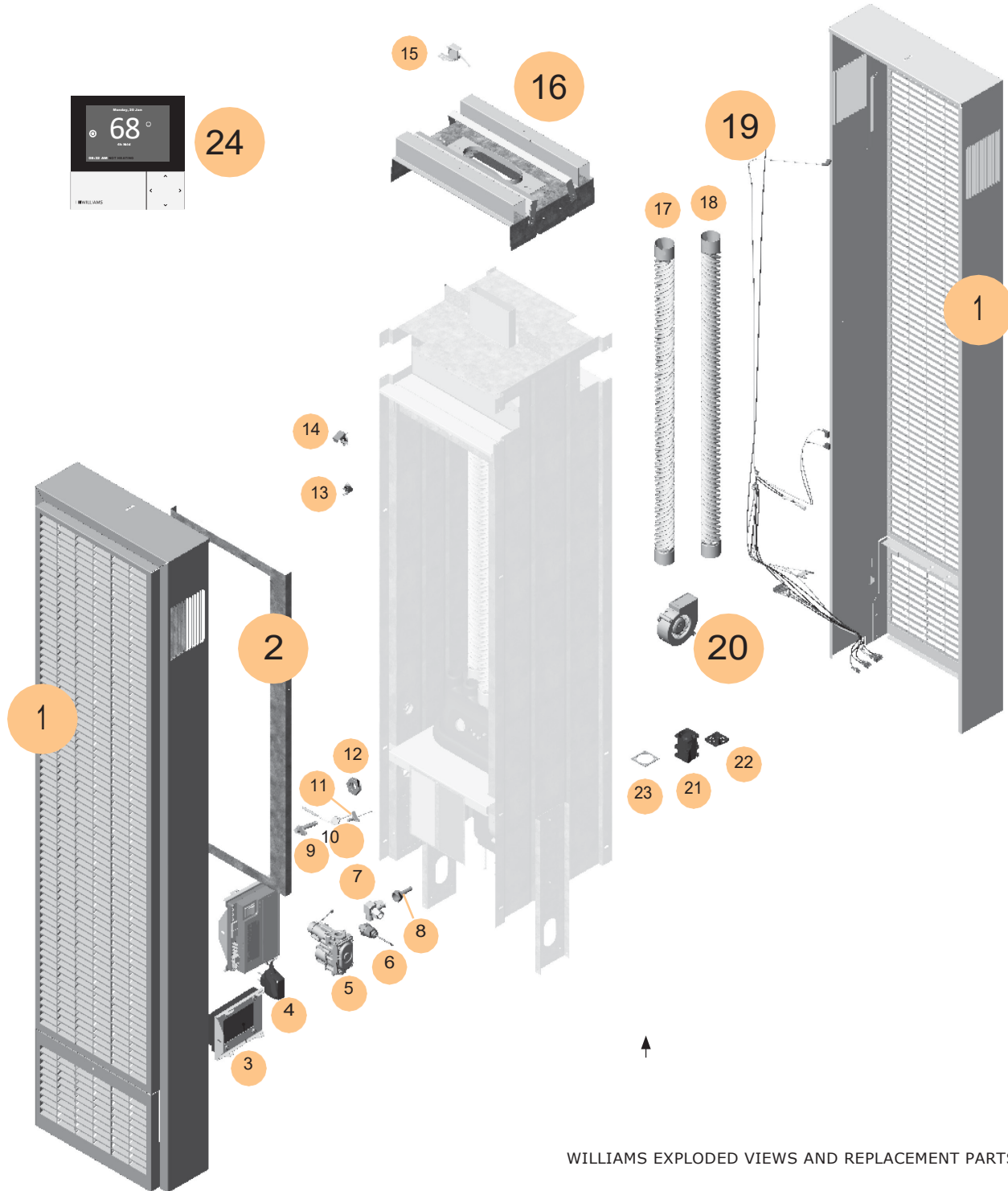
AC3040T TOP VENT MODEL NUMBERS	
NATURAL	
AC3040TN	
PROPANE	
AC3040TP	

REF. NO.	REPLACEMENT PART DESCRIPTION	AC3040TN	AC3040TP
1	Front Panel	4915	4915
2	Reinforcement Bracket	M117720	M117720
3	Ignition Module Assembly	M117148	M117148
4	Control Module Assembly	M117149	M117149
5**	Gas Valve	P323822	P323846
6**	Pressure Sensor	P323806	P323806
7**	Manifold Assembly	P323790	P323790
8**	Orifice	P323849	P323871
9	Hot Surface Igniter	M117838	M117838
10	Thermocouple Probe	M117836	M117836
11	Flame Sensor	M117837	M117837
12*	Sight Window	M117255	M117255
13	High Limit Switch	P323828	P323828
14	Vent Limit Switch	P323834	P323834
15	Vent Presence Switch	M117435	M117435
16	Header Plate Assembly	M117710	M117710
17	Heat Exchanger Tube Assembly Opposite	M117285	M117285
18	Heat Exchanger Tube Assembly	M117287	M117287
19	Wire Harness	P323860	P323860
20	Circulation Fan	P323861	P323861
21	Combustion Fan	P323732	P323732
22	Combustion Fan Filter	P323758	P323758
23	Combustion Fan Gasket	M117535	M117535
24	Thermostat	P323744	P323744

* Apply DEACON 8875-THIN high temperature sealant while installing.

** Apply regular thread sealant (or P141101) while installing.

REF. NO.	REPLACEMENT PART DESCRIPTION	AC3040TN	AC3040TP
NOT SHOWN	KIT Oval Vent Starter Kit -Hold down plate, oval-to-round adapter, spacer plates, two 2` lengths of oval pipe - USA	9929	9929
NOT SHOWN	KIT Oval Vent Starter Kit -Hold down plate, oval-to-round adapter, spacer plates, two 2` lengths of oval pipe - CANADA	9930	9930
NOT SHOWN	KIT Conversion Kit Propane to Natural Gas	-	M117881
NOT SHOWN	KIT Conversion Kit Natural Gas to Propane	M117880	-



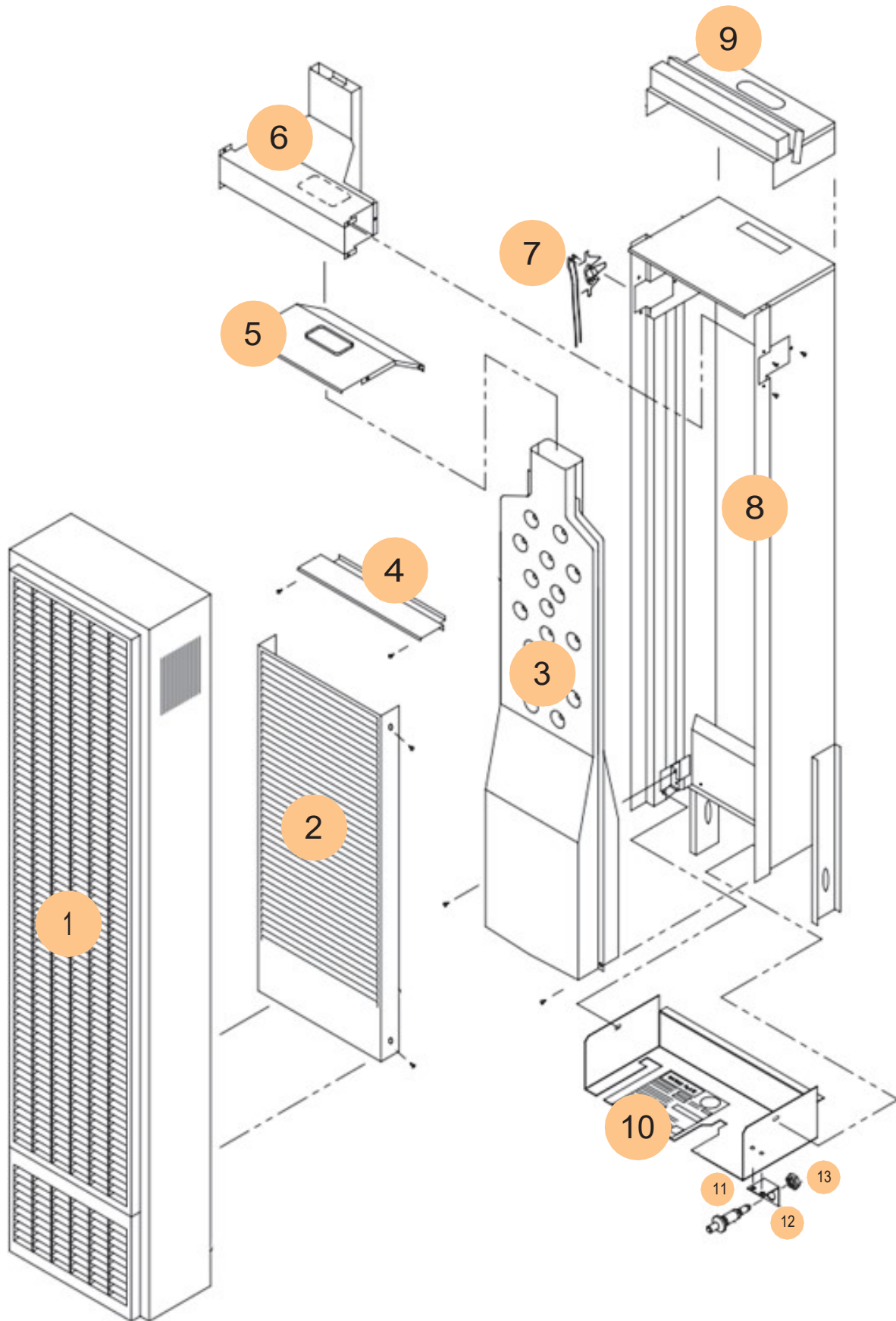
MONTEREY TOP VENT FURNACE

PART NUMBERS FOR THE 250 / 350 MODELS

SINGLE SIDED 1 IN. SIDE CLEARANCE			
NATURAL			
2509622A	25H9622A	3509622A	35H9622A
PROPANE			
2509621A		3509621A	

REF. NO.	REPLACEMENT PART DESCRIPTION	2509622A 2509621A	25H9622A	3509622A 3509621A	35H9622A
1	Face Panel	4915	4915	4915	4915
2	Front Heat Shield	9C216	9C216	9C216	9C216
3	Combustion Chamber	6922	6922	6923	6923
4	Front Shield Deflector	9B199	9B199	9B199	9B199
5	Inner Shield Top	9C152	9C152	9C152	9C152
6	Draft Hood Assembly	9C184	9C184	9C217	9C217
7	Vent Limit Switch	P321826	P321826	P322055	P322055
8	Shield Assembly	9C213	9C213	9C213	9C213
9	Header	5902	5902	5902	5902
10	Burner Pan	9B296	9B296	9B296	9B296
11	Manual Spark Igniter	P285500	P285500	P285500	P285500
12	Igniter Bracket	7A189	7A189	7A189	7A189
13	Pal Nut	P285501	P285501	P285501	P285501
NOT SHOWN	Header - Insulation	P310000	P310000	P310000	P310000
NOT SHOWN	Parts Bag	9A324	9A325	9A324	9A327
NOT SHOWN	Knob	P332606	P332606	P332606	P332606
NOT SHOWN	Vent Limit Switch Bracket	P322074	P322074	P322074	P322074
Thermostat not included with these models.					

EXPLODED VIEW & REPLACEMENT PARTS

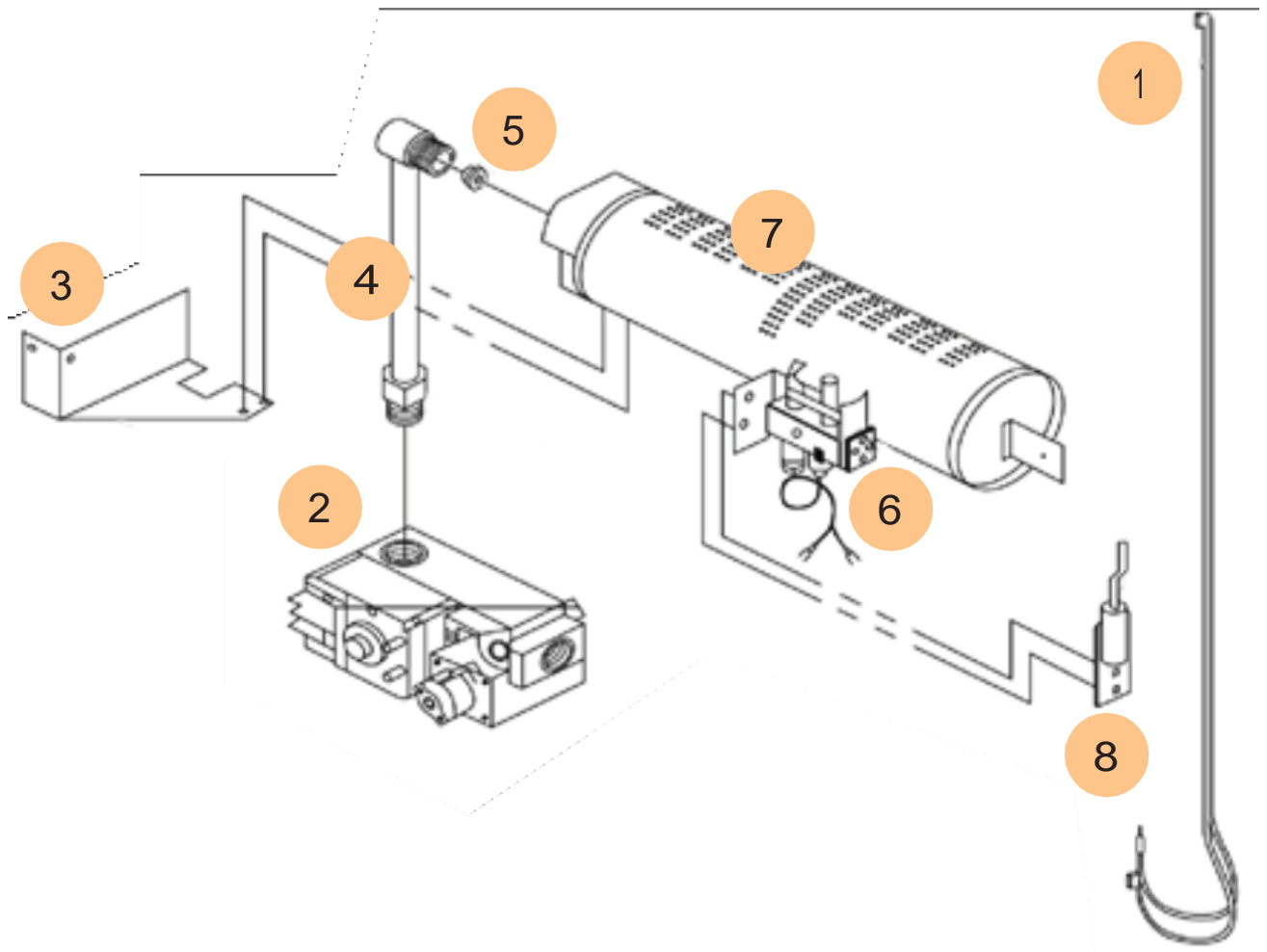


MONTEREY TOP VENT FURNACE

CONTROL ASSEMBLY REPLACEMENT PARTS 250 / 350 MODELS

MODEL NUMBERS			
NATURAL			
2509622A	25H9622A	3509622A	35H9622A
PROPANE			
2509621A		3509621A	

REF. NO.	REPLACEMENT PART DESCRIPTION	2509622A 25H9622A	3509622A 35H9622A	2509621A	3509621A
1	Wire Assembly (2 Req.)	P321836/A	P321836/A	P321836/A	P321836/A
2	Valve	P323011	P323011	P322660	P322660
3	Front Burner Bracket	9B234	9B234	9B234	9B234
4	Manifold	P323660	P323660	P323660	P323660
5	Burner Orifice)	P090543	P090536	P332624	P332635
6	Pilot/Generator Assembly	P501617	P501617	P501618	P501618
7	Burner	P323648	P323648	P323648	P323648
8	Electrode	P322276	P322276	P322276	P322276



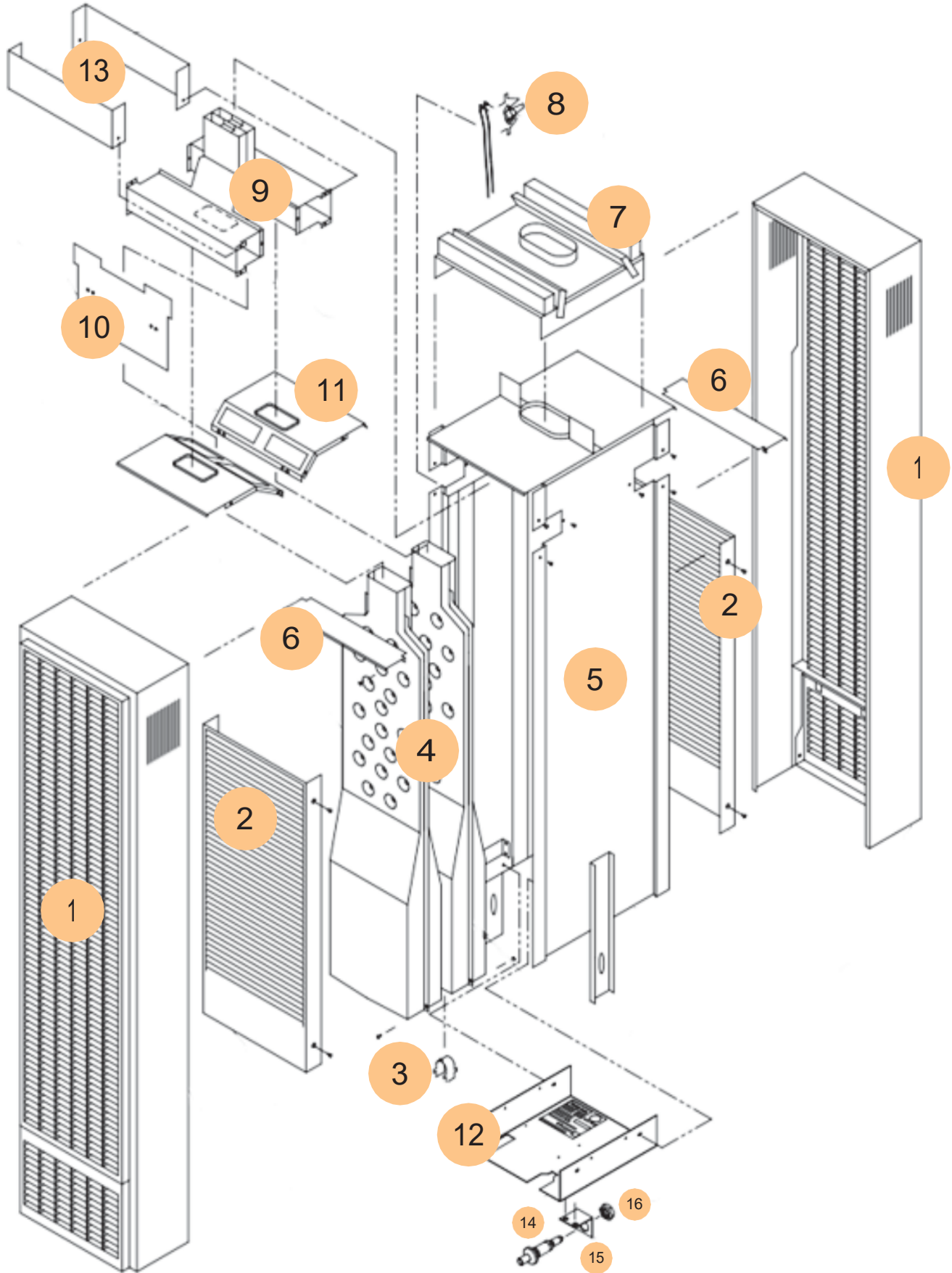
MONTEREY TOP VENT FURNACE

PART NUMBERS FOR THE 500 MODELS

DOUBLE SIDED SIDED 4 IN. SIDE CLEARANCE	
NATURAL	
5009622A	50H9622A
PROPANE	
5009621A	

REF. NO.	REPLACEMENT PART DESCRIPTION	5009622A	50H9622A	5009621A
1	Face Panel (2 Req.)	4915	4915	4915
2	Front Heat Shield (2 Req.)	9C216	9C216	9C216
3	Carryover Shell	9A321-1	9A321-1	9A321-1
4	Combustion Chamber (2 Req.)	9D97/9D98	9D97/9D98	9D97/9D98
5	Shield Assembly	9C218	9C218	9C218
6	Deflector (2 Req.)	9B199	9B199	9B199
7	Header	5901	5901	5901
8	Vent Limit Switch	P321826	P321826	P321826
9	Draft Hood (2 Req.)	9C170	9C170	9C170
10	Non-Vision Shield	9C157	9C157	9C157
11	Inner Shield Top (2 Req.)	9C158	9C158	9C158
12	Burner Pan Assembly	9B251	9B251	9B251
13	Blower Heat Deflector	9A440	9A440	9A440
14	Manual Spark Igniter	P285500	P285500	P285500
15	Igniter Bracket	7A189	7A189	7A189
16	Pal Nut	P285501	P285501	P285501
NOT SHOWN	Header – Insulation	P310000	P310000	P310000
NOT SHOWN	Parts Bag	9A323	9A329	9A323
NOT SHOWN	Knob	P332606	P332606	P332606
NOT SHOWN	Vent Limit Switch Bracket	P322074	P322074	P322074
Thermostat not included with these models.				

EXPLODED VIEW & REPLACEMENT PARTS

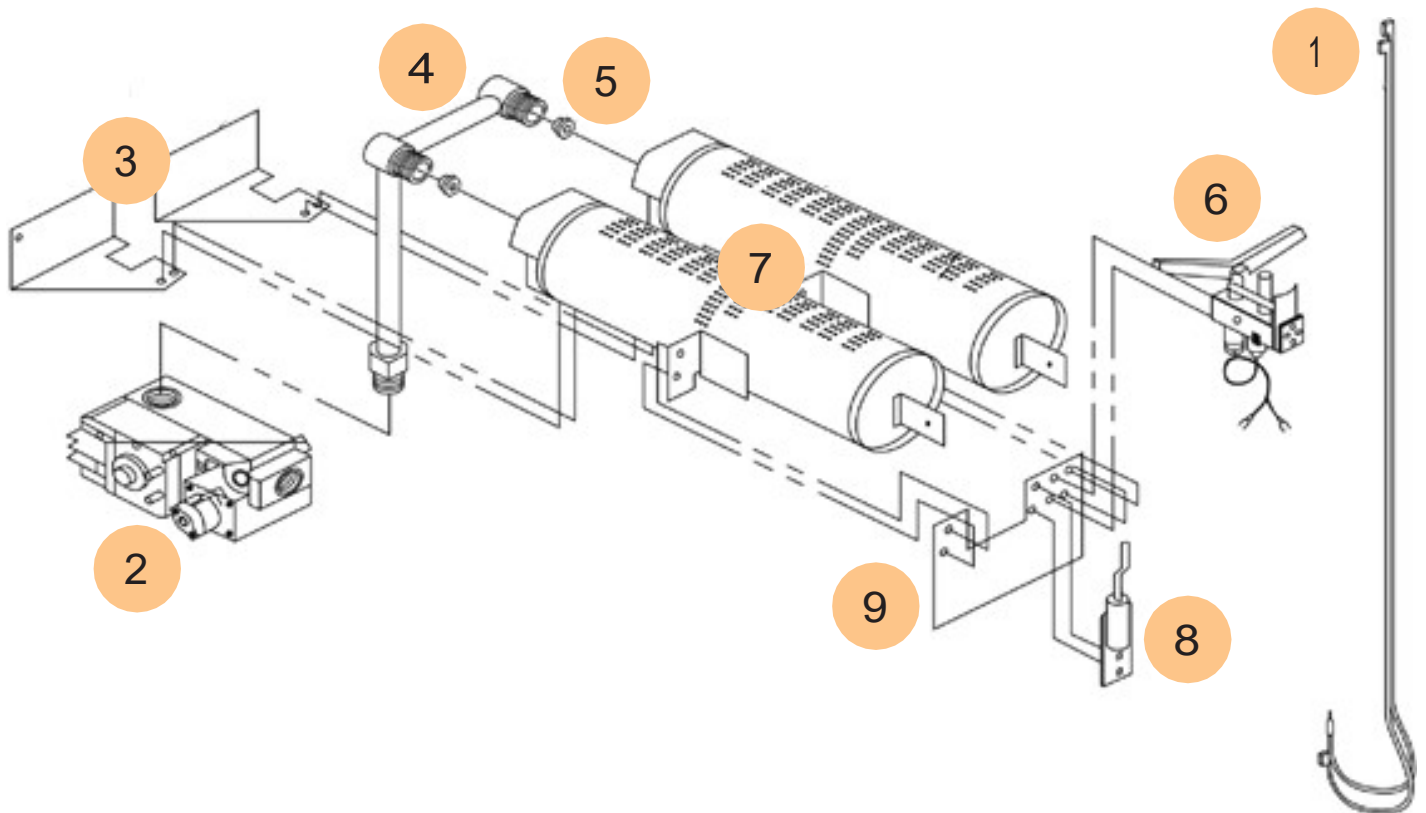


MONTEREY TOP VENT FURNACE

CONTROL ASSEMBLY REPLACEMENT PARTS FOR 500 MODELS

MODEL NUMBERS	
NATURAL	
5009622A	50H9622A
PROPANE	
5009621A	

REF. NO.	REPLACEMENT PART DESCRIPTION	5009622A 50H9622A	5009621A
1	Wire Assembly (2 Req.)	P321836/A	P321836/A
2	Valve	P323011	P322660
3	Front Burner Bracket	9B243	9B243
4	Manifold	P323661	P323661
5	Burner Orifice (2 Req.)	P332625	P332623
6	Pilot/Generator Assembly	P322396	P322397
7	Burner (2 Req.)	P323648	P323648
8	Electrode	P322155	P322155
9	Pilot Mounting Plate	9A409	9A409

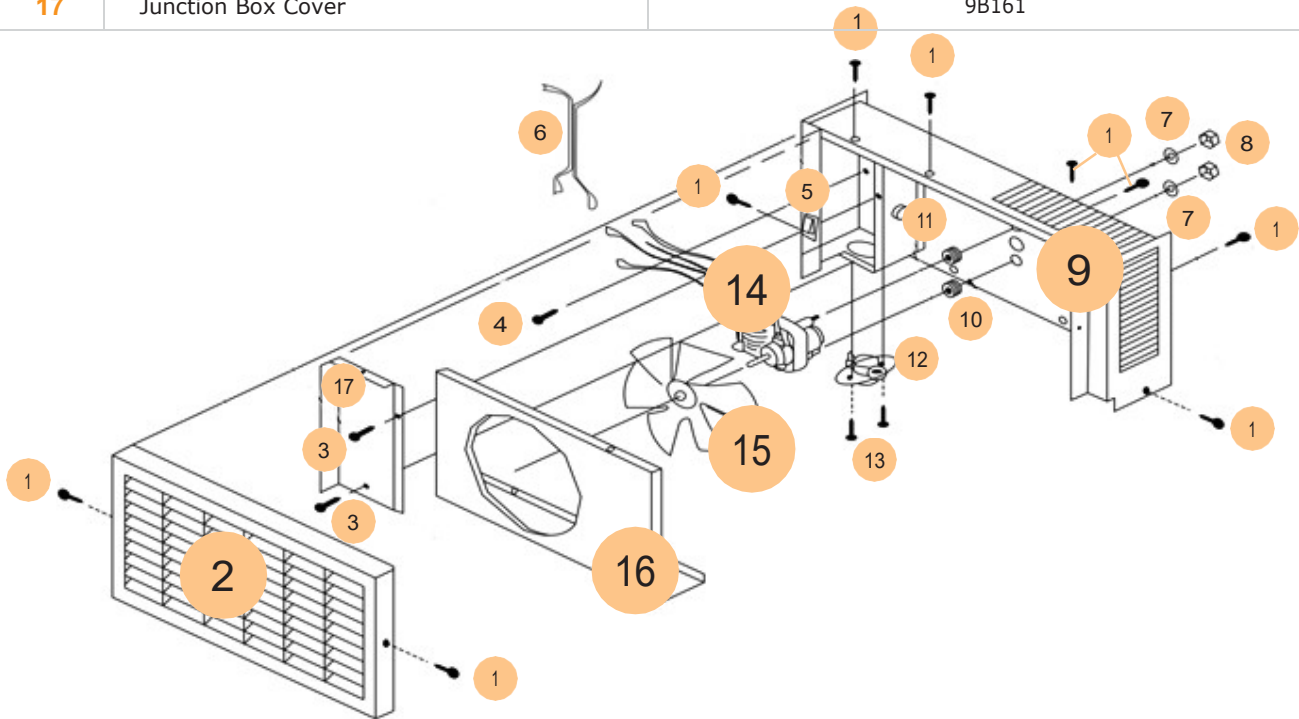


MONTEREY TOP VENT FURNACE

BLOWER ACCESSORY MODEL 2901 PARTS

MODEL NUMBER	
2901	

REF. NO.	REPLACEMENT PART DESCRIPTION	PART NUMBER
1	Screw - #8Ax 3/8 (9)	P013200
2	Blower Grille	9C99
3	Screw - #8Ax 3/8 (8)	P093200
4	Screw - #10 x 1/2	P141000
5	Toggle Switch	P320911A
6	Wire Bridle	P320912
7	Flat Washer - #10-31 (2)	P127300
8	Machine Nut - #8-32 w/Washer (2)	P041100
9	Blower Body	9C102
10	Motor Mount Grommet (2)	P321078
11	Strain Relief Bushing	P012900
12	Fan Switch	P323097
13	Screw - #8-18 x 1/2"	P138200
14	Motor	P320905
15	Fan Blade	9B99
16	Orifice Plate	9D12-1
17	Junction Box Cover	9B161



MONTEREY TOP VENT FURNACE

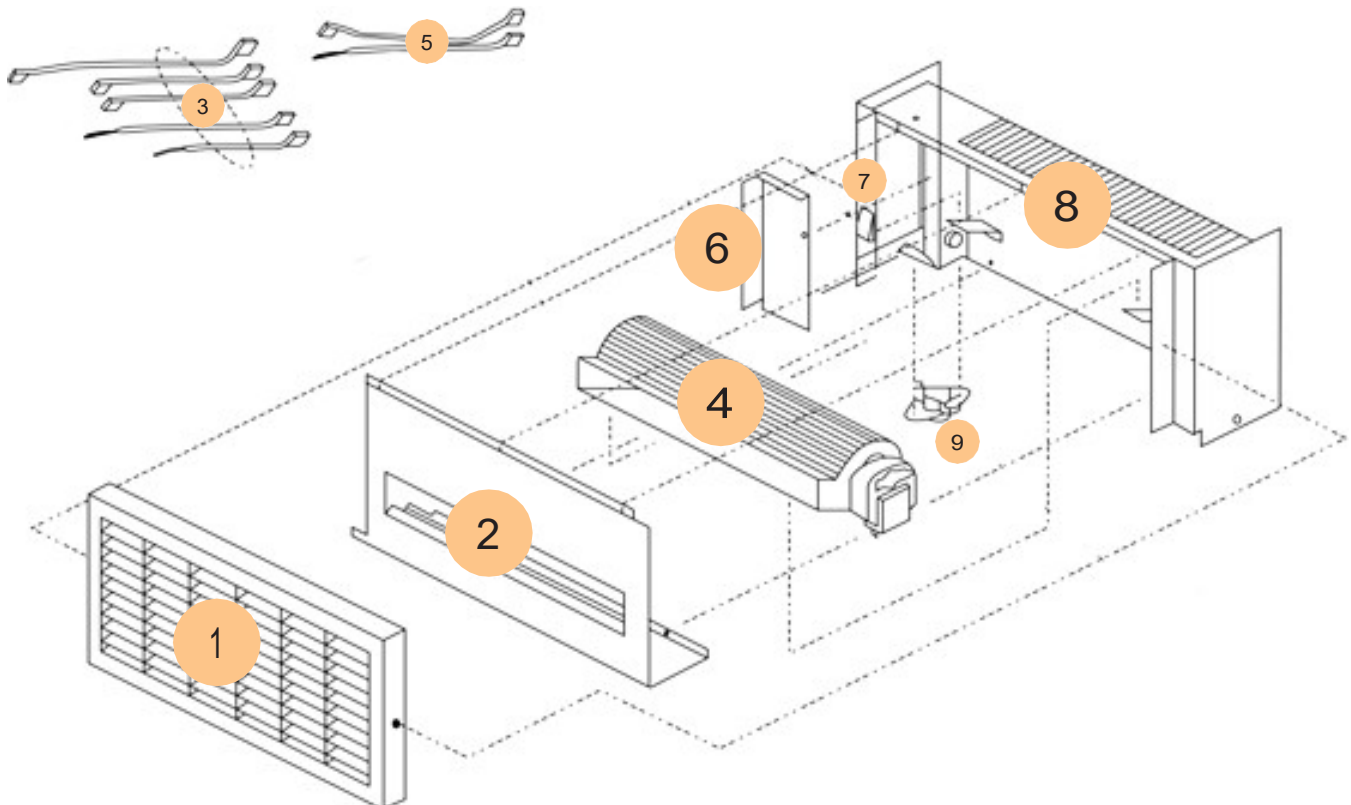
BLOWER ACCESSORY MODEL 2907 PARTS

MODEL NUMBER	
2907	

REF. NO.	REPLACEMENT PART DESCRIPTION	PART NUMBER
1	Blower Grille	9C99
2	Orifice Plate	9B246
3	Wire Assemblies	P323085 / P323086 / P323377
4	Blower and Motor	P323423
5	Heat Sensor Wire Assemblies	P274202 / P109600
6	Junction Box Cover	9A483
7	Fan Switch	P323080
8	Blower Body	9B249
9	Heat Sensor Switch	P323097

Use only manufacturer's authorized parts.

NOTE: Nuts, bolts, screws, and washers are standard hardware items and may be purchased locally.



MONTEREY TOP VENT FURNACE

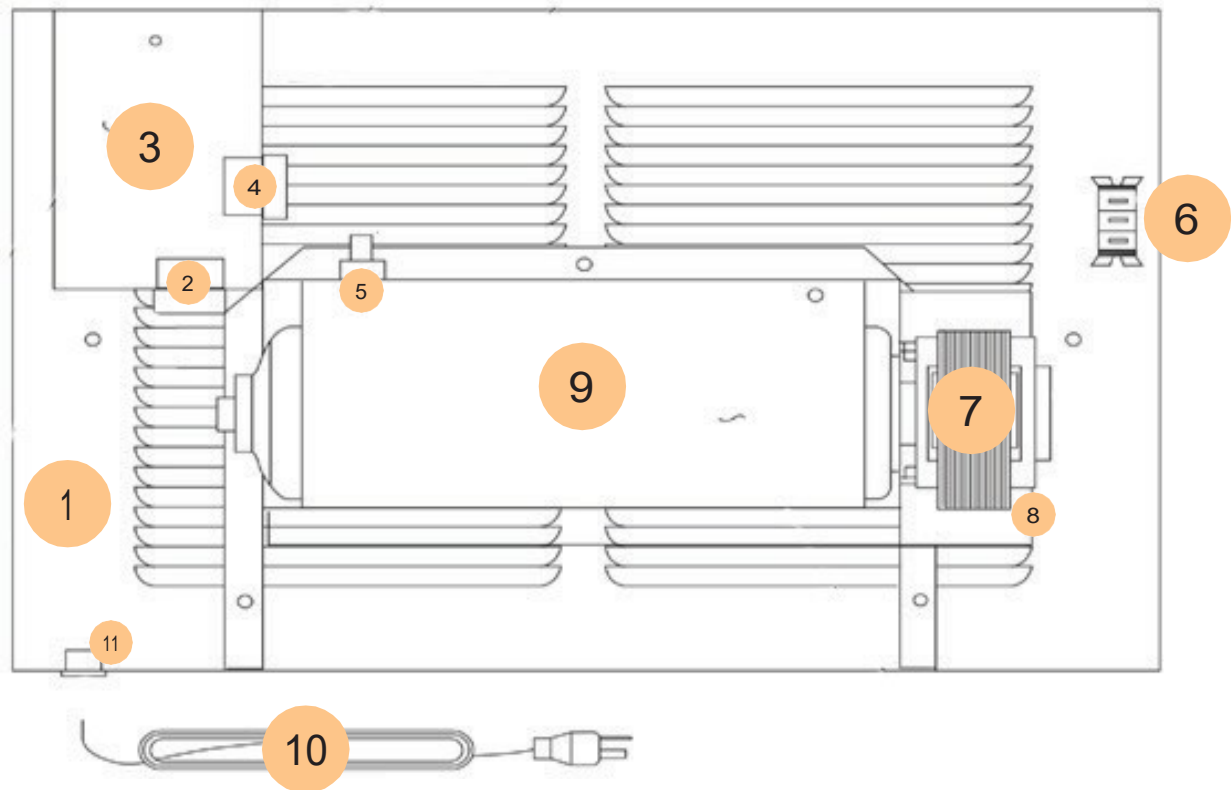
MOTORIZED REAR OUTLET REPLACEMENT PARTS

MODEL NUMBERS	
6919	6920

REF. NO.	REPLACEMENT PART DESCRIPTION	6919	6920
1	Register Assembly	9B269	9B285
2	Strain Relief Bushing	P500158	P500158
3	J-Box Cover	9A427	9A427
4	Strain Relief Bushing	P603108	P603108
5	Heat Sensor Switch	P323172	P323172
6	Fan Switch	P323080	P323080
7	Motor and Blower	P323423	P323423
8	Motor cover	9A435	9A462
9	Motor Housing Back Plate	9B266	9B284
10	Cord and Plug	P323081	P323081
11	Bushing	P323084	P323084

Use only manufacturer's authorized parts.

NOTE: Nuts, bolts, screws, and washers are standard hardware items and may be purchased locally.



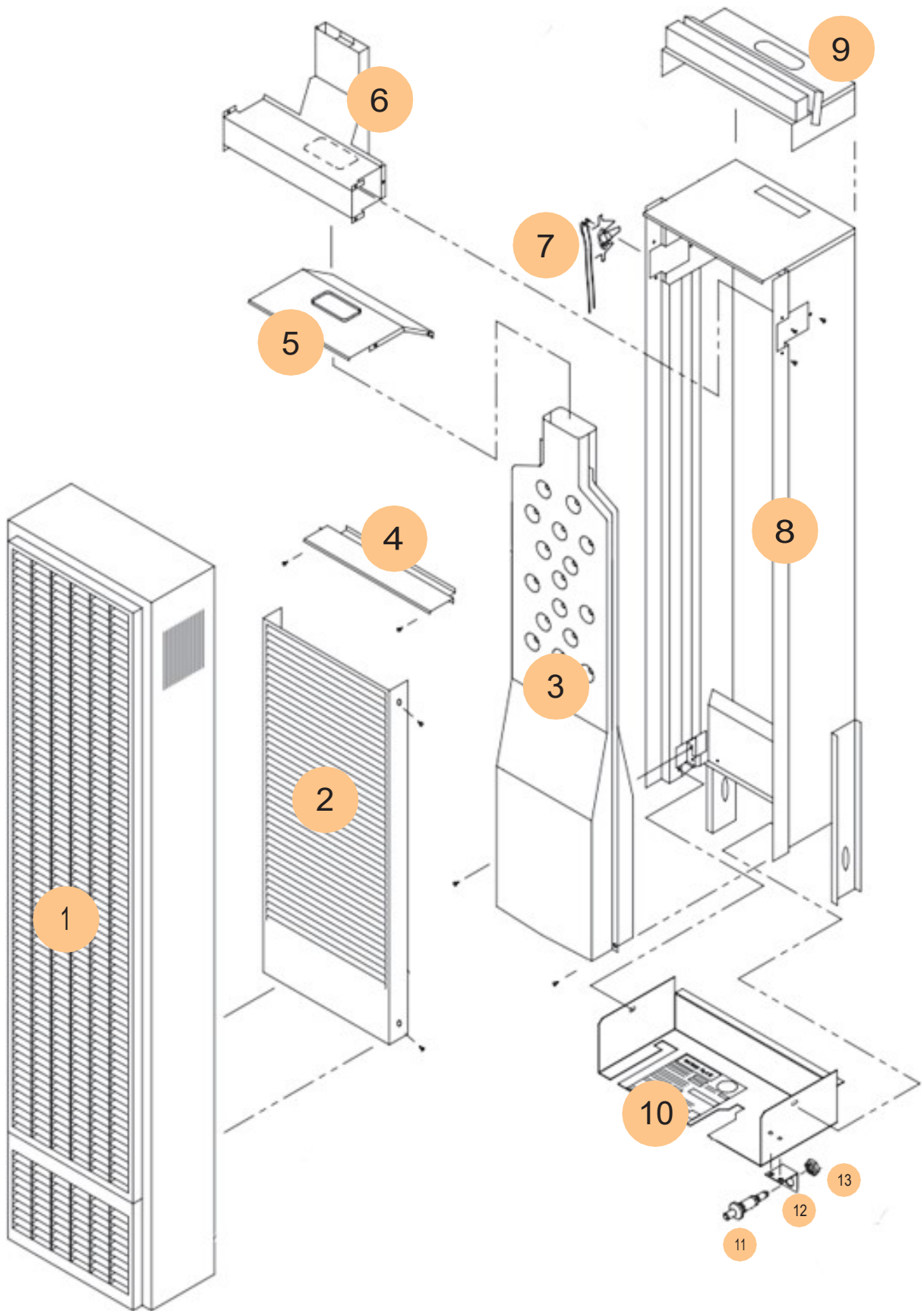
MONTEREY *PLUS* + TOP VENT FURNACE

PART NUMBERS FOR THE 250 / 350 MODELS

SINGLE SIDED 1 IN. SIDE CLEARANCE	
NATURAL	
2509822	3509822
PROPANE	
2508921	3509821

REF. NO.	REPLACEMENT PART DESCRIPTION	2509822	3509822	2508921	3509821
1	Face Panel	4915	4915	4915	4915
2	Front Heat Shield	9C216	9C216	9C216	9C216
3	Combustion Chamber	6922	6923	6922	6923
4	Front Shield Deflector	9B199	9B199	9B199	9B199
5	Inner Shield Top	9C152	9C152	9C152	9C152
6	Draft Hood Assembly	9C184	9C217	9C184	9C217
7	Vent Limit Switch	P321826	P322055	P321826	P322055
8	Shield Assembly	9C213	9C213	9C213	9C213
9	Header	5902	5902	5902	5902
10	Burner Pan	9B296	9B296	9B296	9B296
11	Manual Spark Igniter	P285500	P285500	P285500	P285500
12	Igniter Bracket	7A189	7A189	7A189	7A189
13	Pal Nut	P285501	P285501	P285501	P285501
NOT SHOWN	Header - Insulation	P310000	P310000	P310000	P310000
NOT SHOWN	Parts Bag	9A288-1	9A228-1	9A288-1	9A228-1
NOT SHOWN	Knob	P332606	P332606	P332606	P332606
NOT SHOWN	Vent Limit Switch Bracket	P322074	P322074	P322074	P322074
Thermostat not included with these models.					

EXPLODED VIEW & REPLACEMENT PARTS

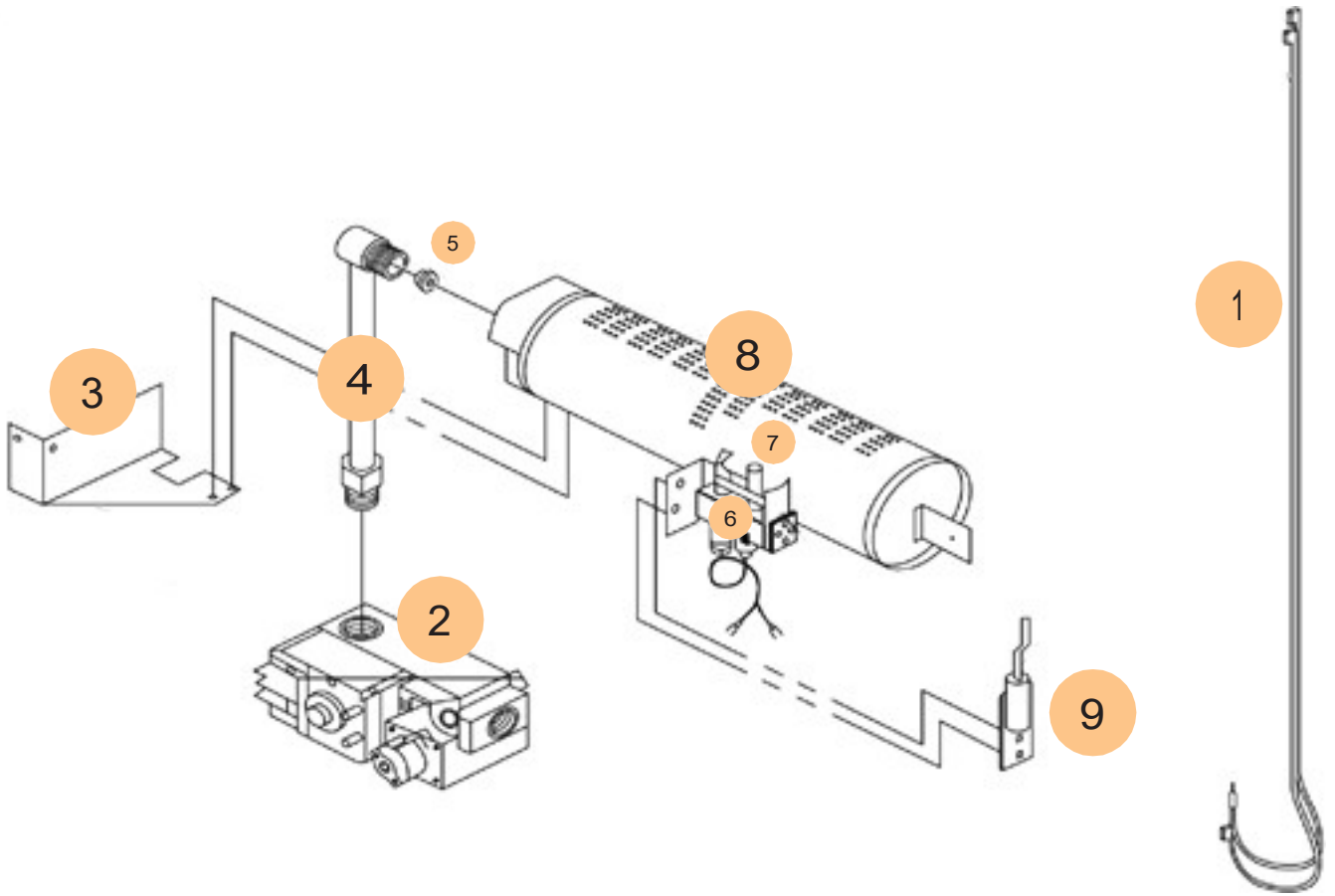


MONTEREY *PLUS* + TOP VENT FURNACE

CONTROL ASSEMBLY REPLACEMENT PARTS 250 / 350 MODELS

MODEL NUMBERS	
NATURAL	
2509822	3509822
PROPANE	
2509821	3509821

REF. NO.	REPLACEMENT PART DESCRIPTION	2509822	3509822	2509821	3509821
1	Wire Assembly (2 Req.)	P321836/A	P321836/A	P321836/A	P321836/A
2	Valve	P323011	P323011	P322660	P322660
3	Front Burner Bracket	9B234	9B234	9B234	9B234
4	Manifold	P323660	P323660	P323660	P323660
5	Burner Orifice	P332618	P332636	P332618	P332635
6	Pilot	P323074	P323074	P323073	P323073
7	Generator	P043800	P043800	P043800	P043800
8	Burner	P323648	P323648	P323648	P323648
9	Electrode	P322276	P322276	P322276	P322276



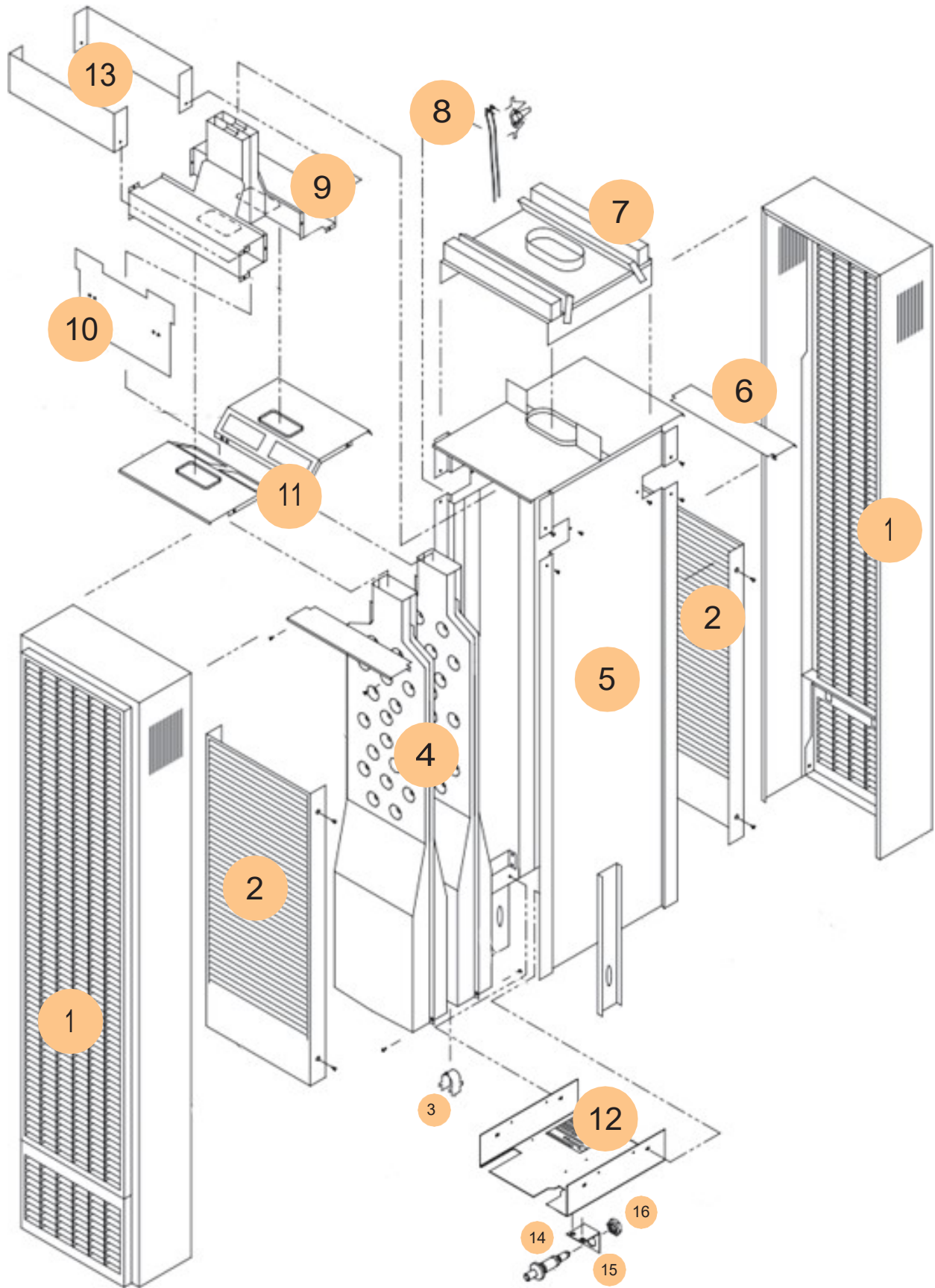
MONTEREY *PLUS* + TOP VENT FURNACE

PART NUMBERS FOR THE 500 MODELS

DOUBLE SIDED SIDED 4 IN. SIDE CLEARANCE	
NATURAL	
5009822	
PROPANE	
5009821	

REF. NO.	REPLACEMENT PART DESCRIPTION	5009822	5009821
1	Face Panel (2 Req.)	4915	4915
2	Front Heat Shield (2 Req.)	9C216	9C216
3	Carryover Shell	9A321-1	9A321-1
4	Combustion Chamber (2 Req.)	9D97/9D98	9D97/9D98
5	Shield Assembly	9C218	9C218
6	Deflector (2 Req.)	9B199	9B199
7	Header	5901	5901
8	Vent Limit Switch	P321826	P321826
9	Draft Hood (2 Req.)	9C170	9C170
10	Non-Vision Shield	9C157	9C157
11	Inner Shield Top (2 Req.)	9C158	9C158
12	Burner Pan Assembly	9B251	9B251
13	Blower Heat Deflector	9A440	9A440
14	Manual Spark Igniter	P285500	P285500
15	Igniter Bracket	7A189	7A189
16	Pal Nut	P285501	P285501
NOT SHOWN	Header – Insulation	P310000	P310000
NOT SHOWN	Parts Bag	9A322	9A322
NOT SHOWN	Knob	P332606	P332606
NOT SHOWN	Vent Limit Switch Bracket	P322074	P322074
Thermostat not included with these models.			

EXPLODED VIEW & REPLACEMENT PARTS

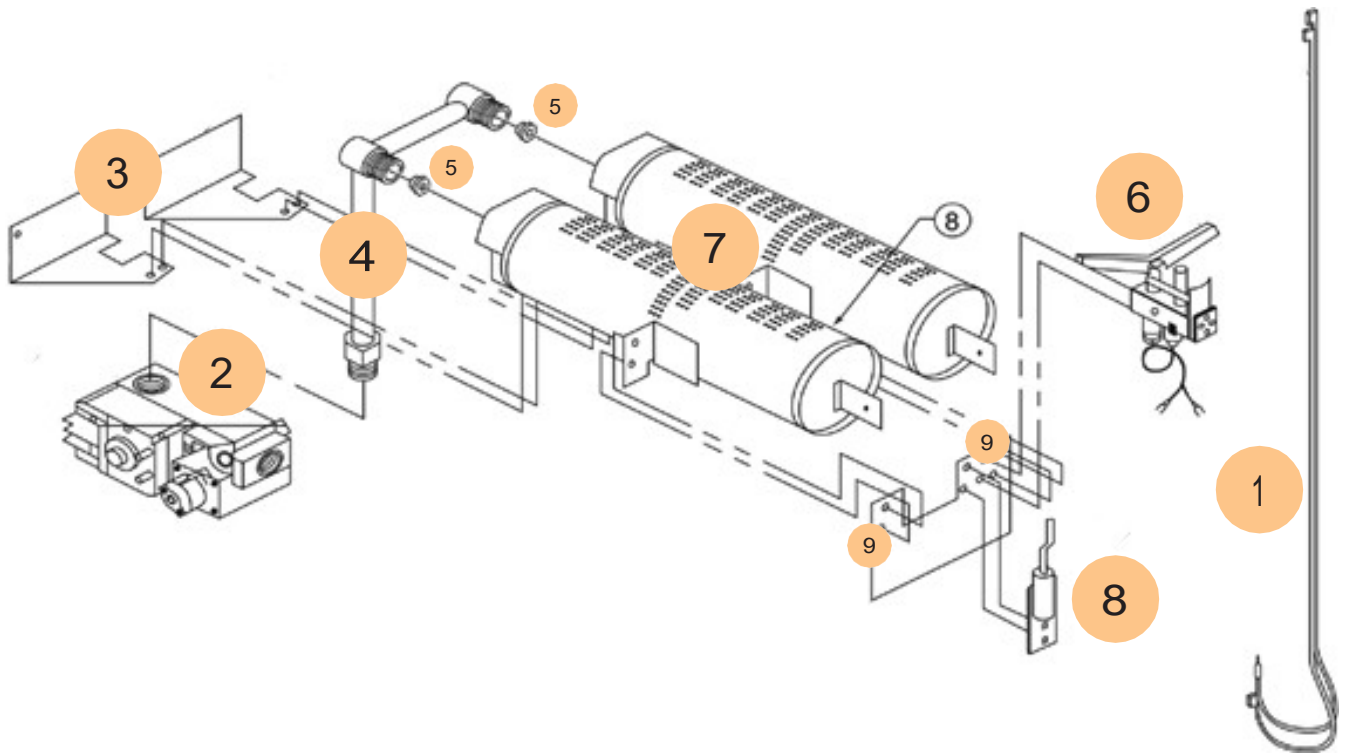


MONTEREY PLUS + TOP VENT FURNACE

CONTROL ASSEMBLY REPLACEMENT PARTS FOR 500 MODELS

MODEL NUMBERS	
NATURAL	
5009822	
PROPANE	
5009821	

REF. NO.	REPLACEMENT PART DESCRIPTION	5009822	5009821
1	Wire Assembly (2 Req.)	P321836/A	P321836/A
2	Valve	P323011	P322660
3	Front Burner Bracket	9B243	9B243
4	Manifold	P323661	P323661
5	Burner Orifice (2 Req.)	P332625	P332623
6	Pilot/Generator Assembly	P322396	P322397
7	Burner	P323648	P323648
8	Electrode	P322155	P322155
9	Pilot Mounting Plate (2 Req.)	9A409	9A409

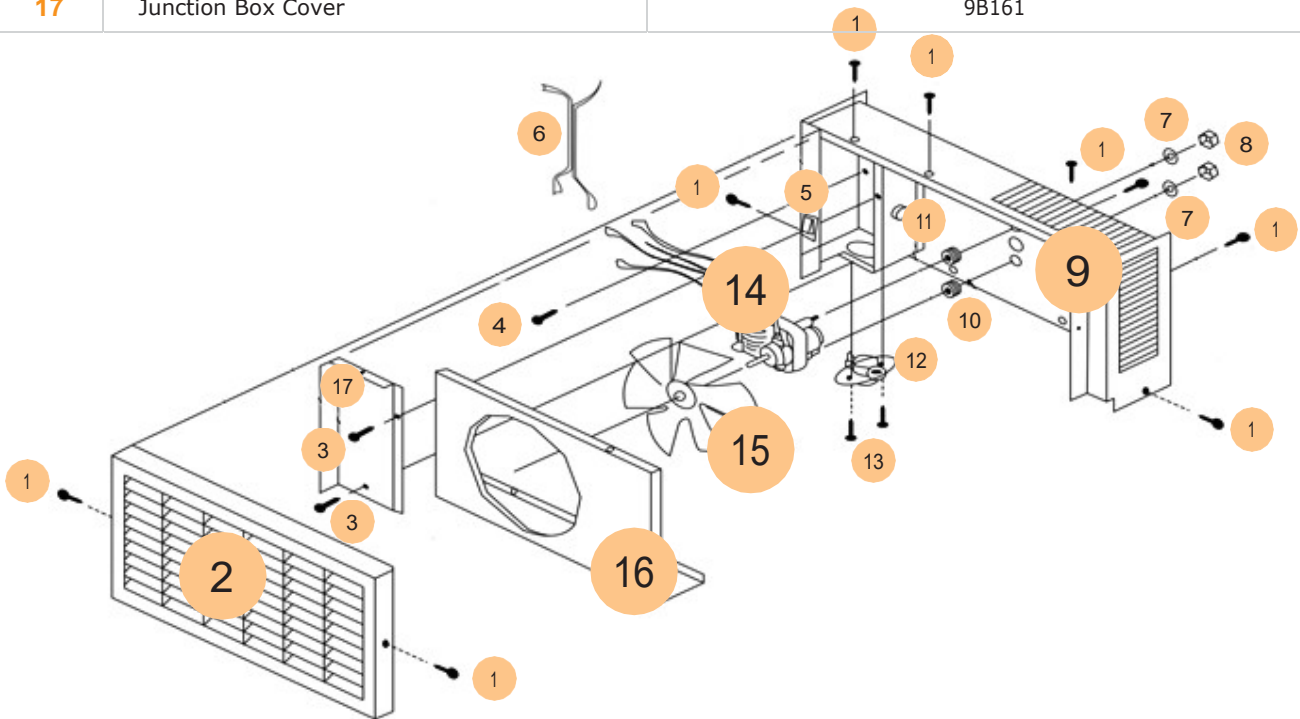


MONTEREY PLUS + TOP VENT FURNACE

BLOWER ACCESSORY MODEL 2901 PARTS

MODEL NUMBER	
2901	

REF. NO.	REPLACEMENT PART DESCRIPTION	PART NUMBER
1	Screw - #8Ax 3/8 (8)	P013200
2	Blower Grille	9C99
3	Screw - #8Ax 3/8 (8)	P093200
4	Screw - #10 x 1/2	P141000
5	Toggle Switch	P320911A
6	Wire Bridle	P320912
7	Flat Washer - #10-31 (2)	P127300
8	Machine Nut - #8-32 w/Washer (2)	P041100
9	Blower Body	9C102
10	Motor Mount Grommet (2)	P321078
11	Strain Relief Bushing	P012900
12	Fan Switch	P323097
13	Screw - #8-18 x 1/2"	P138200
14	Motor	P320905
15	Fan Blade	9B99
16	Orifice Plate	9D12-1
17	Junction Box Cover	9B161



MONTEREY PLUS + TOP VENT FURNACE

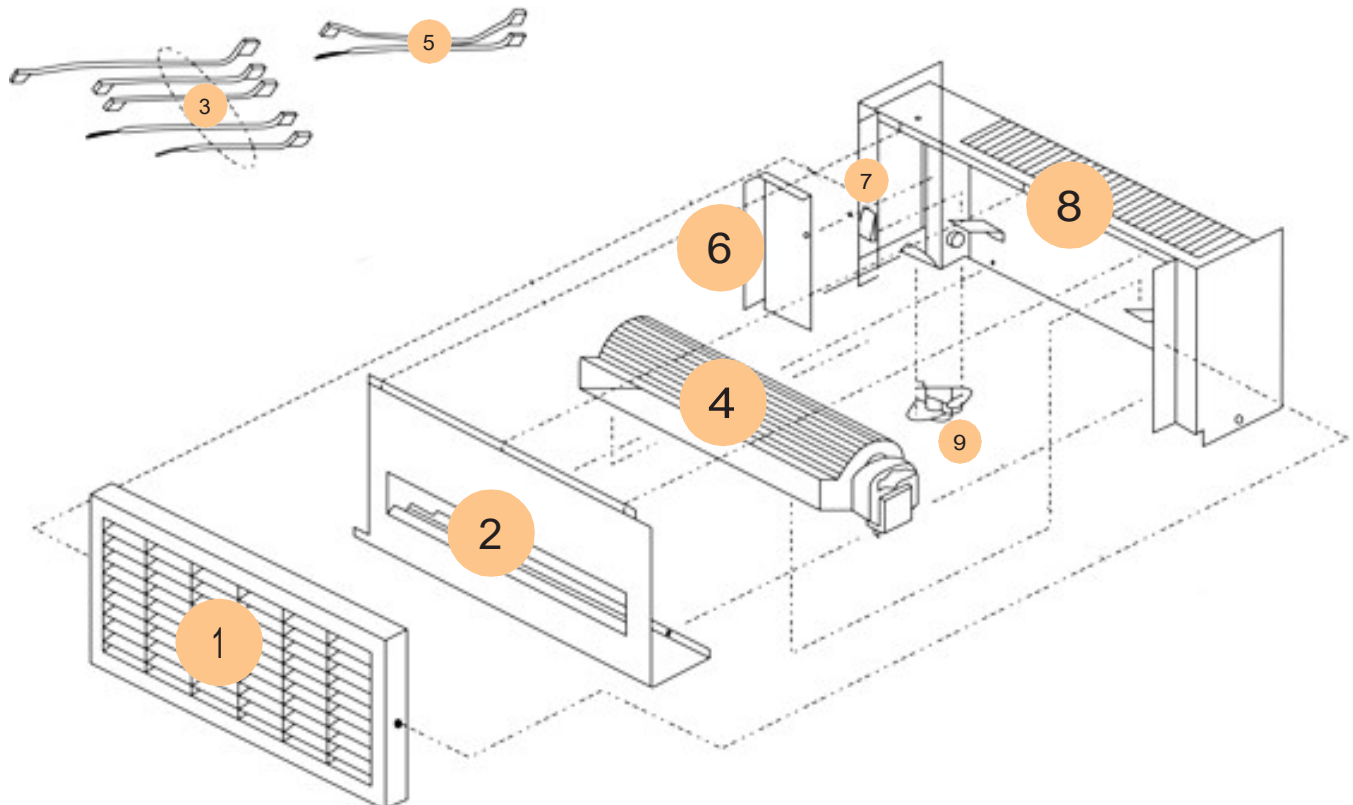
BLOWER ACCESSORY MODEL 2907 PARTS

MODEL NUMBER	
2907	

REF. NO.	REPLACEMENT PART DESCRIPTION	PART NUMBER
1	Blower Grille	9C99
2	Orifice Plate	9B246
3	Wire Assemblies	P323085 / P323086 / P323377
4	Blower and Motor	P323423
5	Heat Sensor Wire Assemblies	P274202 / P109600
6	Junction Box Cover	9A483
7	Fan Switch	P323080
8	Blower Body	9B249
9	Heat Sensor Switch	P323097

Use only manufacturer's authorized parts.

NOTE: Nuts, bolts, screws, and washers are standard hardware items and may be purchased locally.



MONTEREY *PLUS* + TOP VENT FURNACE

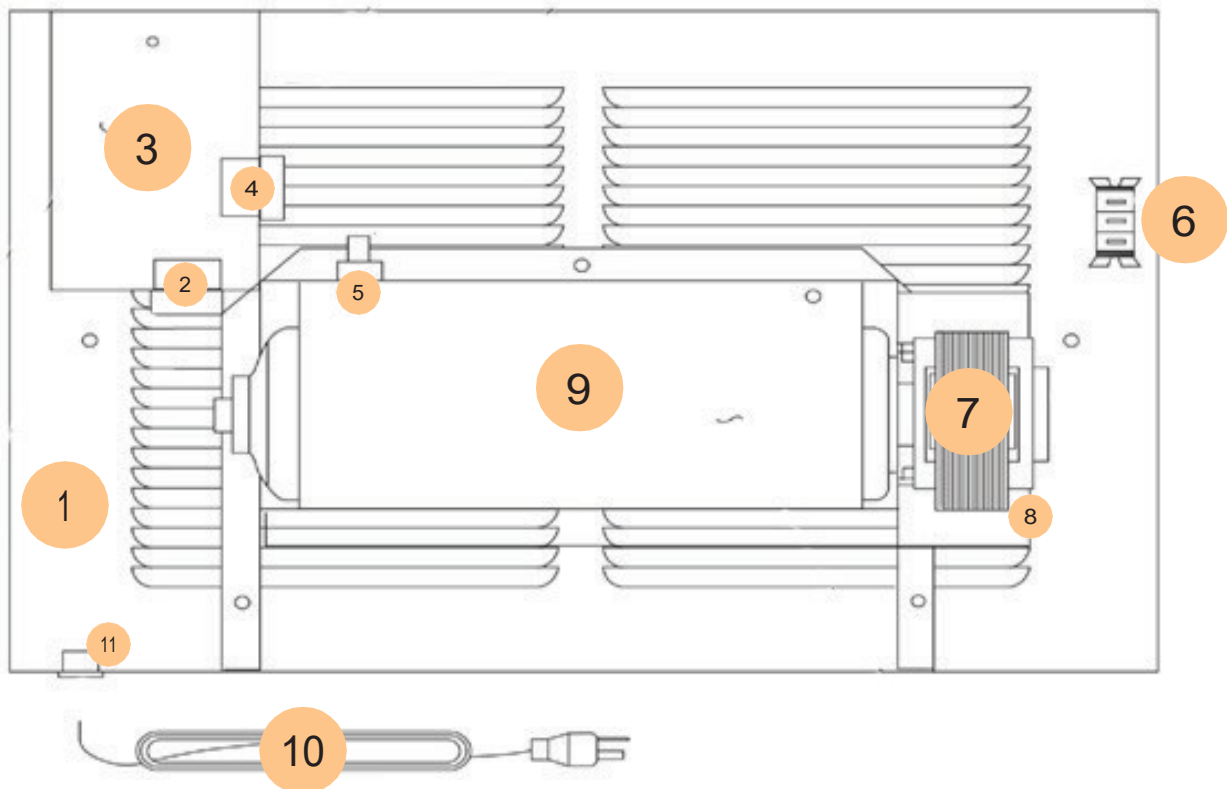
MOTORIZED REAR OUTLET REPLACEMENT PARTS

MODEL NUMBERS	
6919	6920

REF. NO.	REPLACEMENT PART DESCRIPTION	6919	6920
1	Register Assembly	9B269	9B285
2	Strain Relief Bushing	P500185	P500185
3	J-Box Cover	9A427	9A427
4	Strain Relief Bushing	P603108	P603108
5	Heat Sensor Switch	P323172	P323172
6	Fan Switch	P323080	P323080
7	Motor and Blower	P323423	P323423
8	Motor cover	9A435	9A462
9	Motor Housing Back Plate	9B266	9B284
10	Cord and Plug	P323081	P323081
11	Bushing	P323084	P323084

Use only manufacturer's authorized parts.

NOTE: Nuts, bolts, screws, and washers are standard hardware items and may be purchased locally.

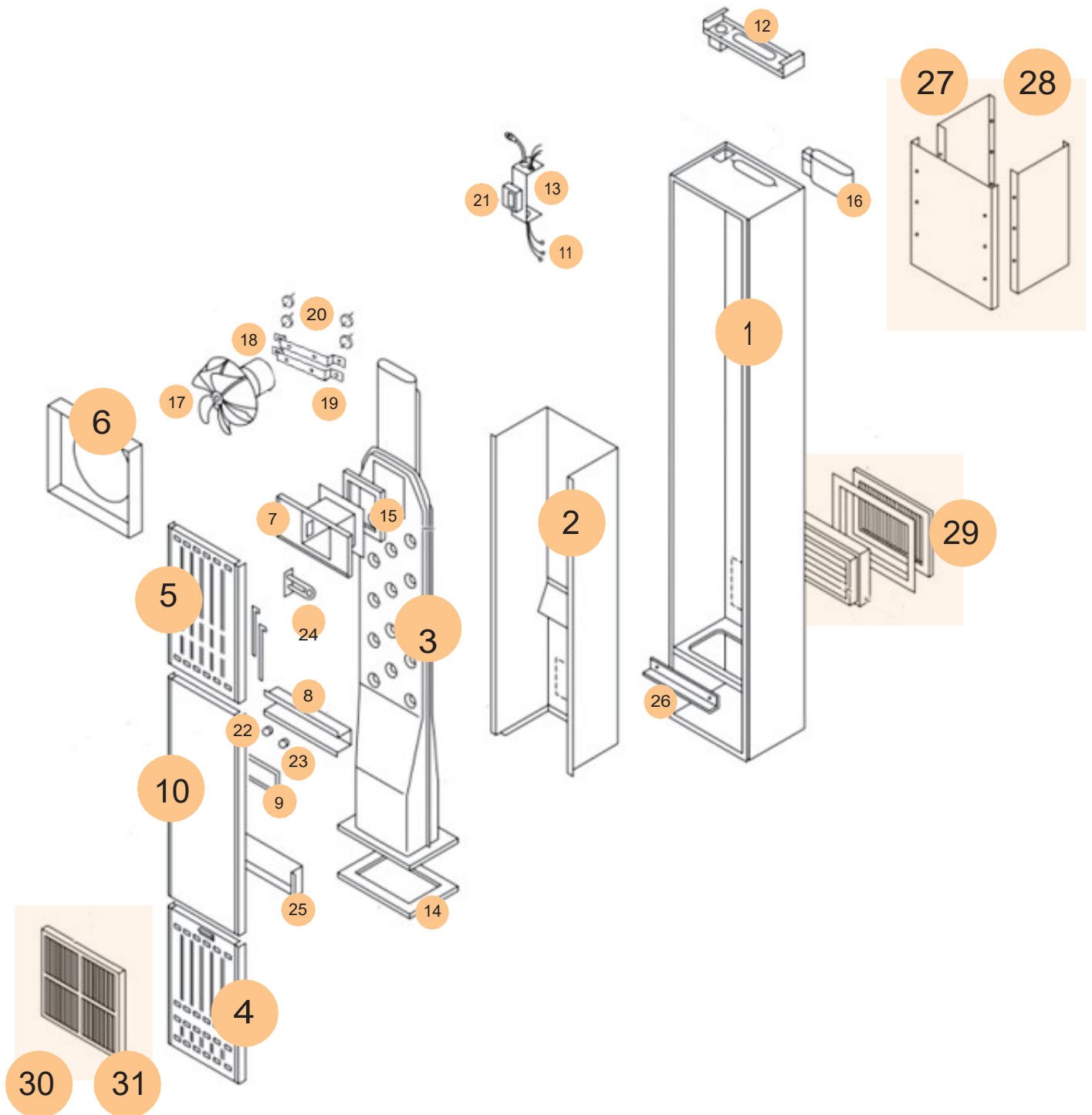


FORSAIRE™ COUNTERFLOW TOP VENT FURNACE

PART NUMBERS FOR 350 MODEL

TOP VENT COUNTERFLOW			
NATURAL		PROPANE	
3508232		3508632	
3508231		3508631	
REF. NO.	REPLACEMENT PART DESCRIPTION	3508232 / 3508231 / 3508632 / 3508631	
1	Outer Casing, Less Front Panel	12C10	
2	Inner Liner	12B15	
3	Heating Element	12C26	
4	Bottom Front Panel	12B49	
5	Top Front Panel	12B50	
6	Fan Shroud	12B03-1	
7	Opening Pan	12B12	
8	Switch Box	11B05	
9	Switch Box Cover	11C68	
10	Center Front Panel	12C21	
11	Internal Wires (All Except Ign. Control)	3508231	
12	Header Plate	7B57	
13	Junction Box	12B05	
14	Gasket-Element Base	P026500	
15	Draft Hood Gasket	P107900	
16	Flue Collar Gasket	7A22	
17	Fan Blade	P300500	
18	Motor	P322544	
19	Motor Support (2 Req.)	7B46	
20	Vibration Isolators (4 Req.)	P022800	
21	Transformer 115V-24V	P024200	
22	Limit Switch	P309600	
23	Fan Switch	P200200	
24	Limit Switch	7735	
25	Deflector Baffle Handle	11C63	
26	Lower Element Base Angle	7A117	
27	KIT 12" Vent Enclosure	9812	
28	KIT 24" Vent Enclosure	9824	
29	KIT Rear Grille, Two-Way	6802	
30	KIT Diffusing Grille - Two-Way	6703	
31	KIT Diffusing Grille - One-Way	6704	

EXPLODED VIEW & REPLACEMENT PARTS

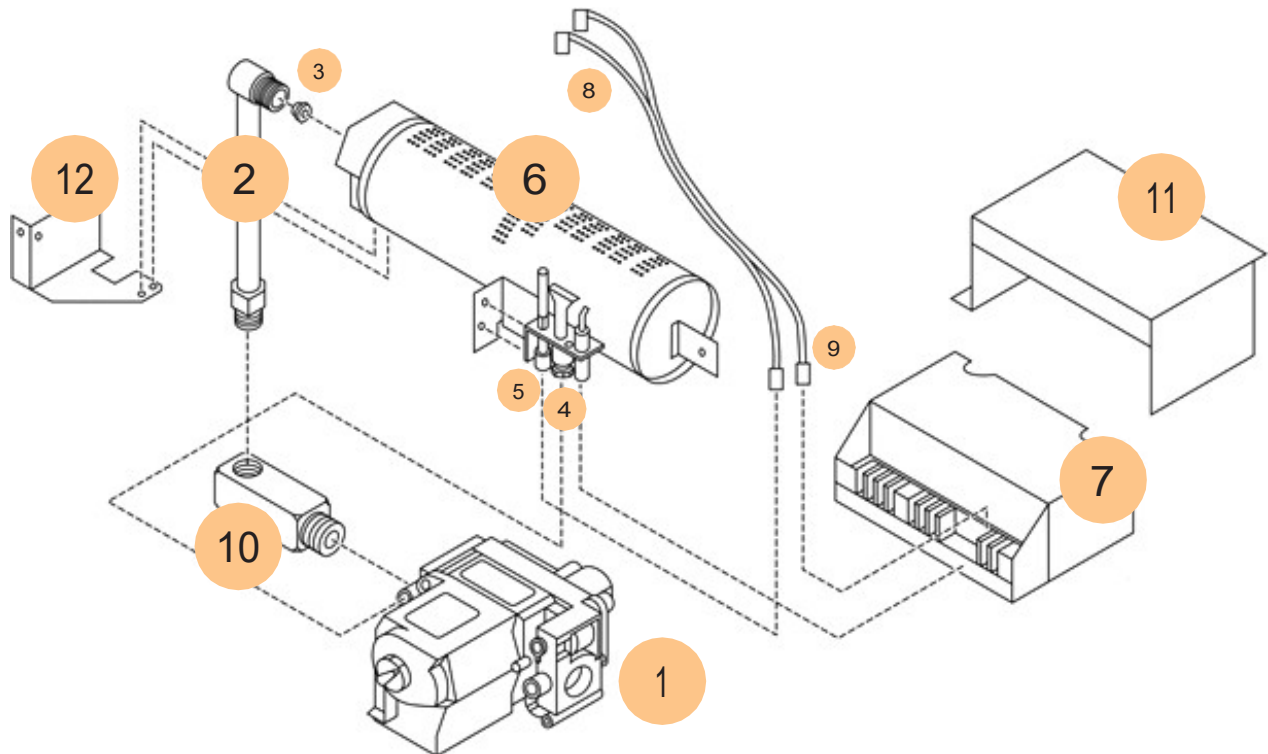


Thermostat not included with these models.

FORSAIRE™ COUNTERFLOW TOP VENT FURNACE

CONTROL ASSEMBLY REPLACEMENT PARTS 350 MODELS **INTERMITTENT IGNITION**

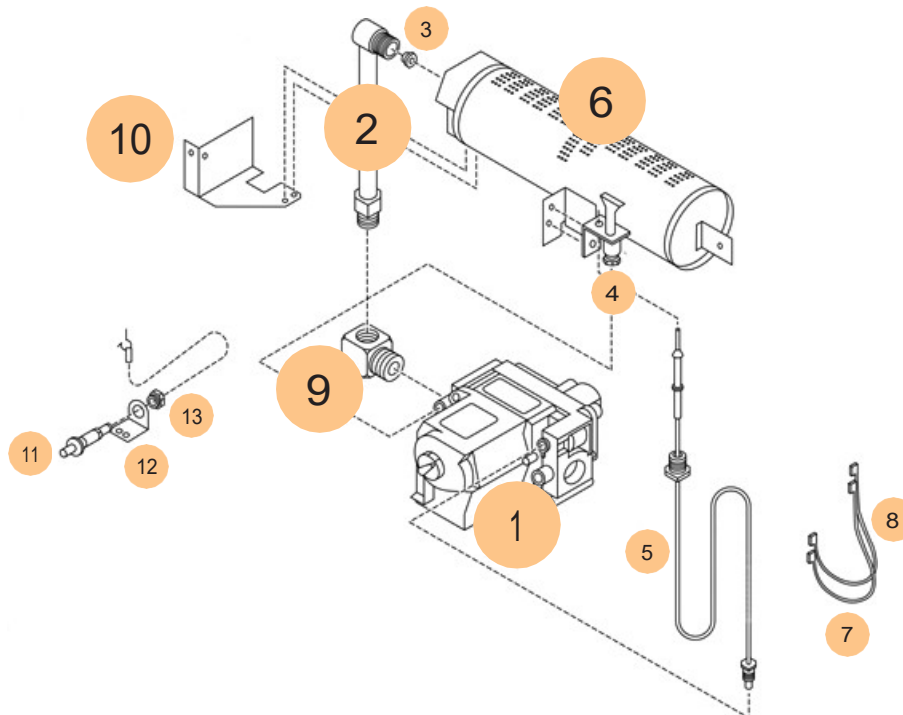
MODEL NUMBERS			
NATURAL		PROPANE	
3508232		3508231	
REF. NO.	REPLACEMENT PART DESCRIPTION	3508232	3508231
1	Valve, Natural Gas	P323210	-
	Valve, Liquid Propane Gas	-	P322044
2	Manifold	P323657	P323657
3	Orifice Fitting, Specify Model & Gas Type	P090536	P090550
4	Pilot, Natural Gas	P323418	-
	Pilot, Liquid Propane Gas	-	P323419
5	Thermocouple	-	-
	Flame Sensor	P271100	P271100
6	50mm BURNER	P323648	P323648
7	Ignition Control Unit	P321900	P321900
8	Wire Assembly	P321935/35A	P321935/35A
9	Ignition Control Wires	31B036	31B036
10	Manifold Adapter	P321887	P321887
11	Ignition Shield	11B155	11B155
12	Front Burner Bracket	9B234	9B234



FORSAIRE™ COUNTERFLOW TOP VENT FURNACE

CONTROL ASSEMBLY REPLACEMENT PARTS 350 MODELS **STANDARD PILOT**

MODEL NUMBERS			
NATURAL		PROPANE	
3508632		3508631	
REF. NO.	REPLACEMENT PART DESCRIPTION	3508632	3508631
1	Valve, Natural Gas	P323209	-
	Valve, Liquid Propane Gas	-	P322042
2	Manifold	P323657	P323657
3	Orifice Fitting, Specify Model & Gas Type	P090536	P090550
4	Pilot, Natural Gas	P323074	-
	Pilot, Liquid Propane Gas	-	P323073
5	Thermocouple	P233100	-
	Flame Sensor	-	-
6	50mm BURNER	P323648	P323648
7	Wire Assembly	P321935/35A	P3219535/35A
8	Ignition Control Wires	-	-
9	Manifold Adapter	P321888	P321888
10	Front Burner Bracket	9B234	9B234
11	Manual Spark Igniter	P285500	P285500
12	Piezo Igniter Bracket	7A189	7A189
13	Pal Nut	P285501	P285501



FORSAIRE™ COUNTERFLOW TOP VENT FURNACE

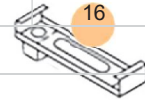
PART NUMBERS FOR THE 500 / 650 MODELS

TOP VENT COUNTERFLOW					
NATURAL			PROPANE		
5008632	5508232	6508632	5008631	5508231	6508631

REF. NO.	REPLACEMENT PART DESCRIPTION	5008632 / 5008631	5508232 / 5508231	6508632 / 6508631
1	Outer Casing, Less Front Panel	7C55-2	-	-
2	Inner Liner	11B46	7B79	7B79
3	Heating Element	7C116	7C68	7C117
4	Relief Opening Pan	7B108	7B107	7B108
5	Top Front Panel	7B126	7B126	7B126
6	Center Front Panel	11C60	11C59	11C59
7	Switch Box	11B05	11B05	11B05
8	Limit Switch	P200300	P296001	P309600
9	Selector Switch	P213400	P296201	P296201
10	Fan Switch	P200200	P200200	P200200
11	Bottom Front Panel	11B158	11B158	11B158
12	Element Base Gasket	P026500	P026500	P026500
13	Fan Shroud	7B106	7B106	7B106
14	Relief Pan Gasket	P028300	P028300	P028300
15	Flue Collar Gasket	7A22	7A22	7A22
16	Header	7B57	7B57	7B57
17	Limit Switch	7735	7735	7735
18	Switch Box Cover	11C68	11C68	11C68
19	Lower Element Base Angle	7A117	7A117	7A117
20	Transformer, 115V/24V	P024200	P024200	P024200
21	Junction Box	7B29	7B29	7B29
22	Internal Wires (All Except Ign. Control)	5008632	5008232	6508632
23	Vibration Isolators (4 Req.)	P022800	P022800	P022801
24	Motor Support (2 Req.)	7B46	7B46	7B46
25	Motor	P062101	P062101	P321601
26	Motor Fan Blade	P200600	P200600	7B111
27	Deflector Baffle Handle	11C63	11C63	11C63
28	KIT 12" Vent Enclosure Kit*	9812	9812	9812
29	KIT 24" Vent Enclosure Kit	9824	9824	9824

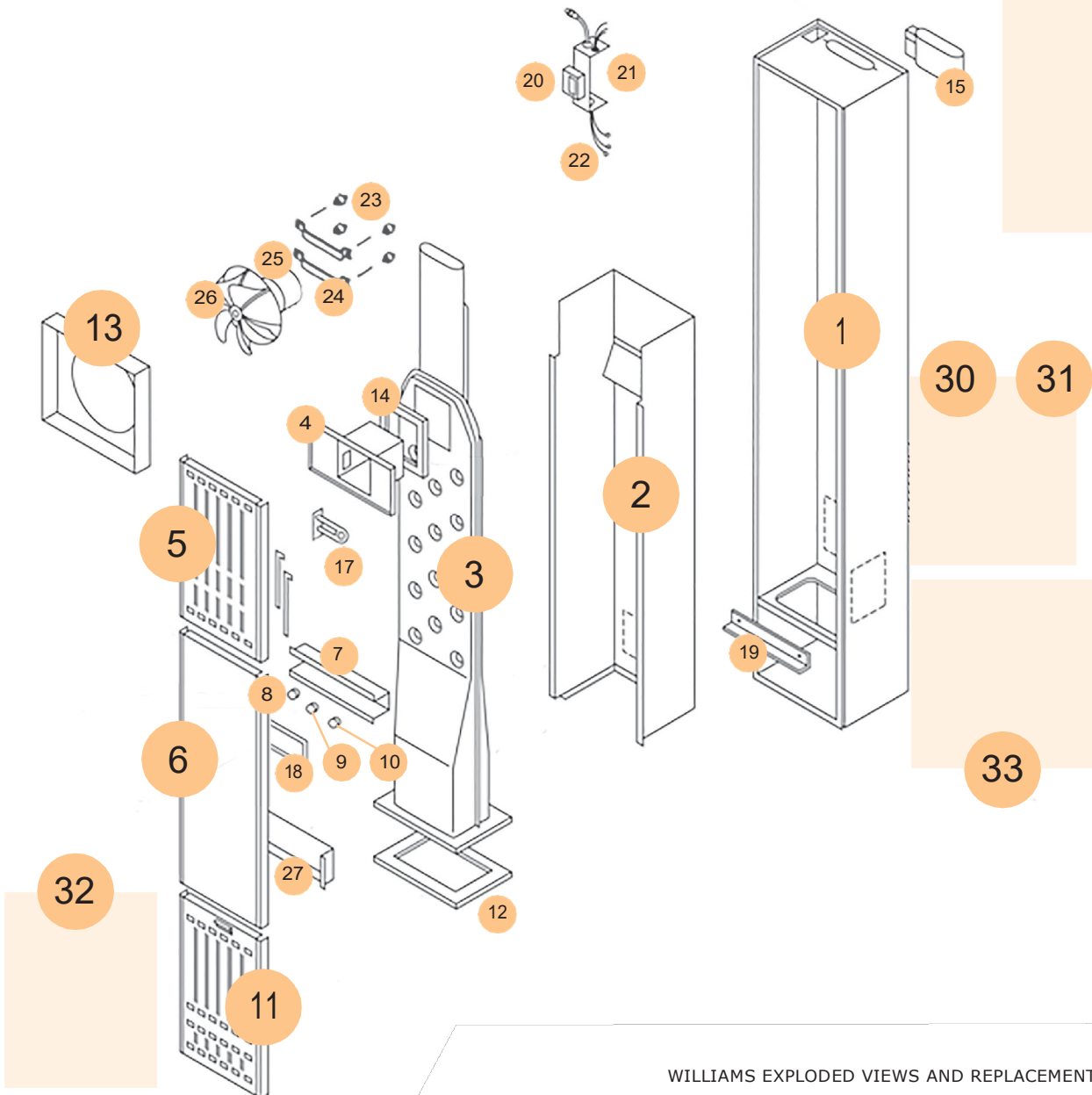
REF. NO.	REPLACEMENT PART DESCRIPTION	5008632 / 5008631	5508232 / 5508231	6508632 / 6508631
30	KIT Rear Grille, Two-Way, outer boot 10" long, inner boot 10 3/4" long	6801	6801	6801
31	KIT Rear Grille, Two-Way, outer boot 7/8" long, inner boot 1 5/8" long	6802	6802	6802
32	KIT Diffusing Grille Kit (Two-Way) Diffusing Grille Kit (One-Way)	6703 6704	6703 6704	6703 6704
33	KIT Side inner Boot, 10 3/4" long Side Outlet Register Kit 10" long Side Plaster Ground Side Grille	6701	6701	6701

Thermostat not included with these models.



28

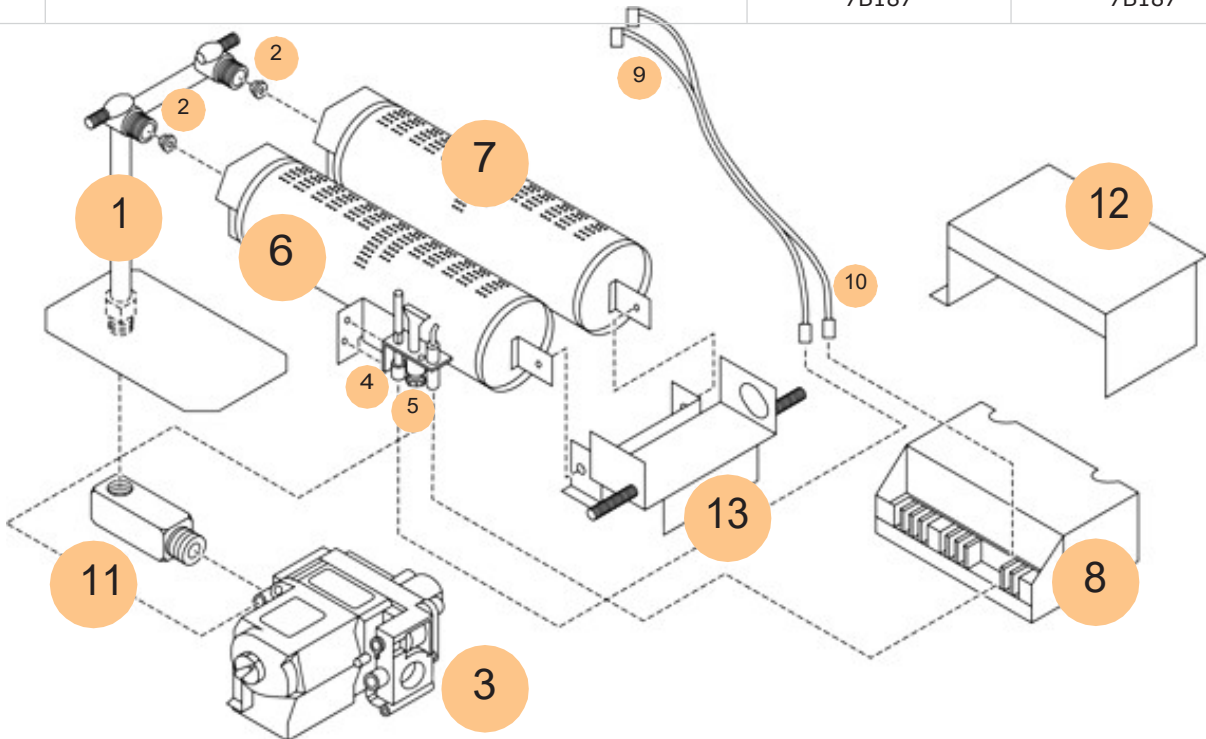
29



FORSAIRE™ COUNTERFLOW TOP VENT FURNACE

CONTROL ASSEMBLY REPLACEMENT PARTS 500 / 650 MODELS **INTERMITTENT IGNITION**

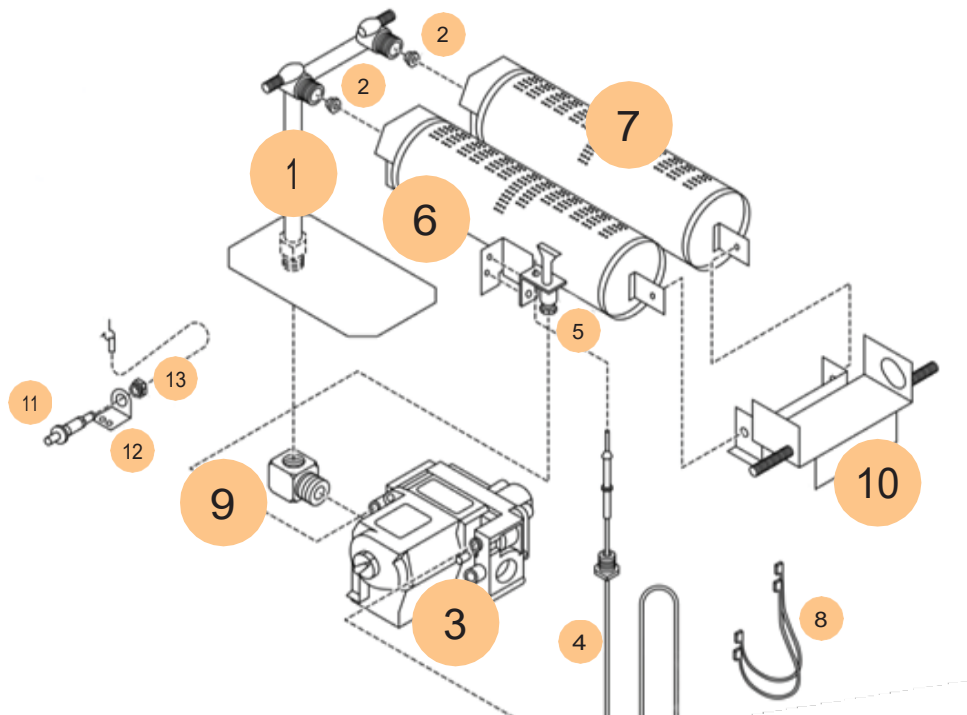
MODEL NUMBERS			
NATURAL		PROPANE	
5508232		5508231	
REF. NO.	REPLACEMENT PARTS DESCRIPTION	5508232	5508231
1	Manifold	P323656	P323656
2	Orifice Fitting, Specify Model and Gas (2 Req.)	P332622	P332620
3	Valve, Natural Gas	P323210	-
	Valve, Liquid Propane Gas	-	P322044
4	Thermocouple	P322042	-
	Flame Sensor	P233100	P271100
5	Pilot, Liquid Propane Gas	P323073	P322680
6	50mm Burner (with pilot bracket)	P323648	P323648
7	50mm Burner (without pilot bracket)	P323649	P323649
8	Ignition Control Unit	P321900	P321900
9	Wire Assembly	P322048/48A	P322048/48A
10	Ignition Control Wires	31B036	31B036
11	Manifold Adapter	P321887	P321887
12	Ignition Shield	11B155	11B155
13	Burner Mounting R.H. Bracket Assembly	7B187	7B187



FORSAIRE™ COUNTERFLOW TOP VENT FURNACE

CONTROL ASSEMBLY REPLACEMENT PARTS 500 / 650 MODELS **STANDARD PILOT**

MODEL NUMBERS					
NATURAL		PROPANE			
5008632		650832		6508631	
REF. NO.	REPLACEMENT PARTS DESCRIPTION	5008632	5008631	650832	6508631
1	Manifold	P323656	P323656	P323656	P323656
2	Orifice Fitting, Specify Model and Gas (2 Req.)	P090542	P332619	P090536	P090551
3	Valve, Natural Gas	P323209	-	P323209	-
	Valve, Liquid Propane Gas	-	P322042	-	P322042
4	Thermocouple	P233100	P233100	P233100	P233100
5	Pilot, Natural Gas	P323074	-	P323074	-
	Pilot, Liquid Propane Gas	-	P323073	-	P323073
6	50mm Burner (with pilot bracket)	P323648	P323648	P323648	P323648
7	50mm Burner (without pilot bracket)	P323649	P323649	P323649	P323649
8	Wire Assembly	P322048/48A	P322048/48A	P322048/48A	P322048/48A
9	Manifold Adapter	P321888	P321888	P321888	P321888
10	Burner Mounting R.H. Bracket Assembly	7B187	7B187	7B187	7B187
11	Manual Spark Igniter	P285500	P285500	P285500	P285500
12	Piezo Igniter Bracket	7A303	7A303	7A303	7A303
13	Pal Nut	P285501	P285501	P285501	P285501



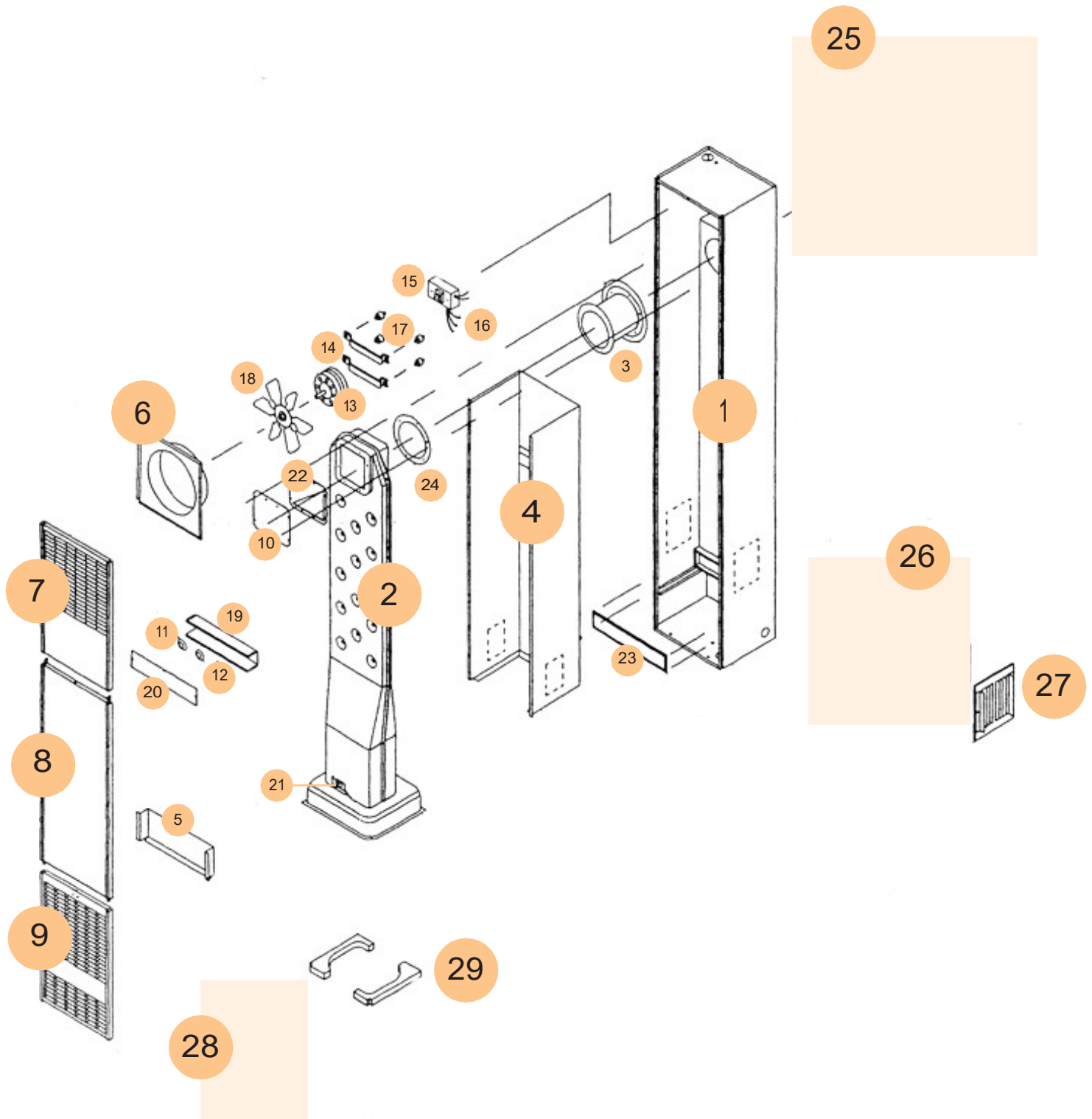
FORSAIRE™ COUNTERFLOW DIRECT VENT FURNACE

FURNACE ASSEMBLY REPLACEMENT PARTS 400 MODELS

MODEL NUMBERS			
4007332	4007331	4007732	4007731

REF. NO.	REPLACEMENT PART DESCRIPTION	4007332	4007331	4007732	4007731
1	Outer Casing with Air Pan	11C42-2	11C42-2	11C42-2	11C42-2
2	Heating Element	11C67	11C67	11C67	11C67
3	Element Tube	11C37	11C37	11C37	11C37
4	Inner Liner	11B46	11B46	11B46	11B46
5	Deflector Baffle Handle	11C63	11C63	11C63	11C63
6	Fan Shroud	11B86	11B86	11B86	11B86
7	Top Front Panel	11B102	11B102	11B102	11B102
8	Center Front Panel	11C62	11C62	11C62	11C62
9	Bottom Front Panel	11B103	11B103	11B103	11B103
10	Element Face Cover	11A103	11A103	11A103	11A103
11	Limit Switch	P200300	P200300	P200300	P200300
12	Fan Switch	P200200	P200200	P200200	P200200
13	Motor	P151101	P151101	P151101	P151101
14	Motor Support (2 Req.)	7B46	7B46	7B46	7B46
15	Transformer	P024200	P024200	P024200	P024200
16	Internal Wires (except for 4007332/4007331)	11A152	11A152	11A152	11A152
17	Vibration Isolator (4 Req.)	P022800	P022800	P022800	P022800
18	Fan Blade	P200600	P200600	P200600	P200600
19	Switch Box	11B05	11B05	11B05	11B05
20	Switch Box Cover	11C68	11C68	11C68	11C68
21	Observation Door Assembly	12B40	12B40	12B40	12B40
22	Element Face Gasket	P200900	P200900	P200900	P200900
23	Air Pan Tunnel Gasket	P151900	P151900	P151900	P151900
24	Seal Gasket	P103100	P103100	P103100	P103100
25	KIT Venting Kit	9802	9802	9802	9802
26	KIT Side Outlet Kit	6701	6701	6701	6701
27	KIT Side Casing Grille	6702	6702	6702	6702
28	KIT Diffusing Grille - Two-Way	6703	6703	6703	6703
	KIT Diffusing Grille - One-Way	6704	6704	6704	6704
29	Gasket, Burner Pan (2 Req.)	P321020	P321020	P321020	P321020
Thermostat not included with these models.					

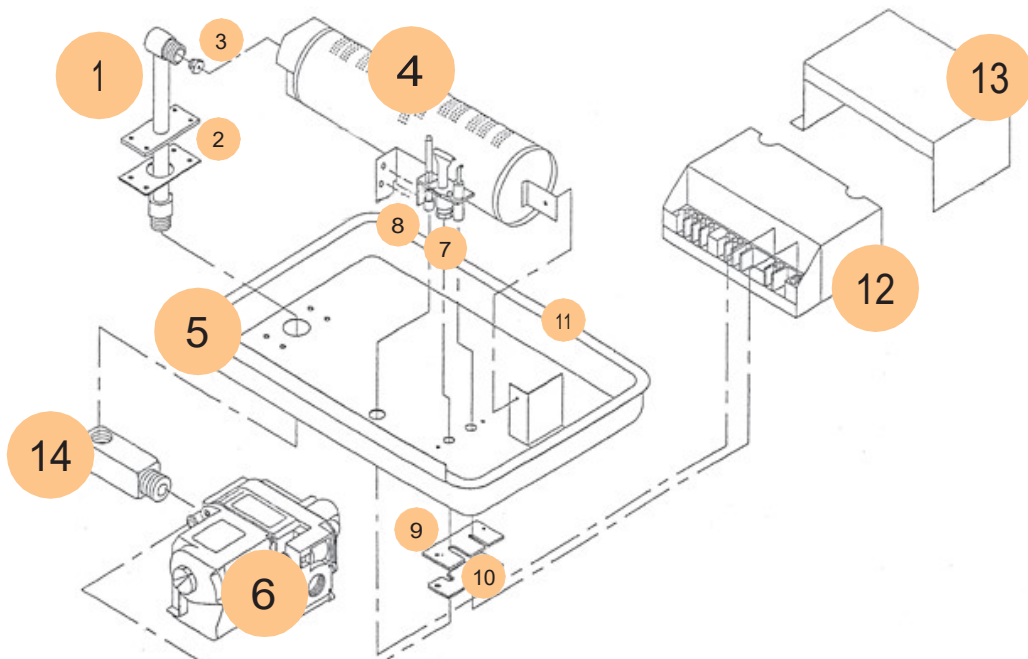
EXPLODED VIEW & REPLACEMENT PARTS



FORSAIRE™ COUNTERFLOW DIRECTVENT FURNACE

CONTROL ASSEMBLY REPLACEMENT PARTS 400 MODELS **INTERMITTENT IGNITION**

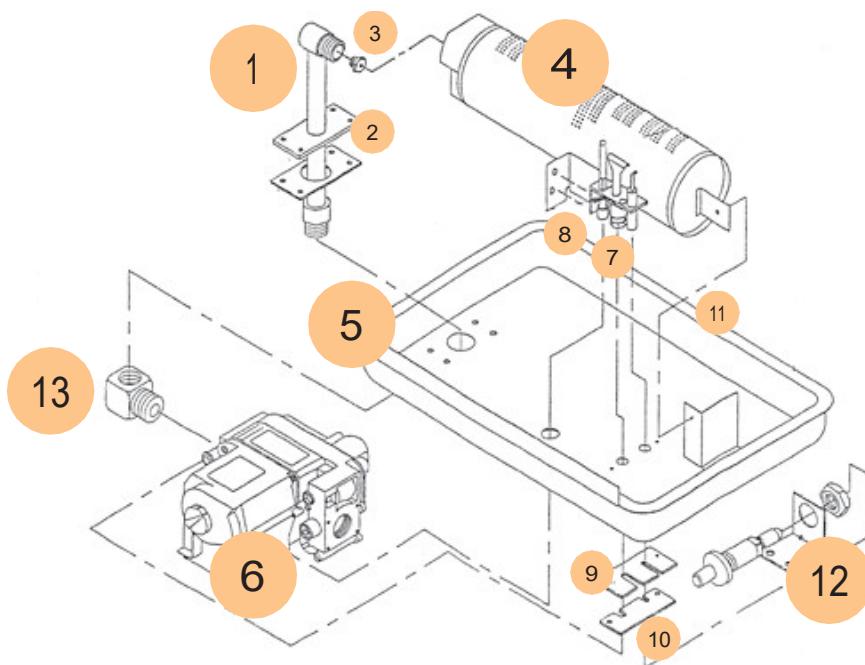
MODEL NUMBERS			
NATURAL		PROPANE	
4007332		4007331	
REF. NO.	REPLACEMENT PART DESCRIPTION	4007332	4007331
1	Manifold	P323653	P323653
2	Manifold Gasket	P151700	P151700
3	Orifice Fitting, Specify Model & Gas	P090532	P090548
4	50mm Burner	P323648	P323648
5	Burner Pan	11B133	11B133
6	Williams Valve	P323210	P322044
7	Pilot, Natural	P323418	---
	Pilot, Propane	---	P323419
8	Thermocouple	---	---
	Flame Sensor	P271100	P271100
9	Pilot Tube Gasket	P151800	P151800
10	Pilot Tube Seal	11A41	11A41
11	Gasket - 44 inch	P101600	P101600
12	Ignition Control Unit	P321900	P321900
13	Ignition Shield	11B139	11B139
14	Manifold Adapter	P321887	P321887
NOT SHOWN	Ignition Control Wires	31B036	31B036



FORSAIRE™ COUNTERFLOW DIRECT VENT FURNACE

CONTROL ASSEMBLY REPLACEMENT PARTS 400 MODELS **STANDARD PILOT**

MODEL NUMBERS			
NATURAL		PROPANE	
4007732		4007731	
REF. NO.	REPLACEMENT PART DESCRIPTION	4007732	4007731
1	Manifold	P323653	P323653
2	Manifold Gasket	P151700	P151700
3	Orifice Fitting, Specify Model & Gas	P090532	P090548
4	50mm Burner	P323648	P323648
5	Burner Pan	11B133	11B133
6	Williams Valve	P323209	P322042
7	Pilot, Natural	P323418	---
	Pilot, Propane	---	P323419
8	Thermocouple	P254000	---
	Flame Sensor	---	P271100
9	Pilot Tube Gasket	P151800	P151800
10	Pilot Tube Seal	11A41	11A41
11	Gasket - 44 inch	P101600	P101600
12	Piezo Gas Lighter	P285500	---
13	Manifold Adapter	P321888	P321887
NOT SHOWN	Ignition Control Wires	---	31B036



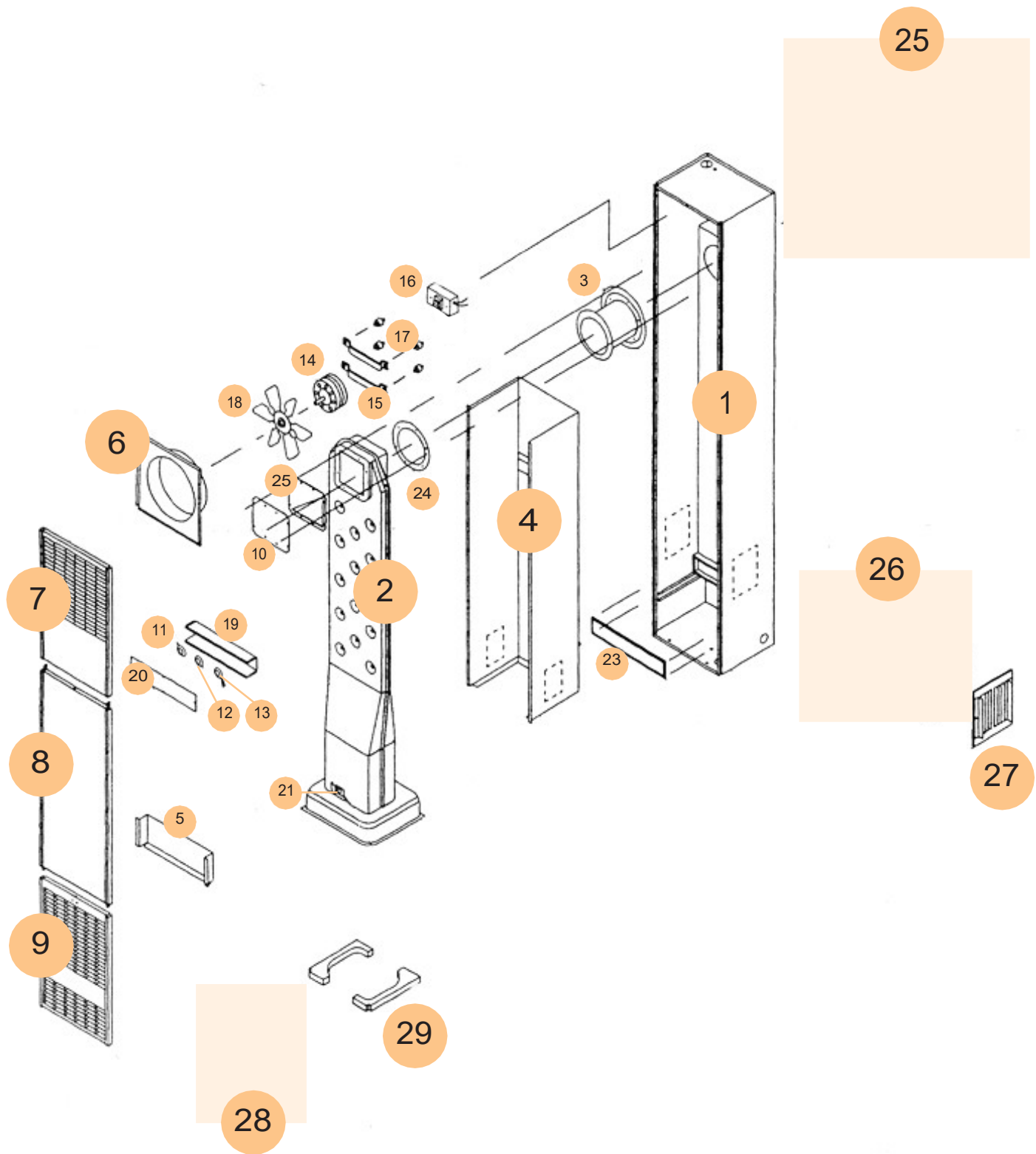
FORSAIRE™ COUNTERFLOW DIRECTVENT FURNACE

FURNACE ASSEMBLY REPLACEMENT PARTS 550 MODELS

MODEL NUMBERS			
5507332		5507331	
REF. NO.	REPLACEMENT PART DESCRIPTION	5507332	5507331
1	Outer Casing with Air Pan	11C42-1	11C42-1
2	Heating Element	11C66	11C66
3	Element Tube	11C37	11C37
4	Inner Liner	7B79	7B79
5	Deflector Baffle Handle	11C63	11C63
6	Fan Shroud	11B86	11B86
7	Top Front Panel	11B102	11B102
8	Center Front Panel	11C59	11C59
9	Bottom Front Panel	11B103	11B103
10	Element Face Cover	11A103	11A103
11	Limit Switch	P296001	P296001
12	Selector Switch	P200400	P200400
13	Fan Switch	P200200	P200200
14	Motor	P062101	P062101
15	Motor Support (2 Req.)	7B46	7B46
16	Transformer	P024200	P024200
17	Vibration Isolator (4 Req.)	P022800	P022800
18	Fan Blade	P200600	P200600
19	Switch Box	11B05	11B05
20	Switch Box Cover	11C68	11C68
21	Observation Door Assembly	12B40	12B40
22	Element Face Gasket	P200900	P200900
23	Air Pan Tunnel Gasket	P151900	P151900
24	Seal Gasket	P103100	P103100
25	KIT Venting Kit	9802	9802
26	KIT Side Outlet Kit	6701	6701
27	KIT Side Casing Grille Kit	6702	6702
28	KIT Diffusing Grille Kit - Two-Way	6703	6703
	KIT Diffusing Grille Kit - One-Way	6704	6704
29	Gasket burner pan (2 Req.)	P321004	P321004

Thermostat not included with these models.

EXPLODED VIEW & REPLACEMENT PARTS

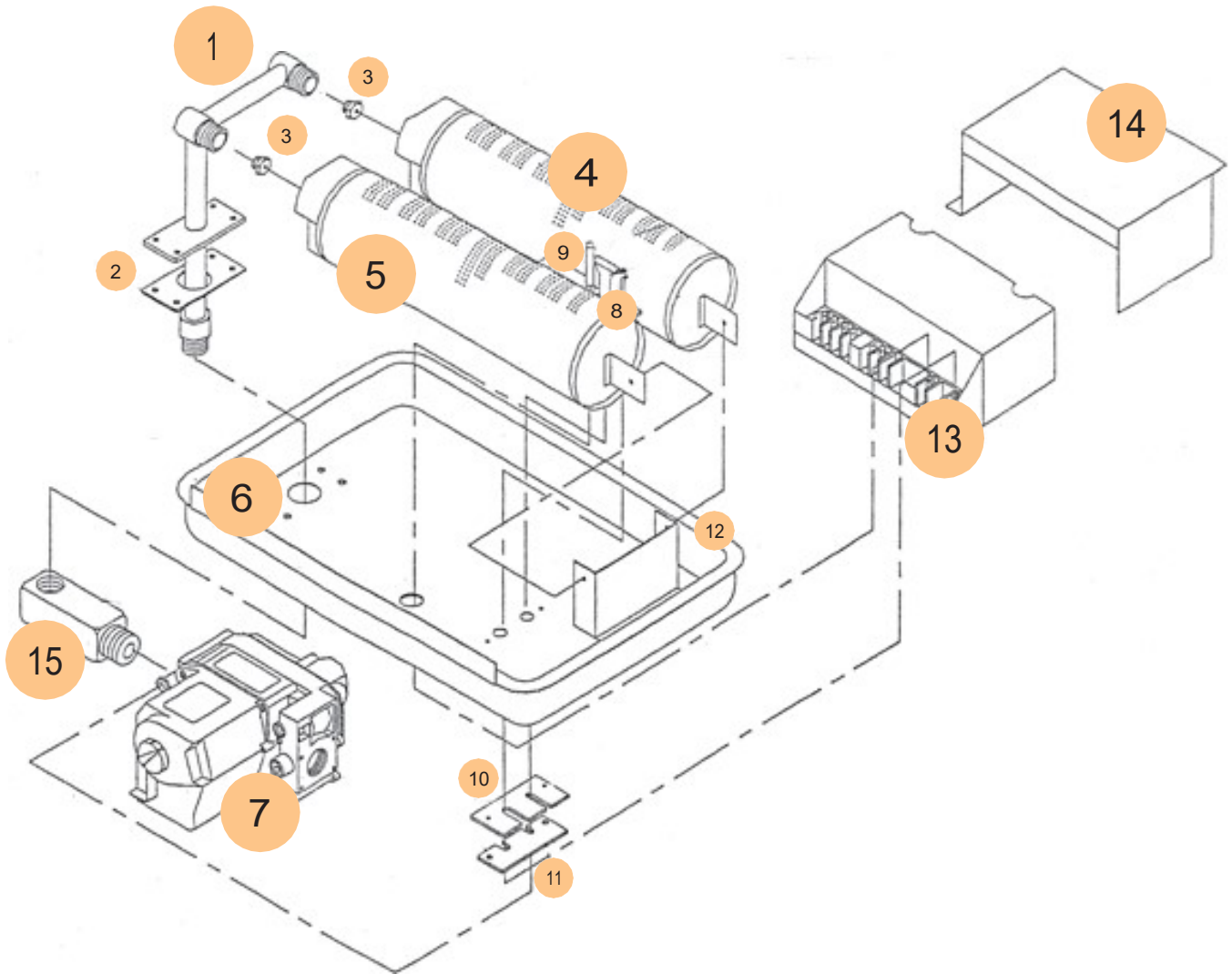


FORSAIRE™ COUNTERFLOW DIRECT VENT FURNACE

CONTROL ASSEMBLY REPLACEMENT PARTS 550 MODELS

MODEL NUMBERS			
NATURAL		PROPANE	
5507332		5507331	
REF. NO.	REPLACEMENT PARTS DESCRIPTION	5507332	5507331
1	Manifold	P323654	P323654
2	Manifold Gasket	P151700	P151700
3	Orifice Fitting, Specify Model & Gas (2)	P090541	P332621
4	50 mm Burner (With pilot bracket)	P323648	P323648
5	50 mm Burner (Without pilot bracket)	P323649	P323649
6	Burner Pan	11B134	11B156
7	Williams Valve	P323210	P322042
8	Pilot, Natural	P323418	-
	Pilot, Propane	---	P323419
9	Thermocouple	---	P254000
	Flame Sensor	P271100	---
10	Pilot Tube Gasket	P151800	P151800
11	Pilot Tube Seal	11A41	11A41
12	Gasket - 44 inch	P101600	P101600
13	Ignition Control Unit	P321900	---
14	Ignition Shield	11B139	---
15	Manifold Adapter	P321887	P321888
NOT SHOWN	Ignition Control Wires	31B036	---

EXPLODED VIEW & REPLACEMENT PARTS



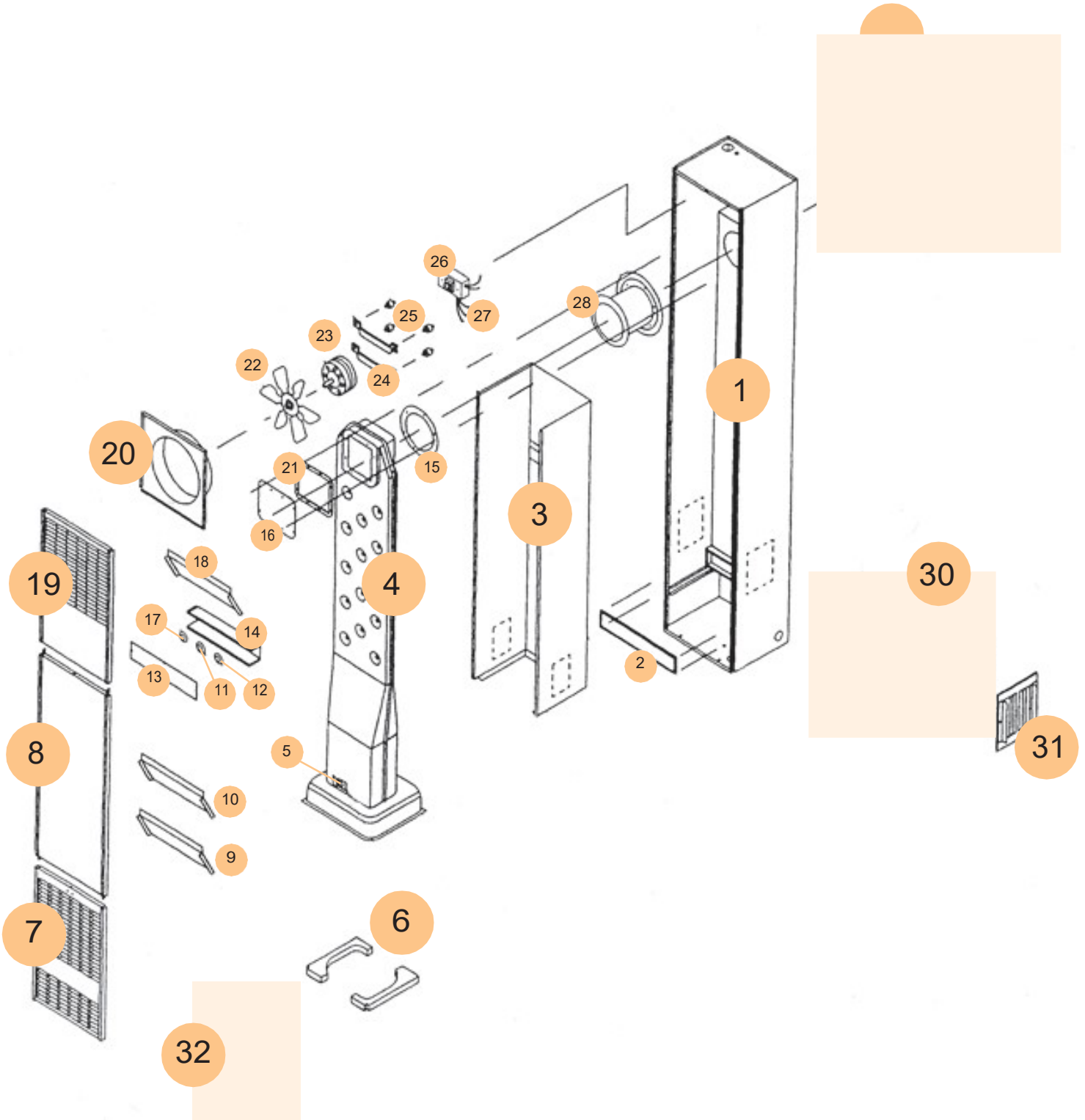
FORSAIRE™ COUNTERFLOW DIRECT VENT FURNACE

FURNACE ASSEMBLY REPLACEMENT PARTS 600 MODELS

MODEL NUMBERS	
6007732	6007731

REF. NO.	REPLACEMENT PART DESCRIPTION	6007732	6007731
1	Outer Casing with Air Pan	11C42-1	11C42-1
2	Air Pan Tunnel Gasket	P151900	P151900
3	Inner Liner	11B120	11B120
4	Heating Element	11C66	11C66
5	Observation Door Assembly	12B40	12B40
6	Burner Pan Gasket (2 Req.)	P321020	P321020
7	Bottom Front Panel	11B103	11B103
8	Center Front Panel	11C59	11C59
9	Bottom Air Deflector	11B123	11B123
10	Center Air Deflector	11B119	11B119
11	Selector Switch	P200400	P200400
12	Fan Switch	P200200	P200200
13	Switch Box Cover	11C68	11C68
14	Switch Box	11B05	11B05
15	Seal Gasket	P103100	P103100
16	Element Baffle	11B116	11B116
17	Limit Switch	P321942	P321942
18	Top Air Deflector	11B119	11B119
19	Top Front Panel	11B102	11B102
20	Fan Shroud	11B86	11B86
21	Element Face Gasket	P304000	P304000
22	Fan Blade	P200600	P200600
23	Motor	P321601	P321601
24	Motor Support (2 Req.)	7B46	7B46
25	Vibration Isolator (4 Req.)	P022800	P022800
26	Transformer	P024200	P024200
27	Internal Wires	6007732	6007731
28	Element Tube	11C37	11C37
29	KIT Venting Kit	9809	9809
30	KIT Side Outlet Kit	6701	6701
31	KIT Side Casing Grille	6702	6702

REF. NO.	REPLACEMENT PARTS DESCRIPTION	6007732	6007731
32	KIT Diffusing Grille - Two-Way	6703	6703
	KIT Diffusing Grille - One-Way	6704	6704
Thermostat not included with these models.			

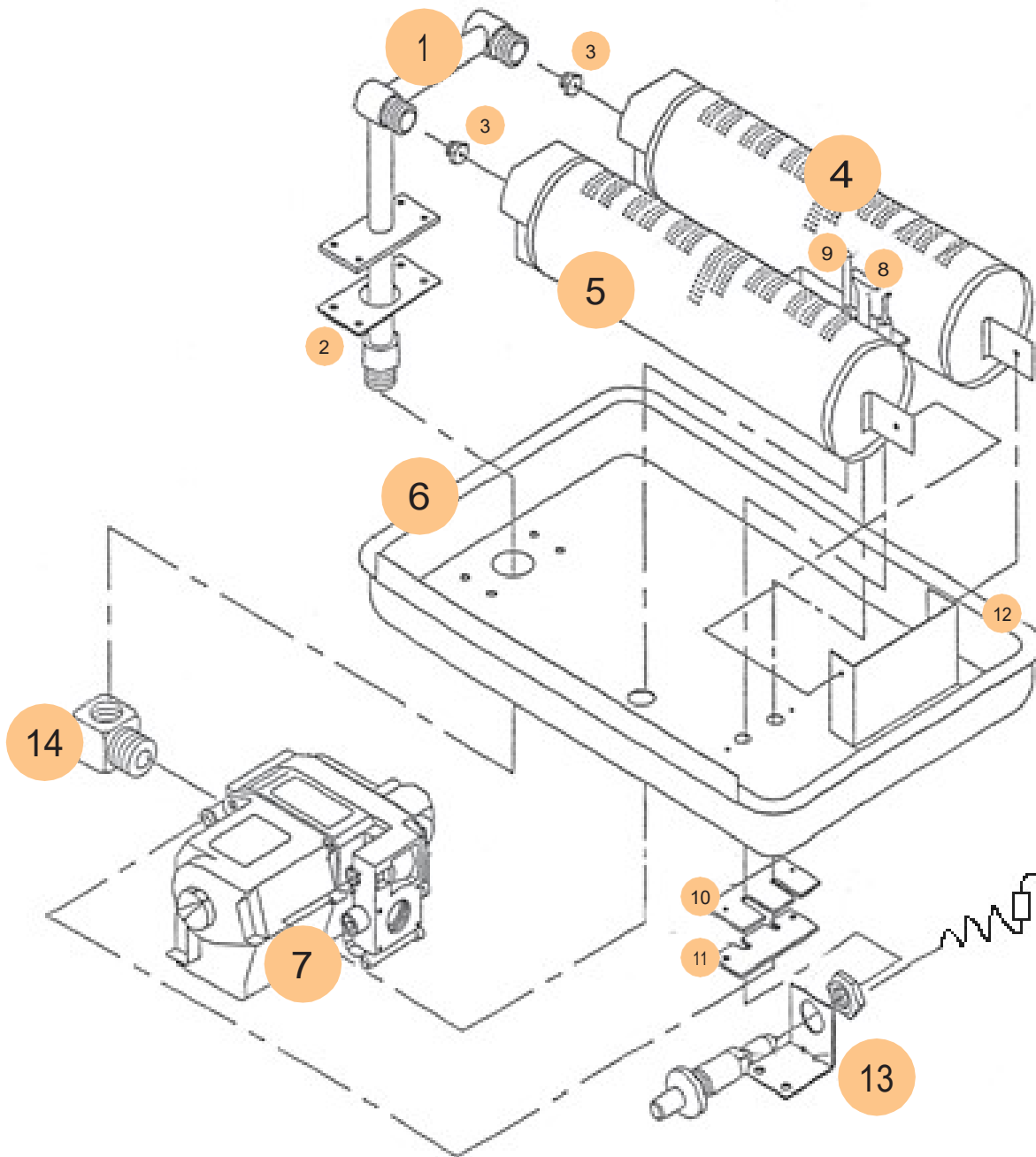


FORSAIRE™ COUNTERFLOW DIRECT VENT FURNACE

CONTROL ASSEMBLY REPLACEMENT PARTS 600 MODELS

MODEL NUMBERS			
NATURAL		PROPANE	
6007732		6007731	
REF. NO.	REPLACEMENT PARTS DESCRIPTION	6007732	6007731
1	Manifold	P323654	P323654
2	Manifold Gasket	P151700	P151700
3	Orifice Fitting, Specify Model & Gas (2)	P090538	P332621
4	50 mm Burner (With pilot bracket)	P323648	P323948
5	50 mm Burner (Without pilot bracket)	P32649	P323649
6	Burner Pan	11B156	11B156
7	Williams Valve	P323209	P322042
8	Pilot, Natural	P323418	-
	Pilot, Propane	-	P323419
9	Thermocouple	P254000	P254000
10	Pilot Tube Gasket	P151800	P151800
11	Pilot Tube Seal	11A41	11A41
12	Gasket - 44 inch	P101600	P101600
13	Piezo Gas Lighter	P285500	P285500
14	Manifold Adapter	P321888	P321888

EXPLODED VIEW & REPLACEMENT PARTS



MAGNUM FORSAIRE™ COUNTERFLOW TOP VENT FURNACE

FURNACE ASSEMBLY REPLACEMENT PARTS 600 MODELS

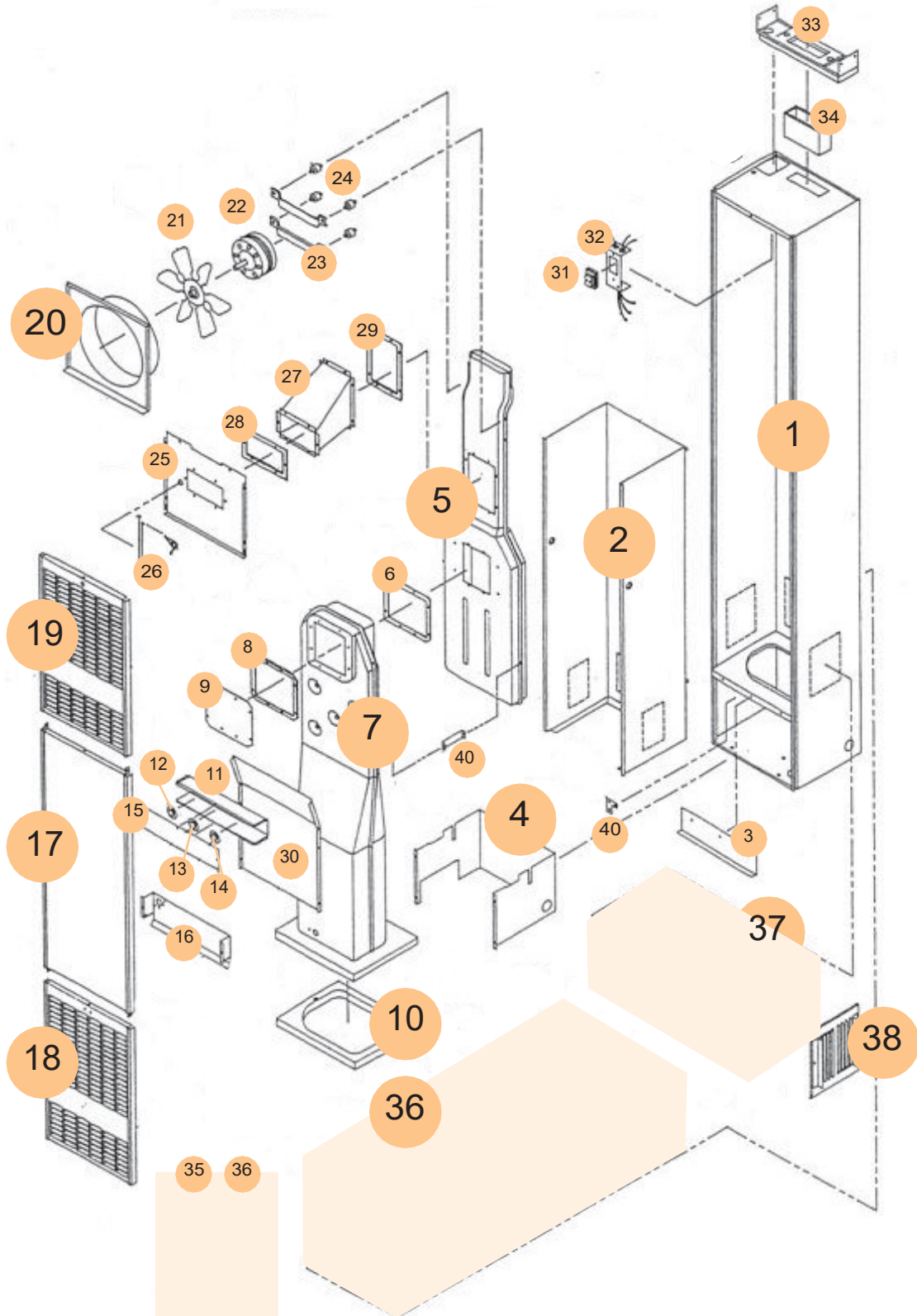
MODEL NUMBERS			
6008832		6008831	
REF. NO.	REPLACEMENT PART DESCRIPTION	6008832	6008831
1	Outer Casing (Less Front Panel)	7D18	7D18
2	Inner Liner	7B138	7B138
3	Lower Front Angle	7A117	7A117
4	Burner Shield	7B149	7B149
5	Second Chamber	7C86	7C86
6	Gasket, Chamber Union	P321919	P321919
7	Combustion Chamber	7B169	7B169
8	Gasket, Element Face	P321911	P321911
9	Element Faceplate	7A220	7A220
10	Gasket, Element Base	P321912	P321912
11	Switch Box	7B183	7B183
12	Limit Switch	P200300	P200300
13	Selector Switch	P296201	P296201
14	Fan Switch	P200200	P200200
15	Cover, Switch Box	11C68	11C68
16	Handle Deflector Baffle	11C63	11C63
17	Center Front Panel	7B136	7B136
18	Bottom Front Panel	7B171	7B171
19	Top Front Panel	7B147	7B147
20	Fan Shroud	7B170	7B170
21	Fan Blade	P200600	P200600
22	Motor	P321601	P321601
23	Motor Support	7B46	7B46
24	Vibration Isolator (4 required)	P022800	P022800
25	Drafthood Faceplate	7C85	7C85
26	Vent Safety Switch	P321958	P321958
27	Drafthood	7B165	7B165
28	Gasket, Drafthood Front	P322003	P322003

REF. NO.	REPLACEMENT PART DESCRIPTION	6008832	6008831
29	Gasket, Drafthood Rear	P322004	P322004
30	Heat Deflector	7C99	7C99
31	Transformer	P024200	P024200
32	Cover, Junction Box	7B155	7B155
33	Header	7B57	7B57
34	Flue Collar Gasket	7A22	7A22
35	KIT Diffusing Grille Kit Two-Way	6703	6703
	KIT Diffusing Grille Kit One-Way	6704	6704
36	KIT Side Outlet Kit Two-Way	6801	6801
37	KIT Side Outlet Kit One-Way	6701	6701
38	KIT Side Grill Inner Boot 1" Long	6702	6702
39	Hinge Wire Extension (2 Req.)	7A225	7A225
40	Support, Second Chamber	7A219	7A219
Thermostat not included with these models. - See exploded view illustration on next page.			

MAGNUM FORSAIRE™ COUNTERFLOW TOP VENT FURNACE

FURNACE ASSEMBLY REPLACEMENT PARTS 600 MODELS

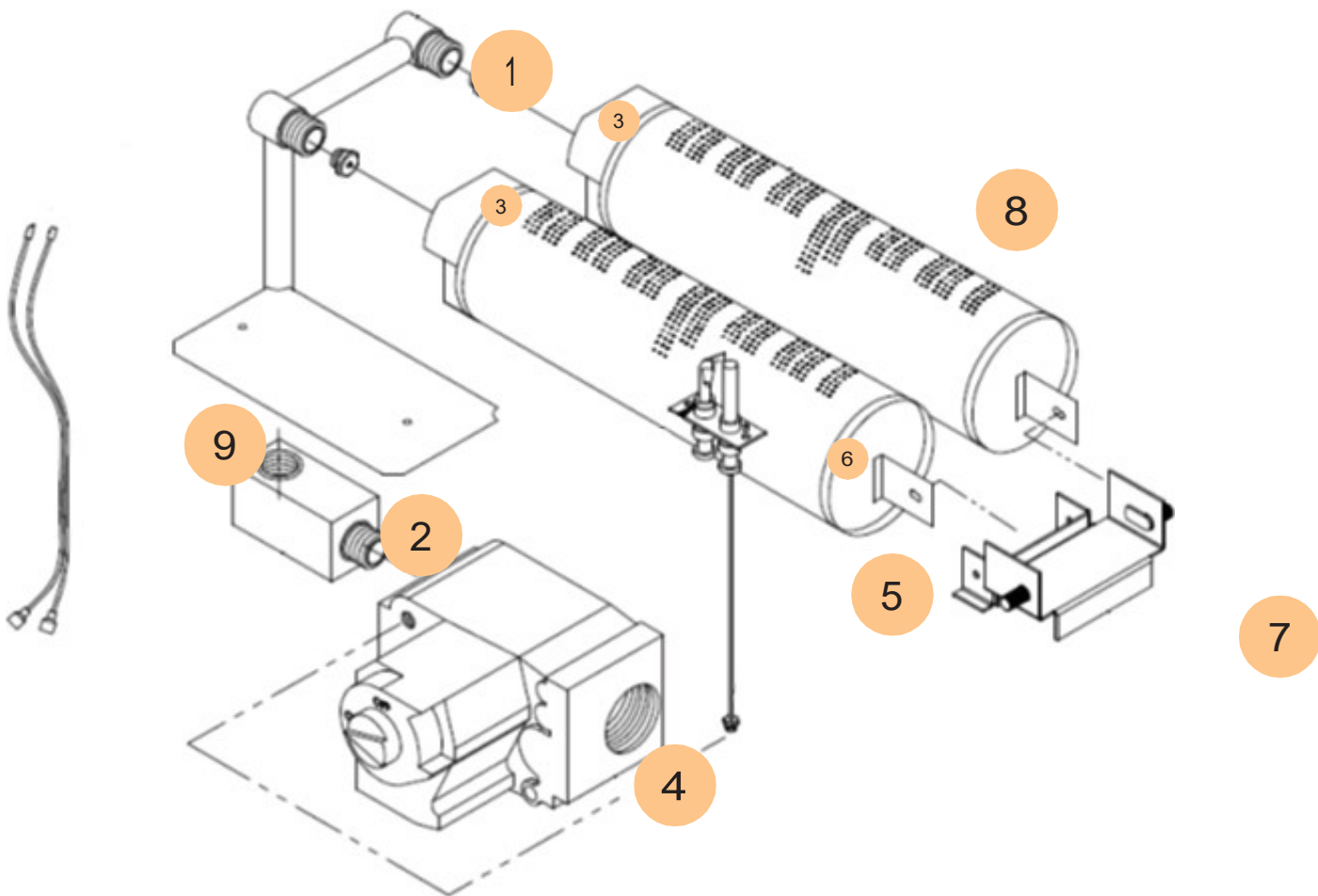
EXPLODED VIEW & REPLACEMENT PARTS



MAGNUM FORSAIRE™ COUNTERFLOW TOP VENT FURNACE

CONTROL ASSEMBLY REPLACEMENT PARTS 600 MODELS

MODEL NUMBERS			
NATURAL		PROPANE	
6008832		6008831	
REF. NO.	REPLACEMENT PART DESCRIPTION	6008832	6008831
1	Manifold	P323656	P323656
2	Manifold Adaptor	P321888	P321888
3	Orifice Fitting, Specify Gas Type & Input (2)	P090539	P332621
4	Gas Control Valve	P323209	P322042
5	Thermocouple	P233100	P233100
6	Pilot	P323074	P323073
7	Asy, Burner Mounting Bracket	7B187	7B187
8	Burner, Stainless Steel	12B56 / 12B57	12B56 / 12B57
9	Wire Assembly, Vent Safety	P322048 / P322048A	P322048 / P322048A



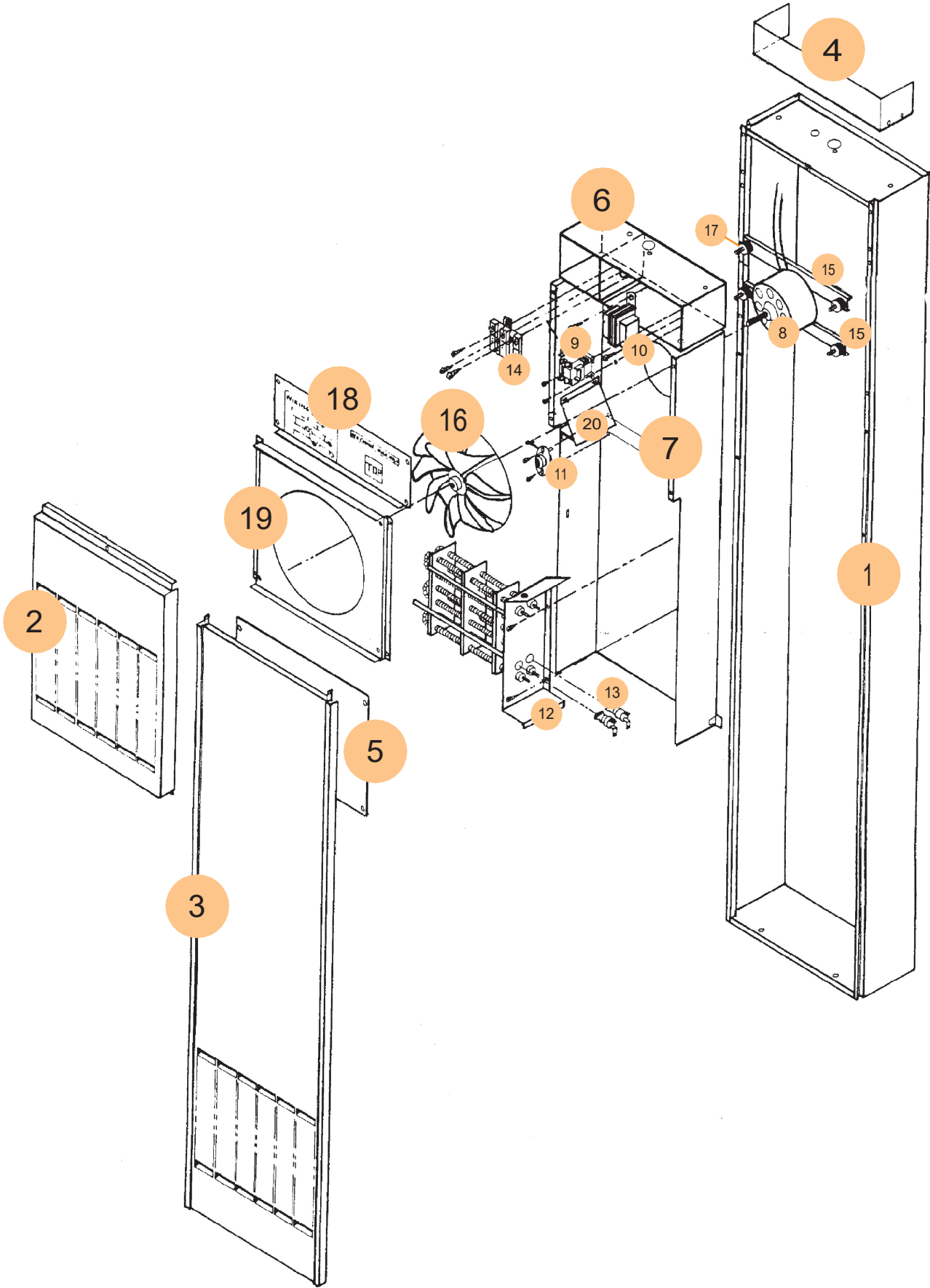
ELECTRIC FORSAIRE™ COUNTERFLOW FURNACE

FURNACE ASSEMBLY REPLACEMENT PARTS 300 MODELS

MODEL NUMBER	
3144030	

REF. NO.	REPLACEMENT PART DESCRIPTION	3144030
1	Outer Casing	16C01
2	Top Front Panel	16B01
3	Bottom Front Panel	16C03
4	Top Trim Cover	16A07
5	Element Cover	16A04
6	Junction Box Assembly	16B15
7	Element Casing Body Assembly	16C04
8	Motor	P021504
9	Relay	P154700
10	Transformer	P154802
11	Limit Switch	P323366
12	Heating Element	P155001
13	Fuse-Limiter (2 req.)	P323665
14	Terminal Block	P154400
15	Motor Support (2 req.)	16A06
16	Fan Blade	P200600
17	Vibration Isolator (4 req.)	P022800
18	Junction Box Cover	16A03
19	Orifice Plate	16B05
20	Side Baffle Assembly	16A18
Thermostat not included with these models.		

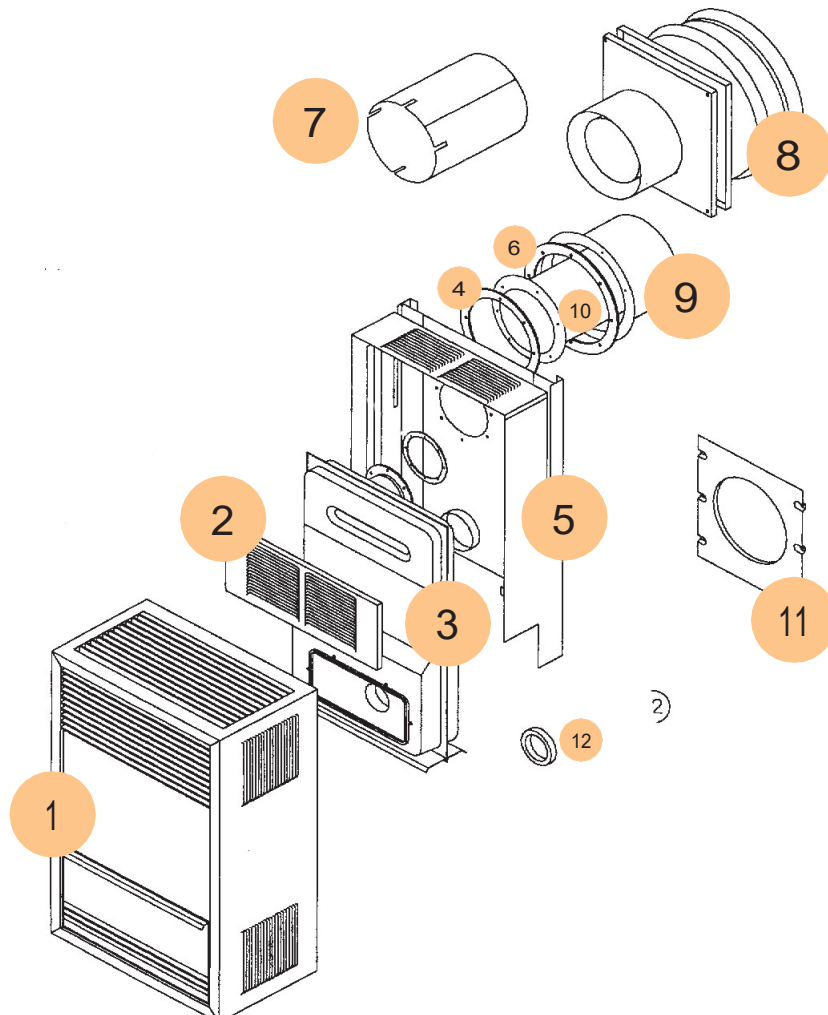
EXPLODED VIEW & REPLACEMENT PARTS



DIRECT VENT GRAVITY FURNACES

FURNACE ASSEMBLY REPLACEMENT PARTS 140 MODELS

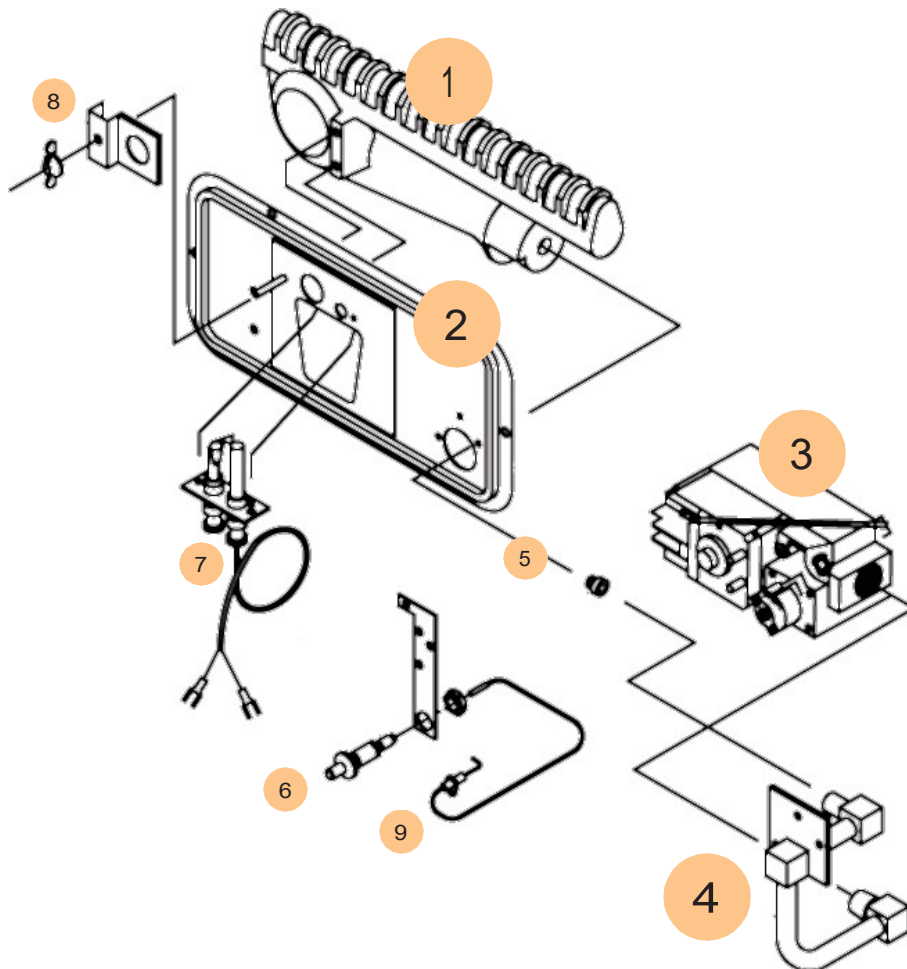
REF. NO.	REPLACEMENT PART DESCRIPTION	MODEL NUMBERS	
		NATURAL 1403822	PROPANE 1403821
1	Face Panel	4309	4309
2	Combustion Chamber Shield	8A72	8A72
3	Combustion Chamber	6303	6303
4	Flue Tube Gasket (2 Req.)	P147001/2	P147001/2
5	Inner Casing	8B62	8B62
6	Air Inlet Gasket	P147000	P147000
7	Air Inlet Shield (Standard Maximum 9" Thick Wall)	6C54-1	6C54-1
8	Vent Cap	9306	9306
9	Air Inlet Collar (Standard Maximum 9" Thick Wall)	6C60	6C60
10	Flue Extension (Standard Maximum 9' Thick Wall)	6A193	6A193
11	Mounting Spacer Plate	8B64	8B64
12	Air Inlet Gasket	P121800	P121800



DIRECT VENT GRAVITY FURNACES

CONTROL ASSEMBLY REPLACEMENT PARTS 140 MODELS

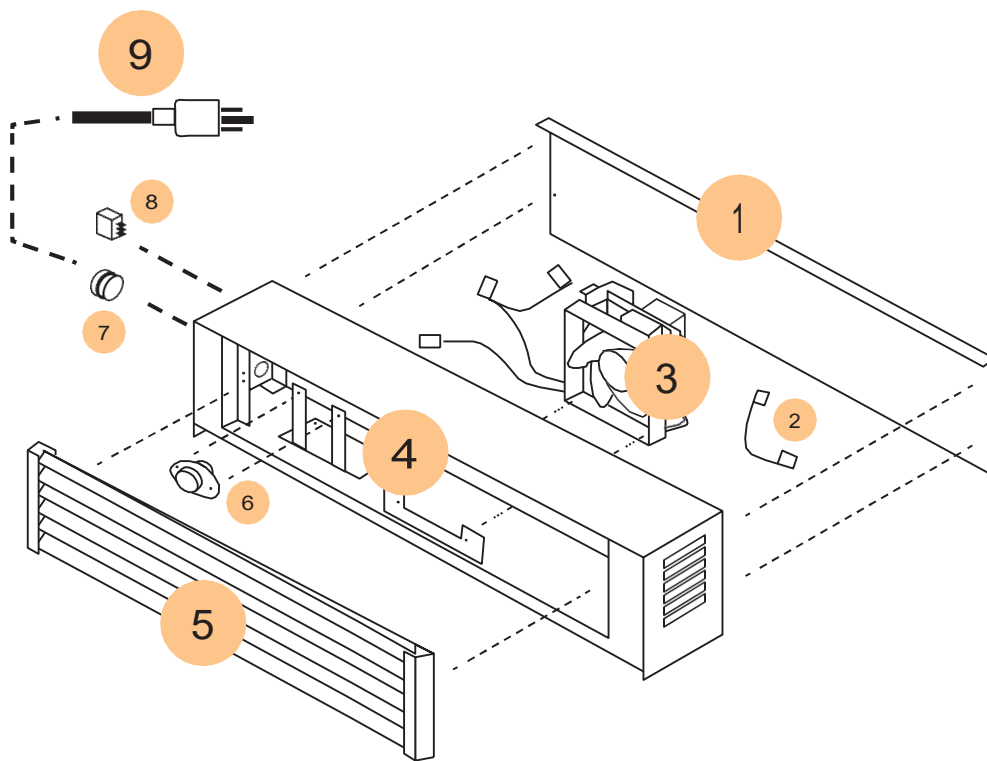
MODEL NUMBERS			
NATURAL		PROPANE	
1403822		1403821	
REF. NO.	REPLACEMENT PART DESCRIPTION	1403822	1403821
1	Burner	P168400	P168400
2	Control Door with P500677 Gasket	8A103	8A103
3	Gas Valve	P295200A	P295201A
4	Manifold with P147200 Gasket	P323659	P323659
5	Burner Orifice (Sea Level)	P090550	P090556
6	Manual Spark Igniter	P285500	P285500
7	Pilot (P142700 gasket not included)	P323700	P322399
8	Observation Door with P100100 Gasket	12B40	12B40
9	Electrode	P322400	P322400



DIRECT VENT GRAVITY FURNACES

BLOWER ACCESSORY REPLACEMENT 2303 KIT FOR MODEL 1403822 / 14H3822

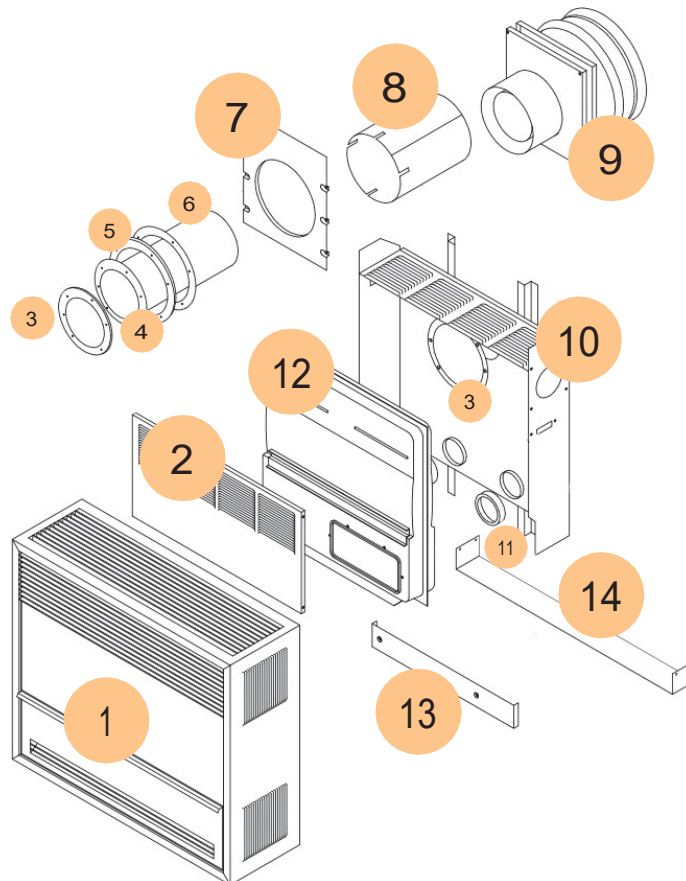
		KIT NUMBER
REF. NO.	REPLACEMENT PART DESCRIPTION	2303
1	Back Plate	8A128
2	Wire	P101000
3	Fan Blower Assembly	8B94
4	Blower Casing Assembly	8B93
5	Louver Assembly	8B90
6	Heat Sensor Switch	P323095
7	Strain Relief	P500158
8	Fan Switch	P323080
9	Plug and Cord	P323335



DIRECT VENT GRAVITY FURNACES

FURNACE ASSEMBLY REPLACEMENT PARTS 220 / 300 MODELS

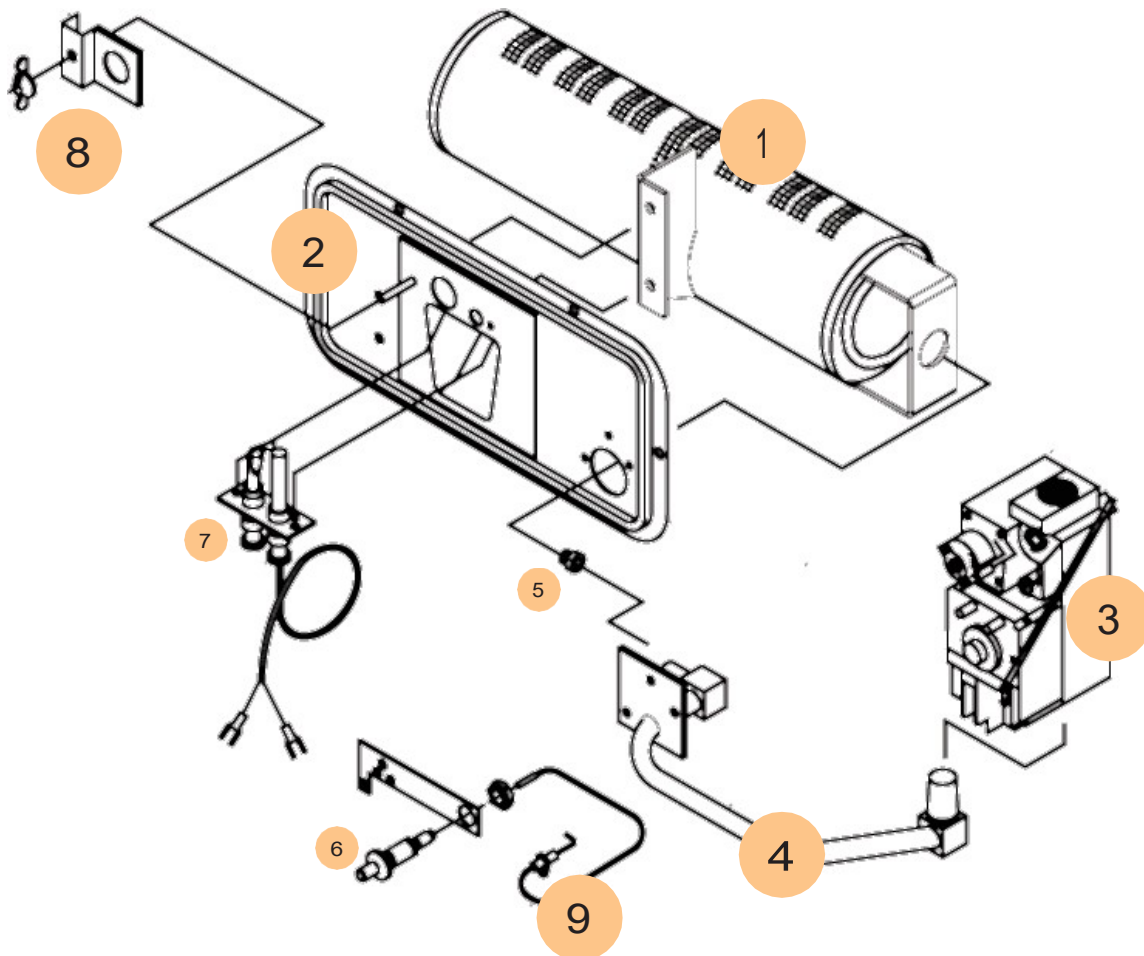
REF. NO.	REPLACEMENT PART DESCRIPTION	MODEL NUMBERS			
		NATURAL 2203822	PROPANE 2203821	NATURAL 3003822	PROPANE 3003821
1	Face Panel	4313	4313	4313	4313
2	Combustion Chamber Shield	6B149	6B149	6B149	6B149
3	Flue Tube Gasket (2 Req.)	P147001	P147001	P147001	P147001
4	Flue Extension (Standard Maximum 9" Thick Wall)	8A51	8A51	6A190	6A190
5	Air Inlet Gasket	P147000	P147000	P147000	P147000
6	Air Inlet Collar (Standard Maximum 9" Thick Wall)	6C60	6C60	6C51	6C51
7	Mounting Spacer Plate	6C66	6C66	6C66	6C66
8	Air Inlet Shield (Standard Maximum 9" Thick Wall)	6C54-1	6C54-1	6C54-1	6C54-1
9	Vent Cap	9306	9306	9306	9306
10	Inner Casing	6D20	6D20	6D20	6D20
11	Air Inlet Gasket (2 Req.)	P121800	P121800	P121800	P121800
12	Combustion Chamber	6304	6304	6304	6304
13	Leg Cover Plate	6B25	6B25	6B25	6B25
14	Bottom Heat Shield	-	-	6A240	6A240



DIRECT VENT GRAVITY FURNACES

CONTROL ASSEMBLY REPLACEMENT PARTS 220 / 300 MODELS

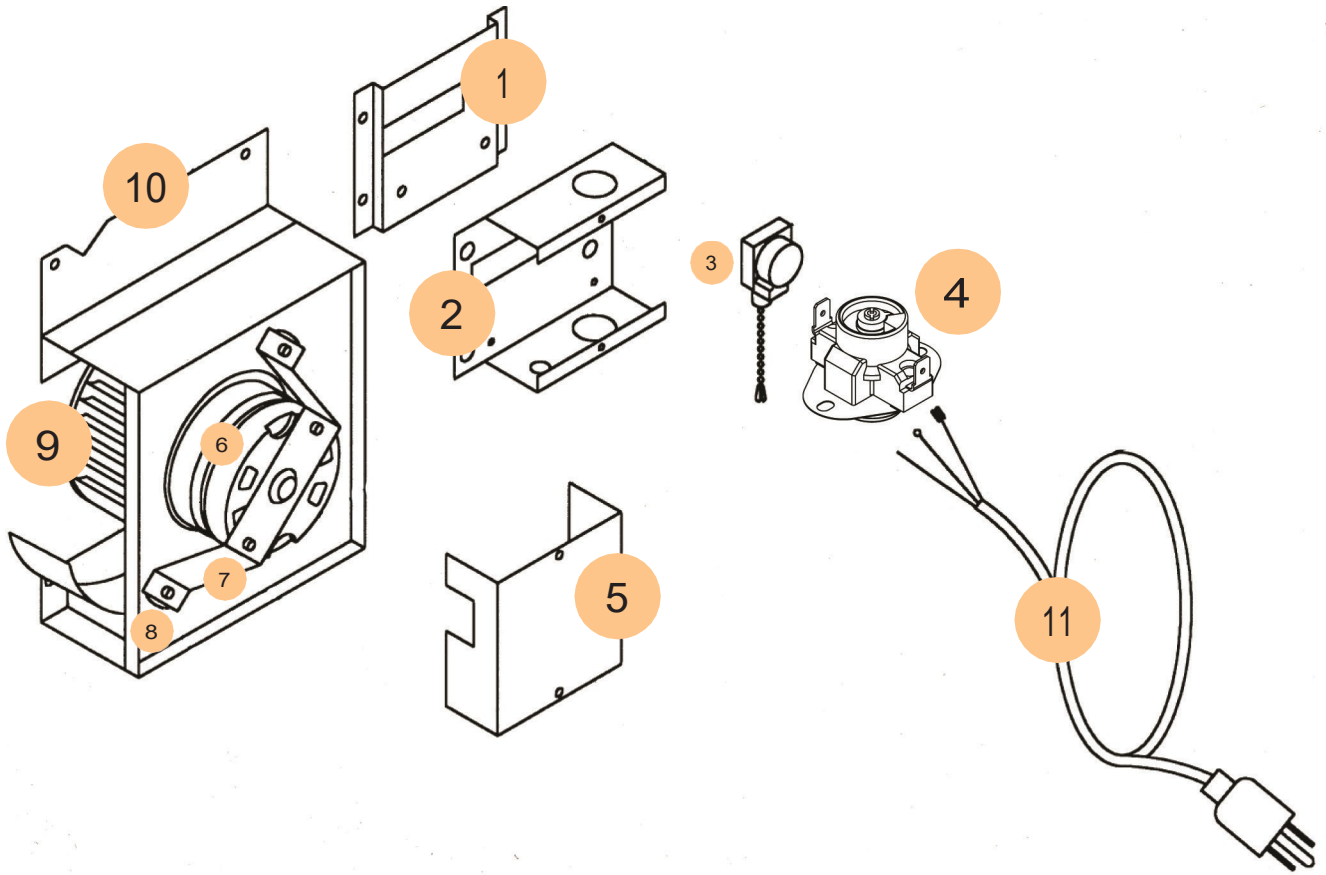
MODEL NUMBERS					
NATURAL		PROPANE			
		2203822	3003822	2203821	3003821
REF. NO.	REPLACEMENT PARTS DESCRIPTION	2203822	2203821	3003822	3003821
1	Burner	P168404	P168404	P168404	P168404
2	Control Door with P500677 Gasket	8A135	8A135	8A135	8A135
3	Gas Valve	P295200A	P295201A	P295200A	P295201A
4	Manifold with P147200 Gasket	P323655	P323655	P323655	P323655
5	Burner Orifice (Sea Level)	P090544	P332628	P090539	P332621
6	Manual Spark Igniter	P285500	P285500	P285500	P285500
7	Pilot (P142700 gasket not included)	P322398	P322399	P322398	P322399
8	Observation Door with P100100 Gasket	12B40	12B40	12B40	12B40
9	Electrode	P322400	P322400	P322400	P322400



DIRECT VENT GRAVITY FURNACES

BLOWER ACCESSORY REPLACEMENT 2302 KIT FOR MODELS 2203822 / 22H3822 / 3003822

REF. NO.	REPLACEMENT PART DESCRIPTION	KIT NUMBER
		2302
1	Switch Box Bracket	6A24
2	Switch Box	6B33
3	Fan Switch (Pull Chain)	P321017
4	Automatic Fan Switch	P332490
5	Switch Box Cover	6A23
6	Motor	P130600
7	Motor Support	6A93
8	Vibration Isolator (2 Req.)	P128400
9	Blower Wheel	P130700
10	Blower Frame	6B64
11	Plug and Cord	P323335



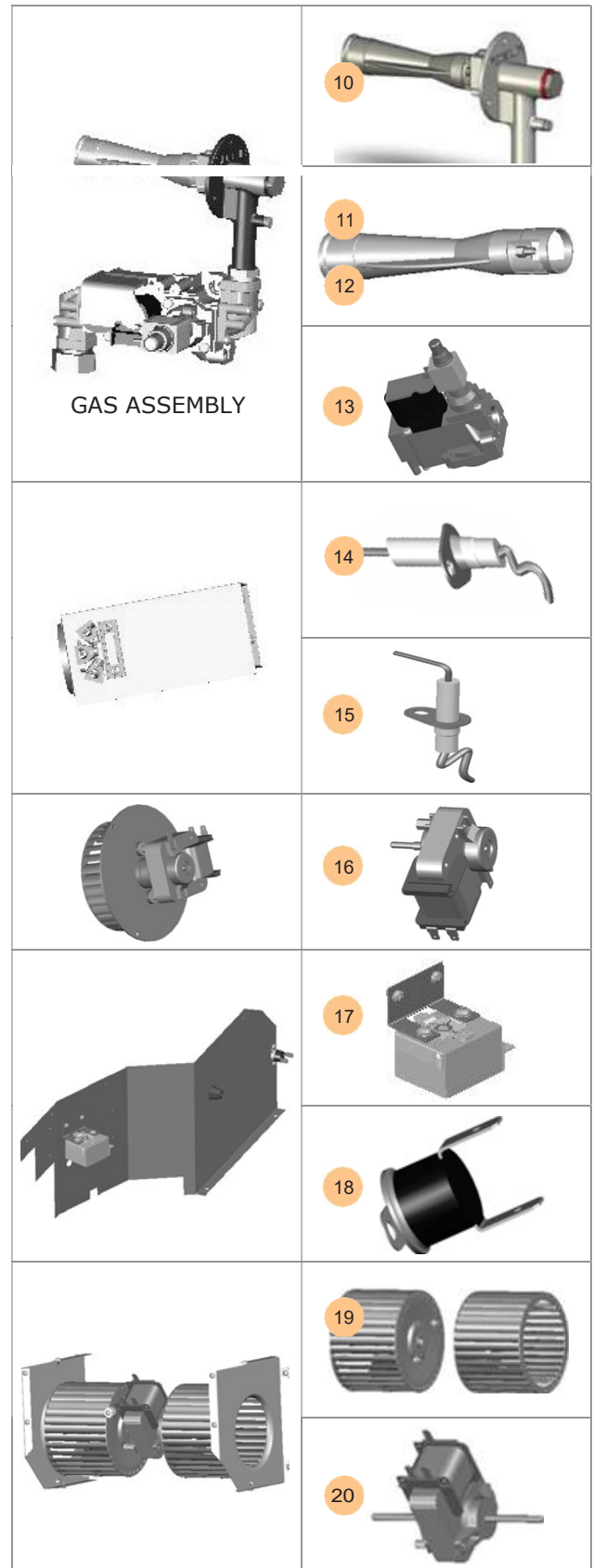
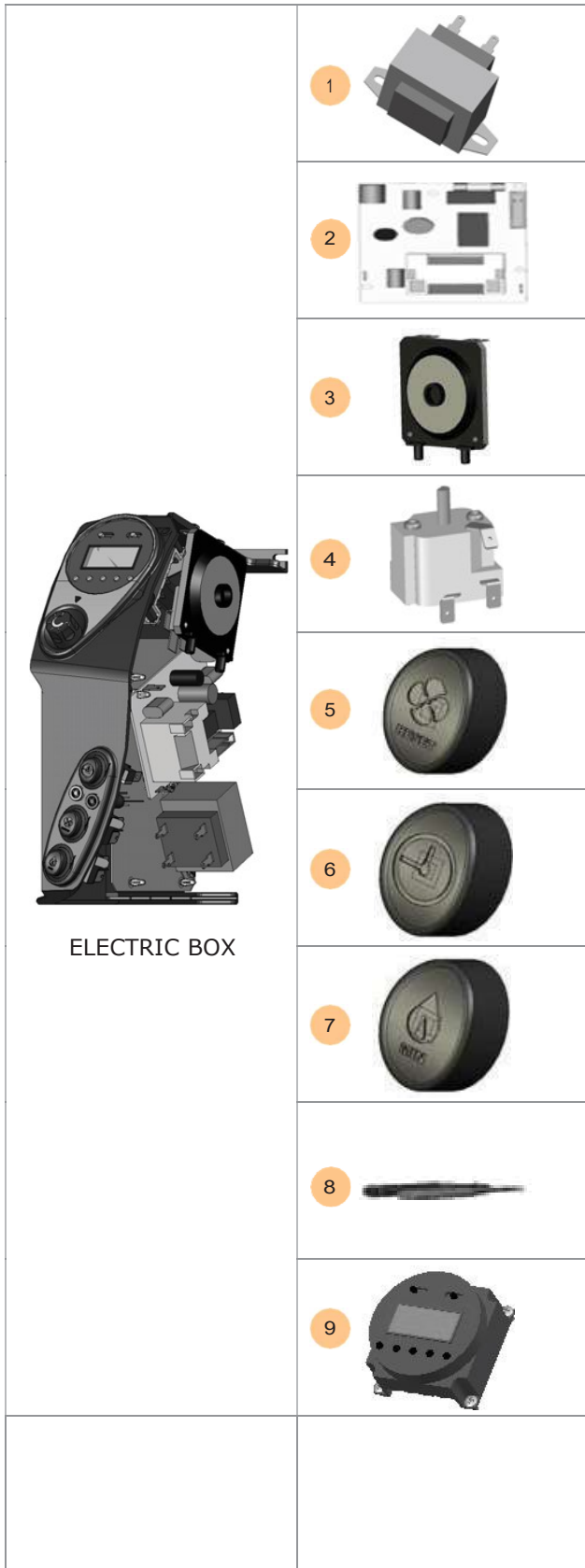
HIGH EFFICIENCY DIRECT VENT GRAVITY FURNACE

FURNACE ACCESSORY REPLACEMENT PARTS FOR 177 MODELS

MODEL NUMBERS	
1773512	1773511

REF. NO.	REPLACEMENT PART DESCRIPTION	PART NUMBER
1	TR 120/24 Transformer	P332523
2	Ignition Control Box	P332503
3	NP Pressure Switch	P332516
4	Z9 Room Thermostat	P332564
5	Z1 Reset and summer/Winter Switch	P332571
6	Z8 - Z3 Timer and Manual Program Mode Switch	P332570
7	Z2 Hi-Lo Flame and Fan Speed Switch	P332569
8	SF/SB Green and Red Lamps	P332633
9	Z8 Timer	P332539
10	Gas Burner and Gas Nozzle	P332561
11	Natural Gas Nozzle	P332551
12	Propane Gas Nozzle	P332552
13	EV 1/2 Min/Max Gas Valve	P332541
14	RP8 Flame Sensor	P332511
15	RP7 Spark Igniter (2 pieces)	P332512
16	S - Combustion Blower Motor	P332514
17	M1 - Overheat Thermostat	P332522
18	M2 - Fan Thermostat	P332496
19	Fan Blades	P332572
20	M - Fan Motor	P332513

REPLACEMENT PARTS



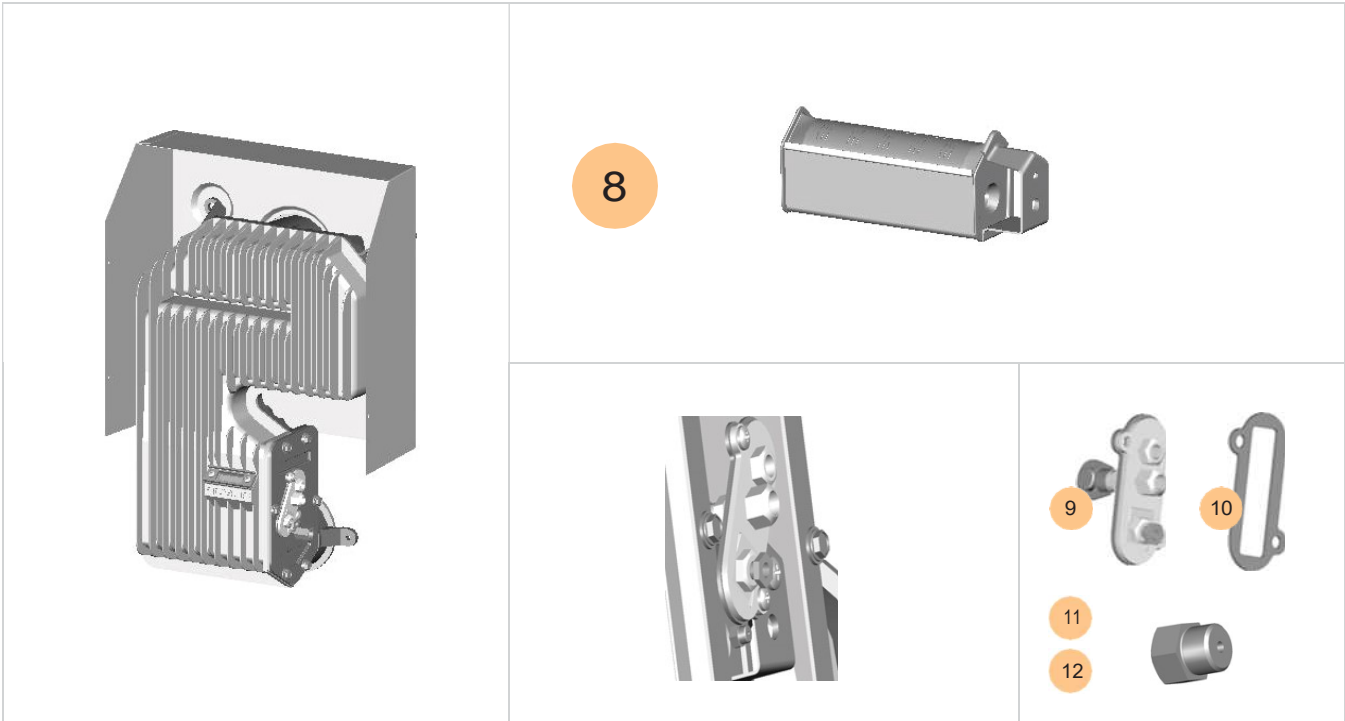
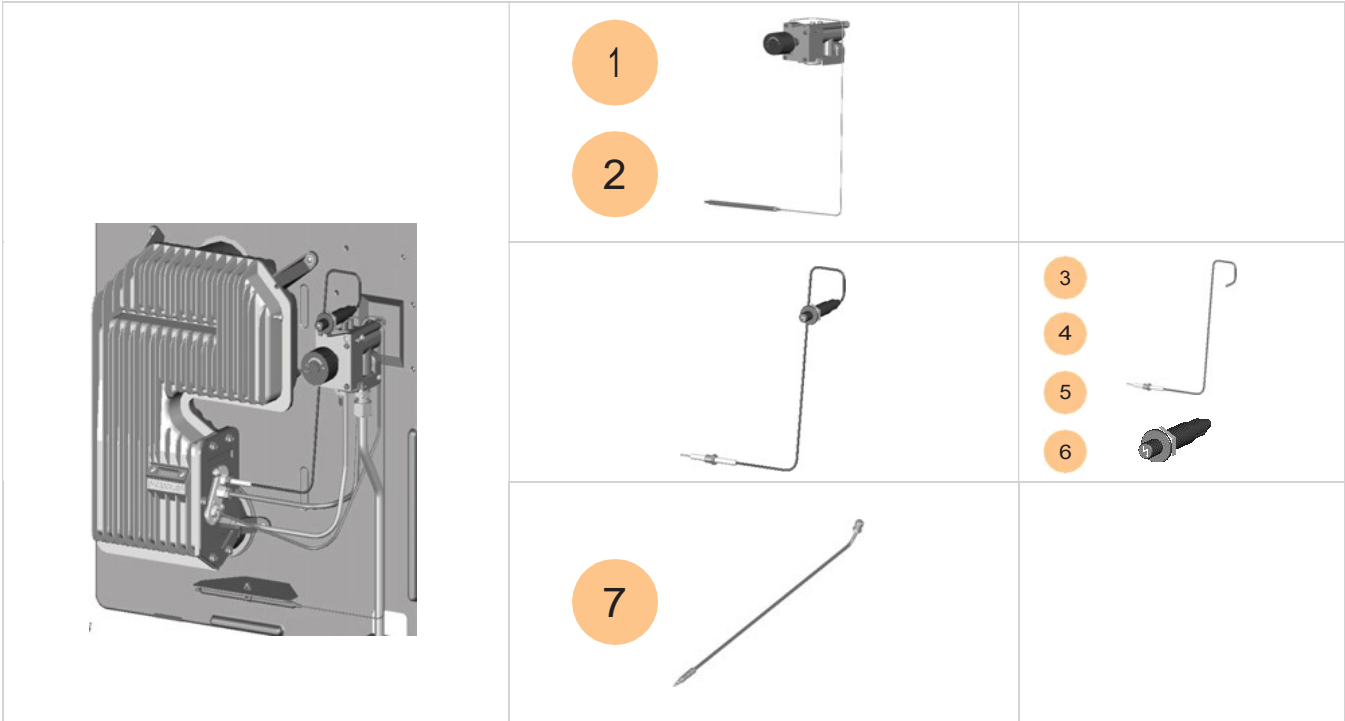
HIGH EFFICIENCY DIRECT VENT GRAVITY FURNACE

FURNACE ACCESSORY REPLACEMENT PARTS FOR 074 MODELS

MODEL NUMBERS	
0743512	0743511

REF. NO.	REPLACEMENT PART DESCRIPTION	PART NUMBER
1	Gas Valve Natural Gas	P332525
2	Gas Valve LPG	P332526
3	Pilot Sparking Candle and Nozzle (Sparking Candle)	P332497
4	Pilot Sparking Candle and Nozzle (Natural Gas)	P332506
5	Pilot Sparking Candle and Nozzle (LPG)	P332495
6	Piezo Electric Button	P332563
7	Thermocouple	P332557
8	Burner	P332546
9	Pilot	P332542
10	Pilot Gasket	P332498
11	Burner Nozzle Natural Gas	P332505
12	Burner Nozzle LPG	P332507

REPLACEMENT PARTS



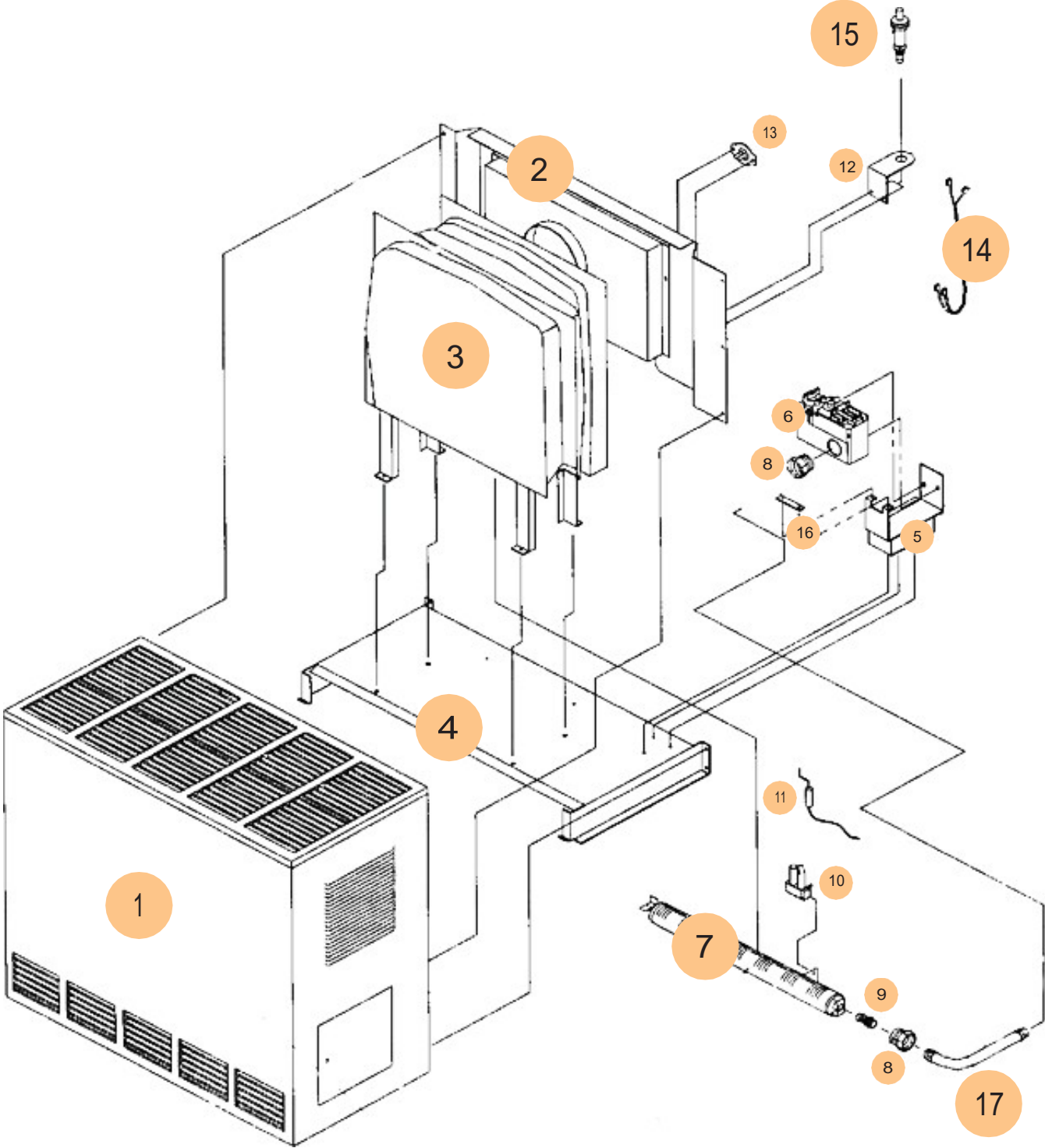
ROOM HEATER

FURNACE ACCESSORY REPLACEMENT PARTS 200 MODELS

MODEL NUMBERS	
2001622A	2001621A

REF. NO.	REPLACEMENT PART DESCRIPTION	2001622A	2001621A
1	Wrapper Assembly	K000275	K000275
2	Draft Diverter Assembly	K000274	K000274
3	Combustion Chamber	8957	8957
4	Base Plate	K000265	K000265
5	Valve Bracket	K000850	K000850
6	Control Valve	P323011	P322660
7	Burner	K000851	K000851
8	Orifice Fitting (2)	P500086	P500086
9	Burner Orifice	P501781	P501800
10	Pilot	P323074	P323073
11	Thermocouple	P043800	P043800
12	Igniter Bracket	7A189	7A189
13	Vent Safety Switch	P323663	P323663
14	Wire Assembly	P500409	P500409
15	Manual Spark Igniter	P285500	P285500
16	Manifold Plate	K000852	K000852
17	Manifold Assembly	P323681	P323681
Thermostat not included with these models.			

EXPLODED VIEW & REPLACEMENT PARTS



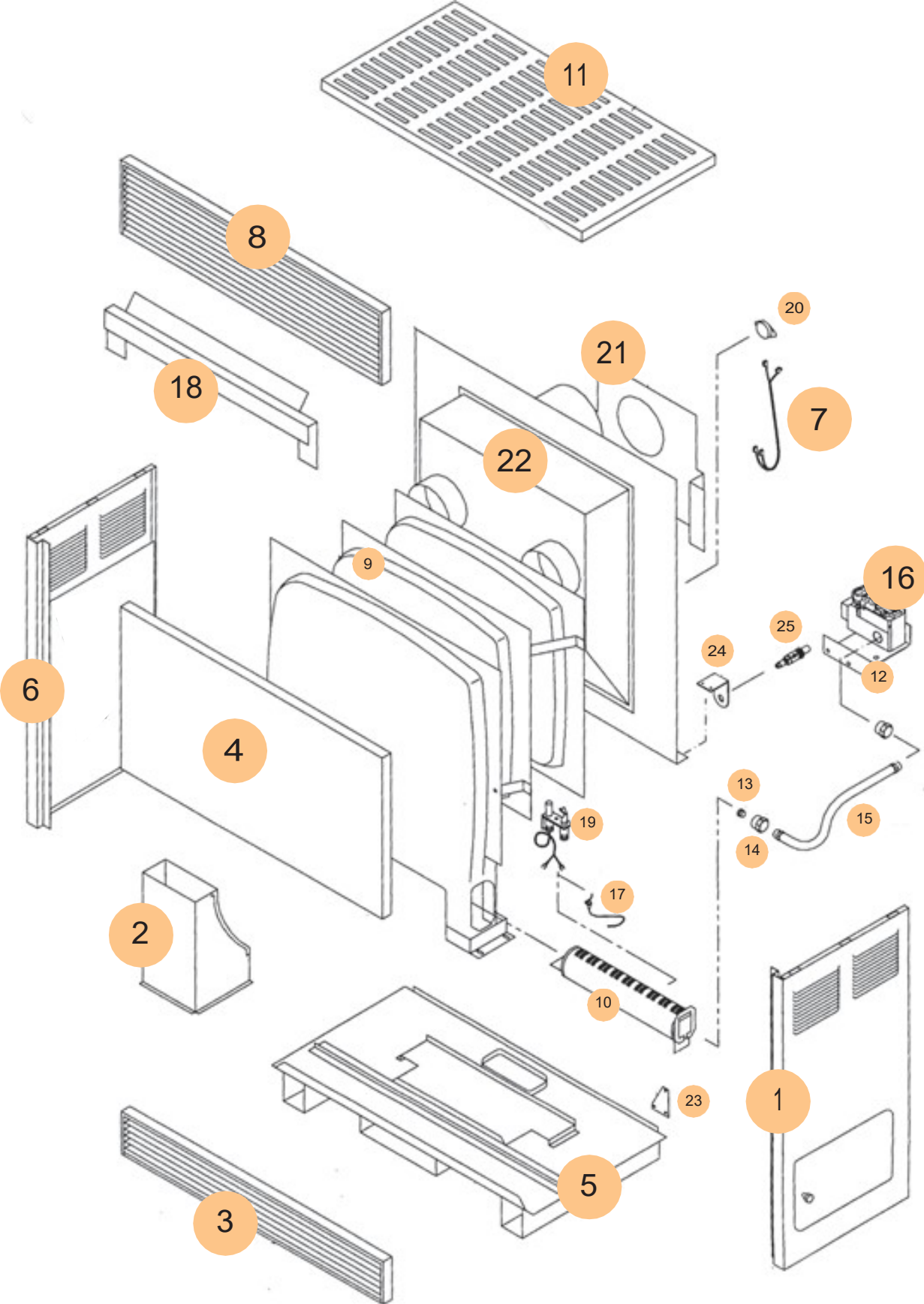
ROOM HEATERS

FURNACE ACCESSORY REPLACEMENT PARTS 350 / 500 / 650 MODELS

MODEL NUMBERS					
NATURAL					
3501522A	3501922A	5001522A	5001922A	6501522A	6501922A
PROPANE					
3501521A	3501921A	5001521A	5001921A	6501521A	6501921A

REF. NO.	REPLACEMENT PART DESCRIPTION	3501522A 3501922A	3501521A 3501921A	5001522A 5001922A	5001521A 5001921A	6501522A 6501922A	6501521A 6501921A
1	Panel Side Right	K000204	K000204	K000205	K000205	K000206	K000206
2	Inlet Duct	K7000-6022	K7000-6022	K7000-6022	K7000-6022	K7000-6022	K7000-6022
3	Bottom Louver Assembly	K000182-1	K000182-1	K000182-2	K000182-2	K000182-3	K000182-3
4	Center Panel	K000220	K000220	K000221	K000221	K000222	K000222
5	Cabinet Bottom	K5000-6003	K5000-6003	K5000-6004	K5000-6004	K5000-6019	K5000-6019
6	Panel Side Left	K000207	K000207	K000208	K000208	K000209	K000209
7	Wire Assembly	P500409	P500409	P500416	P500416	P500416	P500416
8	Top Louver Assembly	K000181	K000181	K000212-1	K000212-1	K000212-2	K000212-2
9	Combustion Chamber	8958	8958	8960	8960	8962	8962
10	Burner	P501620	P501620	P501621	P501621	P501622	P501622
11	Cabinet Top	K000223	K000223	K000224	K000224	K000225	K000225
12	Control Bracket	K000147	K000147	K000147	K000147	K000147	K000147
13	Orifice	P500336	P500351	P500330	P500330	P500327	P500327
14	Orifice Fitting	P500086	P500086	P500086	P500086	P500086	P500086
15	Manifold Assembly	P323678	P323678	P323679	P323679	P323680	P323680
16	Gas Control Valve	P323011	P322660	P323011	P322660	P323011	P322660
17	Thermocouple	P043801	P043801	P043801	P043801	P043801	P043801
18	Shield Cover	-	-	K7011-6030	K0711-6030	-	-
19	Pilot	P323074	P323073	P323074	P323073	P323074	P323073
20	Vent Safety Switch	P323663	P323663	P323664	P323664	P323664	P323664
21	Hear Shield (Rear)	K7003-6370	K7003-6370	K7003-6371	K7003-6371	K7003-6372	K7003-6372
22	Back Plate	K000309	K000309	K000310	K000310	K000526	K000526
23	Rear Corner race	K7003-6097	K7003-6097	K7003-6097	K7003-6097	K700-6097	K700-6097
24	Bracket	7A189	7A189	7A189	7A189	7A189	7A189
25	Manual Spark Igniter	P285500	P285500	P285500	P285500	P285500	P285500
Thermostat not included with these models.							

EXPLODED VIEW & REPLACEMENT PARTS

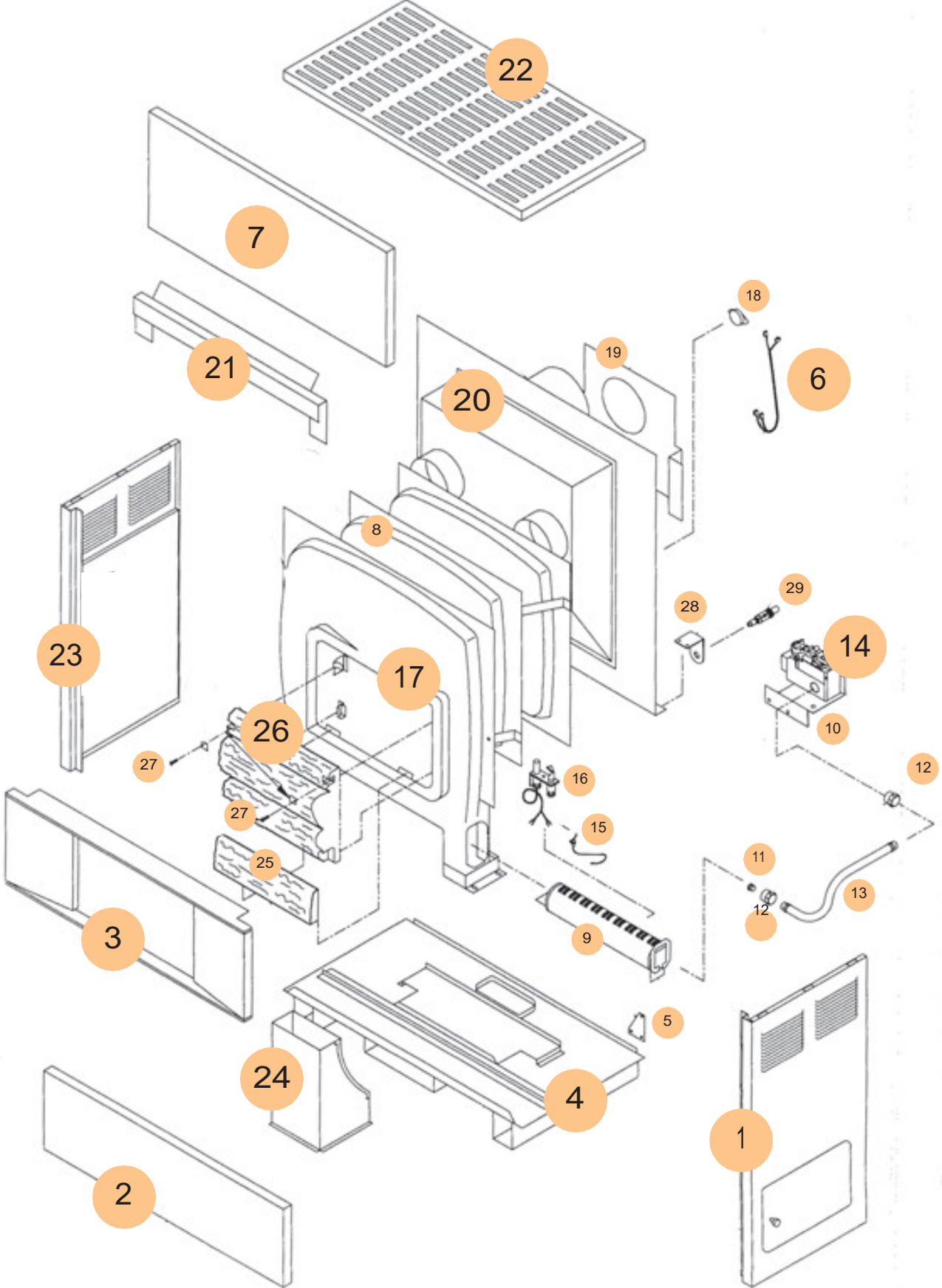


ROOM HEATERS

FURNACE ACCESSORY REPLACEMENT PARTS 350 / 500 / 650 FIREPLACE FRONT MODELS

MODEL NUMBERS							
NATURAL							
3502522A		3502922A		5002522A		5002922A	
6502522A		6502922A		6502522A		6502922A	
PROPANE							
3502521A		3502921A		5002521A		5002921A	
6502521A		6502921A		6502521A		6502921A	
REF. NO.	REPLACEMENT PART DESCRIPTION	3502522A 3502922A	3502521A 3502921A	5002522A 5002922A	5002521A 5002921A	6502522A 6502922A	6502521A 6502921A
1	Panel Side Right	K000204	K000204	K000205	K000205	K000206	K000206
2	Bottom Panel	K000229	K000229	K000230	K000230	K000231	K000231
3	Hearth	K000462	K000462	K000463	K000463	K000464	K000464
4	Cabinet Bottom	K500096003	K500096003	K5000-6004	K5000-6004	K5000-6019	K5000-6019
5	Rear Corner Brace	K7003-6097	K7003-6097	K7003-6097	K7003-6097	K7003-6097	K7003-6097
6	Wire Assembly	P500409	P500409	P500416	P500416	P500416	P500416
7	Top Panel	K000323	K000323	K000233	K000233	K000234	K000234
8	Combustion Chamber	8958	8958	8961	8961	8963	8963
9	Burner	P501620	P501620	P501621	P501621	P501622	P501622
10	Control Bracket	K000147	K000147	K000147	K000147	K000147	K000147
11	Burner Orifice	P500336	P500351	P500330	P500345	P500327	P500432
12	Orifice Fitting	P50086	P50086	P500086	P500086	P500086	P500086
13	Manifold Assembly	P323678	P323678	P323679	P323679	P323680	P323680
14	Gas Control Valve	P323011	P322660	P323011	P322660	P323011	P322660
15	Thermocouple	P043801	P043801	P043801	P043801	P043801	P043801
16	Pilot	P323074	P323073	P323074	P323073	P323074	P323073
17	Window Assembly	K000450	K000450	K000451	K000451	K000452	K000452
18	Vent Safety Switch	P323663	P323663	P500406	P500406	P323663	P323663
19	Heat Shield	K7003-6370	K7003-6370	K7003-6371	K7003-6371	K7003-6372	K7003-6372
20	Back Plate	K000309	K000309	K000527	K000527	K000311	K000311
21	Shield Cover	-	-	K7011-6030	K7011-6030	K7011-6031	K7011-6031
22	Cabinet Top	K000223	K000223	K000224	K000224	K000225	K000225
23	Panel Side Left	K000207	K000207	K000208	K000208	K000209	K000209
24	Inlet Duct	K7000-6022	K7000-6022	K7000-6022	K7000-6022	K7000-6022	K7000-6022
25	Front Log	P500678	P500678	P500679	P500679	P500680	P500680
26	Rear Log Set	P500674	P500674	P500675	P500675	P500676	P500676
27	Stainless Steel Screw (2)	P103200	P103200	P103200	P103200	P103200	P103200
28	Bracket	7A189	7A189	7A189	7A189	7A189	7A189
29	Manual Spark Igniter	P285500	P285500	P285500	P285500	P285500	P285500

EXPLODED VIEW & REPLACEMENT PARTS



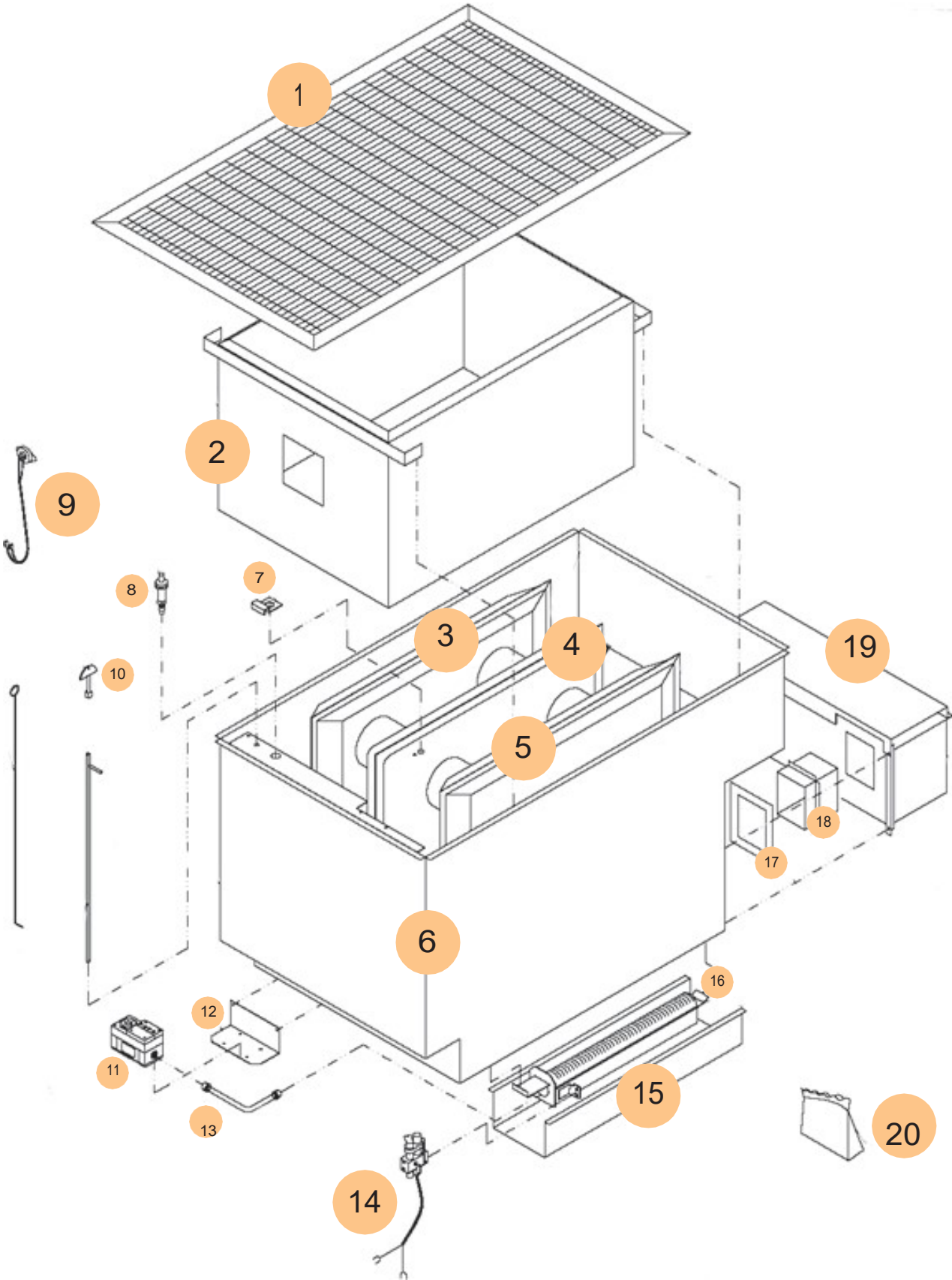
Thermostat not included with these models.

FLOOR FURNACE

FURNACE ACCESSORY REPLACEMENT PARTS 450 / 600 MODELS

MODEL NUMBERS					
		4505622A	4505621A	6005622A	6005621A
REF. NO.	REPLACEMENT PART DESCRIPTION	4505622A	4505621A	6005622A	6005621A
1	Grill Floor	P322428	P322428	P322429	P322429
2	Inner Liner Assembly	4B0041	4B0041	4B0042	4B0042
3	Combustion Chamber	8964	8964	8965	8965
4	Outer Shield Assembly	4B0036	4B0036	4B0069	4B0069
5	Peep Hole Cover Assembly	12B40	12B40	12B40	12B40
6	Igniter	P285500	P285500	P285500	P285500
7	Limit Switch	P323031	P323031	P323031	P323031
8	Control Key	P322445	P322445	P322445	P322445
9	Control Rod	4A0037	4A0037	4A0037	4A0037
10	Lighter Rod	P322431	P322431	P322431	P322431
11	Control Valve Natural	P323177	-	P323177	-
	Control Valve Propane	-	P323178	-	P323178
12	Valve Bracket	4B0087	4B0087	4B0087	4B0087
13	Manifold Assembly	P323677	P323677	P323677	P323677
14	Pilot Natural	P501617	-	P501617	-
	Pilot Propane	-	P501618	-	P501618
15	Shield Burner	4B0014	4B0014	4B0010	4B0010
16	Burner	P323674	P323674	P323673	P323673
17	Gasket Flue Outlet	P322439	P322439	P322439	P322439
18	Drafhod Collar Assembly	4B80072	4B80072	4B0072	4B0072
19	Drathood Assembly	4B0026	4B0026	4B0026	4B0026
20	Envelope Assembly	4A0024	4A0024	4A0024	4A0024
Thermostat not included with these models.					

EXPLODED VIEW & REPLACEMENT PARTS



WARNING: These products can expose you to chemicals including epichlorohydrin which is known to the State of California to cause cancer and birth defects and/or other reproductive harm. For more information go to www.p65warnings.ca.gov

