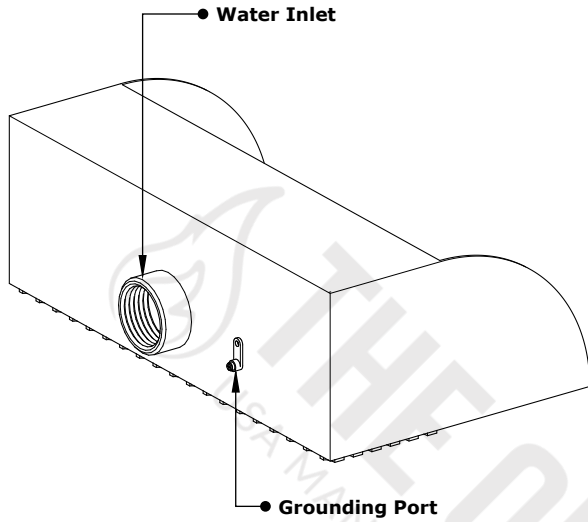
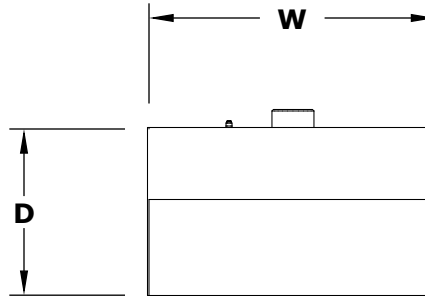


SMOOTH FLOW RADIUS STYLE SCUPPER

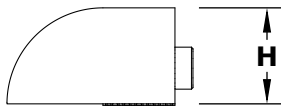
STAINLESS STEEL / COPPER



ISOMETRIC VIEW



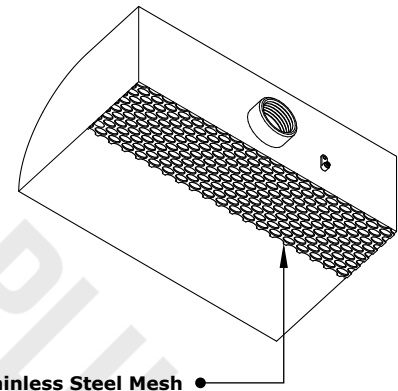
TOP VIEW



RIGHT SIDE VIEW



FRONT SIDE VIEW



BOTTOM ISOMETRIC VIEW

| PART NUMBER | W | H | D | Inlets |
|-------------|-----|----|----|----------|
| OPT-RSE8 | 8" | 4" | 7" | 1 Inlet |
| OPT-RSE12 | 12" | 4" | 7" | 1 Inlet |
| OPT-RSE24 | 24" | 4" | 7" | 2 Inlets |
| OPT-RSE36 | 36" | 4" | 7" | 3 Inlets |
| OPT-RSE48 | 48" | 4" | 7" | 4 Inlets |

Scupper Material: 316 Stainless Steel / Copper

| | |
|---------------------|----------------|
| Drawn By | Murguia M. |
| Date Created | August 6, 2021 |