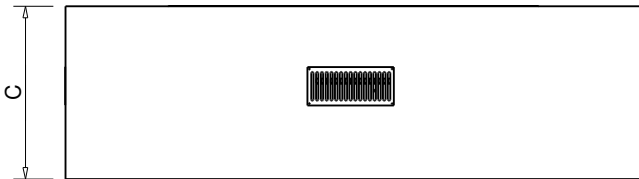
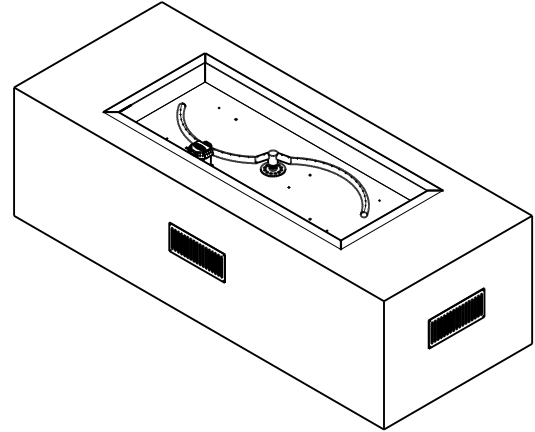
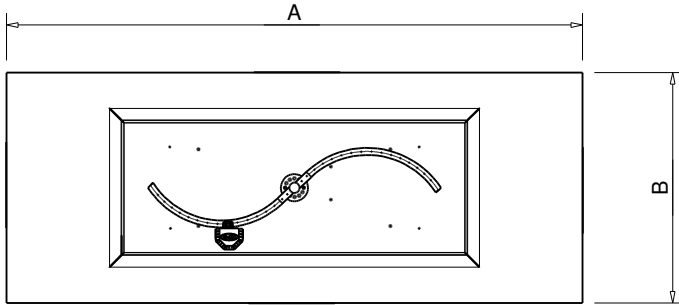
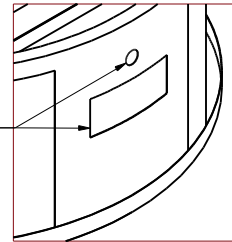




Hearth Products Controls Co
FIRE PIT INSERT CSA CERTIFIED-OUTDOOR USE ONLY
FOR COMMERCIAL AND RESIDENTIAL USE



FRAME IS PRE-CUT FOR FPPK OR MLFPK BUT NOT HARDIBOARD



| ELECTRONIC IGNITION (EI) | | | | | | |
|----------------------------------|----------|-----------------|----|----|-----------------|--------------|
| PART NUMBERS | STND BTU | DIMENSION CHART | | | POWER | INSERT |
| | | A" | B" | C" | | |
| U60X24/SFIRECEK | 75K | 60 | 24 | 18 | 120VAC OR 24VAC | 36X14SSEI-S |
| PUSH BUTTON/FLAME SENSING (FPPK) | | | | | | |
| PART NUMBERS | STND BTU | DIMENSION CHART | | | POWER | INSERT |
| | | A" | B" | C" | | |
| U60X24/SFIREFPPKCEK | 75K | 60 | 24 | 18 | AA BATTERY | FPPK36X14-S |
| MATCH LIT (MLFPK) | | | | | | |
| PART NUMBERS | STND BTU | DIMENSION CHART | | | POWER | INSERT |
| | | A" | B" | C" | | |
| U60X24/SFIREMLFPKCEK | 65K | 60 | 24 | 18 | - | MLFPK36X14-S |

EI MODELS INCLUDE: ENCLOSURE, FULLY ASSEMBLED INSERT, INPUT FLEX LINE AND INSTRUCTIONS

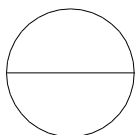
FPPK MODELS INCLUDE: ENCLOSURE, FULLY ASSEMBLED INSERT, MOUNTING SLEEVE AND INSTRUCTIONS

MLFPK MODELS INCLUDE: ENCLOSURE, FULLY ASSEMBLED INSERT AND INSTRUCTIONS

INSERT: 36" X 14"

Notes:

1. CONSTRUCTION - 22 GAUGE GALVANIZED STEEL WELDED FRAME AND 1/2" HARDIBOARD SHELL AND WEIGHS 150 LBS.
2. ALL ENCLOSURES INCLUDE REQUIRED 4 each 18 SQ/IN VENTS ON OPPOSING SIDES. ADEQUATE DRAINAGE IS NEEDED.
2. FOLLOW ALL MANUFACTURER INSTALLATION INSTRUCTIONS AND LOCAL CODES.
3. ALL DIMENSIONS ARE CONSIDERED TRUE AND REFLECT MANUFACTURER'S SPECIFICATIONS AS OF THE REVISION DATE.
4. DO NOT SCALE DRAWING.
5. THESE DRAWINGS ARE FOR SIZING AND PLANNING PURPOSES. ALL INFORMATION CONTAINED HEREIN WAS CURRENT AT THE TIME OF DEVELOPMENT. THE MANUFACTURER'S RESPONSIBLE FOR THE ACCURACY OF THE DRAWING.
6. CONTRACTOR'S NOTE: FOR PRODUCT AND COMPANY INFORMATION VISIT www.CADdetails.com/info REFERENCE NUMBER 771-065.



READY TO FINISH SERIES
RECTANGLE BURNER ENCLOSURE - S-FIRE BURNER INSERT