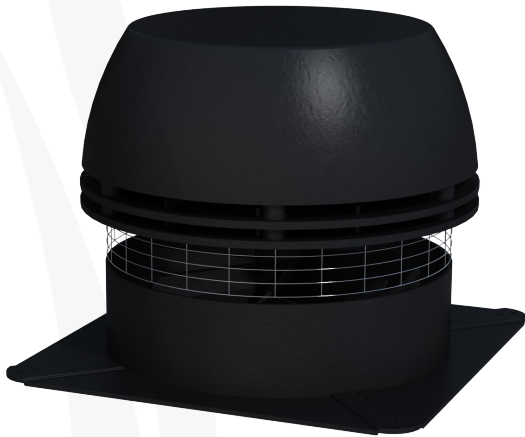


ENERVEX RS CHIMNEY FAN FOR GAS & OIL APPLICATIONS

3000270 08.17

Installation & Operating Manual



READ AND SAVE THESE INSTRUCTIONS!



Intertek
ETL514733


ENERVEX® 
VENTING DESIGN SOLUTIONS





This symbol shows that ENERVEX RS Chimney Fans for solid fuel applications are listed under ETL File no. 514733.

Symbol Legend

The following terms are used throughout this manual to bring attention to the presence of potential hazards, or to important information concerning the product.

 **DANGER:** Indicates an imminent hazardous situation which, if not avoided, will result in death, serious injury or substantial property damage.

 **WARNING:** Indicates an imminent hazardous situation which, if not avoided, may result in personal injury or property damage.

 **DANGER:** Indicates an imminent electrical shock hazard which, if not avoided, will result in death, serious injury or substantial property damage.

How to use this manual

This installation manual does not contain any system design documentation. System design documentation is available from any authorized ENERVEX representative. Accessories, fans, and variable frequency drives are not covered by this manual. Please refer to these component's individual manuals.

TO REDUCE THE RISK OF FIRE, ELECTRICAL SHOCK OR INJURY TO PERSONS, OBSERVE THE FOLLOWING:

1. Use this unit in the manner intended by the manufacturer. If you have questions, contact the manufacturer at the address or telephone number listed on the front of the manual.
2. Before servicing or cleaning the unit, switch off at service panel and lock service panel to prevent power from being switched on accidentally.
3. Installation work and electrical wiring must be done by a qualified person(s) in accordance with applicable codes and standards.
4. Follow the appliance manufacturer's guidelines and safety standards such as those published by the National Fire Protection Association (NFPA), and the American Society for Heating, Refrigeration and Air Conditioning Engineers (ASHRAE), and the local code authorities.
5. This unit must be grounded.

Content

1. GENERAL INFORMATION	
1.1 Function	4
1.2 Shipping.....	4
1.3 Warranty.....	4
2. SPECIFICATIONS AND DIMENSIONS	
2.1 Dimensions and Capacities	5
2.2 Planning Ahead	6
3. MECHANICAL INSTALLATION	
3.1 Transport Safety Device.....	7
3.2 Single Fan on Steel Chimney	7
3.3 Single Fan on Brick Chimney	8
3.4 Multiple Fans on Steel Chimney	9
3.5 Multiple Fans on Brick Chimney - Oversized Flue.....	9
3.6 Installation for High Temperatures.....	9
3.7 Wall Mounting of Chimney Fan	10
3.8 Installation of Proven Draft Switch (PDS).....	10
3.9 Termination of Venting System.....	10
4. ELECTRICAL INSTALLATION	
4.1 General	12
4.2 Wiring Diagram for Single Fan with FSC	12
4.3 Wiring for Two Fans with FSC.....	13
4.4 Wiring Diagram for Single Fan with ADC 100.....	13
5. STARTUP AND CONFIGURATION	
5.1 System Testing	14
5.2 Adjusting the Chimney Fan Speed.....	14
5.3 Adjusting the Proven Draft Switch Setting.....	14
6. MAINTENANCE AND TROUBLESHOOTING	
6.1 Prior to Cleaning.....	15
6.2 Care and Cleaning.....	15
6.3 Chimney Cleaning Intervals.....	15
6.3 Troubleshooting.....	16

1. GENERAL INFORMATION

1.1 FUNCTION

The RS Chimney Fan is a chimney top mounted ventilator that is designed to provide large flue gas volume capacities. It is designed and intended for use with residential gas or oil fired central space heating systems, for volume water heating or for combination space heating/volume water heating. It is also suitable for use with gas-fired fireplaces, stoves, BBQ's or residential pizza ovens.

This product is developed to prevent draft problems from occurring by creating a mechanical draft in venting systems and thereby also increasing the capacity and efficiency of a venting system.

The use of the RS Chimney Fan is not restricted to any type of chimney, because the fan creates a negative pressure (below atmospheric) in the chimney or vent.

Code Compliance

Installations must conform to requirements of the authority having jurisdiction. Where required by the authority having jurisdiction, the installation must also conform to the Standard for Draft Equipment and The National Fuel Gas Code, ANSI Z223.1/NFPA 54.

All electrical wiring must be in accordance with the requirements of authority having jurisdiction or, in the absence of such requirements, with the National Electrical Code, NFPA70.

Listings

The Model RS is tested and listed to UL Standard 378, Standard for Draft Equipment. The fan is manufactured at an ISO9001 certified plant and bears the European CE compliance label.

The chimney fan must be interlocked with the connected appliance(s) to insure proper combustions and to avoid flue gas spillage.

1.2 SHIPPING

The packing list (attached to one of the packages) clearly lists all items in the shipment and each package has a label showing the contents. Check the list against all materials on the job site for completeness.

NOTE: All single phase fans are shipped with a capacitor and junction box connected via conduit. The capacitor is located INSIDE the junction box. Please do not discard.

1.3 WARRANTY

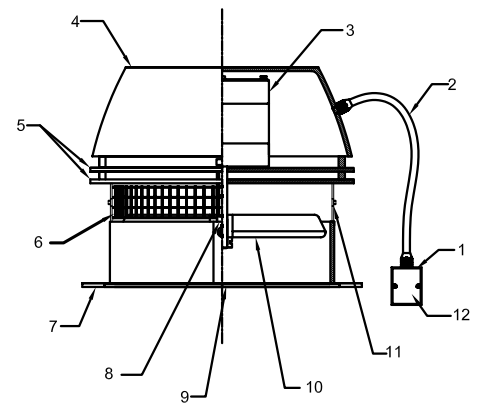
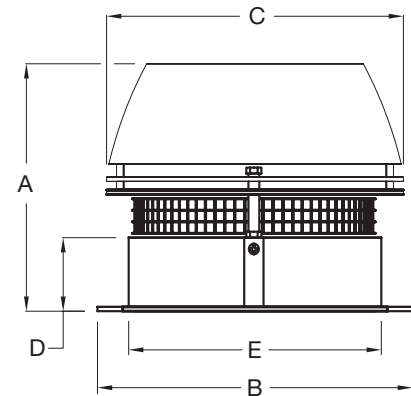
ENERVEX products are warranted for a period of two (2) years following the date of invoice. Replacement or repair will be at ENERVEX's discretion, provided factory inspection shows a defect in material or workmanship.

Complete warranty conditions are available from ENERVEX.

2. SPECIFICATIONS

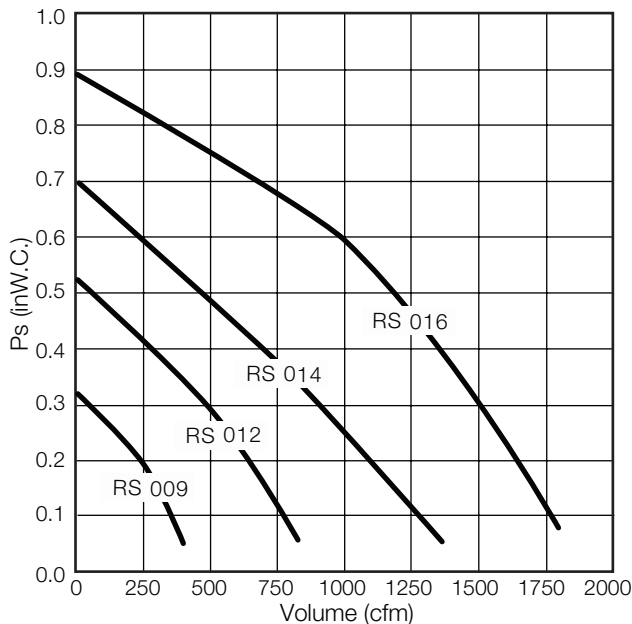
2.1 DIMENSIONS & CAPACITIES

Model		RS 009	RS 012	RS 014	RS 016	
Discharge		Horizontal				
Fan Type		Axial Vane				
Motor Type		Totally enclosed, Variable speed, Class H				
Voltage	VAC	1x120V @ 60 Hz				
Amperage	Amps	0.5	1.2	1.4	3.9	
RPM		1600				
CFM	@0.0 Ps	450	950	1400	1950	
Motor Output	hp / kW	1/30 / .025	1/10 / 0.08	1/7 / 0.1	1/3 / 0.25	
Weight	lbs / kg	29 / 13	37 / 17	47 / 21	61 / 28	
	kg	13	17	21	28	
Dimensions	A	in / mm	10.2 / 259	11.5 / 292	13.1 / 334	16.0 / 407
	BxB	in / mm	11.7 / 296	14.3 / 364	16.6 / 422	18.8 / 478
	C	in / mm	10.8 / 275	13.5 / 344	15.5 / 395	17.4 / 441
	D	in / mm	3.0 / 75	3.3 / 85	3.9 / 100	3.9 / 100
	E	in	9.4 / 238	11.6 / 294	13.5 / 342	15.4 / 391
Temperature Rating	Interm.	575°F / 300°C				
	Cont.	482°F / 250°C				



- 1 Junction box
- 2 Conduit/cord
- 3 Motor
- 4 Motor housing
- 5 Motor plate
- 6 Bird screen
- 7 Base plate
- 8 Locking nut
- 9 Inlet
- 10 Axial vane
- 11 Hinges
- 12 Capacitor (inside junction box)

Capacity



Sound Data

Model	Lw dB (measured in accordance with ISO 3744)							Lp dB(A)
	125Hz	250Hz	500Hz	1000Hz	2000Hz	4000Hz	8000Hz	
RS009	54	50	47	43	38	31	25	21
RS012	64	60	55	52	48	42	34	30
RS014	75	69	65	62	57	51	44	41
RS016	81	76	72	69	64	58	52	47

2.2 PLANNING AHEAD



Observe proper combustion air requirements.
Provide a firm support system for the chimney fan.
Determine the type of system involved.
Observe proper safety measures are taken to assure safe use of the wood burning appliances.

Combustion Air Requirements

Provisions for combustion air must be in accordance with applicable local codes.

If the heating system is installed in an unconfined space, adequate air will be available via normal infiltration.

If the heating system is installed in a confined space, (a space with a volume less than 50 cubic feet per 1,000 Btu/hr of input for all fuel burning equipment) or building construction is unusually tight, adequate air for combustion must be provided by two openings: one located about 6" below the ceiling, the other about 6" above the floor. Each opening must have a minimum free area as follows:

1. One square inch per 4,000 Btu/hr of input when communicating directly with the outside or through a vertical duct.
2. One square inch per 2,000 Btu/hr when communication through horizontal ducts to the outside.
3. One square inch per 1,000 Btu/hr when ventilation air is provided by openings in doors, etc. to adjoining spaces having adequate infiltration.



Adequate fresh air must be provided for combustions; otherwise improper operation and inadequate venting of deadly flue gases may result.

Support system for the chimney fan

Prior to installation of the chimney fan, it must be assured the chimney can safely carry the weight of the chimney fan.

A steel chimney should be well supported at the roof penetration point. If the chimney extends more than 20' above the roof, the chimney and the fan should be secured by wires attached on the chimney and on the roof at 2 to 3 different points.

Brick chimneys usually do not need any kind of support to carry the weight of the chimney fan.

System type

Direct connect oil or gas appliances (no draft hood) normally do not require any mechanical draft adjustment. However, if there are long horizontal breechings and far between the appliances, it is a good idea to install mechanical vent dampers, so adjustments of the draft can be easily made.

Draft hood systems could generally speaking have vent dampers installed. The vent dampers are used to balance the system and assure that only a minimum of dilution air is pulled through the draft hoods.

Safety Devices

Local codes usually require installation of safety devices, when mechanical draft is provided in an oil or gas fueled system.

Make sure a differential pressure switch (proven draft switch) is installed to assure that no appliance will fire unless there is a proven draft.

3. MECHANICAL INSTALLATION

3.1 TRANSPORT SAFETY DEVICE

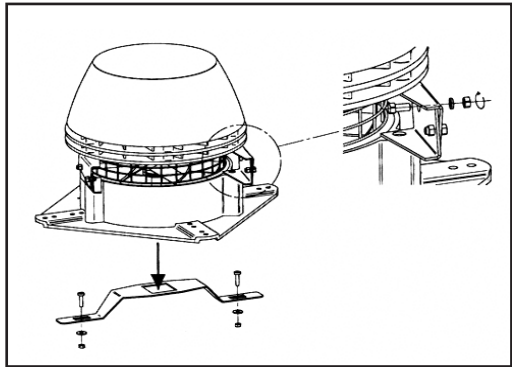
If a transport safety device is present, remove it from the vane and make sure that the vane can revolve without hindrance.

RS 14/16: Before mounting, the transport safety device on the hinges must be removed.

3.2 SINGLE FAN ON STEEL CHIMNEY

Step 1: Prepare fan location

If a stack cap is already installed, it must be removed. The steel chimney adapter (SCA) slides right into the chimney, where the long collar engagement ensures safe anchoring. If necessary, the adapter can be secured by means of long self-tapping stainless steel screws into the side of the collar through the chimney wall.



If the steel chimney is air-cooled, a special adapter for such chimney must be used.

Measure the inside diameter of the flue and cut a corresponding hole in the center of the fiber mat. If the flue is so big that the throat in the adapter has been reduced to fit the throat of the fan, the hole in the fiber mat should correspond to the throat.

The aluminum foil on the fiber mat must face upward (against fan base).

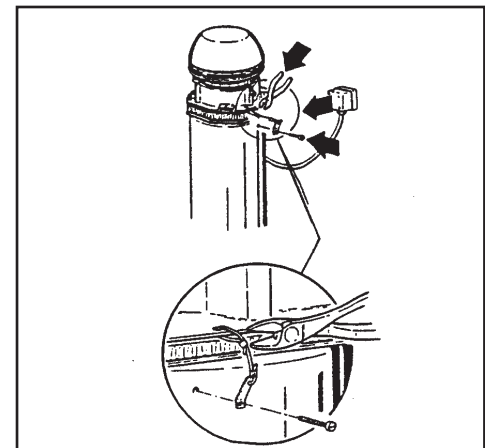
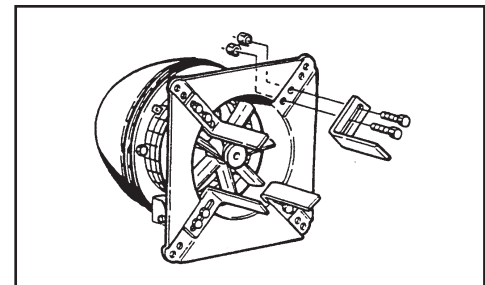
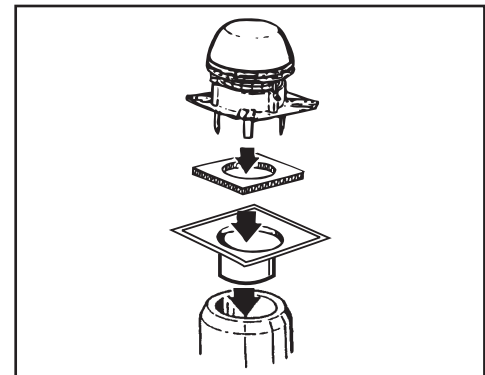
Step 2: Preparation of fan

Locate the installation brackets in the grooves on the underside of the fan base, using the bolts and nuts supplied to secure the brackets. Note that the bolts shall be installed from the bottom side in the two inner holes.

Adjust the final position of the installation brackets ensuring that there is a small gap between the brackets and the flue wall/adapter throat. Tighten the nuts. If the brackets touch the flue wall, it may create some vibration noise.

Step 3: Attaching the fan

The chimney fan is now ready for installation on the top of the chimney. Place the fiber mat with the aluminum foil facing upwards on the top of the adapter, and place the fan on top of the mat. High temperature silicone can be applied on the side of the mat, but is not required. It can also be painted. It is not necessary to bolt the fan to the chimney.



CAUTION

Under conditions with extremely strong winds surrounding the top of the chimney, the chimney fan must be secured by steel wires supplied with the fan.

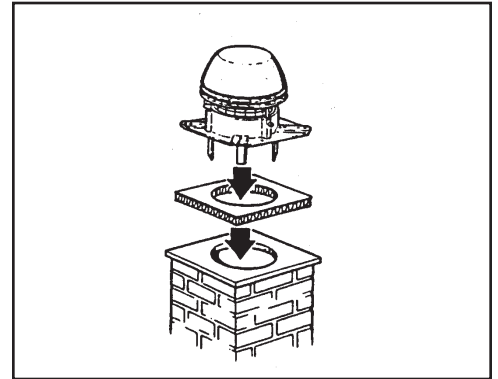
3.3 SINGLE FAN ON BRICK CHIMNEY

Step 1: Prepare fan location

The installation procedure is the same whether the flue is round or square. If a clay tile flue liner is installed, it might stick up a few inches. Cut it back so it is flush with or no more than 1/2 inch above the chimney crown.

Measure the inside diameter of the flue, cut a corresponding hole in the fiber mat leaving a minimum distance of 3/4" to any side of the fiber mat.

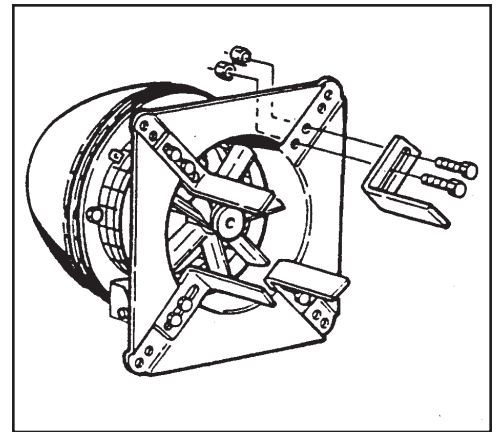
The aluminum foil on the fiber mat must face upwards (against fan base).



Step 2: Preparation of fan

Locate the installation brackets in the slots going through the fan base, using the bolts and nuts supplied to secure the brackets. If the flue diameter is larger than the chimney fan inlet, the bracket can be installed underneath the base. Note that the bolts must be installed from the bottom side.

Adjust the final position of the brackets ensuring that there is clearance between the brackets and the flue wall. If the brackets touch the wall, it may generate some vibration noise.

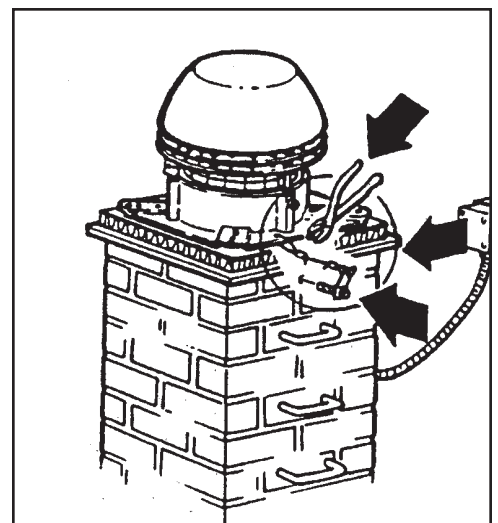


Step 3: Attaching the fan

The chimney fan is now ready for installation on the top of the chimney. Place fiber mat with the aluminum foil facing upwards on the top of the chimney, and place the fan on top of the mat.

High temperature silicone can be applied on the side of the mat, but is not required. It can also be painted.

It is not necessary to bolt the fan to the chimney.



CAUTION

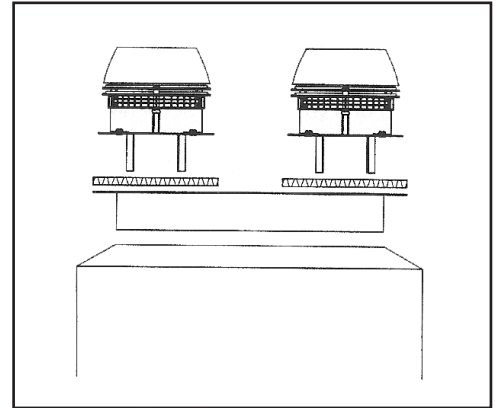


Under conditions with extremely strong winds surrounding the top of the chimney, the chimney fan must be secured by steel wires supplied with the fan.

3.4 MULTIPLE FANS ON STEEL CHIMNEY

If two or more chimney fans are required to create sufficient draft, installation procedures are the same as for single fan installation on a steel chimney. The only difference is that the fans are sitting next to each other on the top of the chimney. A special adapter plate is required.

When installing multiple fans, it is extremely important that the fans are of the same model and size, and they must be controlled in tandem by one (1) motor speed control.



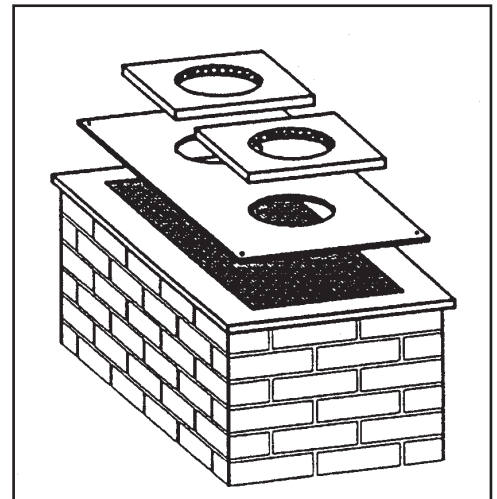
3.5 MULTIPLE FANS ON A BRICK CHIMNEY - OVERSIZED FLUE

If two or more fans are required to create sufficient draft, a special adapter plate is required. The adapter plate should be made of stainless steel (14 GA or thicker), depending on the size and the fan models used.

The two holes in the plenum box should match the throat diameter of the fan model used and the distance from center to center should be at least equal to the fan width (dimension "B" in 1.5. Dimensional data).

The adapter should be sealed with silicone and bolted onto the top. When installing multiple fans, it is extremely important that the fans are of the same model and size, and they must be controlled in tandem by one (1) motor speed control.

A similar approach should be taken if the flue size exceeds the fan base dimensions. The adapter plate should be sized so it covers the flue and secured. A hole should be cut in the center of the plate and the fan mounted centered over the hole.



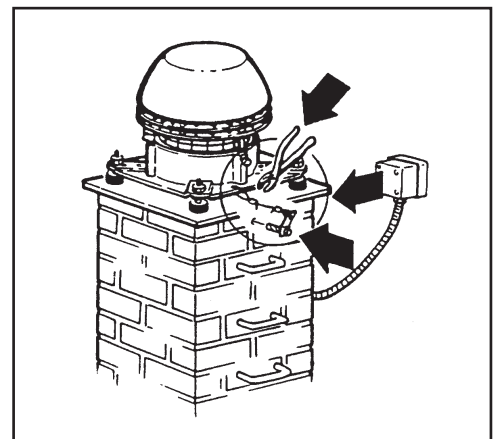
3.6 INSTALLATION FOR HIGH TEMPERATURES

If the fan is used for applications where the flue gas temperatures exceed 400°F at the flue exit, and does not exceed 650°F, dilution bolts must be used.

Dilution bolts will cause cool air to dilute the warm flue gas, by lifting the fan and leaving space so the cool air can get in under the fan base.

The dilution bolts should be installed in the outer holes in the fan base.

The dilution bolts are adjustable and should be adjusted so the flue gas temperature does not exceed 400°F when discharged through the fan. When using dilution bolts the fan's actual capacity is reduced and a stronger model may be required. The fiber mat is not required when using dilution bolts.

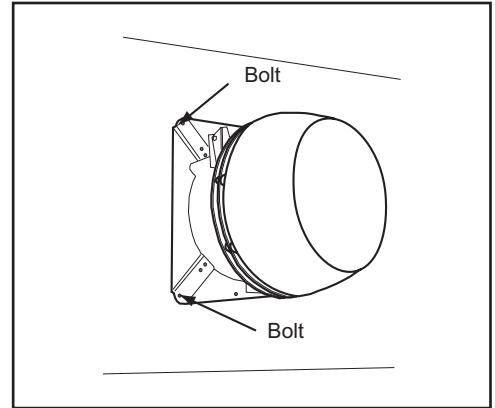


3.7 WALL MOUNTING OF CHIMNEY FAN

When mounting the chimney fan on a wall, the installation instructions for installation on a steel chimney should be followed. Use of the adapter SCA can make the installation easier, but is not a requirement.

To ease installation, detach the fan base by removing the bolts holding the hinges together. Center the fan base over the outlet and bolt the base onto the wall with the hinges pointing upwards.

After mounting the base securely, attach the fan motor housing by reassembling the fan hinges. Seal with silicone all around the fiber mat to prevent rain from entering the flue.

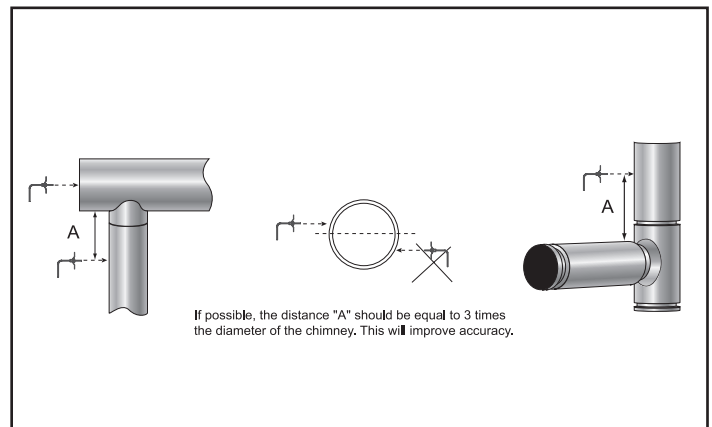


3.8 INSTALLATION OF PROVEN DRAFT SWITCH (PDS)

A safety system must be interlocked with the appliance(s). The safety system could utilize a Proven Draft Switch, a thermal switch or a flow switch. The device must be interlocked with the heating appliance so it shuts down in case of insufficient draft, fan failure or power failure. Please refer to the PDS Installation Manual if this control is used.

For more information on alternative safety systems, please contact ENERVEX, Inc.

The figure shows the location of the probe for the PDS. Location is important to make sure there is enough pressure or draft available or the switch to work.



CAUTION

A safety device that prevents the heating appliance operation, in case of a power failure or inadequate draft situation, must be installed.

3.9 TERMINATION OF VENTING SYSTEM

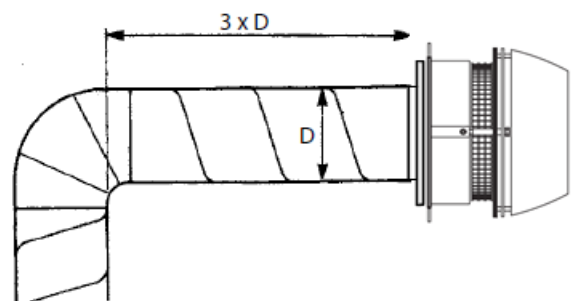
In order to achieve optimal performance and energy consumption for the RS Fan or GSV Fan, the duct must be installed as shown below and the distances observed. From the last elbow to the termination point the distance has to be 3 times the diameter of the flue. For example if you using 12in flue (12 X 3 = 36in). So the distance from the last elbow to the fan termination point should be 36 inches..

A venting system that terminates in the sidewall of a structure shall terminate at least 3 ft (0.9 m) above any air inlet to the structure that is within 10 ft (3 m) of the termination point.

Exception No. 1: This requirement shall not apply to the combustion air intake of a direct vent appliance.

Exception No. 2: This requirement shall not apply to the separation distance between the circulating air inlet and the vent discharge of a listed outdoor appliance.

The flue gas outlet of an appliance other than a direct vent appliance shall terminate at least 4 ft (1.2 m) below, 4 ft (1.2 m) horizontally from, or 1 ft (0.3 m) above any door, window, or gravity air inlet of the structure. The outlet also shall terminate at least 1 ft (0.3 m) above grade.

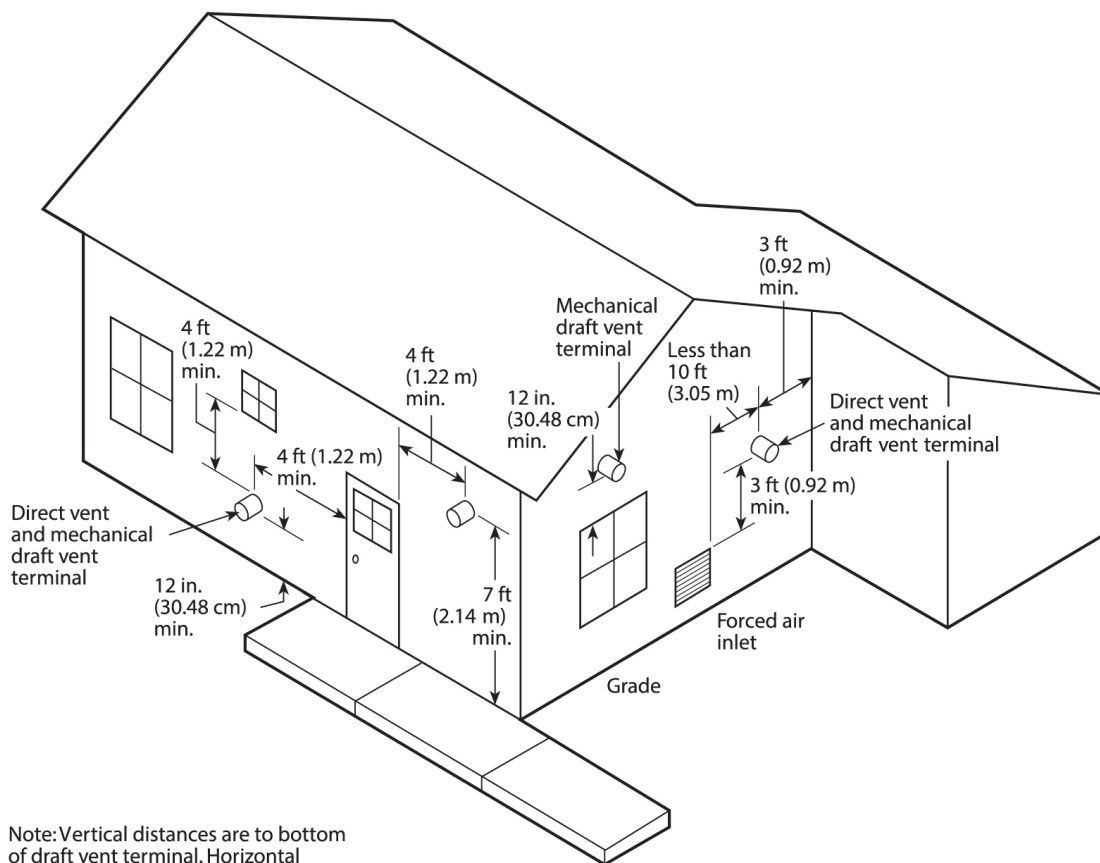


The combustion air inlet and flue gas outlet of a direct vent appliance or the flue gas outlet of an appliance other than a direct vent appliance shall terminate at least 1 ft (0.3 m) from the soffit of the roof of the structure and at least 3 ft (0.9 m) from an inside corner of an L-shaped structure.

The flue gas outlet terminal of a direct vent application with an input of 50,000 Btu/hr (0.35 gal/hr) or less shall be located at least 9 in. (230 mm) from any door, window, or air inlet to the structure. The vent terminal of a direct vent appliance with an input over 50,000 Btu/hr (0.35 gal/hr) shall be located at least 1 ft (0.3 m) from any door, window, or air inlet to the structure. Regardless of input, the flue gas outlet terminal shall also terminate at least 1 ft (0.3 m) above grade.

The exit terminals of mechanical draft systems shall not be less than 7 ft (2.1 m) above grade when located adjacent to public walkways.

Any air inlet and any flue gas outlet of any appliance shall terminate at least 5 ft (1.6 m) from the vent outlet of a supply tank.




Source: NFPA 31: Standard for the Installation of Oil-Burning Equipment

4. ELECTRICAL INSTALLATION

4.1 GENERAL

DANGER



Turn off electrical power before servicing.
Contact with live components can cause shock or death.

All electrical wiring must be in compliance with the local codes or in their absence, with the National Electric Code, NFPA 70 — latest edition. If an external electrical source is utilized, system must be electrically grounded in accordance with requirements of the authority having jurisdiction or, in the absence of such requirements, with the National Electrical Code NFPA 70 — latest edition.

Power requirements for the system depends on the fan size. Electrical requirements are:

- RSHT009 1 x 120 V/60 Hz 0.4 Amps
- RSHT012 1 x 120 V/60 Hz 1.2 Amps
- RSHT014 1 x 120 V/60 Hz 1.4 Amps
- RSHT016 1 x 120 V/60 Hz 3.9 Amps


The chimney fans have a split capacitor motor with infinitely variable speed.

The fan speed control supplied is rated 1 x 120 V/60 Hz and 5 Amps. It has an adjustable low voltage set point of min. 65 V +/- 5 V.

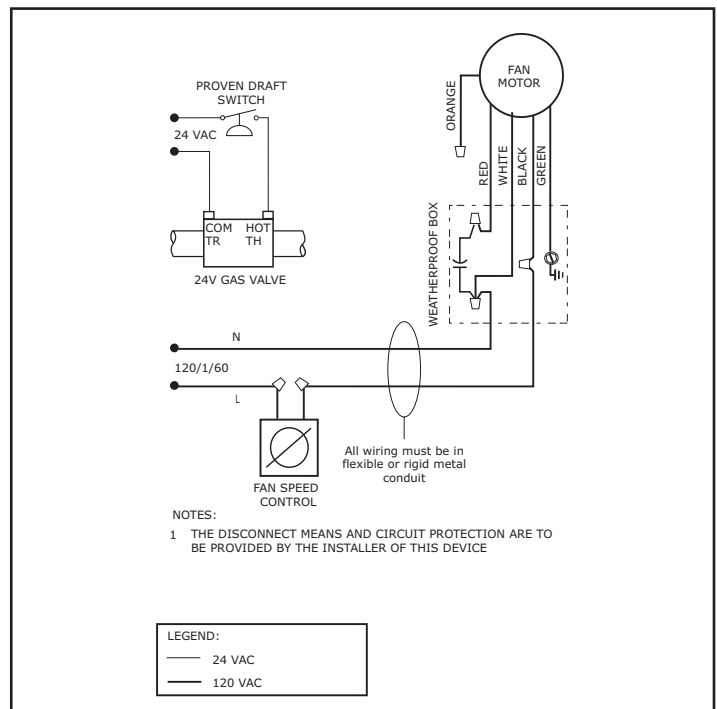
4.2 WIRING DIAGRAM FOR SINGLE FAN WITH FAN SPEED CONTROL

The wiring diagram at right shows the wiring of the chimney fan and how it is connected to the fan speed control.

NOTICE

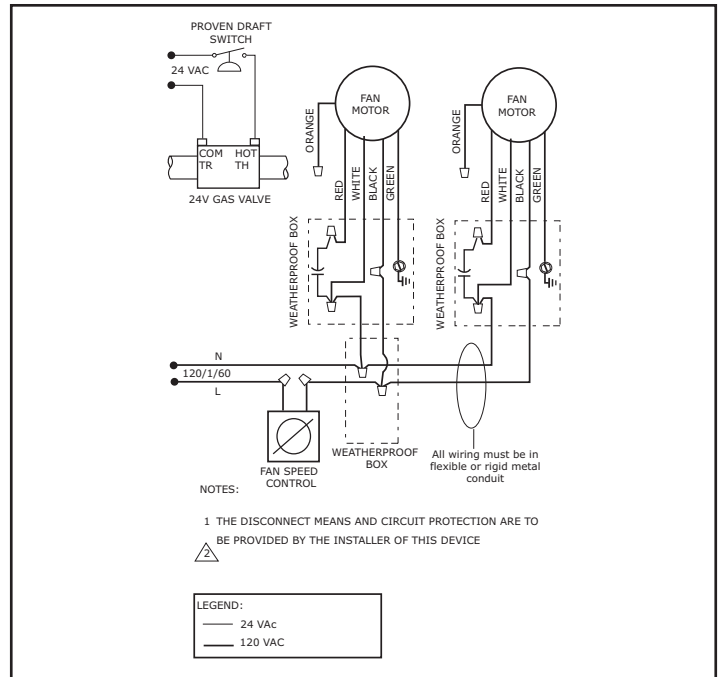


If any of the original wire supplied with the system must be replaced, use similar wire of the same temperature rating. Otherwise, insulation may melt or degrade, exposing bare wire.



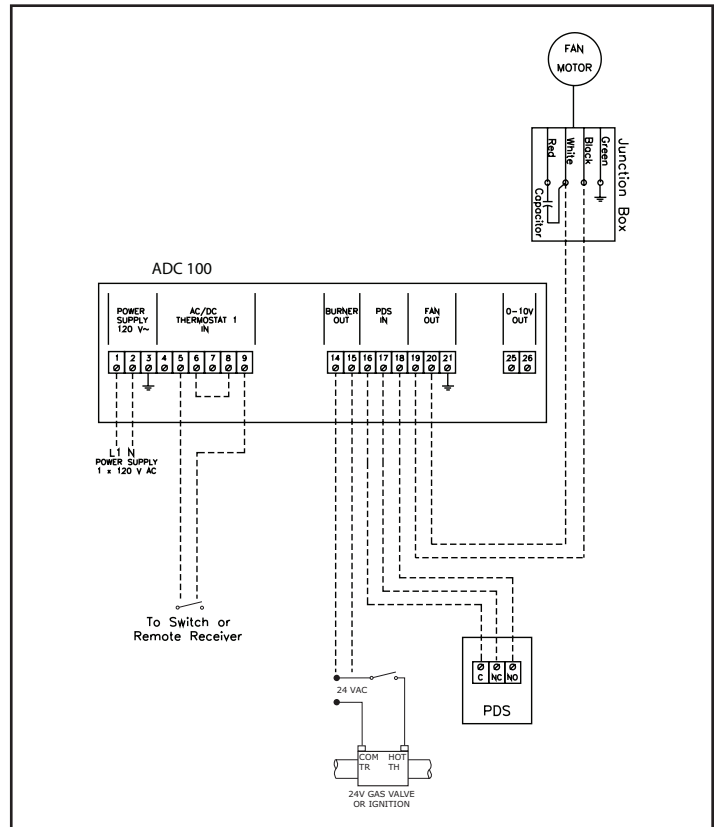
4.3 WIRING DIAGRAM FOR TWO FANS WITH FAN SPEED CONTROL

The diagrams at right show the wiring of two chimney fans and how they are connected to the fan speed control.



4.4 WIRING DIAGRAM FOR SINGLE FAN WITH ADC-100

The diagrams at right show the wiring of a single chimney fan when used in conjunction with an ADC 100P or ADC 100-E Control.



5. STARTUP AND CONFIGURATION

5.1 SYSTEM TESTING

Before any adjustments are made to the system, follow these procedures:

1. Turn the chimney fan ON and make sure that it is operating. Increase and decrease the speed of the fan by adjusting the fan speed control to make sure it is operating properly.
2. Turn the fan OFF and make sure the pressure switch opens, on the power to the circuit it controls is disconnected.

DANGER



Check other heating appliances (water heater, furnace, etc.) for proper operation while the chimney fan is operating. Make sure no flue gases are spilling out as this can lead to carbon monoxide poisoning.

5.2 ADJUSTING THE CHIMNEY FAN SPEED

Start up all appliances. Use the fan speed control to set the speed of the chimney fan so no back pressure is experienced anywhere in the system. Check the system for flue gas spillage. Mark this setting on the fan speed control cover.

5.3 ADJUSTING THE PROVEN DRAFT SWITCH SETTING

Remove the snap-on cover from the conduit enclosure by loosening its retaining screw. Turn the slotted Adjustment Screw clockwise to raise the set point pressure and counter clockwise to lower the set point.

Set the adjustment to its lowest position. With all appliances operating, reduce the speed of the fan to the set point, where the appliance(s) starts to spill flue gas. Increase the speed of the fan gradually to the point where there is no more spillage. Raise the switch's set point so it opens. Return the fan speed to the original setting marked on the cover.

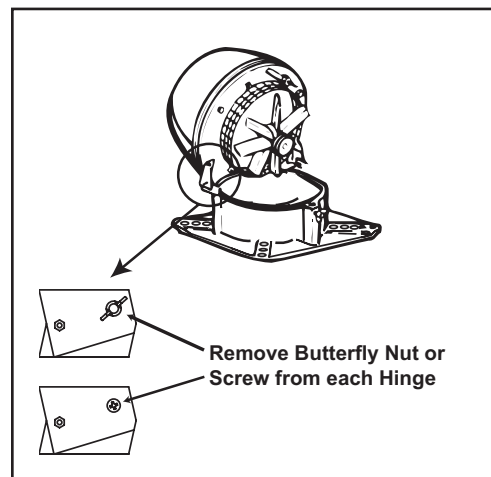
The system is now adjusted so the flue gas spillage will disconnect the heating appliance(s).

The procedure described here may not cover all Proven Draft Switches, so please review the Installation Manual for the switch being used.

6. MAINTENANCE AND TROUBLESHOOTING

6.1 PRIOR TO CLEANING

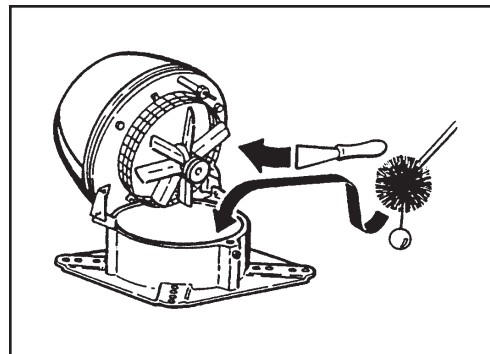
Remove butterfly nut or screw from each hinge prior to cleaning.



6.2 CARE AND CLEANING

The Chimney Fan System is designed for prolonged use. The fan should be inspected at least one a year when the chimney is inspected. Fuel residues and other deposits should be removed from the fan blades and the bottom of the motor housing.

The top of the fan is hinged and can be opened in order to ease the cleaning.



NOTICE



If any of the original wire supplied with the system must be replaced, use similar wire of the same temperature rating. Otherwise, insulation may melt or degrade, exposing bare wire.

6.3 CHIMNEY CLEANING INTERVALS

It is extremely important to keep the chimney flue clean from combustion and deposits. Unburned oil residues can cause chimney fires.

Cleaning intervals depend on the use of the appliance. The more the appliance is used, the more often the chimney flue needs cleaning. As there are no firm guidelines for cleaning intervals, have the chimney inspected on a regular basis (every quarter or so) to determine what the interval should be. Then follow this interval.

No matter how much used, a chimney flue should be cleaned and inspected at least once every year.

NOTE:

The chimney should be cleaned by a trained professional.

We recommend using a Certified chimney sweep certified by Chimney Safety Institute of America.

6.4 TROUBLESHOOTING

Observation	Problem	Solution
There is no power going to the fan	<ul style="list-style-type: none"> – The circuit breaker may be off – Fan speed control is off – Bad electrical connections 	<ul style="list-style-type: none"> – Check the circuit breaker – Turn fan speed control on – Check and correct problem
There is power to the fan but it is not operating	<ul style="list-style-type: none"> – Bad electrical connections – The fan speed control's low voltage setting is too low – The fan speed control is bad 	<ul style="list-style-type: none"> – Check and correct problems with connections. Pay special attention to the wiring in the junction box – Increase the setting with the plastic screw on the fan speed control's front plate – Replace the fan speed control
There is power to the fan but it hums and does not turn	<ul style="list-style-type: none"> – The motor run capacitor may be bad. – Creosote may stick 	<ul style="list-style-type: none"> – Check capacitor and replace if necessary – Clean fan
The fan seems to work fine, but there is not enough draft	<ul style="list-style-type: none"> – The fan may be undersized 	<ul style="list-style-type: none"> – Replace with a larger fan
The fan vibrates	<ul style="list-style-type: none"> – The motor shaft may be bent 	<ul style="list-style-type: none"> – Replace motor
There is airflow noise from the fireplace opening	<ul style="list-style-type: none"> – The flue is undersized. – The fan is oversized and running too fast 	<ul style="list-style-type: none"> – There is not much to do about it. Try to reduce the fireplace opening – Reduce the fan speed
Mechanical noise can be heard	<ul style="list-style-type: none"> – Foreign matter may be stuck – Motor bearings may be worn out 	<ul style="list-style-type: none"> – Remove matters – Replace bearings