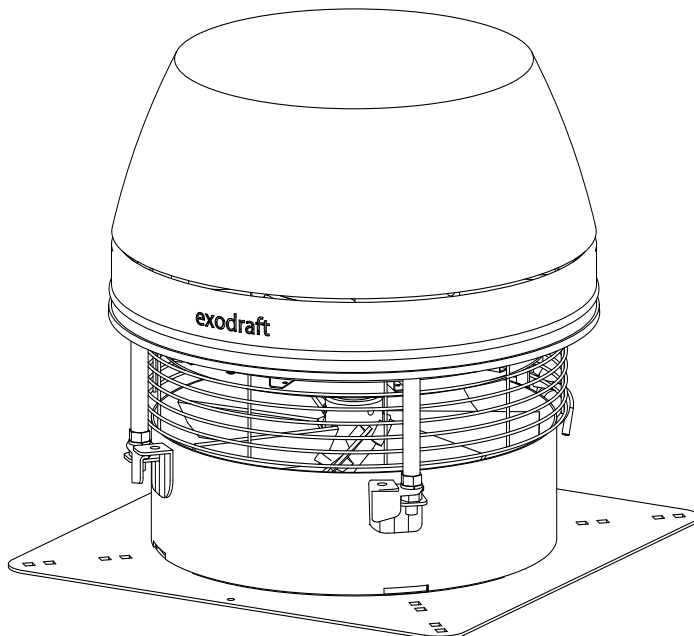







RSHT009-016



READ AND SAVE THESE INSTRUCTIONS!

	Product information	Chapters 1 + 2
	Mechanical installation	Chapter 3
	Electrical installation	Chapter 4
	Start up and configuration	Chapter 5
	Maintenance and troubleshooting	Chapter 6

USA

CAN

Job name: _____

Installer: _____

Installation date: _____



Contents

2

1. Product information

1.1 Function	3
1.2 Shipping	3
1.3 Warranty	3

2. Specifications

2.1 Dimensions and capacities	4
2.2 Planning ahead	5

3. Mechanical installation

3.1 Transport safety device	6
3.2 Prior to operation	6
3.3 Single fan on steel chimney	6
3.4 Single fan on brick chimney	7
3.5 Multiple fans on steel chimney	8
3.6 Multiple fans on a brick chimney – oversized flue	8

4. Electrical installation

4.1 General	9
4.2 Connection and wiring diagram for single fan with fan speed control	9
4.3 Connection and wiring diagram for two fans with fan speed control	10
4.4 Connection and wiring diagram for single fan with EFC211	10

5. Start-up and configuration

5.1 System testing	11
5.2 Testing fireplace or stove	11
5.3 Testing pizza oven	11
5.4 Operating fireplace and stove	11
5.5 Operating pizza oven	12

6. Maintenance and troubleshooting

6.1 Care and cleaning	12
6.2 Replacing wheel and motor	13
6.3 Chimney cleaning intervals	14
Notes	15

Symbol legend

The following terms are used throughout this manual to bring attention to the presence of potential hazards or to important information concerning the product.



DANGER

Indicates an imminent hazardous situation which, if not avoided, will result in death, serious injury or substantial property damage.



CAUTION

Indicates an imminent hazardous situation which, if not avoided, may result in personal injury or property damage.



TO REDUCE THE RISK OF FIRE, ELECTRICAL SHOCK OR INJURY TO PERSONS, OBSERVE THE FOLLOWING:

1. Use this unit in the manner intended by the manufacturer. If you have questions, contact the manufacturer's distributor at the address or telephone number listed on the front of the manual.

2. Before servicing or cleaning the unit, switch off at service panel and lock service panel to prevent power from being switched on accidentally.

3. Installation work and electrical wiring must be done by a qualified person(s) in accordance with applicable codes and standards.

4. Follow the appliance manufacturer's guidelines and safety standards such as those published by the National Fire Protection

Association (NFPA), and the American Society for Heating, Refrigeration and Air Conditioning Engineers (ASHRAE), and the local code authorities.

5. This unit must be grounded.

How to use this manual

This installation manual does not contain any system design documentation. System design documentation is available from ENERVEX.

Accessories and variable frequency drives are not covered by this manual. Please refer to these component's individual manuals.

1. Product information

1.1 Function

Use **exodraft** model RSHT chimney fan is a chimney top mounted ventilator that is designed to provide large flue gas volume capacities. It is intended for use with solid fuel but can also be used for non-solid fuel provided a safety system is part of the installation (refer to the manual: "RS for Gas & Oil Applications"). The use of the RSHT chimney fan is not restricted to any type of chimney, because the fan creates a negative pressure (below atmospheric) in the chimney. Typical uses are: Controlling the draft for a residential solid fuel fired boiler, fireplace, stove, BBQ, or pizza oven.

Function The RSHT chimney fan is designed to be able to withstand the high temperatures associated with wood burning and to minimize the creosote buildup in the chimney flue and on the chimney fan. The axial vane construction provides a self-cleaning effect. This product is developed to prevent draft problems by creating a mechanical draft in venting systems and thereby also increasing the capacity and efficiency of a venting system. Though the chimney fan is not limited to such use, it is perfect for use with fireplaces, barbecues, pizza ovens and wood stoves.

Code compliance Installations must conform to requirements of the authority having jurisdiction. Where required by the authority having jurisdiction, the installation must also conform to the UL 378 Standard for Draft Equipment and NFPA 211. All electrical wiring must be in accordance with the requirements of authority having jurisdiction or, in the absence of such requirements, with the National Electrical Code, NFPA70.

1.2 Shipping

The packing list (attached to one of the packages) clearly lists all items in the shipment and each package has a label showing the contents. Check the list against all materials on the job site for completeness.



NOTE

All single phase fans are shipped with a capacitor and junction box connected via conduit. The capacitor is located INSIDE the junction box. Please do not discard.

1.3 Warranty

exodraft products are warranted for a period of two (2) years following the date of invoice. Replacement or repair will be at **exodraft's** discretion, provided factory inspection shows a defect in material or workmanship.

2-Year Factory Warranty

We promise the original user that we will replace or repair as we may elect, any part or parts of the new RSHT Chimney Fan which are defective in material or workmanship without charge for parts and labor (not including labor for dismantling and installation, freight, etc.) during the first 2-years following the date of installation.

10-Year Corrosion Perforation Warranty

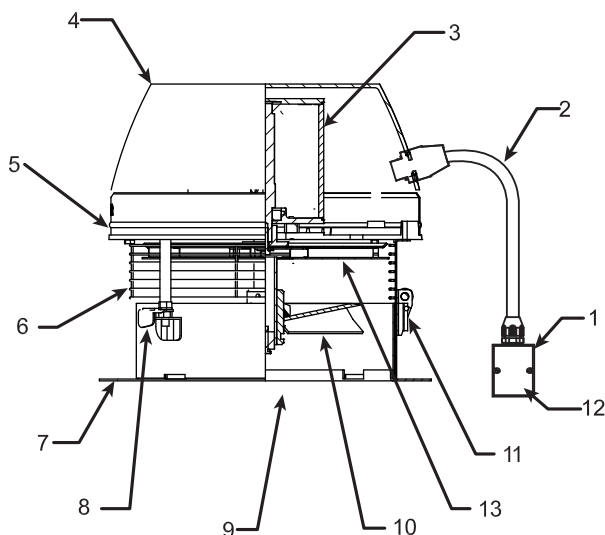
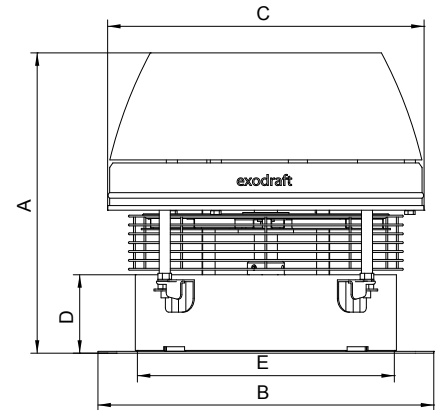
We promise the original user that we will replace or repair as we may elect, any part or parts of the RSht Chimney Fan which are perforated due to corrosion without charge for parts or labor (not including dismantling and installation, freight, etc.) during the first 10-years following the date of installation.

Complete warranty conditions are available at www.enervex.com or request a copy at: info@enervex.com or at tel.: 1-800.255.2923.

2. Specifications

2.1 Dimensions and capacities

Model		RSHT009	RSHT012	RSHT014	RSHT016	
Discharge		Horizontal				
Fan Type		Axial Vane				
Motor Type		Totally enclosed, Variable speed, Class F				
Voltage	V AC	1x120				
RPM		1610	1600	1725	1520	
CFM	0.0 Ps	275	530	830	1430	
Amperage	Amps	0.65	1.33	2.7	4.4	
Motor Output	HP	0.11	0.13	0.20	0.36	
	kW	0.08	0.10	0.15	0.27	
Weight	lbs	25.6	33.5	41.9	47.2	
	kg	11.6	15.2	19.0	21.4	
Dimensions	A	in	11.7	12.8	14.6	15.7
		mm	298	325	372	400
	B x B	in	11.7	14.3	16.6	18.8
		mm	296	364	422	478
	C	in	10.8	13.5	15.6	17.4
		mm	275	344	395	441
	D	in	3.0	3.3	3.9	3.9
		mm	75	85	100	100
	E	in	8.7	11.0	13.0	15.0
		mm	220	280	330	380
Max. temperature Rating	Interm.	1.330 °F/721 °C				
	Cont.	930 °F/499 °C				
The RSHT is type tested according to UL378 at 1000 °F flue gas temperature in 70 °F ambient temperature						



- 1 Junction box
- 2 Conduit/cord
- 3 Motor
- 4 Motor housing
- 5 Motor plate
- 6 Bird screen
- 7 Base plate
- 8 Locking handle
- 9 Inlet
- 10 Axial vane
- 11 Hinges
- 12 Capacitor (inside junction box)
- 13 Cooling wheel

2.2 Planning ahead



1. Observe proper combustion air requirements.
2. Provide a firm support system for the chimney fan.
3. Determine the type of system involved.
4. Observe proper safety measures are taken to assure safe use of the wood burning appliances.

Combustion air requirements

Provisions for combustion air must be in accordance with applicable local codes.

Adequate fresh air must be provided for combustion; otherwise, improper operation and inadequate venting of deadly flue gases may result.

Support system Prior to installation of the chimney fan, it must be assured the chimney can safely carry the weight of the chimney fan.
A steel chimney should be well supported at the roof penetration point. If the chimney extends more than 20' above the roof, the chimney and the fan should be secured by wires attached on the chimney and on the roof at 2 to 3 different points.
Brick chimneys usually do not need any kind of support to carry the weight of the chimney fan.

System type Fireplaces and wood stoves used in residences normally operate in a relatively stable environment, where no major pressure fluctuations occur. However, speed adjustments and adjustment of air-intakes are required as the wood burns and new wood is added to the fire.

Fireplaces used in restaurants are exposed to major pressure changes. Doors open, doors close, kitchen exhaust fans pull out air, etc. Spillage can easily occur.

Wood-fired pizza ovens and barbecues are normally installed in restaurant kitchens where kitchen exhaust fans are operating. Consequently, the operator should pay attention to the fact that even with a well balanced exhaust system, it will be necessary to adjust the fan speed in order to avoid spillage.

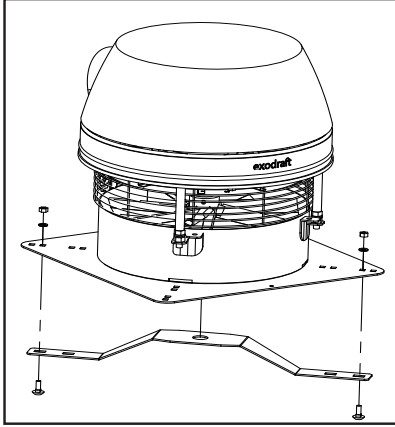


3. Mechanical installation

6

3.1 Transport safety device

Remove the transport safety device from the vane and make sure that the vane can revolve without hindrance.



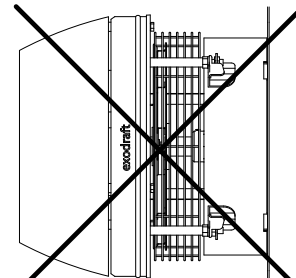
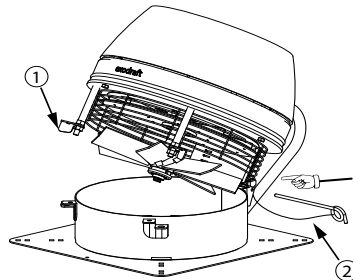
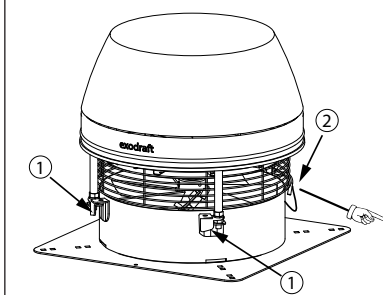
3.2 Prior to operation

To open the fan:
Turn the two handles (1) and pull out the lock pin (2) at the rear of the fan.

To secure the fan in open position
place the lock pin (2) in the bracket again.

Always mount the fan in vertical position.

DO NOT MOUNT HORIZONTALLY



3.3 Single fan on steel chimney

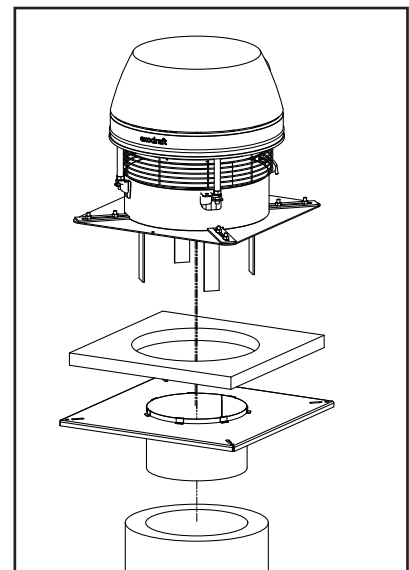
Step 1: Prepare fan location

- If a stack cap is already installed, it must be removed. The steel chimney adapter (SCA) slides right into the chimney, where the long collar engagement ensures safe anchoring. If necessary, the adapter can be secured by means of long self-tapping stainless steel screws into the side of the collar through the chimney wall.



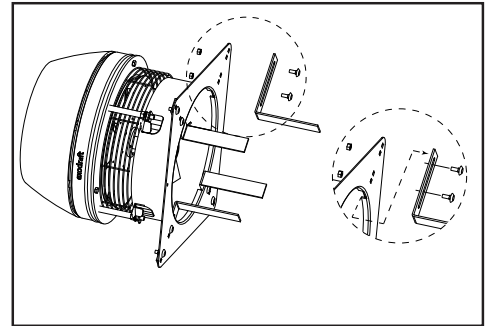
If the steel chimney is air cooled, a special adapter for such chimney must be used.

- Measure the inside diameter of the flue and cut a corresponding hole in the center of the fiber mat. If the flue is so big that the throat in the adapter has been reduced to fit the throat of the fan, the hole in the fiber mat should correspond to the throat.
- The aluminum foil on the fiber mat must face upward (against fan base).

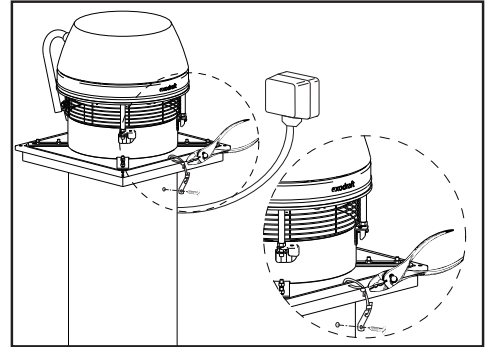


Step 2: Preparation of exodraft fan

- Locate the installation brackets in the slots going through the fan base part, using the bolts and nuts supplied to secure the brackets. If the flue diameter is larger than the chimney fan inlet, the bracket can be installed underneath the base part. Note that the bolts must be installed from the bottom side.
- Adjust the final position of the installation brackets ensuring that there is a small gap between the brackets and the flue wall/adaptor throat.
- Tighten the nuts. If the brackets touch the flue wall, it may create some vibration noise.

**Step 3: Attaching the fan**

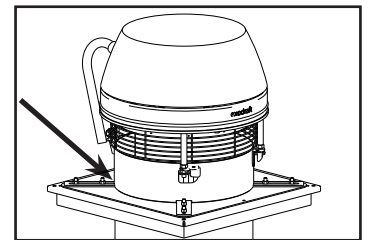
- The chimney fan is now ready for installation on the top of the chimney.
- Place the fiber mat with the aluminum foil facing upwards on the top of the adapter, and place the fan on top of the mat.
- High temperature silicone can be applied on the side of the mat, but is not required.
- It can also be painted. It is not necessary to bolt the fan to the chimney.

**Step 4: Sealing the slots**

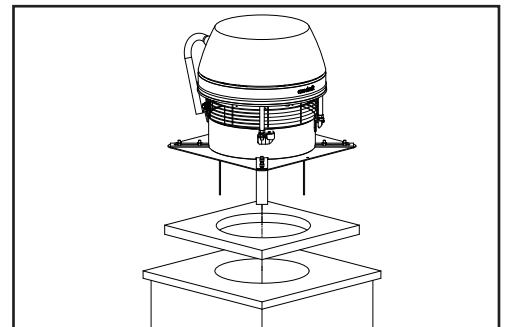
- To avoid rainwater to enter the chimney the 4 slots must be sealed with silicone.

**CAUTION**

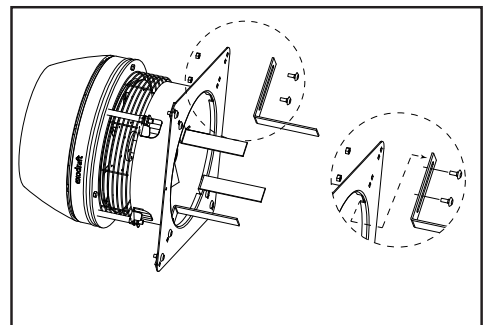
Under conditions with extremely strong winds surrounding the top of the chimney, the chimney fan must be secured by steel wires supplied with the fan.

**3.4 Single fan on brick chimney****Step 1: Prepare fan location**

- The installation procedure is the same whether the flue is round or square. If a clay tile flue liner is installed, it might stick up a few inches. Cut it back so it is flush with or no more than 1/2 inch above the chimney crown.
- Measure the inside diameter of the flue, cut a corresponding hole in the fiber mat leaving a minimum distance of 3/4" to any side of the fiber mat.
- The aluminum foil on the fiber mat must face upwards (against fan base).

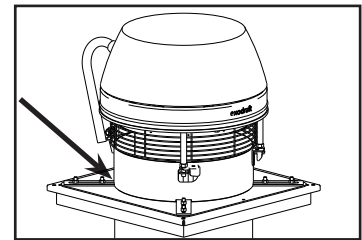
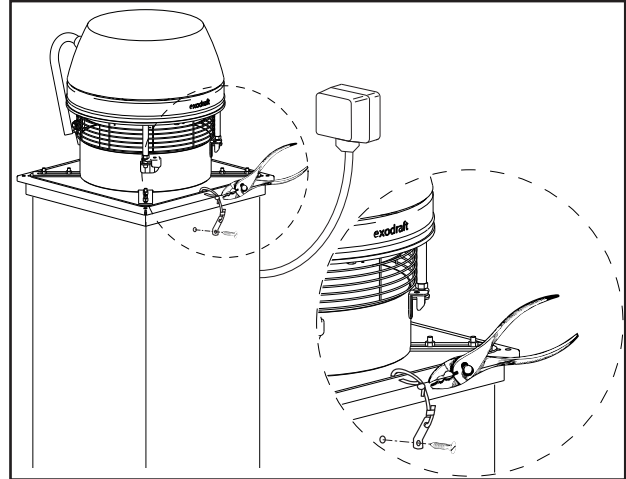
**Step 2: Preparation of fan**

- Locate the installation brackets in the slots going through the fan base part, using the bolts and nuts supplied to secure the brackets. If the flue diameter is larger than the chimney fan inlet, the bracket can be installed underneath the base part. Note that the bolts must be installed from the bottom side.
- Adjust the final position of the brackets ensuring that there is clearance between the brackets and the flue wall. If the brackets touch the wall, it may generate some vibration noise.



Step 3: Attaching the fan

- The chimney fan is now ready for installation on the top of the chimney. Place fiber mat with the aluminum foil facing upwards on the top of the chimney, and place the fan on top of the mat.
- High temperature silicone can be applied on the side of the mat, but is not required. It can also be painted.
- It is not necessary to bolt the fan to the chimney.

**Step 4: Sealing the slots**

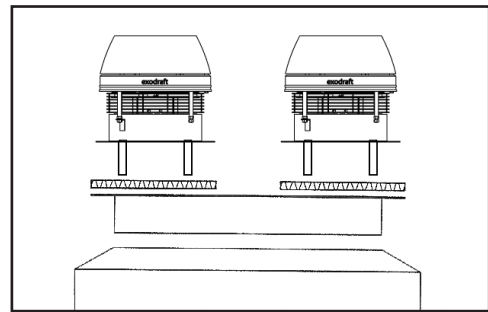
- To avoid rainwater to enter the chimney the 4 slots must be sealed with silicone.

**CAUTION**

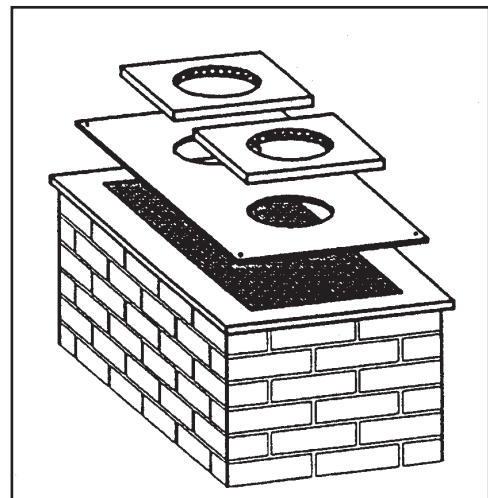
Under conditions with extremely strong winds surrounding the top of the chimney, the chimney fan must be secured by steel wires supplied with the fan.

3.5 Multiple fans on steel chimney

- If two or more chimney fans are required to create sufficient draft, installation procedures are the same as for single fan installation on a steel chimney. The only difference is that the fans are sitting next to each other on the top of the chimney. A special adapter plate is required (14 GA or thicker).
- When installing multiple fans, it is extremely important that the fans are of the same model and size, and they must be controlled in tandem by one (1) motor speed control.

**3.6 Multiple fans on a brick chimney – oversized flue**

- If two or more fans are required to create sufficient draft, a special adapter plate is required. The adapter plate should be made of stainless steel (14 GA or thicker), depending on the size and the fan models used.
- The two holes in the plate should match the throat diameter of the fan model used and the distance from center to center should be at least equal to the fan width (dimension "B" in 1.5. Dimensional data).
- The adapter should be sealed with silicone and bolted onto the top. When installing multiple fans, it is extremely important that the fans are of the same model and size, and they must be controlled in tandem by one (1) motor speed control.
- A similar approach should be taken if the flue size exceeds the fan base dimensions. The adapter plate should be sized so it covers the flue and secured. A hole should be cut in the center of the plate and the fan mounted centered over the hole.



⚡ 4. Electrical installation

4.1 General

⊘ DANGER
Turn off electrical power before servicing.
Contact with live electric components can cause shock or death.

All electrical wiring must be in accordance with requirements of authority having jurisdiction or, in absence of such requirements, with National Electrical Code NFPA 70 — latest edition. If an external electrical source is utilized, system must be electrically grounded in accordance with requirements of the authority having jurisdiction or, in the absence of such requirements, with the National Electrical Code NFPA 70 — latest edition.

Power requirements for the system depends on the fan size. Electrical requirements are:

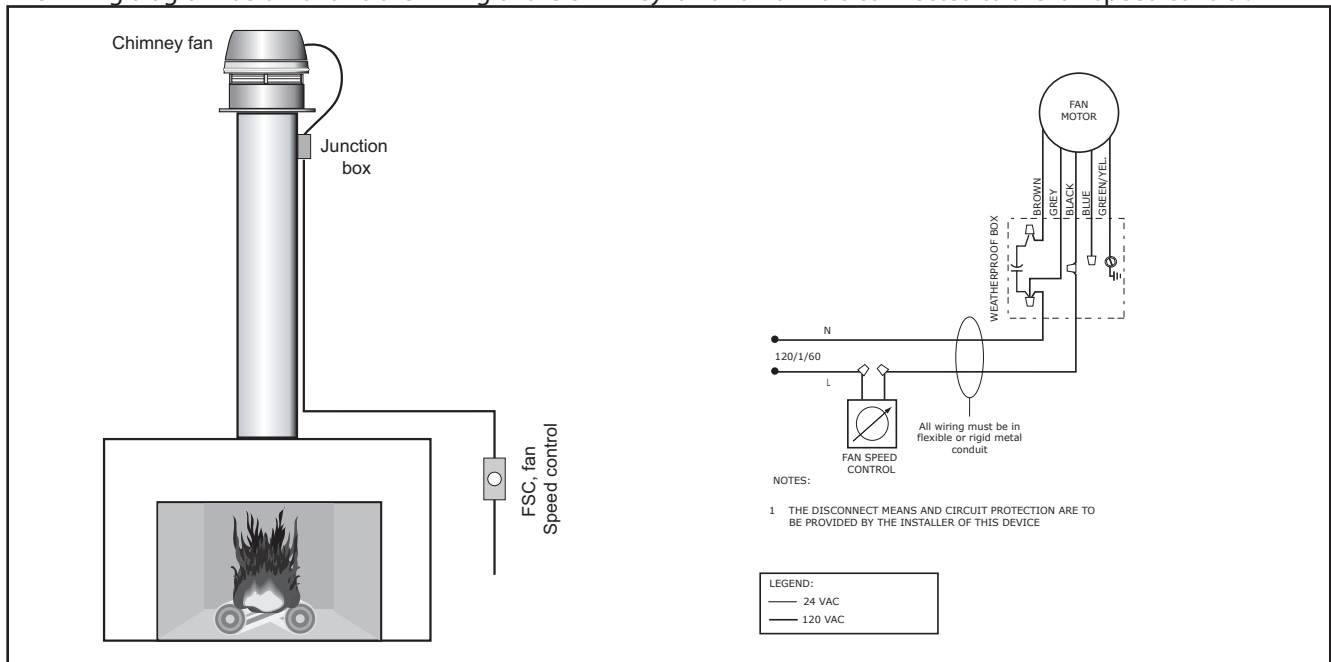
- RSHT009 1 x 120 V/60 Hz 0.65 Amps
- RSHT012 1 x 120 V/60 Hz 1.33 Amps
- RSHT014 1 x 120 V/60 Hz 2.7 Amps
- RSHT016 1 x 120 V/60 Hz 4.4 Amps

The **exodraft** chimney fans have a split capacitor motor with infinitely variable speed. The fan speed control supplied is rated 1 x 120 V/60 Hz and 5 Amps. It has an adjustable low voltage set point of min. 65 V +/- 5 V.

⚠ NOTICE
If any of the original wire supplied with the system must be replaced, use similar wire of the same temperature rating. Otherwise, insulation may melt or degrade, exposing bare wire.

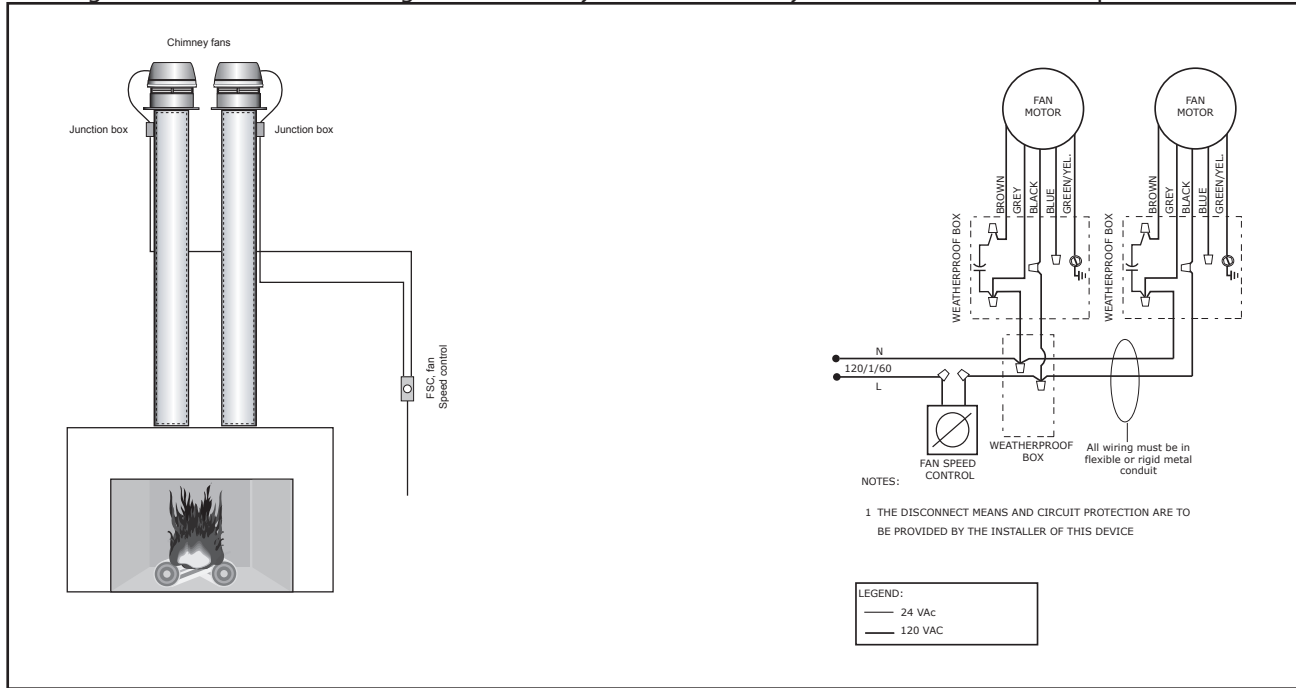
4.2 Connection and wiring diagram for single fan with fan speed control

The wiring diagram below shows the wiring of the chimney fan and how it is connected to the fan speed control.



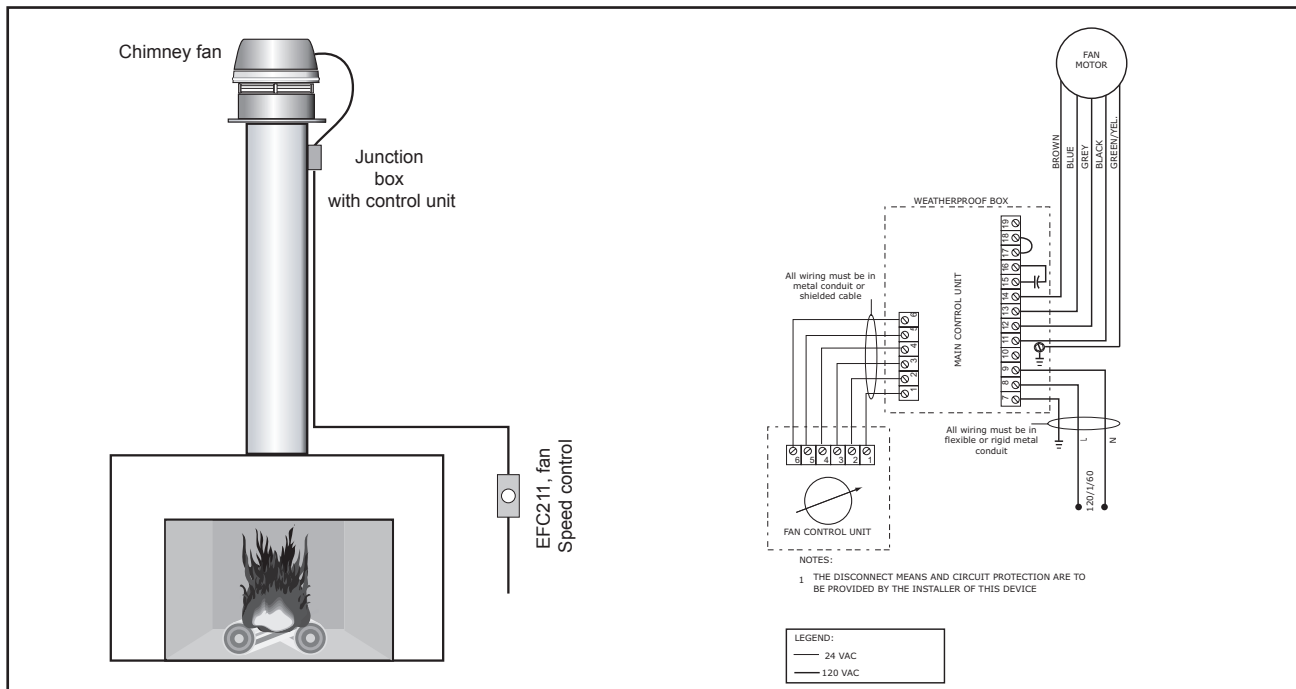
4.3 Connection and wiring diagram for two fans with fan speed control

The diagrams below show the wiring of two chimney fans and how they are connected to the fan speed control.



4.4 Connection and wiring diagram for single fan with EFC211

The diagrams below show the wiring of a single chimney fan when used in conjunction with an EFC211 control



5. Start-up and configuration

5.1 System testing

Before any adjustments are made to the system, follow these procedures:

Turn the chimney fan ON and make sure that it is operating. Increase and decrease the speed of the fan by adjusting the fan speed control to make sure it is operating properly.

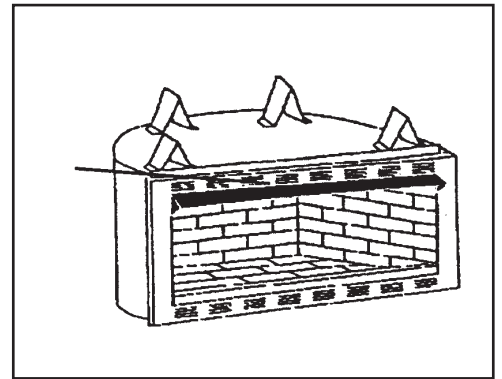


DANGER

Check heating appliances (water heater, furnace, etc.) for proper operation while the chimney fan is operating. Make sure no flue gases are spilling out as this can lead to carbon monoxide poisoning.

5.2 Testing fireplace or stove

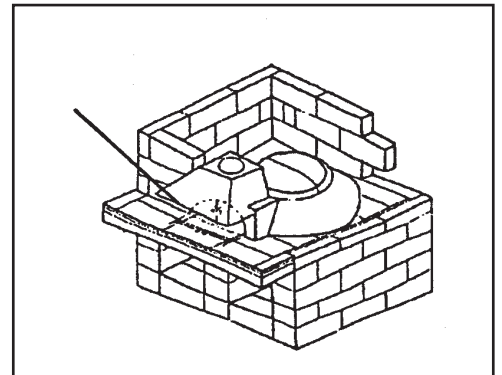
- Place a few logs on a grate or on the floor of the fireplace or stove.
- Before lighting the fire, set the fan at high/full speed (on stoves, open air intake completely).
- Light the fire and make sure there is no spillage from the fireplace opening or from the stove's air intake (see figure).
- When the fire has caught on, reduce the speed of the chimney fan to a point where it still removes the flue gases safely. Mark this setting on the fan speed control cover, as this will be the operating position/speed of the chimney fan.



5.3 Testing pizza oven

Most pizza ovens consist of a dome with a front opening that can be closed with a cast iron door. Above the opening a hood connected to the flue assures smoke and odors are collected and removed safely (see figure).

- Place a few logs in the back of the dome and set the fan at high/full speed. Light the fire. Turn on all exhaust fans (range hoods, etc.) and make sure there is no spillage from the hood into the room.
- When the fire has caught on, reduce the speed of the chimney fan to a point where it still removes the flue gases safely. Mark this setting on the fan speed control cover, as this will be the operating position/speed of the chimney fan.



5.4 Operating fireplace and stove

- Prior to starting a fire, set the fan at high/full speed and start the fire following the normal instructions for burning a fire in a fireplace or stove. After the fire catches on, after 3-5 minutes, reduce the speed of the chimney fan to a level where it safely removes the flue gases and a perfect flame can be maintained.
- When adding wood to the fire, it may be necessary to increase the fan speed for a short period of time. Following this procedure will help conserve energy and at the same time assure a maximum heating output from the heating appliance.

5.5 Operating pizza oven

- Prior to starting a fire, set the fan at high/full speed and start the fire following the oven manufacturer's instructions or, in the absence of such instructions, normal instructions for burning a fire in a fireplace or stove. After the fire catches on, after 3-5 minutes, reduce the speed of the chimney fan to a level where it safely removes the flue gases and a perfect flame can be maintained.
- When adding wood to the fire, it may be necessary to increase the fan speed for a short period of time.



CAUTION

Do not over-fire the fireplace, stove or pizza oven. Small deposits of creosote could be ignited and start a small chimney fire which could cause the chimney flue to reach a dangerously high temperature.

6. Maintenance and troubleshooting

6.1 Care and cleaning

The **exodraft** Chimney Fan is designed for prolonged use. The fan should be inspected at least once a year when the chimney is inspected. Creosote and other deposits should be removed from the fan blades and the bottom of the motor housing.

The top of the fan is hinged and can be opened in order to ease the cleaning.



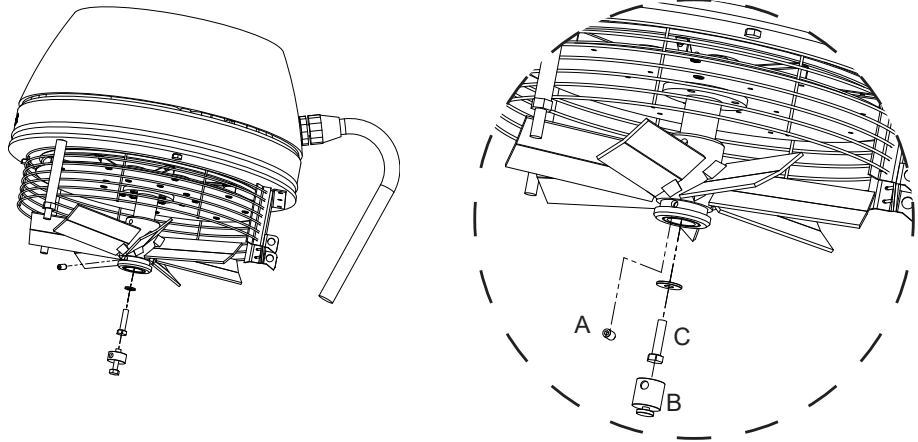
WARNING

Do not open the motor housing unless power to the chimney fan has been disconnected.

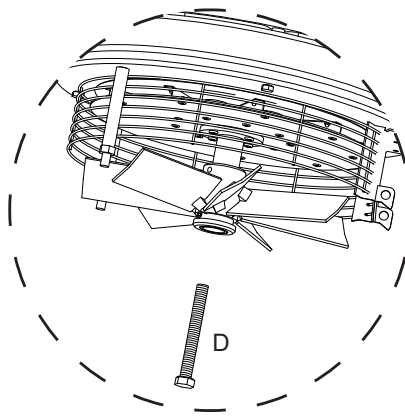
6.2 Replacing wheel and motor

Replace wheel

- A. Loosen the insert hex screw
- B. Pull the vane plug out
- C. Unscrew and remove the 1/4" bolt at the end of the vane pipe axle

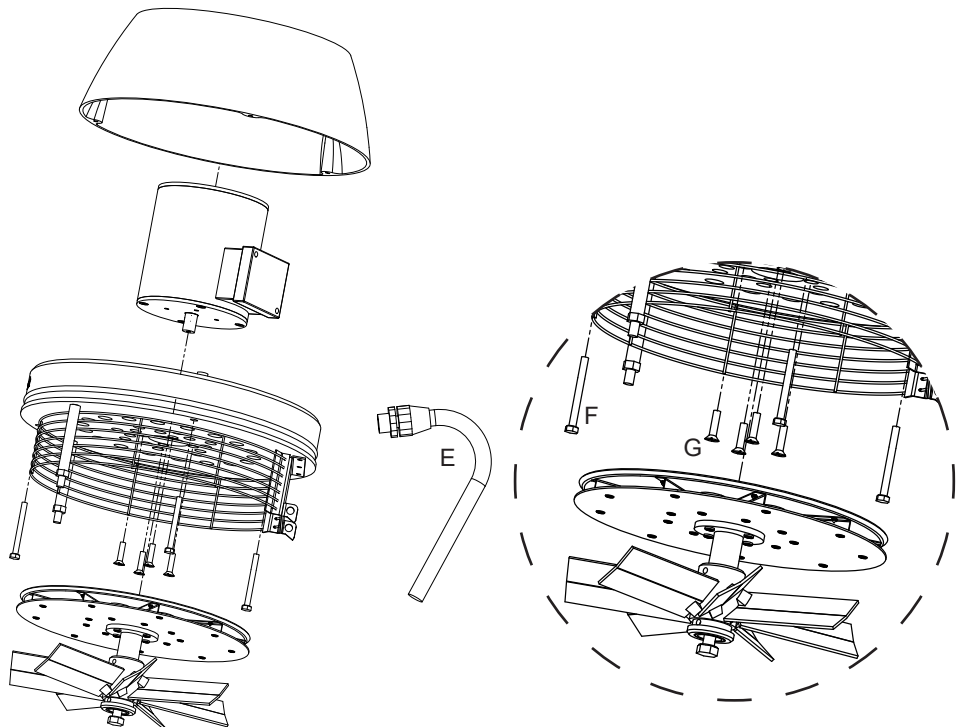


- D. Use a 3/8" UNC bolt min. length 5.5" to draw the wheel of the motor axle. Thread length minimum 1 1/2"



Replace Motor

- E. Loosen the cable gland
- F. Remove the three screws securing the top part
- G. Remove the four screws securing the motor



6.3 Chimney cleaning intervals

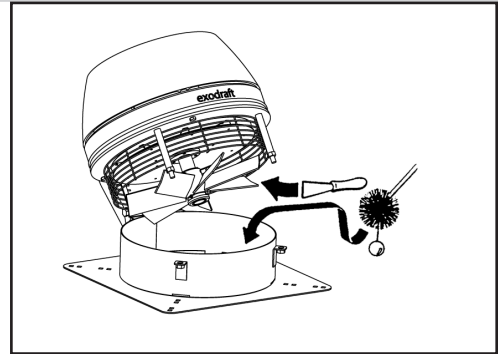
14

It is extremely important to keep the chimney flue clean from creosote and deposits. Creosote is the major cause of chimney fires.

Cleaning intervals depend on the use of the appliance. The more the appliance is used, the more often the chimney flue needs cleaning.

If a fireplace is used regularly (2-3 times a week), semi-annual chimney cleaning may be required. If it is used every day, shorter intervals may be required. Commercial use of wood-fired pizza ovens may require chimney cleaning every 2-3 months.

No matter how much used, a chimney flue serving wood-fired appliances should be cleaned and inspected at least once every year.



NOTE

The chimney should be cleaned by a trained professional.

We recommend using a Certified chimney sweep certified by Chimney Safety Institute of America.

You can find a Certified Chimney Sweep at www.csia.org or www.ncsg.org or by calling (317) 837-5362 or (317) 837-1500.

6.3 Troubleshooting

Observation	Problem	Solution
There is no power going to the fan	<ul style="list-style-type: none"> - The circuit breaker may be off - Fan speed control is off - Bad electrical connections 	<ul style="list-style-type: none"> - Check the circuit breaker - Turn fan speed control on - Check and correct problem
There is power to the fan but it is not operating	<ul style="list-style-type: none"> - Bad electrical connections - The fan speed control's low voltage setting is too low - The fan speed control is bad 	<ul style="list-style-type: none"> - Check and correct problems with connections. Pay special attention to the wiring in the junction box - Increase the setting with the plastic screw on the fan speed control's front plate - Replace the fan speed control
There is power to the fan but it hums and does not turn	<ul style="list-style-type: none"> - The motor run capacitor may be bad. - Creosote may stick 	<ul style="list-style-type: none"> - Check capacitor and replace if necessary - Clean fan
The fan seems to work fine, but there is not enough draft	<ul style="list-style-type: none"> - The fan may be undersized 	<ul style="list-style-type: none"> - Replace with a larger fan
The fan vibrates	<ul style="list-style-type: none"> - The motor shaft may be bent 	<ul style="list-style-type: none"> - Replace motor
There is airflow noise from the fireplace opening	<ul style="list-style-type: none"> - The flue is undersized. - The fan is oversized and running too fast 	<ul style="list-style-type: none"> - There is not much to do about it. Try to reduce the fireplace opening - Reduce the fan speed
Mechanical noise can be heard	<ul style="list-style-type: none"> - Foreign matter may be stuck - Motor bearings may be worn out 	<ul style="list-style-type: none"> - Remove matters - Replace bearings

